



Brockway™ | K-3200-PAT

36" wall-mount utility sink

Features

- Single bowl
- 36" (914 mm) total width
- Teal painted underside
- Requires two K-730T70 faucets one K-8880 soap dish (sold separately)






Sustainability



Available Colors/Finishes

Color tiles intended for reference only.

-  PAT-0 Teal Exterior with White Interior
-  PAT-34 Teal Exterior with Fresh Green Interior
-  PAT-42 Teal Exterior with Aspen Interior



1-800-4KOHLER (1-800-456-4537)
Kohler Co. reserves the right to make revisions without notice to product specifications.
For the most current specification sheet, go to www.kohler.com USA or www.kohler.ca Canada.
5-12-2026 20:17 - US-CA

THE BOLD LOOK
OF **KOHLER**

Codes/Standards

ASME A112.19.1/CSA B45.2

Technical Information

| | |
|------------------------|----------------|
| Number of Deck Holes: | 4 |
| Faucet Hole(s) Size: | 1-1/2" (38 mm) |
| Soap/Lotion Hole Size: | 5/16" (8 mm) |
| Drain Hole Diameter: | 2-1/8" (54 mm) |
| Basin Configuration: | Single Bowl |

Material

- KOHLER® enameled cast iron
 - Acid-resistant enamel finish
-

Recommended Products/Accessories

K-23726 Drain treatment

K-8880 Soap dish

K-8820 Brass sink strainer for 2" outlets

K-23725 Cast iron cleaner

K-730T70-4AJR Wall-mount lavatory faucet, 1.2 gpm

K-730T70-4AR Wall-mount service sink faucet, 12 gpm

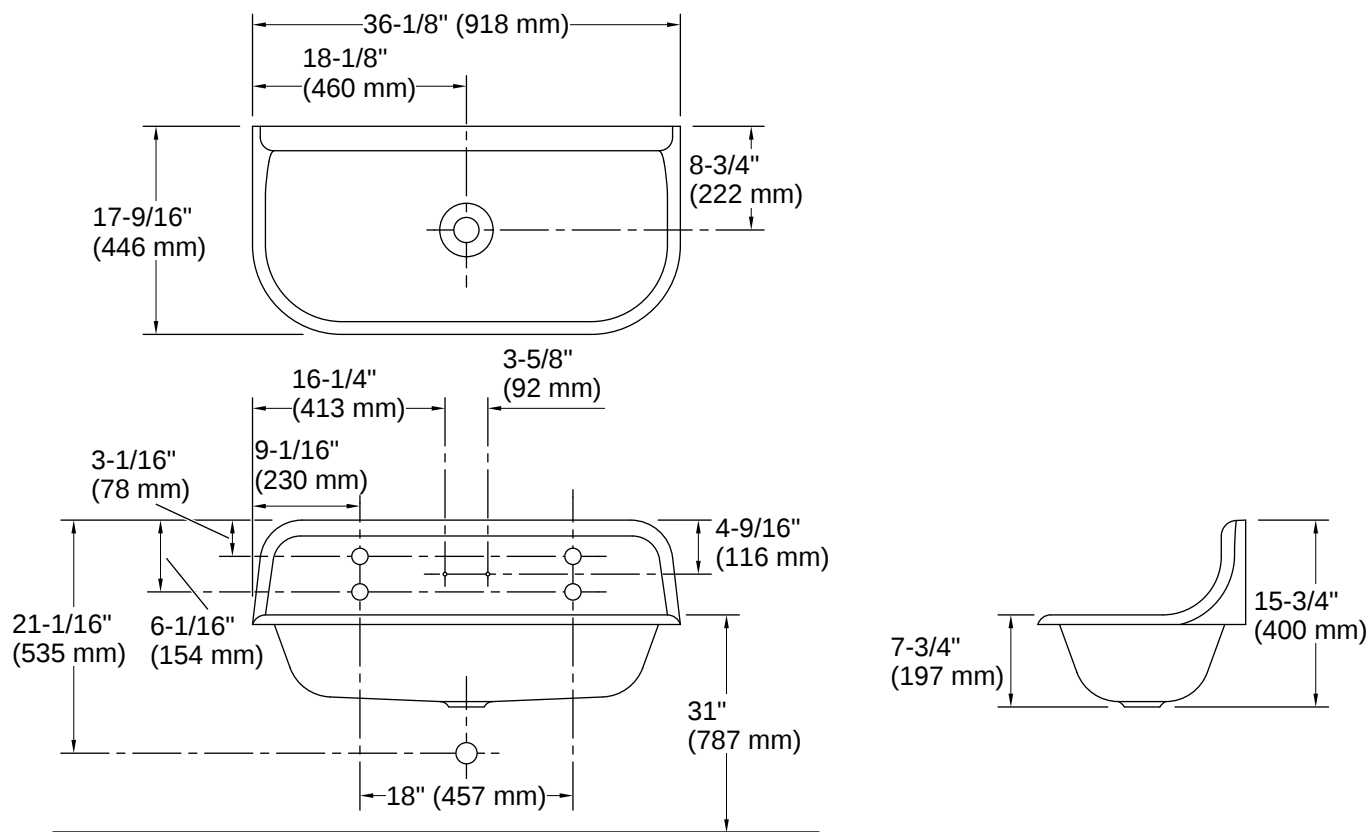
Warranty

See website for detailed warranty information.

KOHLER® Enameled Cast Iron Kitchen and Bathroom Sink Lifetime Limited Warranty



1-800-4KOHLER (1-800-456-4537)
Kohler Co. reserves the right to make revisions without notice to product specifications.
For the most current specification sheet, go to www.kohler.com USA or www.kohler.ca Canada.
5-12-2026 20:17 - US-CA



Installation

- Wall-mount

Installation Notes

Install this product according to the installation instructions.

NOTICE: Countertop manufacturer or cutter must use the current product template available at www.kohler.com or by calling 1-800-4KOHLER. Kohler Co. is not responsible for cutout errors when the incorrect cut-out template is used.

