

SONANCE

VISUAL PERFORMANCE DATA SHEET

VP60R + SQUARE ADAPTER

TECHNICAL SPECIFICATIONS

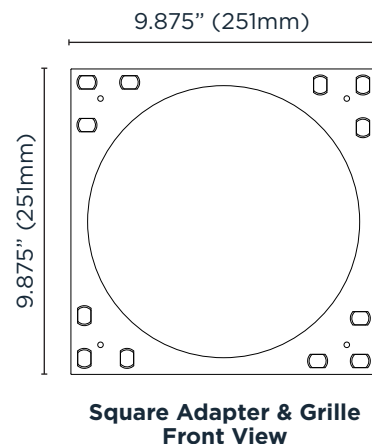
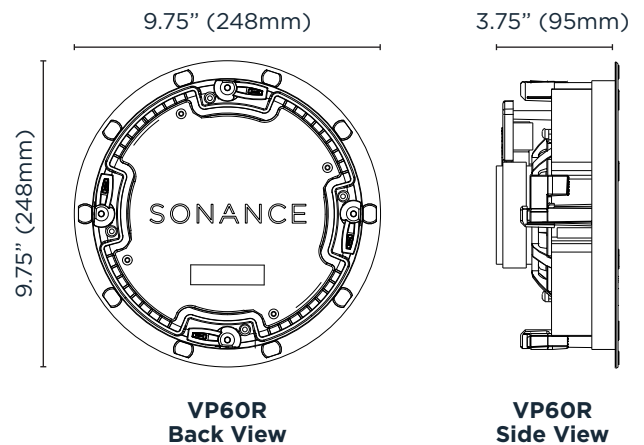
SKU	VP60R 93088
UOM	Pair
Tweeter	1" (25mm) cloth dome, Ferrofluid-cooled
Woofer	6.5" (165mm) polypropylene cone, rubber surround
Frequency Response	48Hz - 20kHz +/- 3dB
Impedance	8 Ohms nominal; 6 Ohms minimum
Power Handling (RMS)	5 watts minimum; 100 watts maximum
Sensitivity (2.83V/1m)	89dB SPL
Product Dimensions (DiaxD)	9.75" x 3.75" (248mm x 95mm)
Cut-Out Dims (WxH)	8.25" (210mm)
Shipping Weight	9 lbs. (4.1kg)

ASSOCIATED PRODUCTS

VP6SQ MODEL

Square Adapter w/ Grille / Pair	93030
Square Adapter w/ Grille / 5xPair	93033
Medium Round Retrofit Enclosure / Pair	92343
Medium Round Acoustic Enclosure / Each	91688
Medium Round Flex Bracket / 5xPair	92337
Fire-Rated Listed Deep Backcan / Each	92808
Medium Round Coverplate / Pair	92335

DIMENSIONAL DRAWINGS



LIMITED FIVE (5) YEAR WARRANTY Sonance warrants to the first end-user purchaser that this Sonance-brand product ("Product"), when purchased from an authorized Sonance Dealer/Distributor, will be free from defective workmanship and materials for the period stated above. Sonance will at its option and expense during the warranty period, either repair the defect or replace the Product with a new or remanufactured Product or a reasonable equivalent. For more details please refer to the product manual.

©2021 Sonance. All rights reserved. Sonance is a registered trademark of Dana Innovations. Due to continuous product improvement, all features and specifications are subject to change without notice. For the latest Sonance product specification information visit our website at www.sonance.com.

SONANCE • 991 Calle Amanecer • San Clemente, CA 92673 USA • Phone: (949) 492-7777 • Fax: (949) 361-5151 • Technical Support: (949) 492-7777 • www.sonance.com 03.30.2021