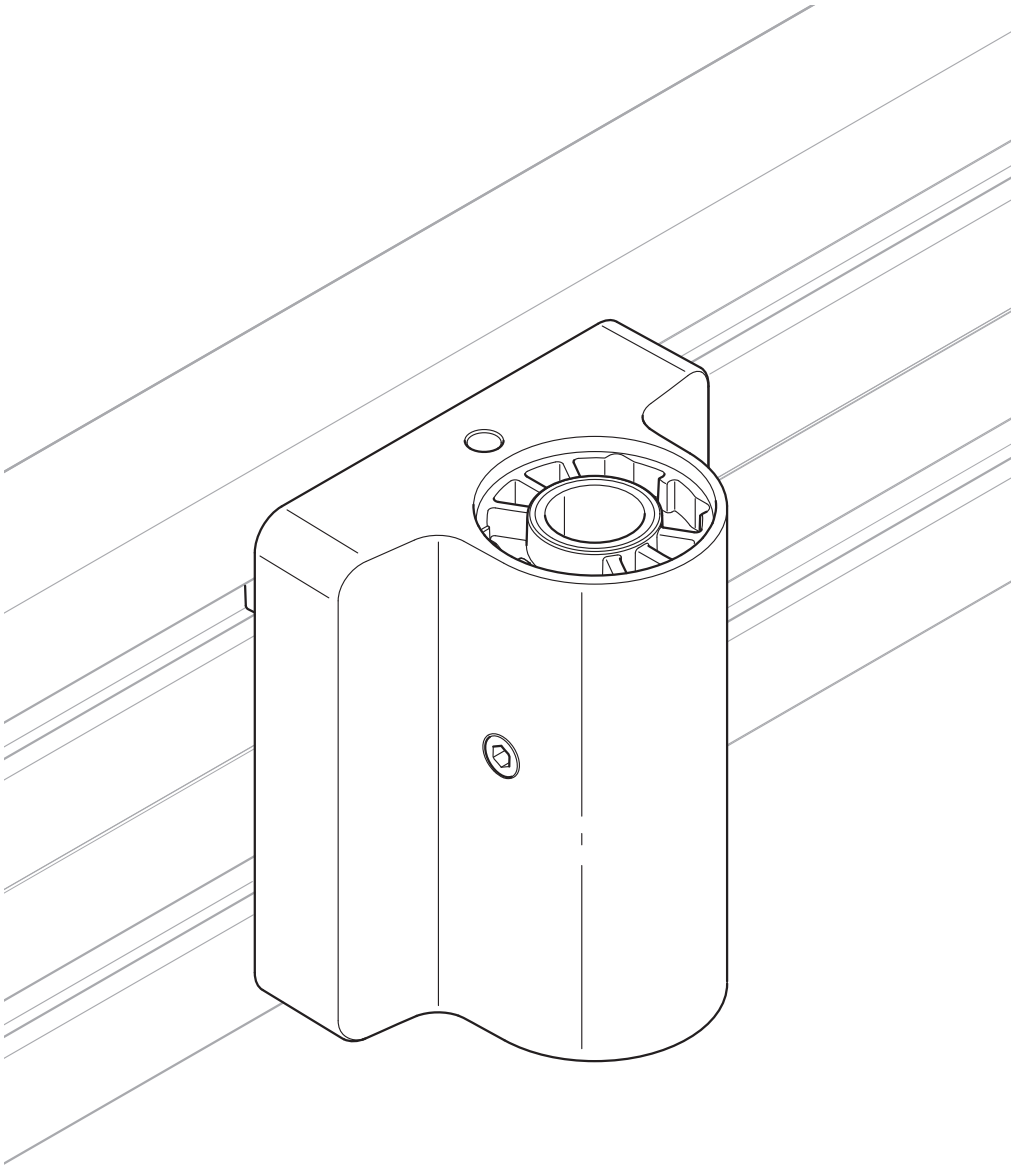
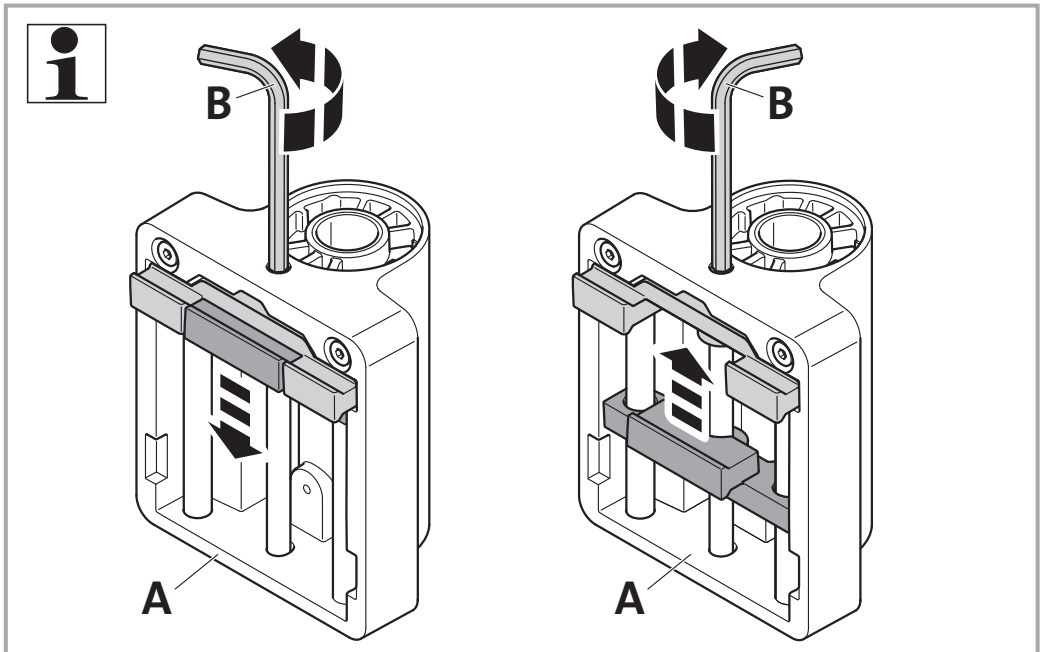
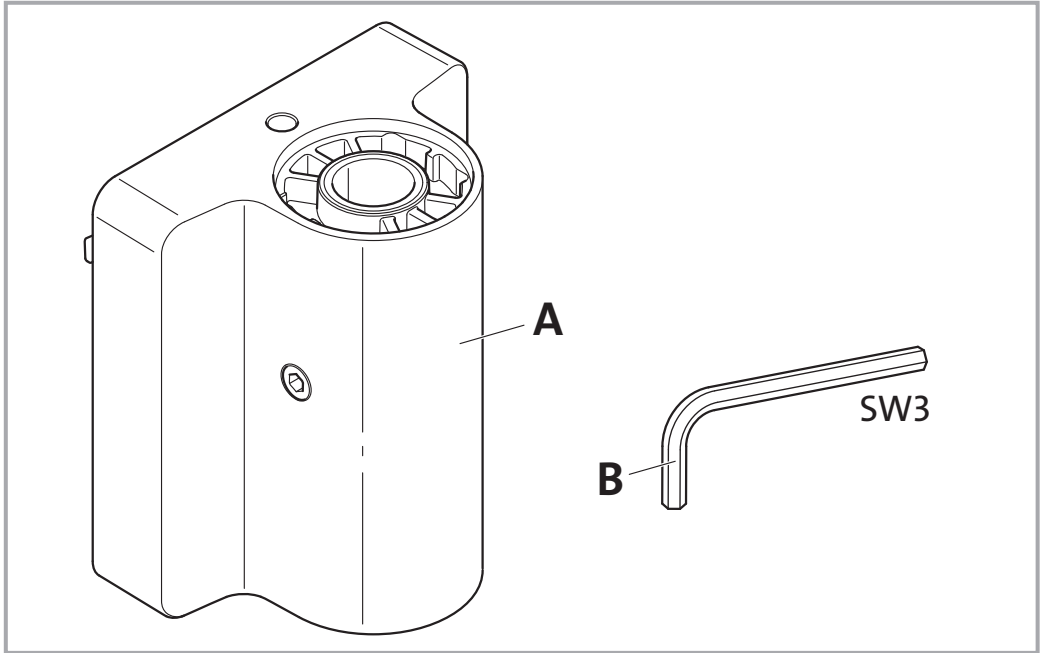




novus® **Attenzia slatwall adapter**



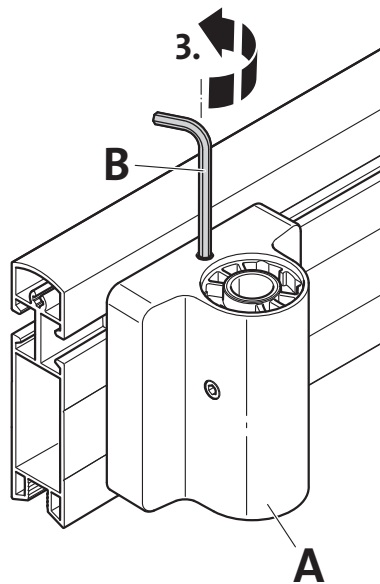
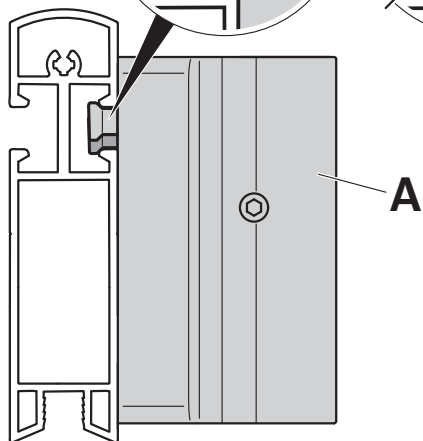
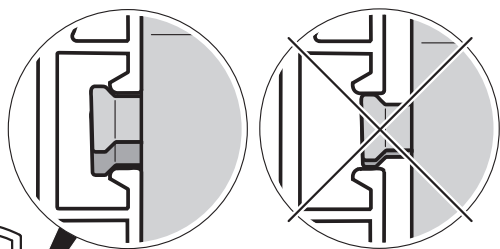
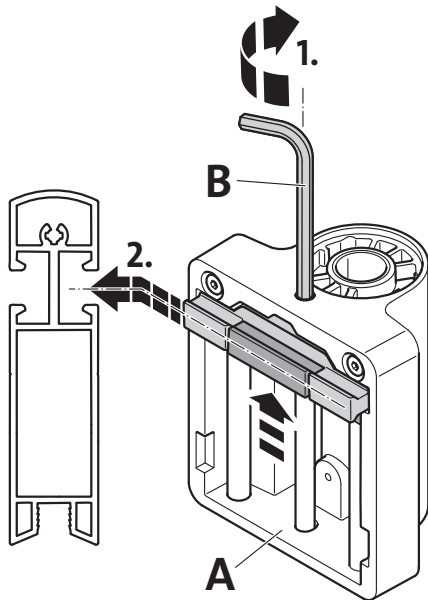
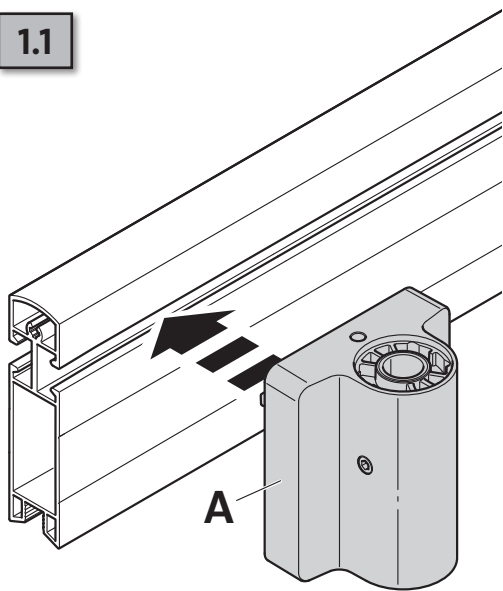


1.



NOVUS® Attenzia slatwall adapter

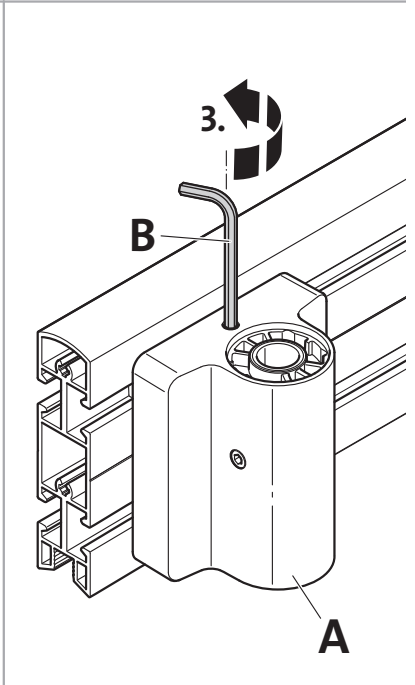
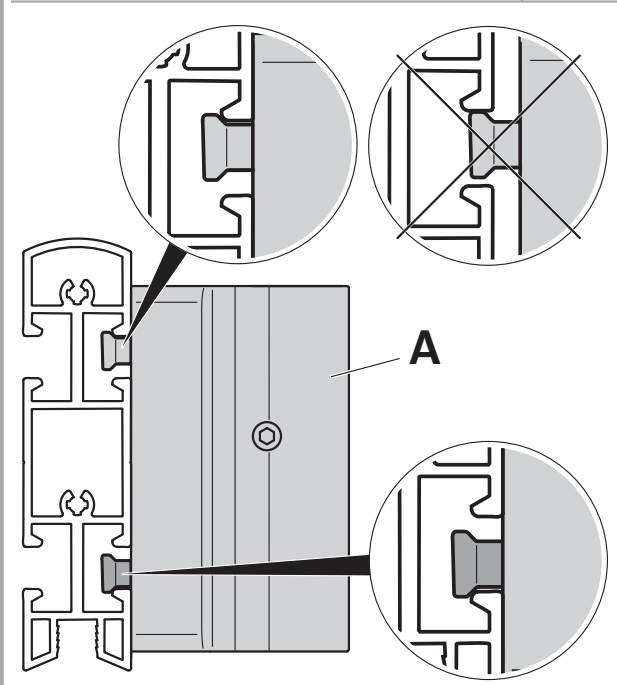
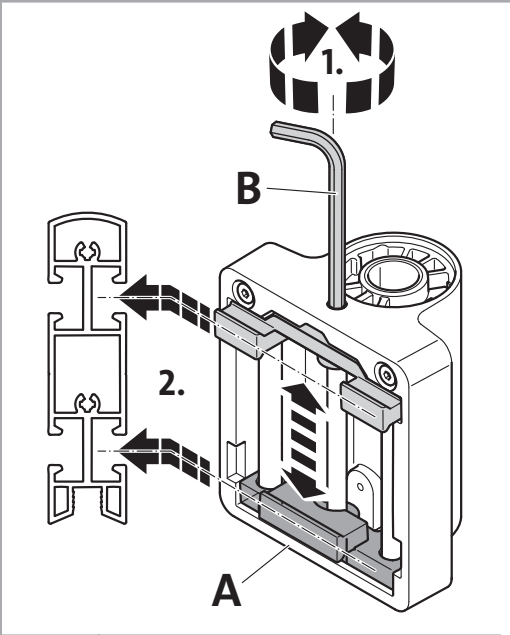
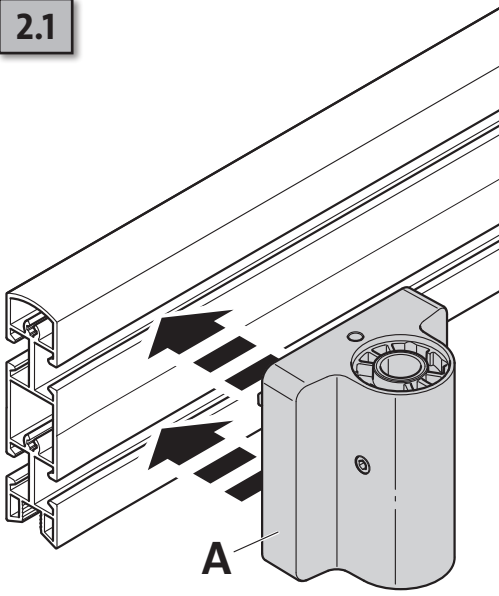
1.1



2.

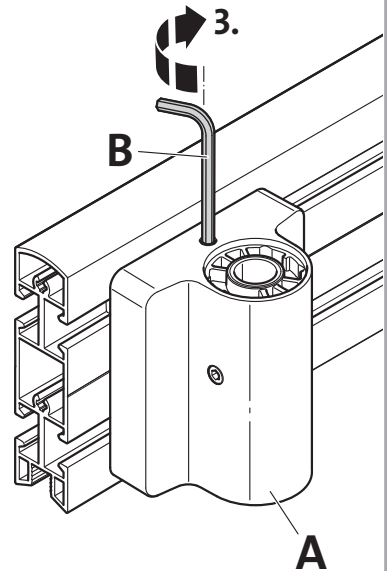
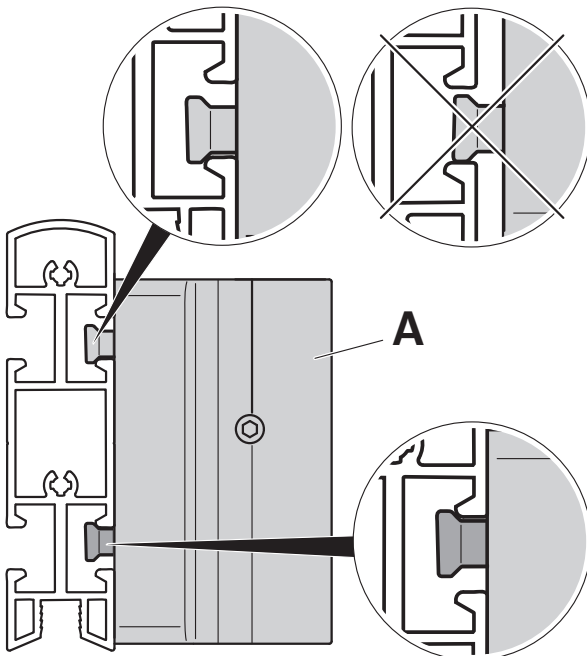
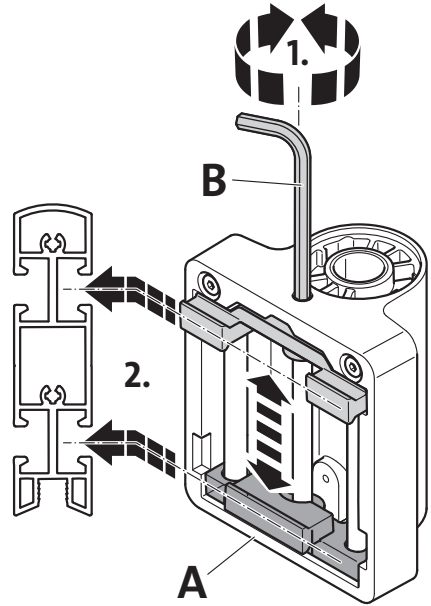
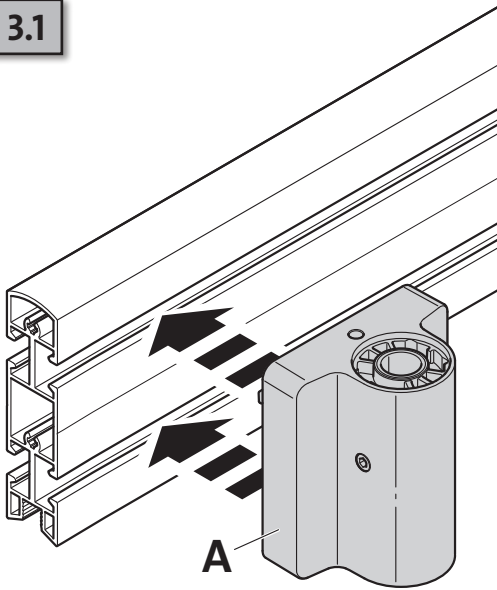


2.1





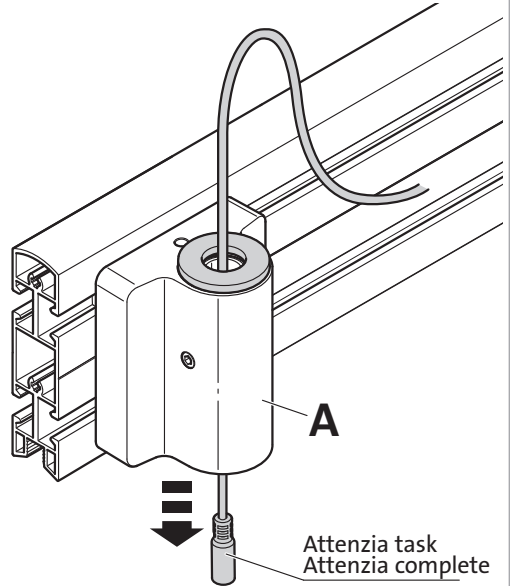
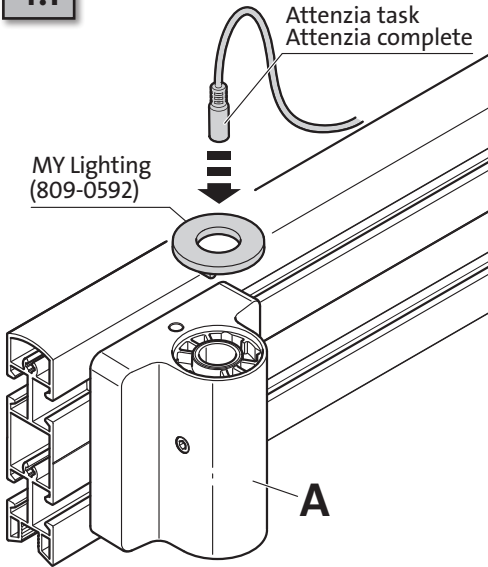
3.1



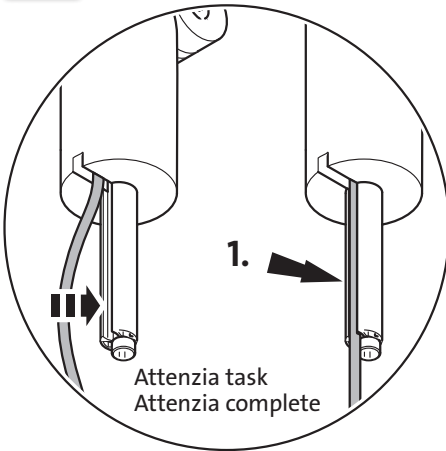
4.



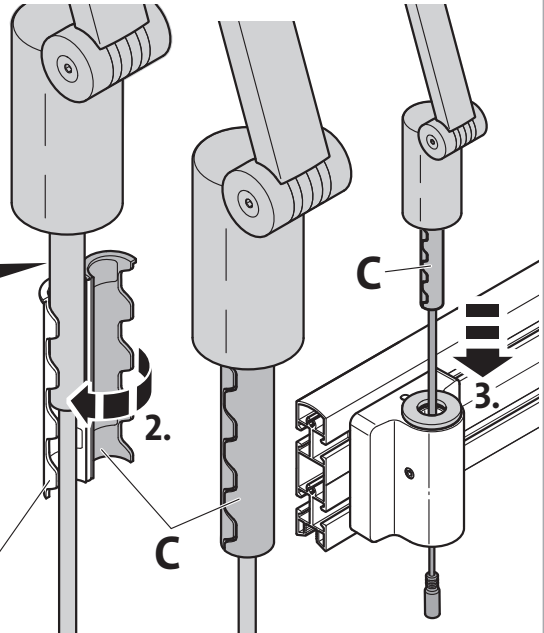
4.1



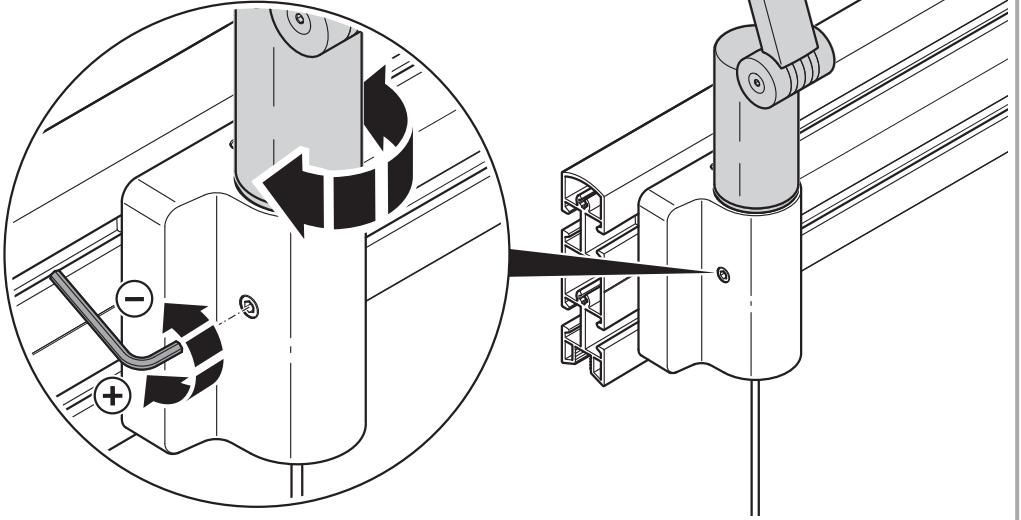
4.2



Attenzia task
Attenzia complete



4.3



NOVUS[®]

Dahle North America, Inc.
49 Vose Farm Road
Peterborough, NH 03458
Tel. (800) 995-1379
info@novusmorespace.com



www.novusmorespace.com