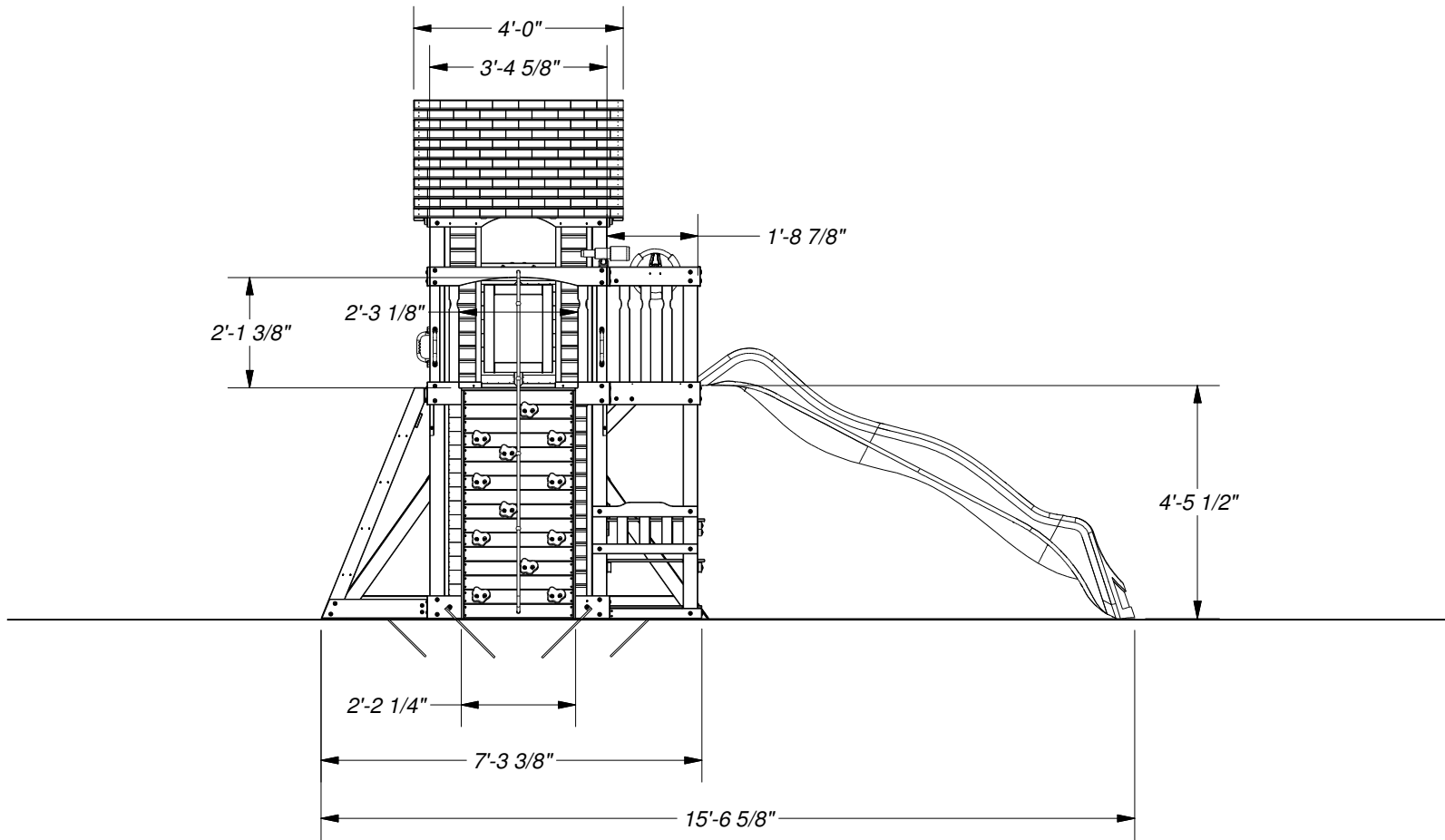


DRAWN BY	RM	DESCRIPTION	CANYON CREEK SWING SET
DATE	8/31/2016	PART NUMBER	1803022 CANYON CREEK MASTER
		REV	



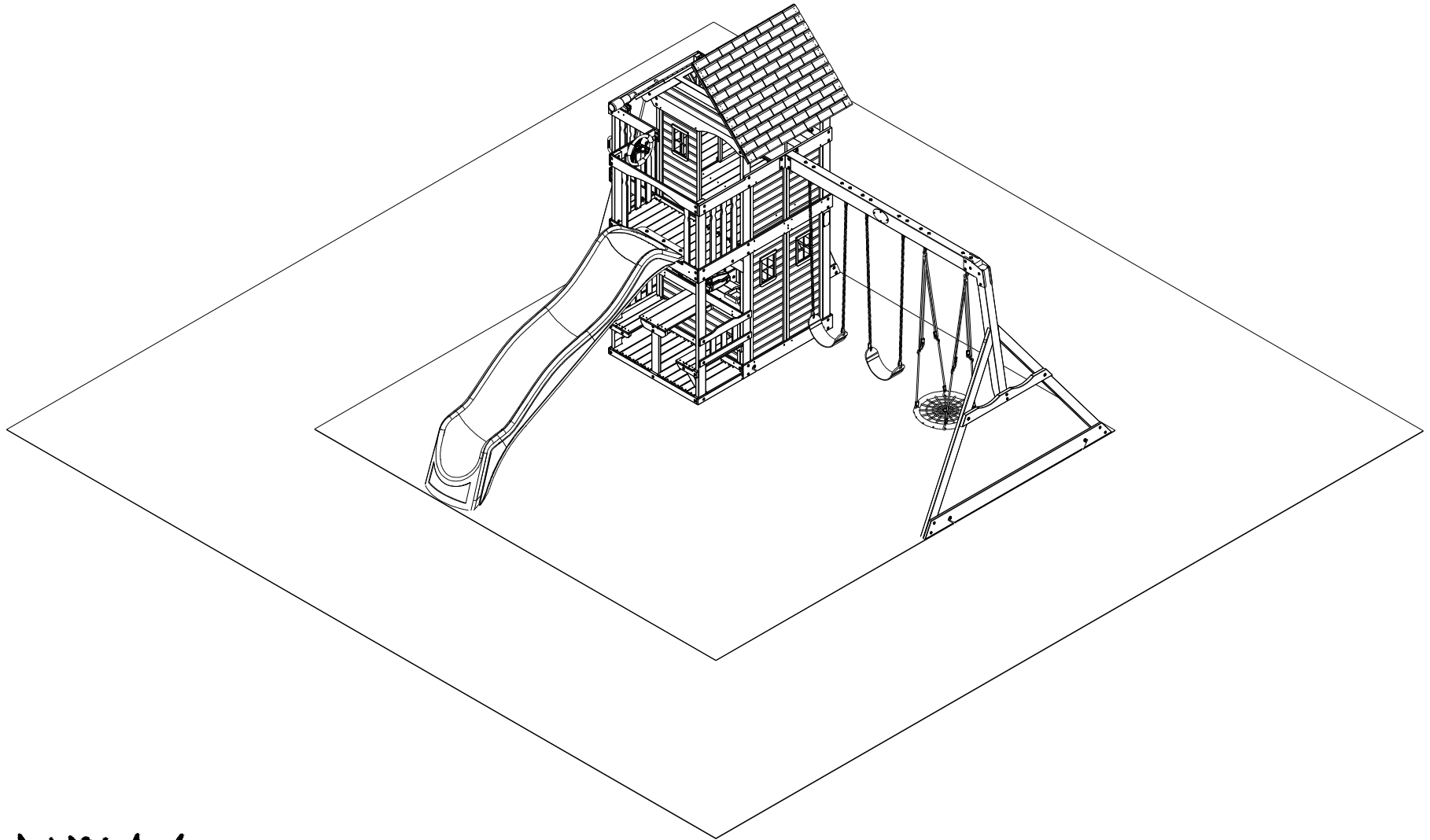
DRAWN BY	RM	DESCRIPTION	CANYON CREEK SWING SET
DATE	8/31/2016	PART NUMBER	1803022 CANYON CREEK MASTER
		REV	

Part Number

1803022 CANYON CREEK MASTER

Sheet

3 OF 3



<small>DRAWN BY</small>	RM	<small>DESCRIPTION</small>	CANYON CREEK SWING SET
<small>DATE</small>	8/31/2016	<small>PART NUMBER</small>	1803022 CANYON CREEK MASTER
		<small>REV</small>	