

Features

BRIDGE STYLE KITCHEN FAUCET WITH SIDESPRAY

Solid brass construction
Fully integrated brass valve bodies
Quarter-turn washerless ceramic disc valve cartridges
Swivel spout assembly
Solid brass pull-out sidespray assembly
11.20" (28.4 cm) spout height at outlet
9.00" (22.9 cm) spout reach (c-c)
For 8.00" (20.3 cm) centers
ADA Compliant (Handles Only)
1.8 GPM (6.8 LPM) Max

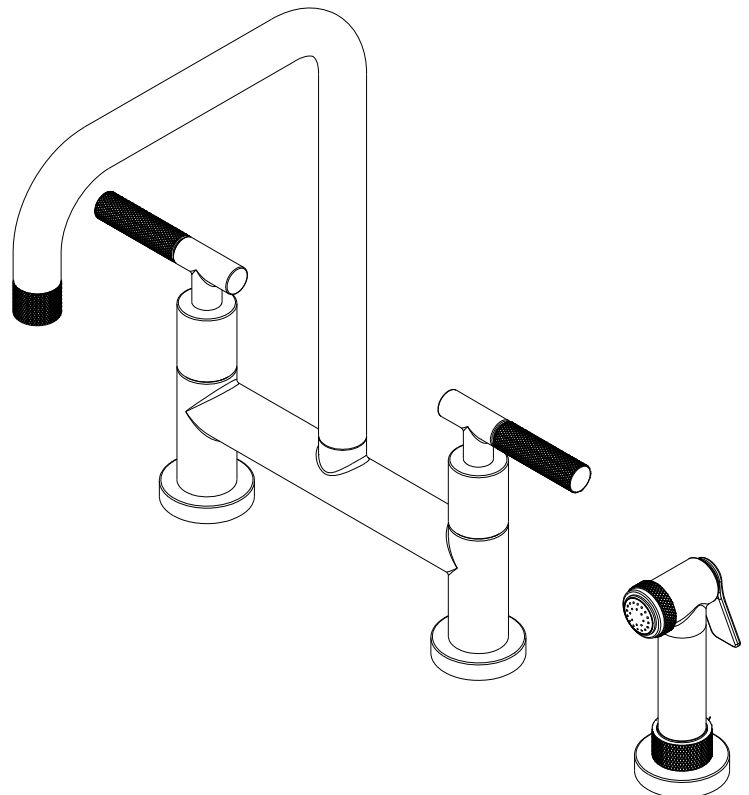
3360-5413



Codes / Standards Compliance

Meets or exceeds the following at date of manufacture:

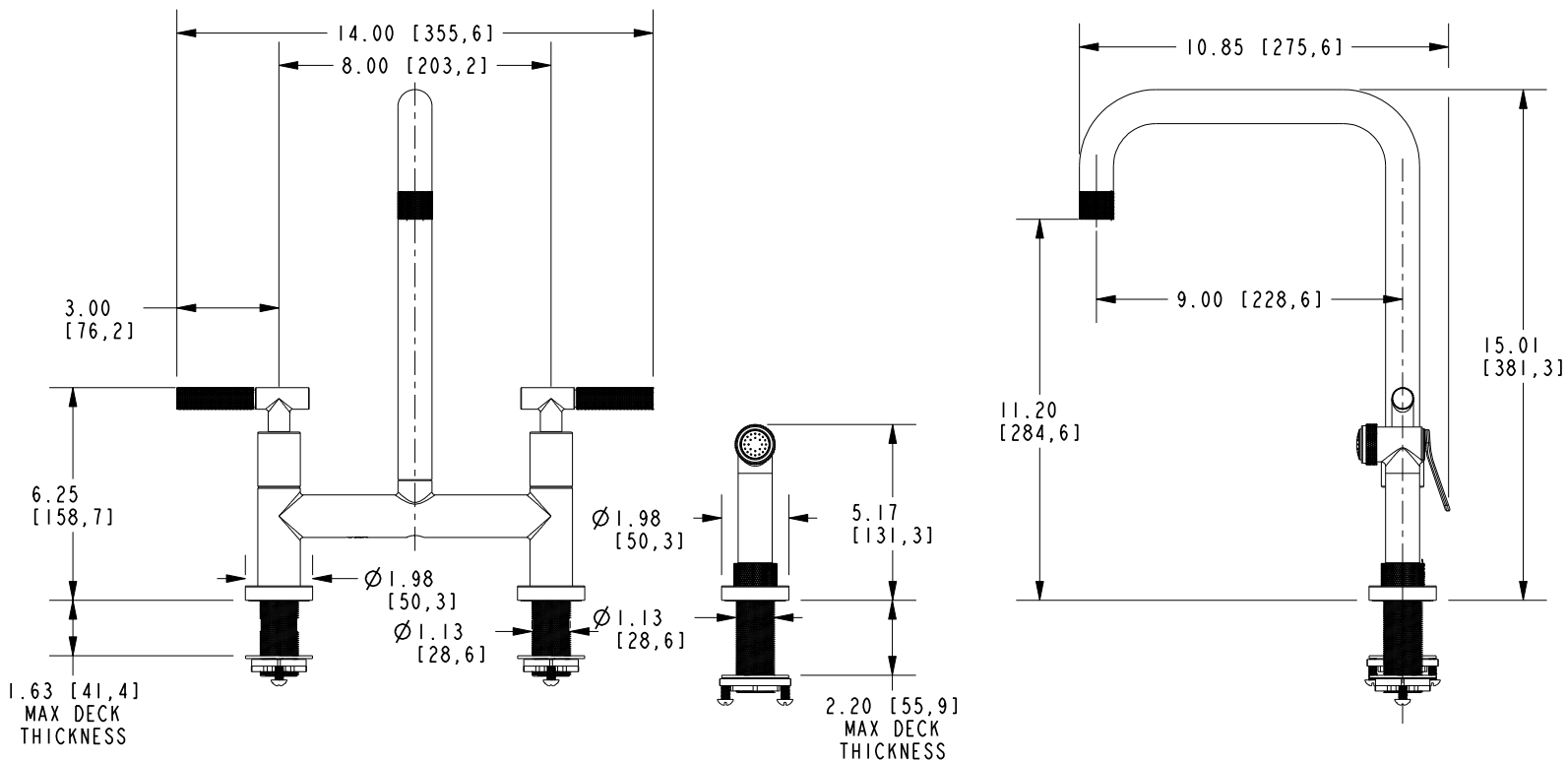
ASME A112.18.1/CSA B125.1-18
IAPMO/cUPC
NSF/ANSI/CAN 61, SECTION 9
NSF/ANSI 372
IPC
ADA & ICC/ANSI A117.1 (Handle Only)
Energy Policy Act of 1992
California Energy Commission
ASME A112.18.3 (BACK FLOW)
All applicable US Federal and State material regulations



3360-5413

PRODUCT DIMENSIONS (Units are in inches)

Product Dimensions are provided for reference only. For specific product installation guidelines, please reference the Installation Instructions of the product being installed.



BRIDGE STYLE KITCHEN FAUCET WITH SIDESPRAY

3360-5413

Page 2 of 2
EN- 4903-3
REV B

NEWPORT BRASS
Flawless Beauty. From Faucet to Finish.

t: 949.417.5207 | www.newportbrass.com
©2025 NewportBrass