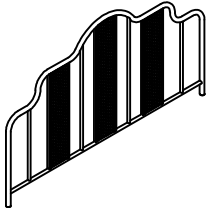


ASSEMBLY INSTRUCTION

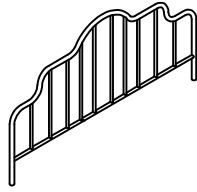
QUEEN BED

A Headboard



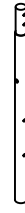
1pc

B Footboard



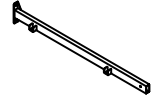
1pc

C Extension Leg



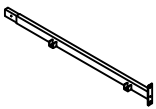
2pcs

D Side Rail - Front



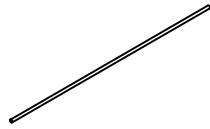
2pcs

E Side Rail - Rear



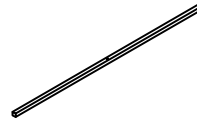
2pcs

F Bar



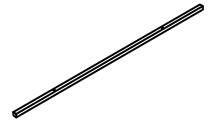
1pc

G Slat - Front / Rear



2pcs

H Slat - Center



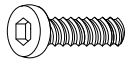
2pcs

I Support Leg



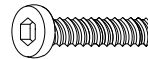
6pcs

J Bolt
Ø1/4"X1/2"



4pcs

K Bolt
Ø1/4"X3/4"



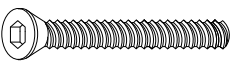
18pcs

L Bolt
Ø1/4"X1-3/4"



6pcs

M Bolt
Ø1/4"X1-3/4"



6pcs

N Flat Washer
Ø1/4"x16mm



28pcs

O Nut
Ø1/4"x11.3mm



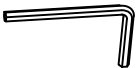
4pcs

P Wrench
11.3mm

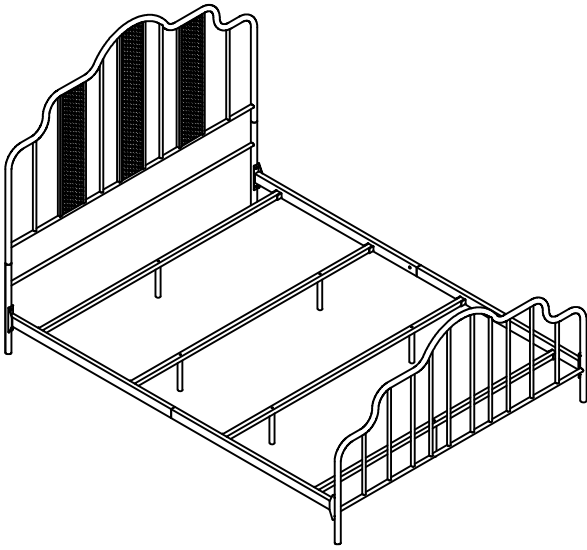


1pc

Q Allen Key
M4

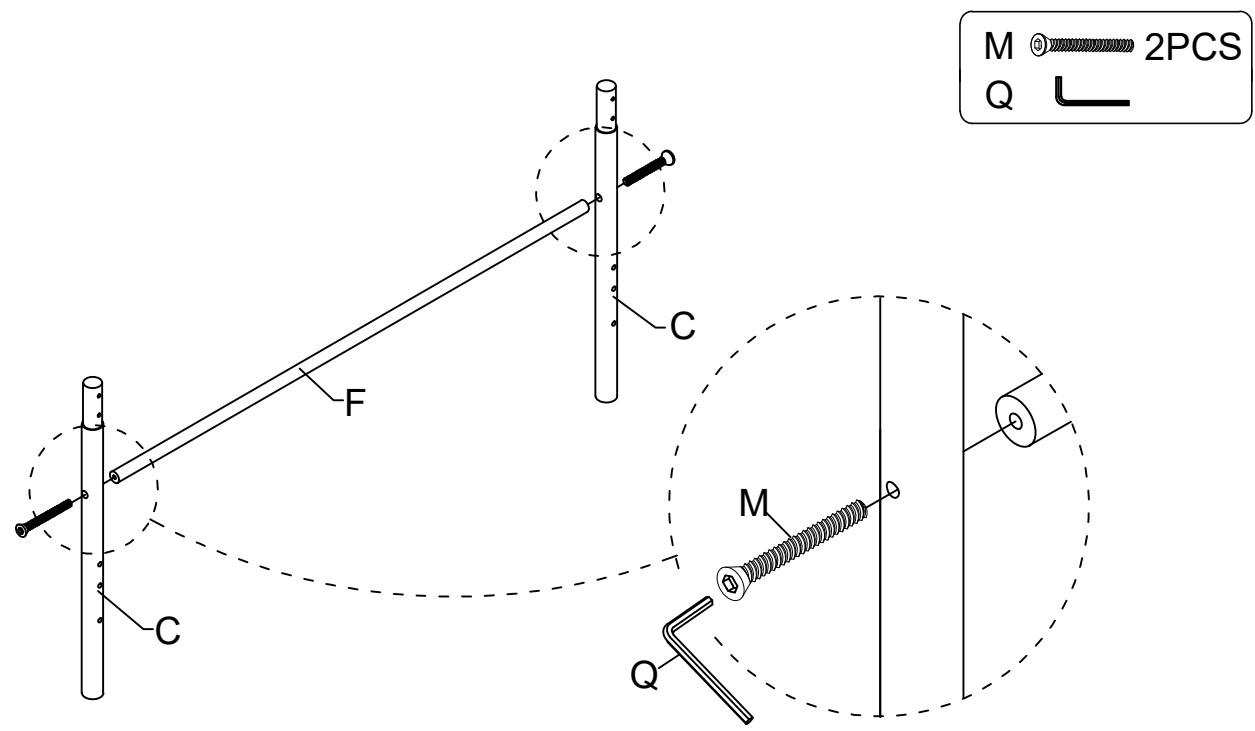


1pc

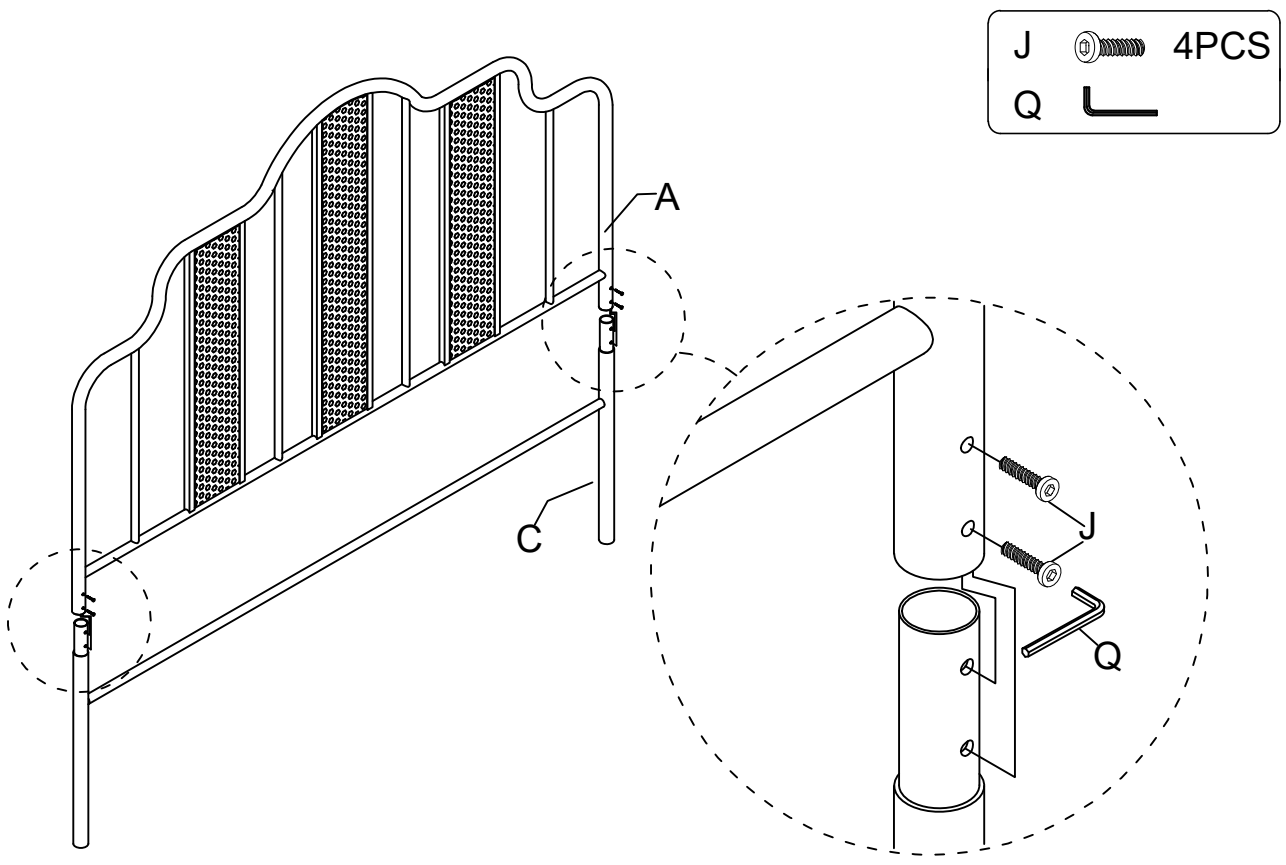


This page lists all the contents included in the box. Please take the time to identify the hardware as well as the individual components to this product. As you unpack and prepare for assembly, place the contents on a carpeted or padded area to protect them from damage.

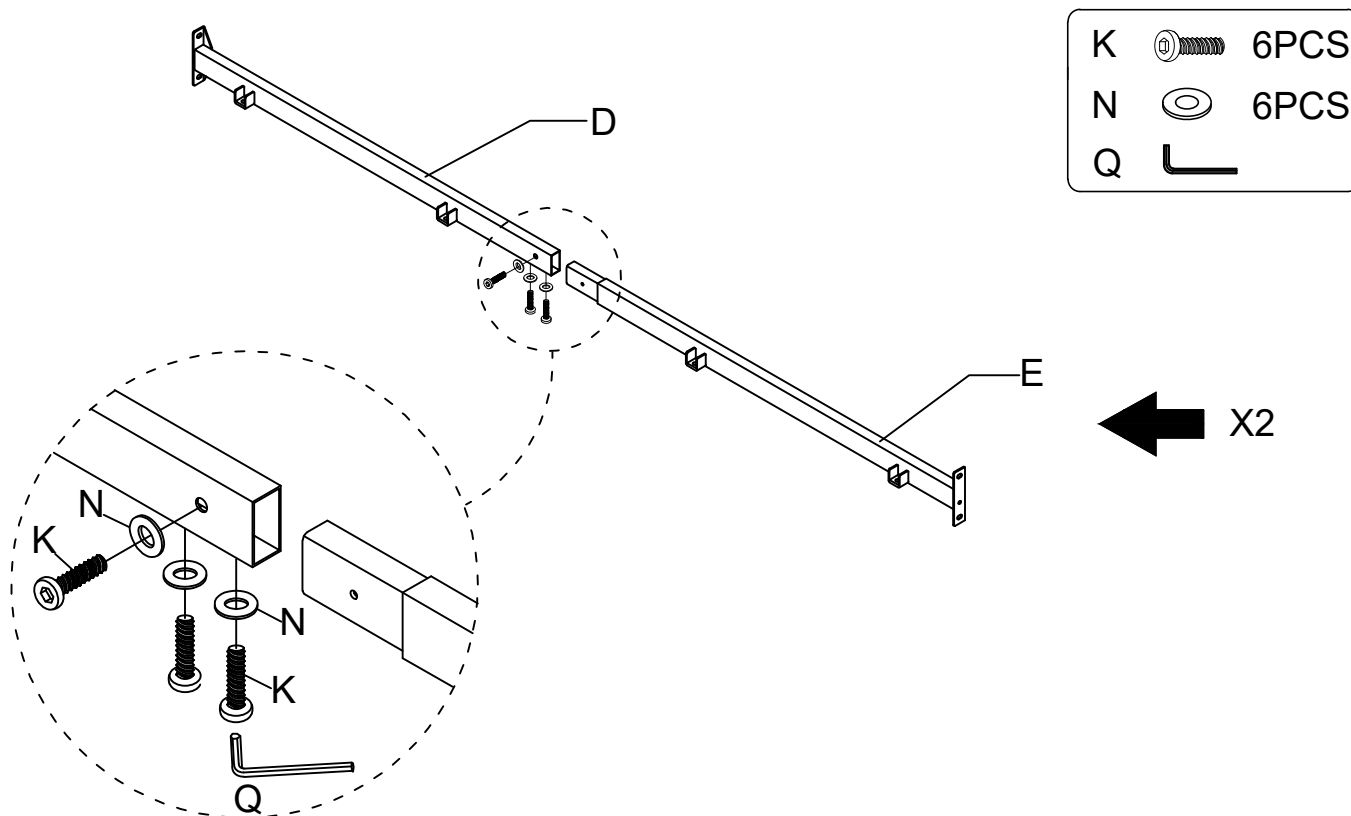
1 Assemble Bar (F) to the Extension Leg (C) with Bolt (M), then fasten by Allen Key (Q).



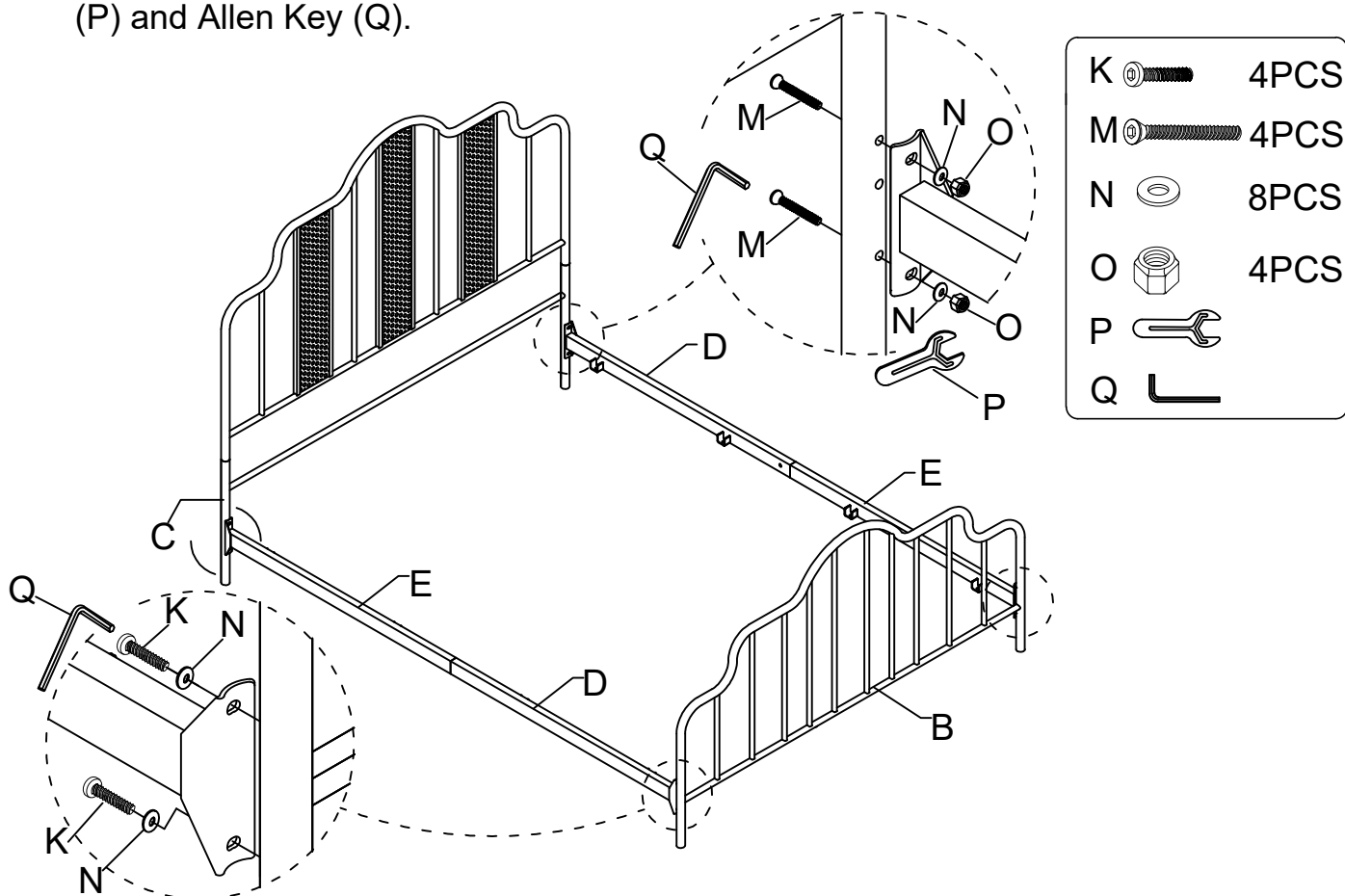
2 Assemble the Headboard (A) to the Extension Leg (C) with Bolt (J), then fasten by Allen Key (Q).



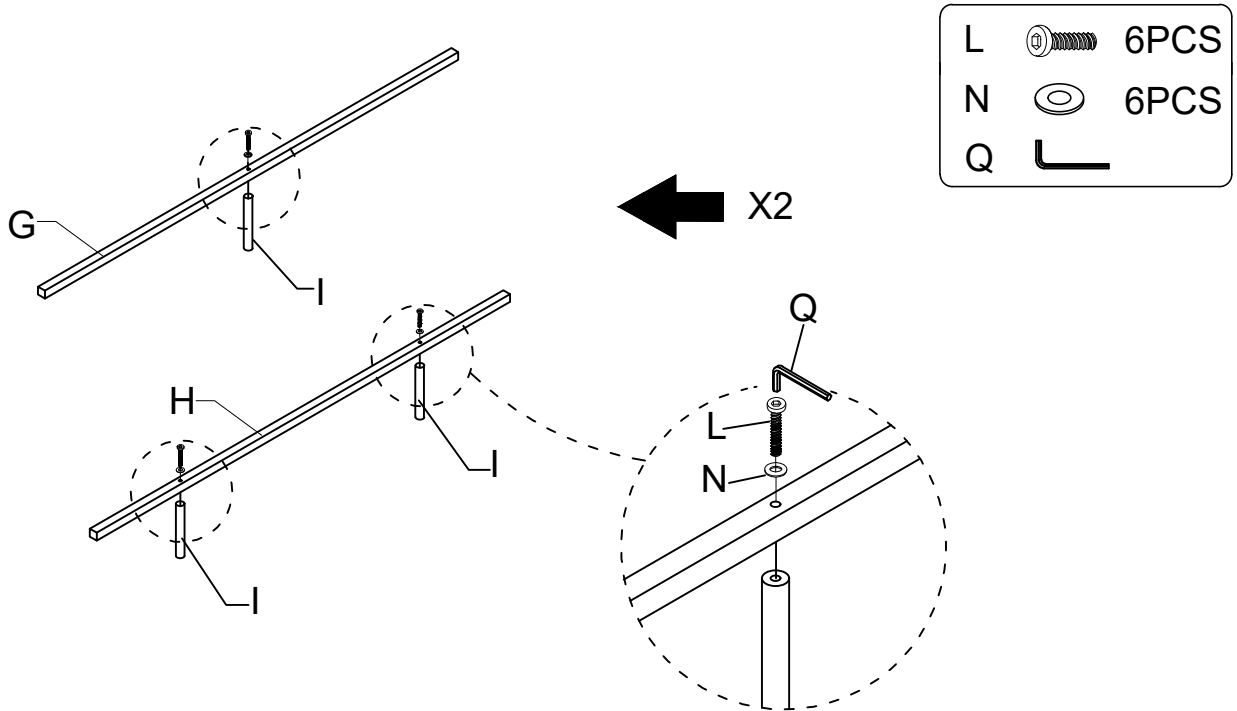
3 Connect both Side Rail - Front (D) & Side Rail - Rear (E) using Bolt (K), Flat Washer (N) by Allen Key (Q) as picture shown.



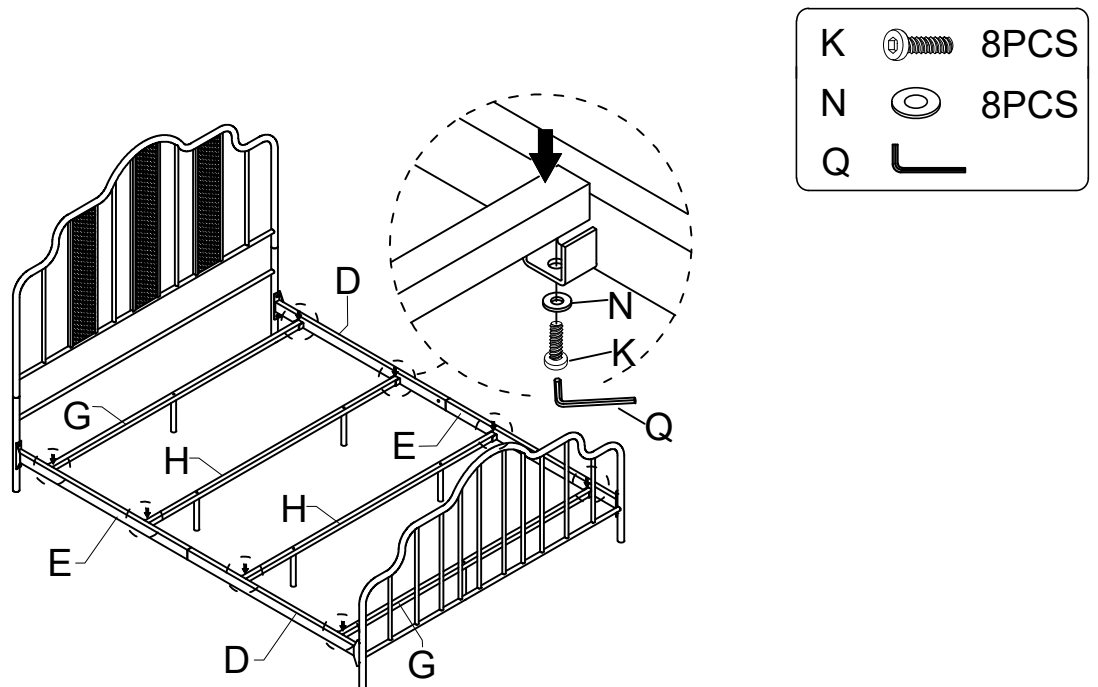
4 Attach the assembled Side Rail - Front (D) & Side Rail - Rear (E) to Extension Leg (C) and Footboard (B) using Bolt (K) & Bolt (M), Flat Washer (N), Nut (O) by Wrench (P) and Allen Key (Q).



5 Attach the Support Leg (I) to Slat - Front / Rear (G) and Slat - Center (H) using Bolt (L), Flat Washer (N) by Allen Key (Q) as picture shown.



6 Attach the pre-assembled Slat - Front / Rear (G) and Slat - Center (H) to Side Rail - Front (D) & Side Rail - Rear (E) using Bolt (K), Flat Washer (N) by Allen Key (Q) as picture shown.



Adjust any parts out of alignment and tighten all bolts and screws from steps 1 through 6.

Cleaning & Care

Treat surface with care. Surface is resistant to scratches but is not scratch resistant. Clean surfaces with a dry or damp soft cloth. Do not use abrasive cleaners. Hardware may loosen over time. Periodically check that all connections are tight.