

SONANCE

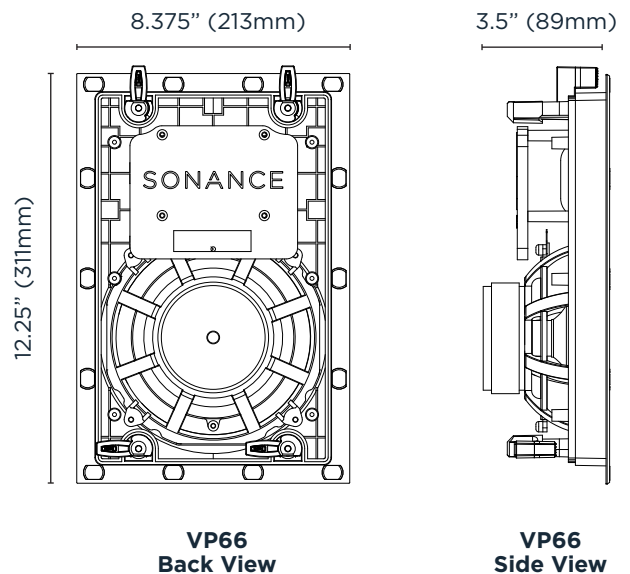
VISUAL PERFORMANCE DATA SHEET

VP66

TECHNICAL SPECIFICATIONS

SKU	VP66 93004
UOM	Pair
Tweeter	1" (25mm) powder coated aluminum dome, Ferrofluid-cooled, pivoting, acoustic back chamber
Woofers	6.5" (165mm) Kevlar/Nomex laminated cone, rubber surround
Frequency Response	43Hz - 20kHz +/- 3dB
Impedance	8 Ohms nominal; 6 Ohms minimum
Power Handling (RMS)	5 watts minimum; 140 watts maximum
Sensitivity (2.83V/1m)	90dB SPL
Product Dimensions (DxHxD)	8.375" x 12.25" x 3.5" (213mm x 311mm x 89mm)
Cut-Out Dims (WxH)	6.9375" x 10.75" (176mm x 372mm)
Shipping Weight	10 lbs. (4.5kg)

DIMENSIONAL DRAWINGS



ASSOCIATED PRODUCTS

MEDIUM RECTANGLE MODEL

Rectangle Retrofit Enclosure / Pair	92342
Rectangle Flex Bracket / 5xPair	92336
Rectangle Masonry Bracket / Pair	92066
Fire-Rated Listed Deep Backcan / Each	92807
Coverplate / Pair	92334
Rectangle Staple Template / 5xPair	900651
Rectangle Acoustic Enclosure / Each	91687

LIMITED FIVE (5) YEAR WARRANTY Sonance warrants to the first end-user purchaser that this Sonance-brand product ("Product"), when purchased from an authorized Sonance Dealer/Distributor, will be free from defective workmanship and materials for the period stated above. Sonance will at its option and expense during the warranty period, either repair the defect or replace the Product with a new or remanufactured Product or a reasonable equivalent. For more details please refer to the product manual.

©2021 Sonance. All rights reserved. Sonance is a registered trademark of Dana Innovations. Due to continuous product improvement, all features and specifications are subject to change without notice. For the latest Sonance product specification information visit our website at www.sonance.com.

SONANCE • 991 Calle Amanecer • San Clemente, CA 92673 USA • Phone: (949) 492-7777 • Fax: (949) 361-5151 • Technical Support: (949) 492-7777 • www.sonance.com 03.30.2021