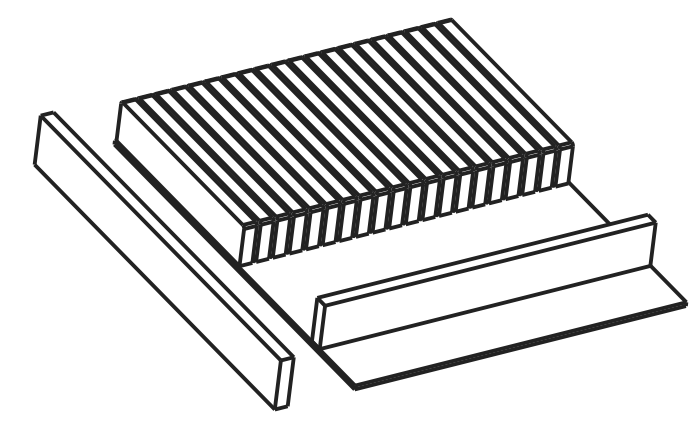
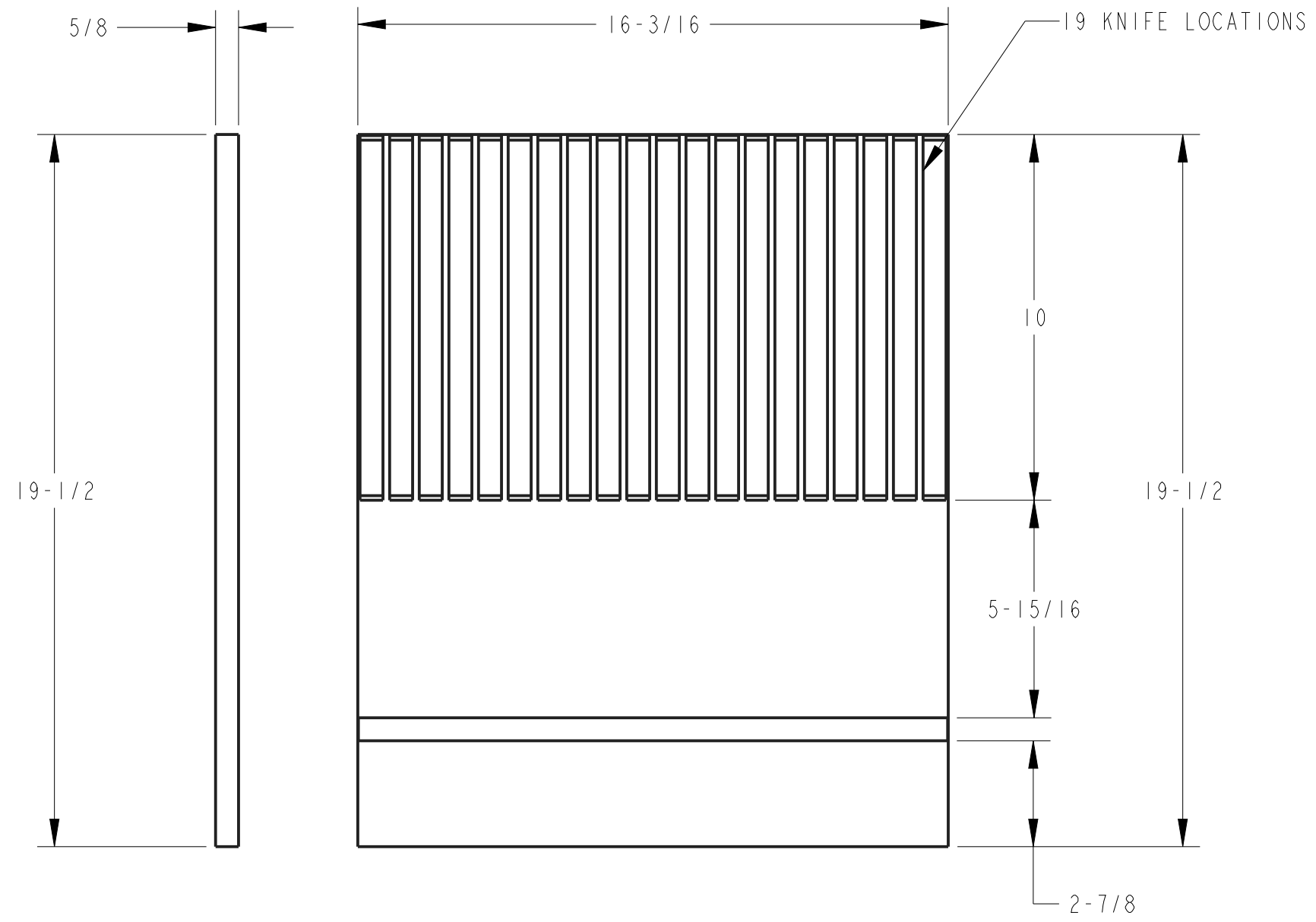


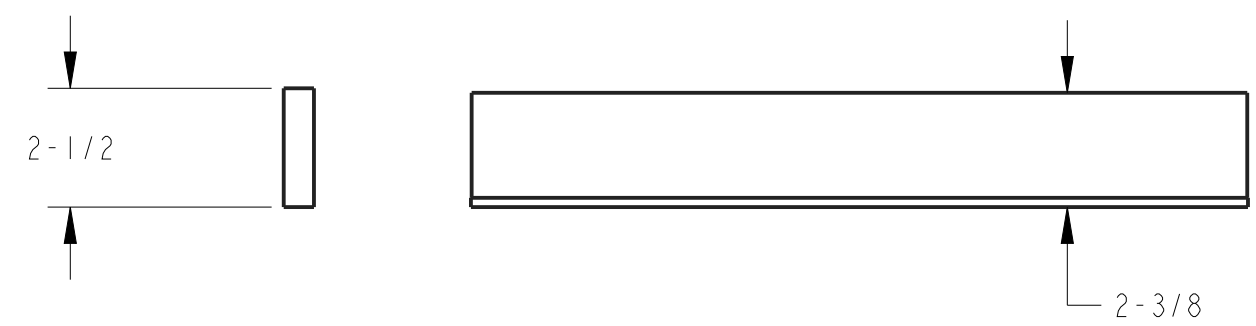
8 7 6 5 4 3 2 1

F E D C B A



SCALE 0.125

TRANSITION BOARD
INSTALLATION OPTIONAL



THIRD ANGLE PROJECTION					hardware resources		
MATERIAL BIRCH & BIRCH PLYWOOD	FINISH UV COATING						
DRAWN BY GREG DAVIS		DATE 19MAR2021		18" DROP-IN KNIFE BLOCK DRAWER INSERT			
DESIGNED BY GREG DAVIS		DATE 19MAR2021		DRAWING KO18-B21		REV A	
APPROVED BY E.GOLESTANYAN		DATE 25MAR2021		SIZE A3	SCALE 0.250	SHEET 1 / 1	

DOCUMENT STATUS Released

HARDWARE RESOURCES RESERVES THE RIGHT TO CHANGE SPECIFICATIONS WITHOUT NOTICE.
IN CASE OF A DISCREPENCY, ACTUAL PART GEOMETRY SUPERSEDES THIS DOCUMENT.

THE INFORMATION CONTAINED WITHIN THIS DRAWING IS THE SOLE PROPERTY OF HARDWARE RESOURCES INC. ANY REPRODUCTION IN PART OR WHOLE WITHOUT WRITTEN PERMISSION OF HARDWARE RESOURCES INC. IS PROHIBITED.

8 7 6 5 4 3 2 1