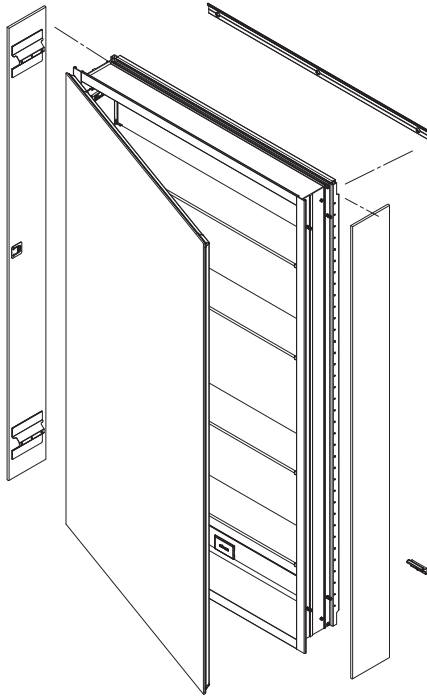




PL PORTRAY CABINET SURFACE MOUNT INSTALLATION

Important safety instructions - Save these instructions



CONTENTS

- Tools Needed - **2**
- Parts - **2**
- Installing the Mounting Bar - **3**
- Hanging the Cabinet - **5**
- Final Assembly - **7**
- Use and Maintenance - **8**
- Warranty - **8**

GENERAL INFORMATION

This instruction manual contains information on how to surface mount a PL Portray Series cabinet. These cabinets are available in different sizes. Read the specific instruction for how your cabinet(s) will be mounted. Electrical options may be provided with your cabinet(s).

Save these instructions for future use and reference. An improper installation voids the warranty. Carefully inspect the cabinet for damage prior to installation. Installed products cannot be returned.

If you experience any problems with your Robern product, contact your dealer or Robern directly.

Limited Warranty — One Year Term

[Scan the QR code to see the entire PL Portray Series of cabinets.](#)



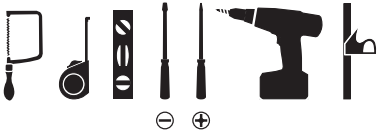
Use the camera app on your mobile device to look at this and other QR codes. This will allow you to quickly access web pages and other relevant documents.



© 2020 Robern, Inc. 701 N. Wilson Ave. Bristol, PA 19007 U.S.A.
800.877.2376 www.robern.com

Part no. CB-209-1347 10/30/20
PL Portray Cabinet Surface Mount Installation

TOOLS NEEDED



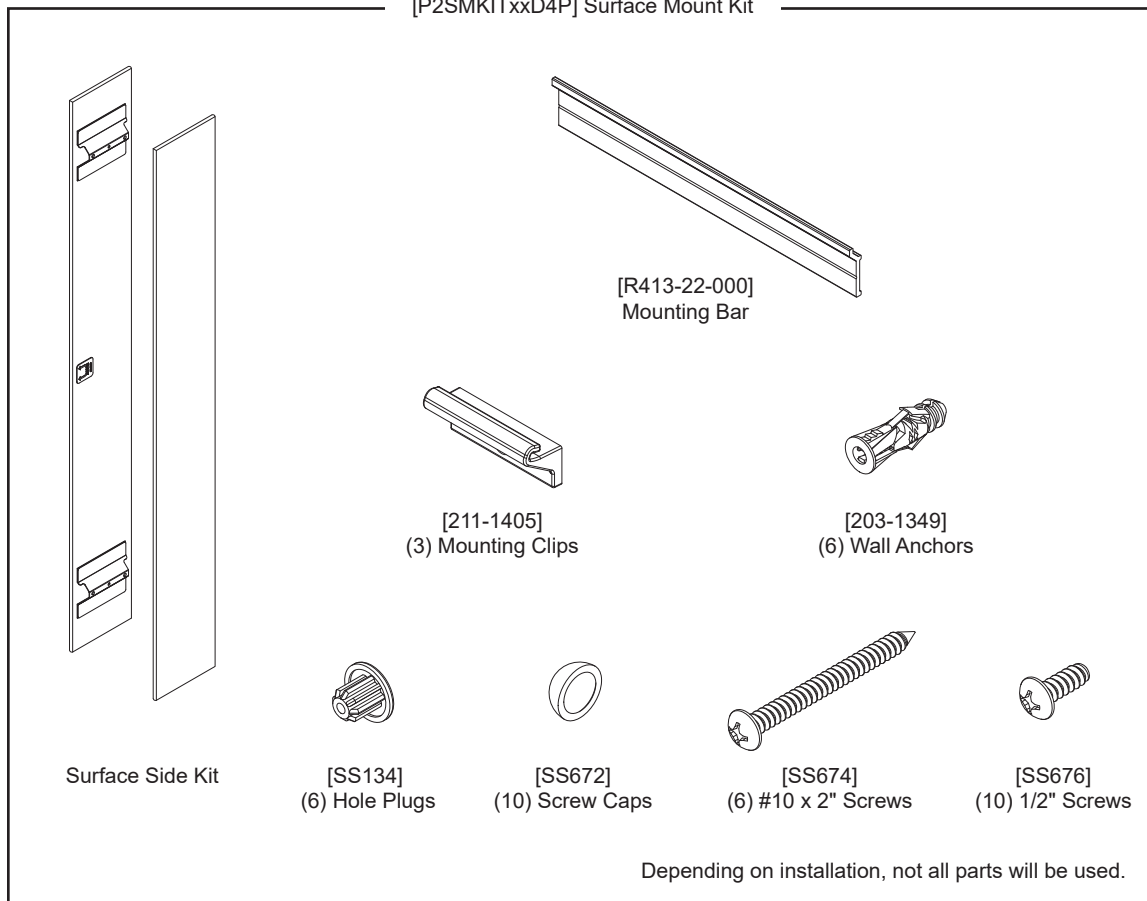
PARTS

NOTE: Refer back to the cabinet installation manual (209-1350) for a complete list of parts included with your cabinet.

[Quickly access the cabinet installation manual by scanning the QR code.](#)



[P2SMKITxxD4P] Surface Mount Kit



robern

© 2020 Robern, Inc. 701 N. Wilson Ave. Bristol, PA 19007 U.S.A.
800.877.2376 www.robern.com

Installation instructions

INSTALLING THE MOUNTING BAR

These instructions are for surface mounting your cabinet, supplied with surface side kit (P2SMKITxxD4P).

Note: The chart below outlines the total mounting bar length required for each cabinet. The supplied bar is 22" in length and may need to be cut to fit your cabinet width.

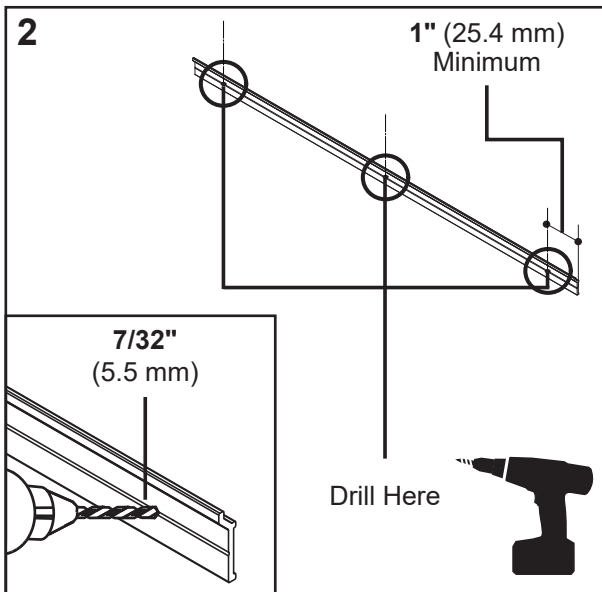
Note: The mounting bar is intentionally left without mounting holes drilled into it. Holes need to be drilled once the mounting bar is determined to be of appropriate length. The location of these holes will depend on where structural supports are located in the wall to be mounted on.

Cabinet Width	Cut Mounting Bar To This Length
12" (305 mm)	10" (254 mm)
16" (406 mm)	14" (356 mm)
20" (508 mm)	18" (457 mm)
24" (610 mm)	DO NOT CUT MOUNTING BAR

1. Refer to the mounting bar requirements (below) making sure that all requirements are met when installing the mounting bars.

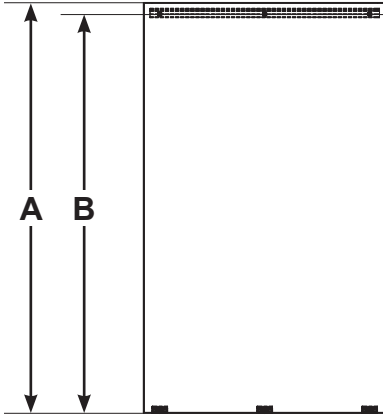
- Total length of mounting bar(s) must equal that shown in chart above
- At least one screw in each mounting bar MUST be installed in a structural member (stud, etc.)
- At least two mounting screws must be used in mounting bar.

2. Locate and drill at least two 7/32" (5.5 mm) holes through the indent line on the Mounting Bar, as required to mount the bar, meeting the above requirements. Screws not mounted in a structural member (stud, etc.) should use the supplied plastic anchors.



INSTALLING THE MOUNTING BAR

3. Center Z Mounting Bar at cabinet location. Make sure cabinet will be mounted at least 1" (25mm) above fixtures. See the table below for mounting bar height based on your specific cabinet model.

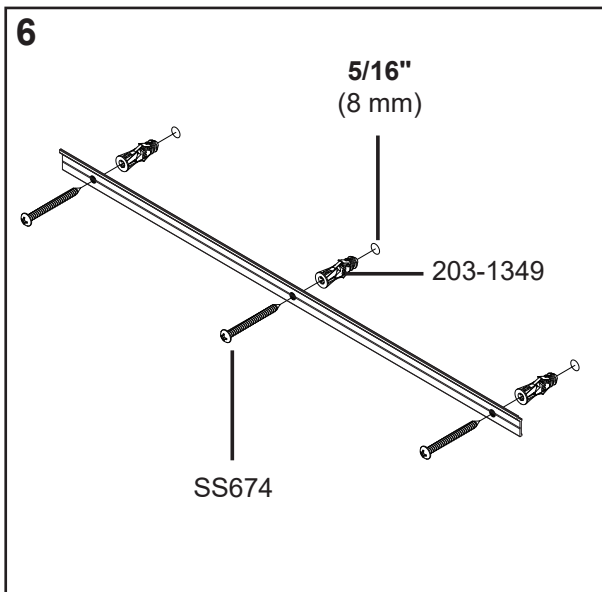


Cabinet Height	(A) Overall Cabinet Height	(B) Height of mounting bar hole locations
20	20" (508 mm)	18-7/8" (479 mm)
26	26" (660 mm)	24-7/8" (632 mm)
30	30" (762 mm)	28-7/8" (733 mm)
36	36" (914 mm)	34-7/8" (886 mm)
40	39-3/8" (1000 mm)	38-1/4" (972 mm)

4. Make sure that the mounting bar is level when securing it to the wall. Use #10 X 2" screws [SS674] provided to attach the mounting bar to the wall. Pre-drill a 3/32" (2 mm) pilot hole if going into a stud.

5. If no stud or structural member is available, use the provided wall anchors [203-1349], making sure that each cabinet is supported by at least 2 anchors. Drill a 5/16" (8 mm) hole for wall anchors and insert the wall anchor into hole until the anchor flange is flush with the wall.

6. Use #10 X 2" screws [SS674] and tighten until there is a strong resistance. DO NOT OVER TIGHTEN.

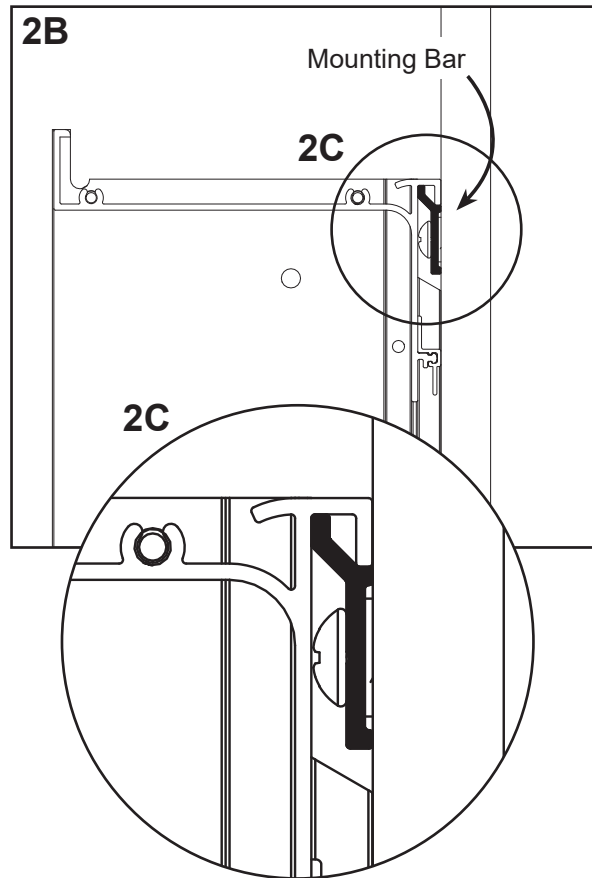
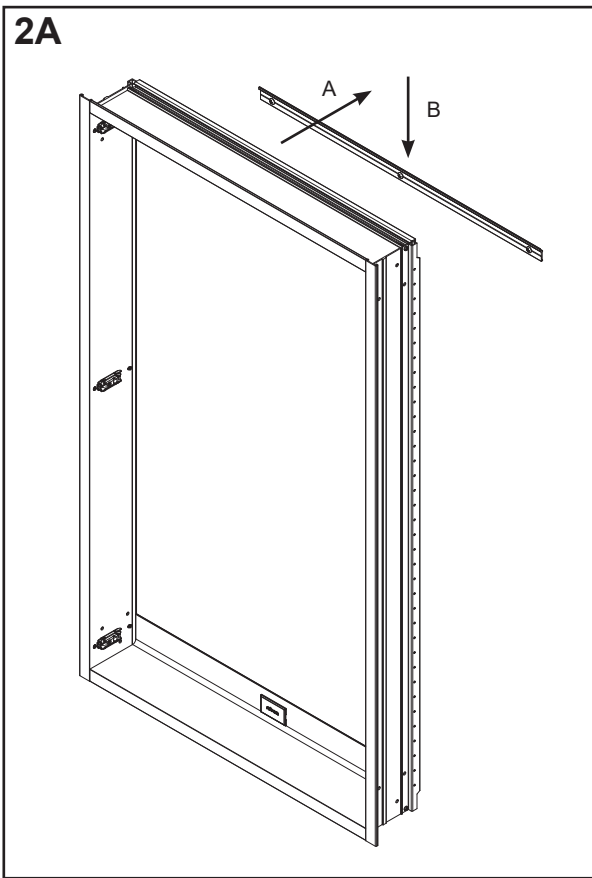
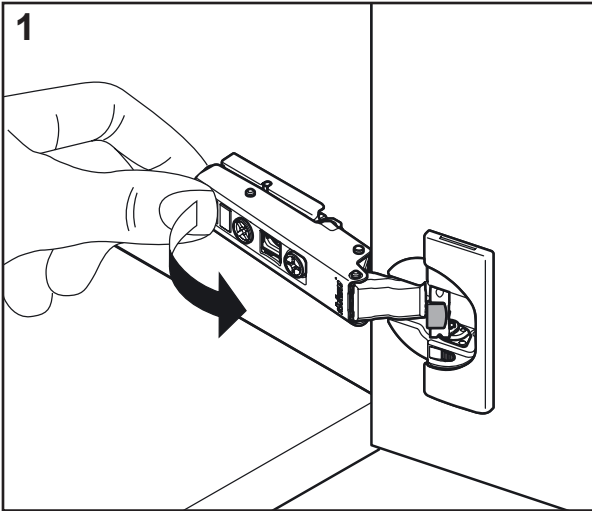


HANGING THE CABINET

Before beginning installation remove and set the door aside in a safe place.

NOTE: The cardboard sleeve attached to the door protects the edges and corners of the door during installation.

1. Remove doors from cabinet by taking the hinges off of the mounting plates.
2. Lift the cabinet and place the cabinet onto the Mounting Bar.



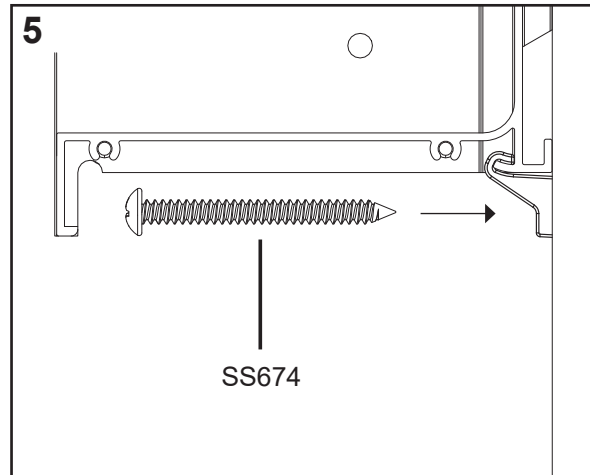
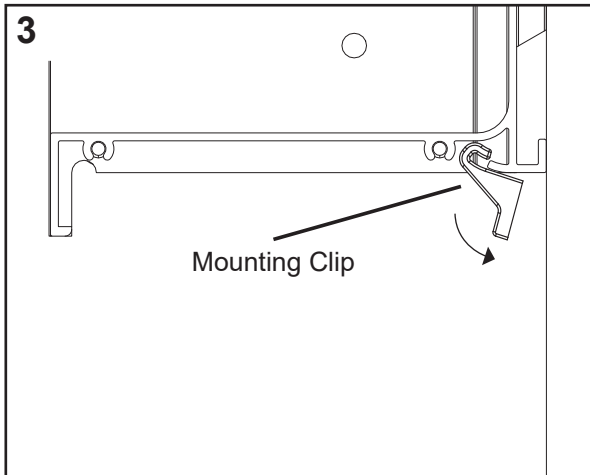
HANGING THE CABINET

3. Attach mounting clips [211-1405] onto the cabinet as shown (some components have been hidden for clarity).

- At least one clip per cabinet **MUST** be installed in a structural member (stud, etc.)
- At least two clips must be installed per cabinet.

4. If no stud or structural member is available, use the provided wall anchors [203-1349], making sure that each cabinet is supported by at least 2 anchors. Drill a 5/16" (8 mm) hole for wall anchors and insert the wall anchor into hole until the anchor flange is flush with the wall.

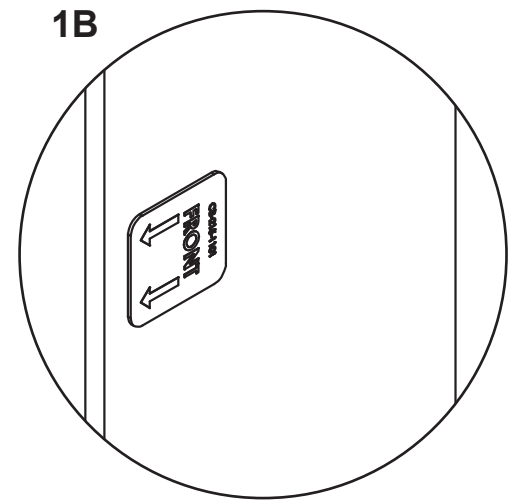
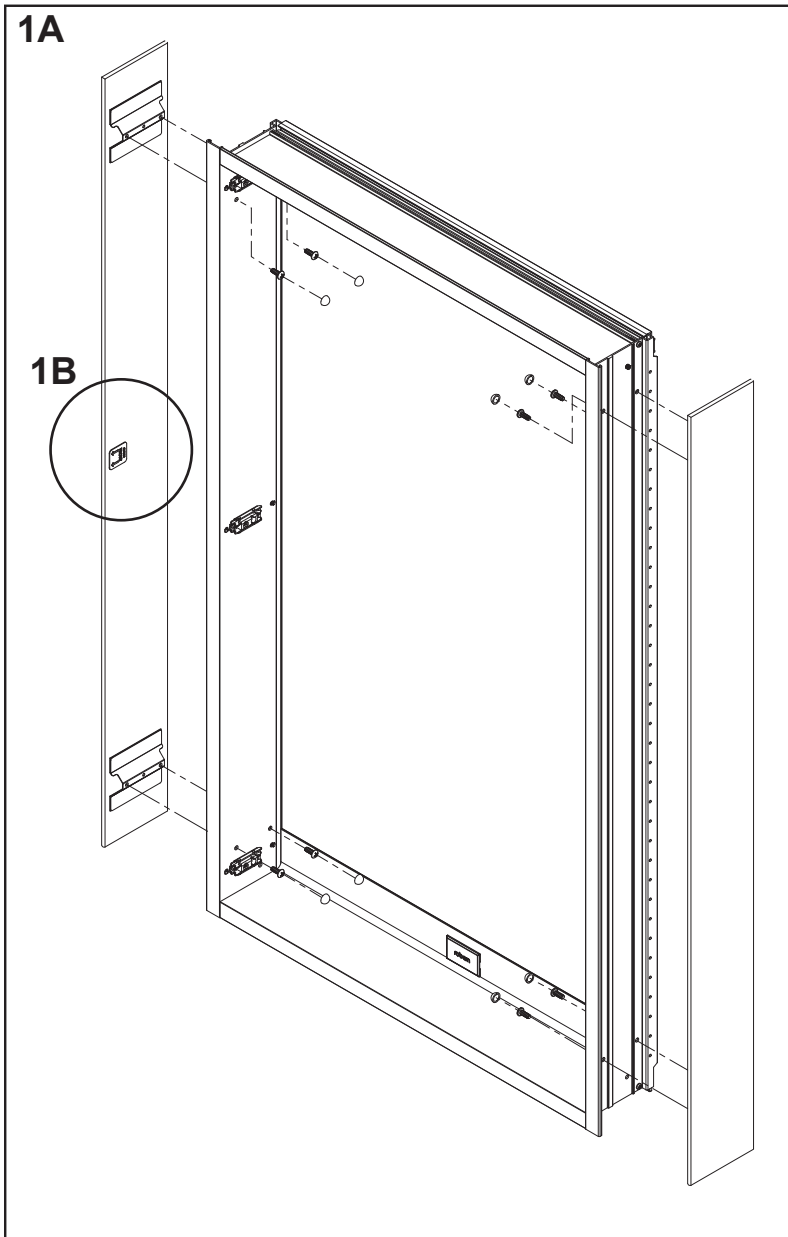
5. Use #10 X 2" screws [SS674] and tighten until there is a strong resistance. **DO NOT OVER TIGHTEN.**



FINAL ASSEMBLY

1. Position the Side Kit on the side of the cabinet and attach the side kits using the four screws [203-1451] provided with the Surface Mount Kit. Cover screws with caps [SS672].

Note: Side panels only align to the cabinet in one direction. If the mounting holes do not align, rotate the panel and try again.



2. To complete installation, follow the instructions for final assembly in your cabinet's installation manual.

[Quickly access the cabinet installation manual by scanning the QR code.](#)



robern

© 2020 Robern, Inc. 701 N. Wilson Ave. Bristol, PA 19007 U.S.A.
800.877.2376 www.robern.com

Installation instructions

USE AND MAINTENANCE

CAUTION: Maximum shelf load 34 LBS

The cabinet door and interior are constructed of mirrored glass and aluminum. Use only a damp cloth to clean. Ammonia or vinegar-based cleaners can damage mirrors.

A 50/50 solution of water and isopropyl alcohol is recommended for cleaning the mirrors. A mild detergent may be used on the surfaces.

When cleaning, spray the cloth, not the cabinet, mirror, or surround surfaces. Do not use abrasive cleansers on any part of the light fixture.

NOTE: Do not store items in the cabinet area directly behind the hinge as damage may occur to cabinet or items.

No Ammonia
No Vinegar



WARRANTY

Limited Warranty One Year Term

ROBERN warrants to the original purchaser that, it will, at its election repair, replace, or make appropriate adjustment to products made by this company shown to have significant defects in material or workmanship which are reported to ROBERN in writing within one (1) year from the date of delivery. ROBERN is not responsible for installation costs. The warranty is void in the event the product is damaged in transit, or if damage or failure is caused by abuse, misuse, abnormal usage, faulty installation, damage in an accident, improper maintenance, or any repairs other than those authorized by ROBERN. At the expiration of the one year warranty period, ROBERN shall be under no further obligation under any warranty, expressed or implied, including the implied warranty of merchantability. ROBERN shall not be liable for any consequential damages arising out of or in connection with the use or performance of its products. Some states do not allow limitations on how long an implied warranty lasts or do not allow the exclusion or limitation of incidental or consequential damages, so the above limitation or exclusion may not apply to you. Any liability against ROBERN under any implied warranty, including the warranty of merchantability, is expressly limited to the terms of this warranty. Permission to return any merchandise under this warranty must be authorized by ROBERN and returned prepaid by the purchaser. Claims under this warranty should be sent directly to your dealer.

©2020 ROBERN, INC.

ALL RIGHTS RESERVED

robern

© 2020 Robern, Inc. 701 N. Wilson Ave. Bristol, PA 19007 U.S.A.
800.877.2376 www.robern.com

Part no. CB-209-1347 10/30/20
PL Portray Cabinet Surface Mount Installation