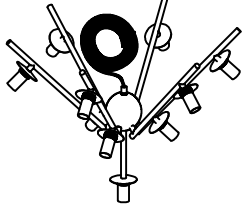


# ASSEMBLY INSTRUCTION

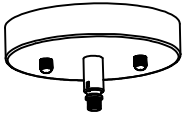
## 10-GLASS GLOBE PENDENT LIGHT

**A** Light Body



1pc

**D** Ceiling Base



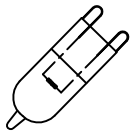
1pc

**G** Bolt  
Ø5/32"\*25mm



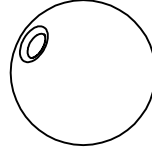
2pcs

**J** Bulb(Not provided)  
G9



10pcs

**B** Glass Shade  
Ø150\*147mm



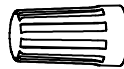
10pcs

**E** Nut Cap  
Ø9\*10mm



2pcs

**H** Wire Connector  
Ø9.9\*17.7mm



2pcs

**C** Tube  
Ø11.7\*350mm



3pcs

**F** Flat Washer  
Ø5/32"\*12mm



2pcs

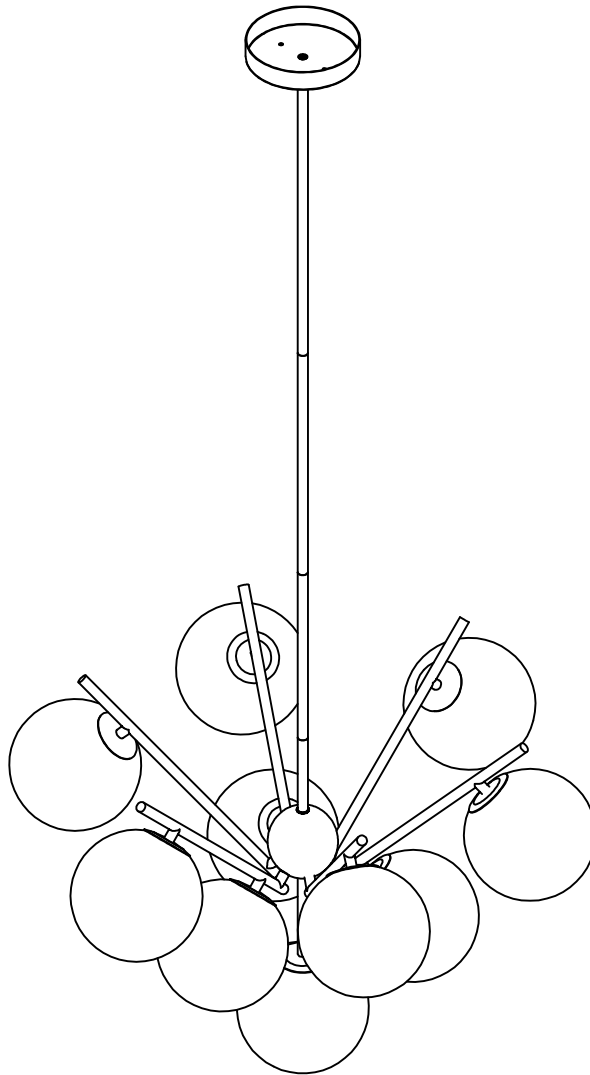
**I** Wire Connector  
Ø8.6\*15.2mm



1pc

# IMPORTANT SAFETY INSTRUCTIONS

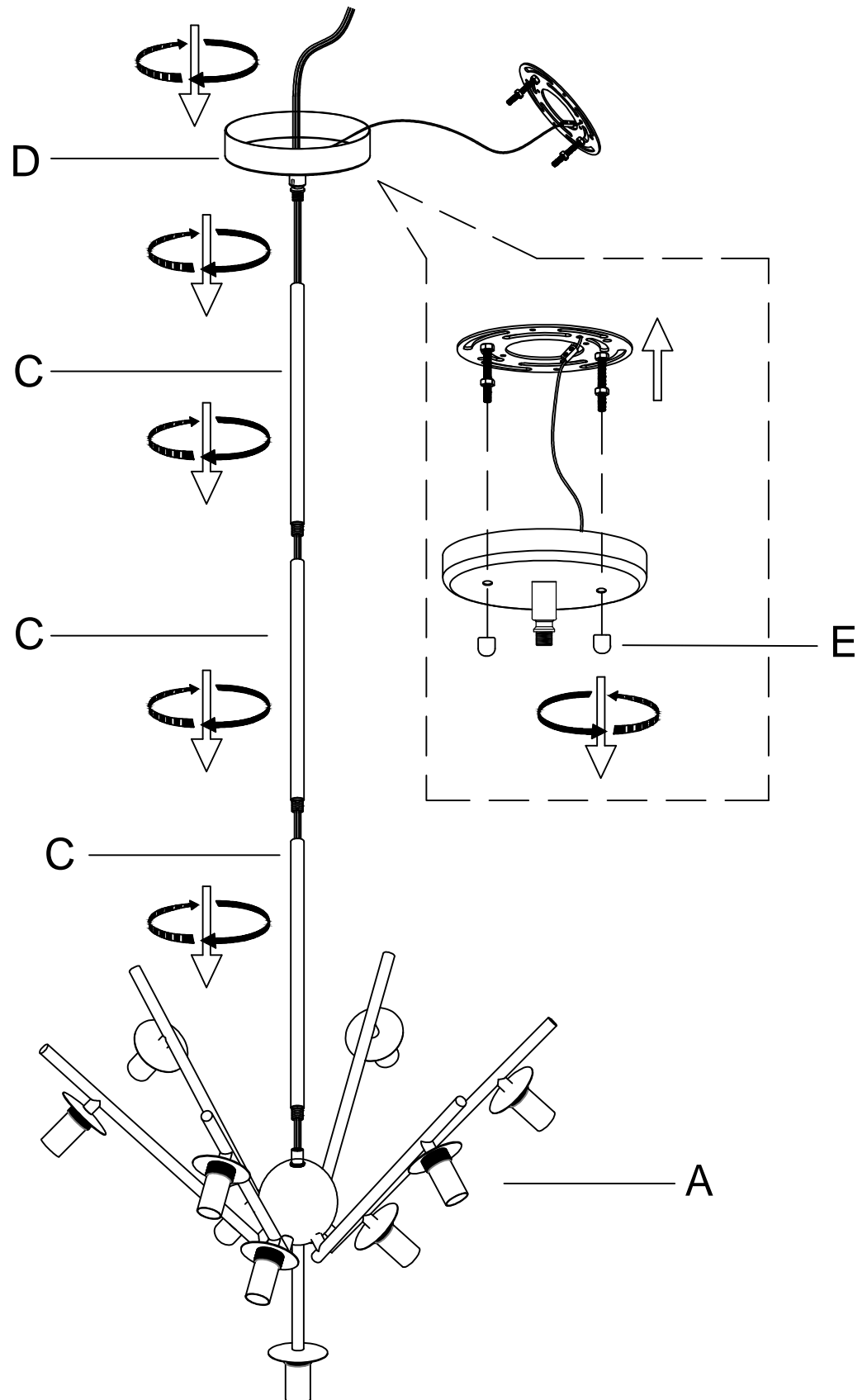
THIS PENDANT LAMP HAS A POLARIZED PLUG (ONE BLADE IS WIDER THAN THE OTHER) AS A SAFETY FEATURE TO REDUCE THE RISK OF ELECTRIC SHOCK. THIS PLUG WILL FIT IN A POLARIZED OUTLET ONLY ONE WAY. IF THE PLUG DOES NOT FIT FULLY IN THE OUTLET, REVERSE THE PLUG. IF IT STILL DOES NOT FIT, CONTACT A QUALIFIED ELECTRICIAN. NEVER USE WITH AN EXTENSION CORD UNLESS PLUG CAN BE FULLY INSERTED. DO NOT ALTER THE PLUG.



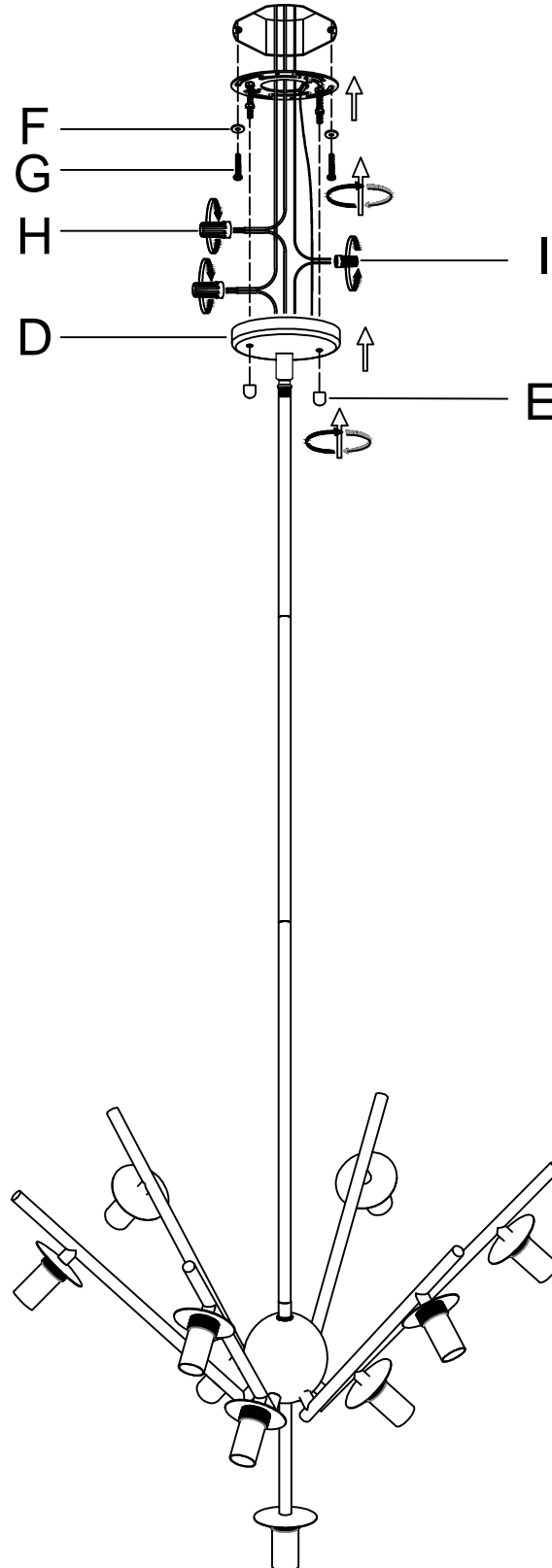
This page lists all the contents included in the box. Please take the time to identify the hardware as well as the individual components to this product. As you unpack and prepare for assembly, place the contents on a carpeted or padded area to protect them from damage.

**1**

Firstly, remove the Nut Cap (E) from the Ceiling Base (D), pull out the bracket from Ceiling Base (D). Secondly, put out the cable from Light Body (A) to through all Tube (C) and Ceiling Base (D). Finally, assemble Tube (C) to Light Body (A) & Ceiling Base (D) as below shown.

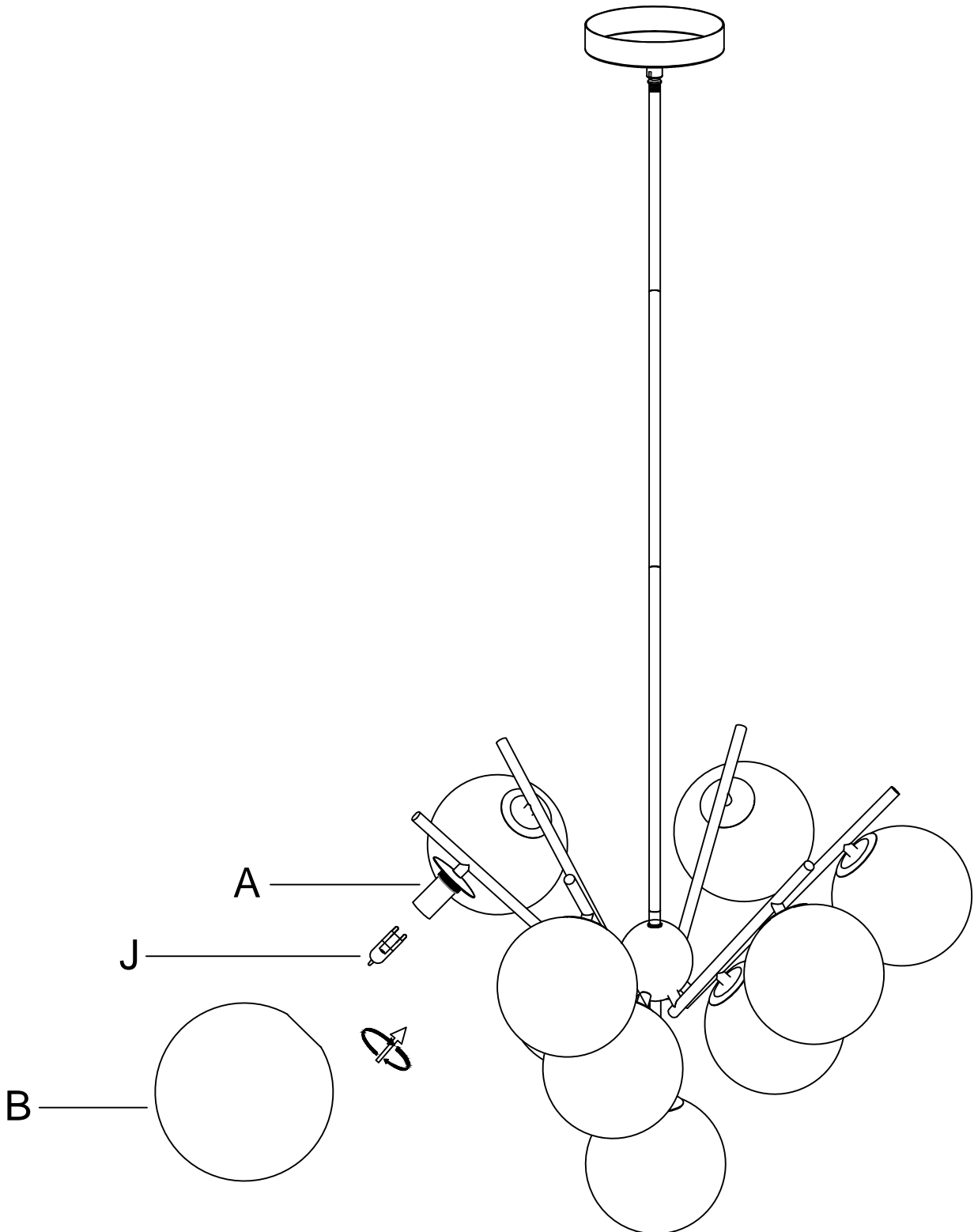


**2** Firstly, connect the Wire Connection (H) & Wire Connection (I) together with wire and then fix the bracket on the ceiling with Bolt (G) and Flat Washer (F) by screwdriver. Secondly, put the Ceiling Base (D) back to cover the bracket and using Nut Cap (E) to fix them.



**3**

Assemble Bulb (J) to the lamp holder of Light Body (A), then assemble Glass Shade (B) to the Light Body (A) and rotate tightly.



### Cleaning & Care

Treat surface with care. Surface is resistant to scratches but is not scratch resistant. Clean surfaces with a dry or damp soft cloth. Do not use abrasive cleaners. Hardware may loosen over time. Periodically check that all connections are tight.