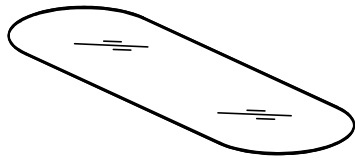


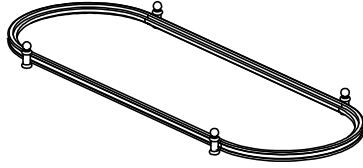
# ASSEMBLY INSTRUCTION

## SOFA TABLE

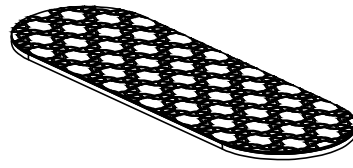
- A** Glass Top
- B** Top Frame
- C** Bottom Panel
- D** Bottom Frame



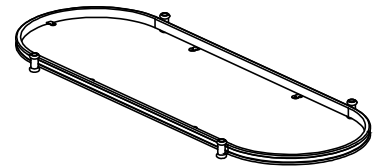
1pc



4pcs



1pc



1pc

- E** Support Post
- F** Leg
- G** Screw M4x1/2"
- H** Glass Pad



4pcs



4pcs

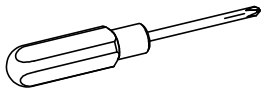


8pcs

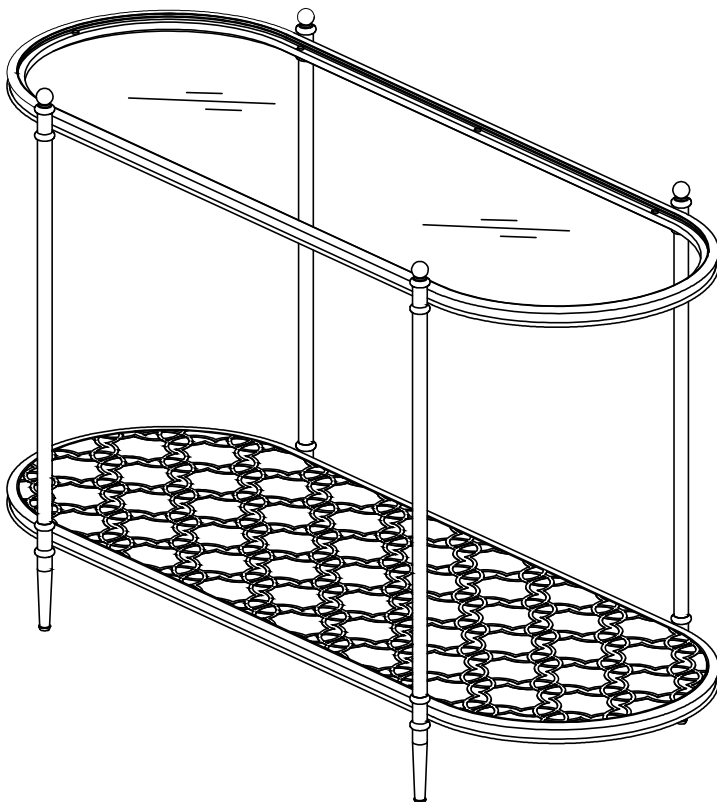


8pcs

- I** Screwdriver (Not Provided)

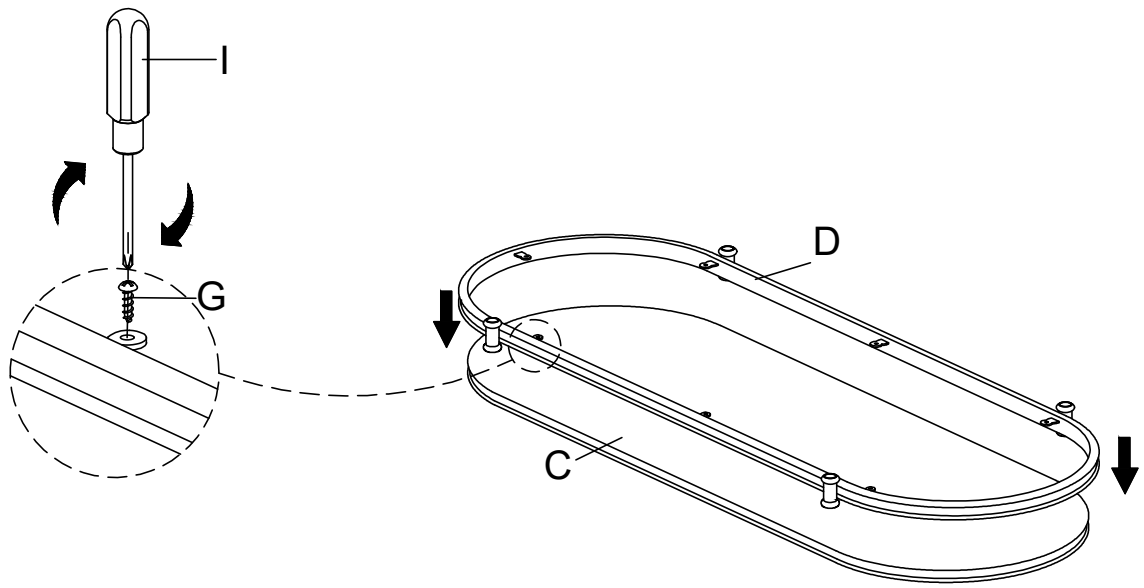


1pc

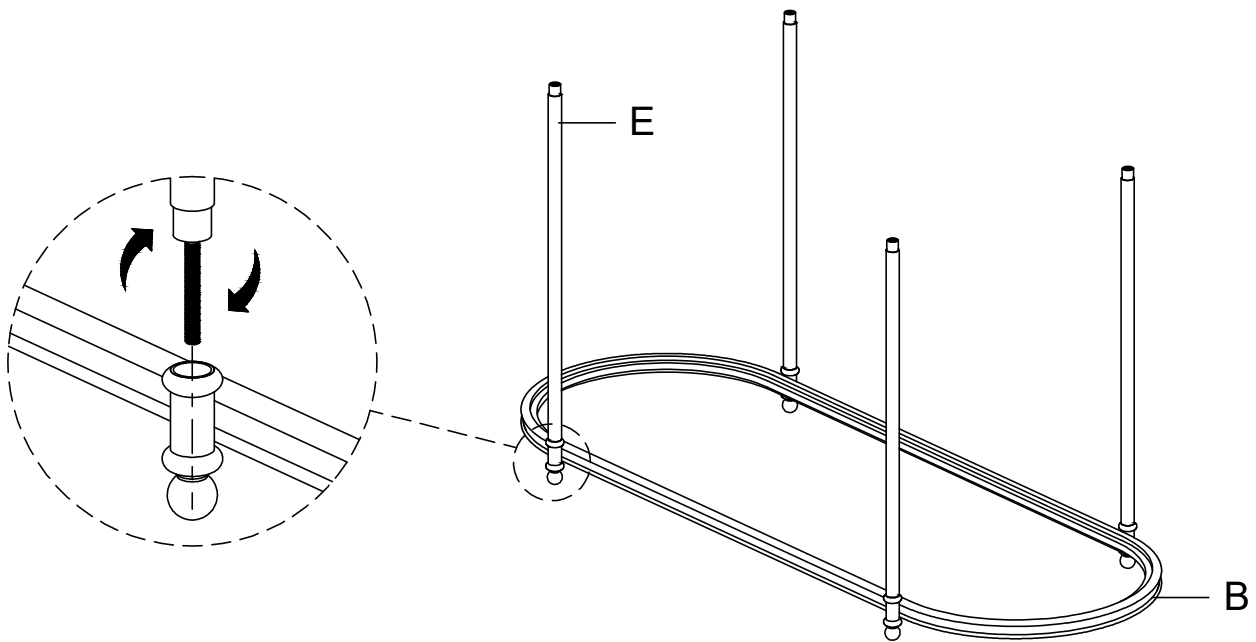


This page lists all the contents included in the box. Please take the time to identify the hardware as well as the individual components to this product. As you unpack and prepare for assembly, place the contents on a carpeted or padded area to protect them from damage.

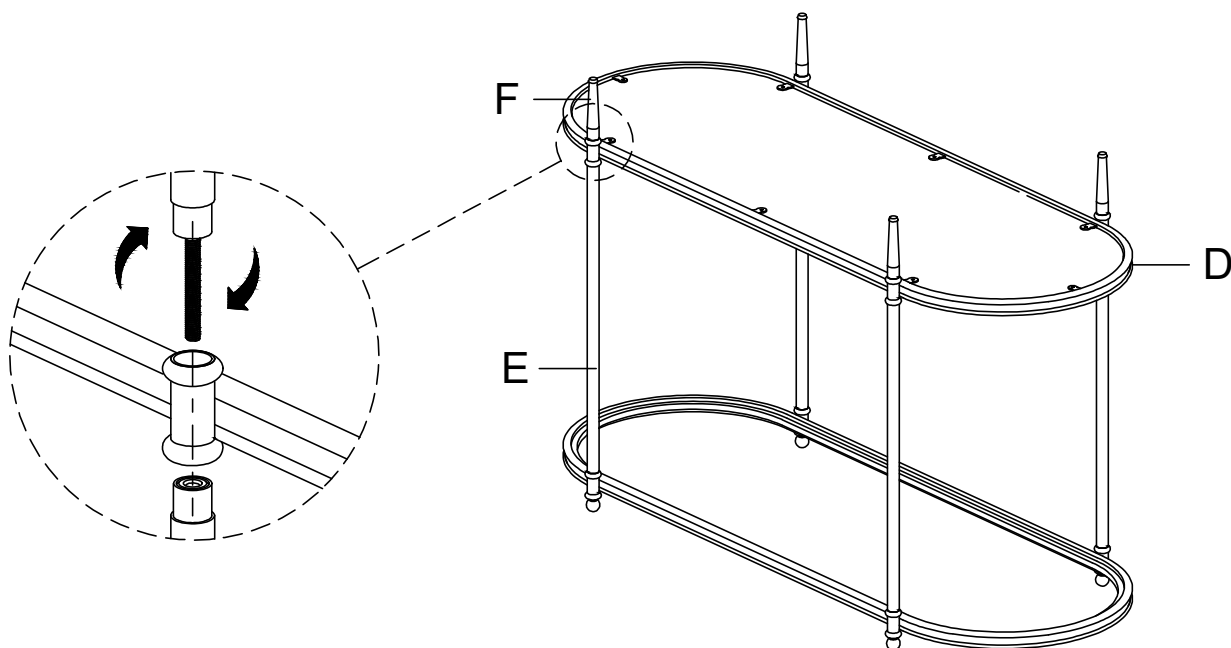
- 1** Put the Bottom Panel (C) and Bottom Frame (D) on a smooth flat surface, attach Bottom Frame (D) to Bottom Panel (C), using Screw (G) by Screwdriver (I).



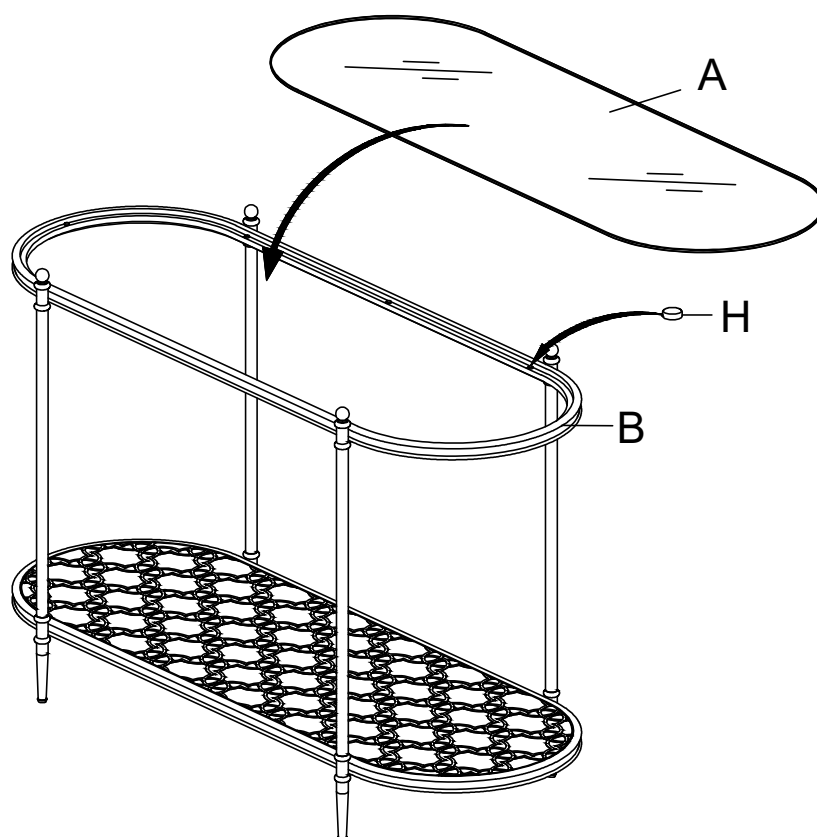
- 2** Put the Top Frame (B) on a smooth flat surface, attach Support Post (E) to Top Frame (B) as below shown.



**3** Assemble Bottom Frame (D) with Support Post (E) using Leg (F) as below shown.



**4** Attach Glass Pad (H) on the Top Frame (B), then put the Glass Top (A) onto the Glass Pad (H) as below shown.



### Cleaning & Care

Treat surface with care. Surface is resistant to scratches but is not scratch resistant. Clean surfaces with a dry or damp soft cloth. Do not use abrasive cleaners. Hardware may loosen over time. Periodically check that all connections are tight.