
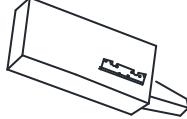
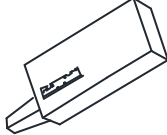
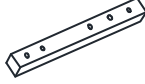




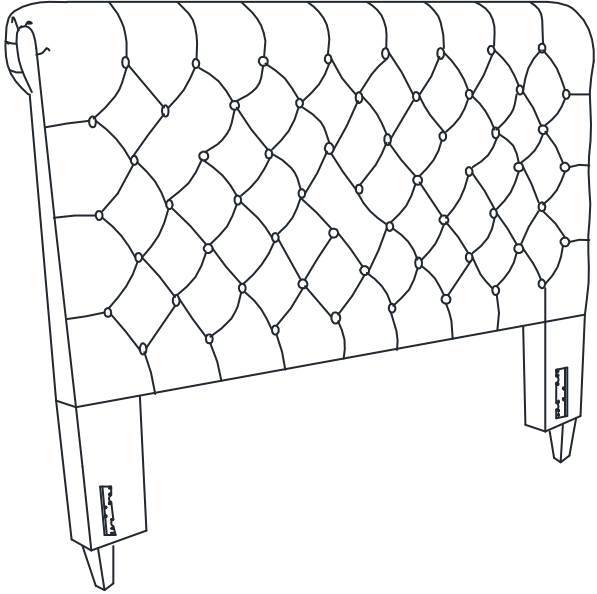


ASSEMBLY INSTRUCTION

E208B FULL QUEEN AND KING HEADBOARD

A Headboard	B Left Wooden Frame	C Right Wooden Frame	D Slate	E Bolt 1/4" x 65mm
				
1pc	1pc	1pc	2pcs	10pcs

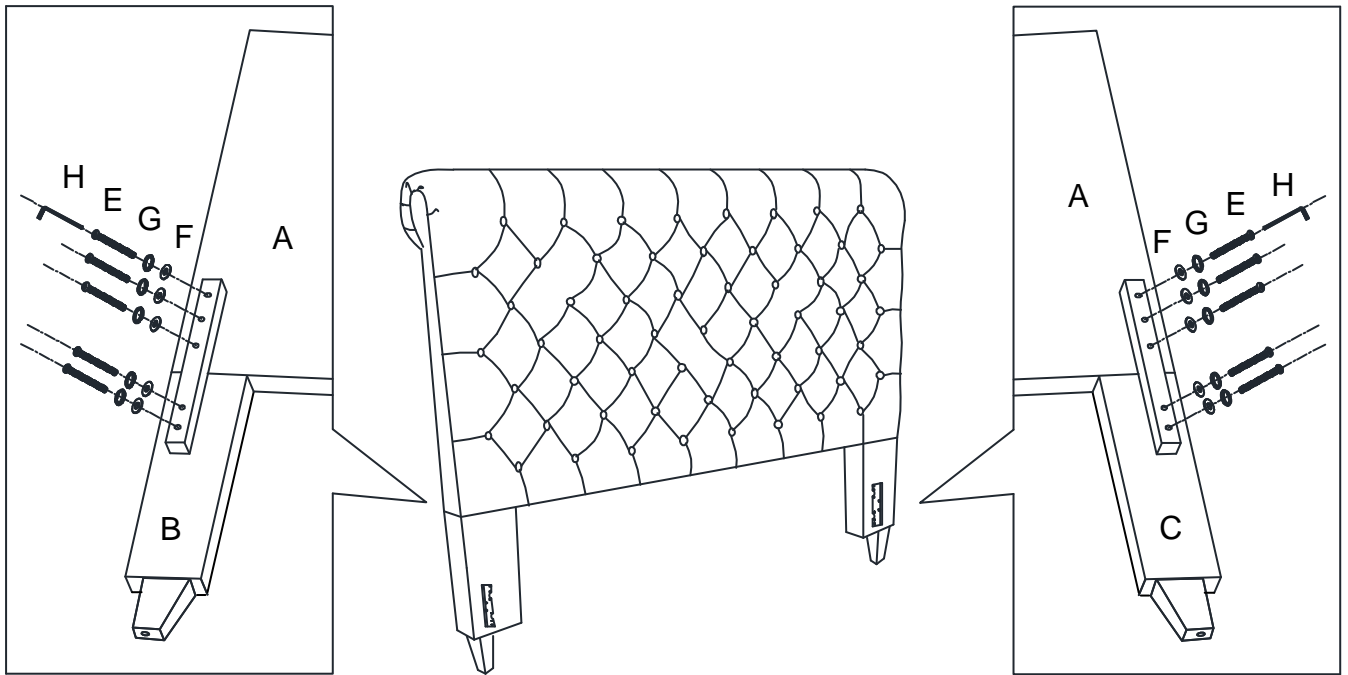
F Flat Washer	G Lock Washer	H Allen Wrench
		
10pcs	10pcs	10pcs



This page lists all the contents included in the box. Please take the time to identify the hardware as well as the individual components to this product. As you unpack and prepare for assembly, place the contents on a carpeted or padded area to protect them from damage.

1

Attached left Wooden Frame (B) and right Wooden Frame (C) to the Headboard (A) use Bolt (E), Lock Washer (G) and Flat Washer (F) on holes of Slates (D). Turn the Allen Wrench (H) in Bolt (E).



Cleaning & Care

Treat surface with care. Surface is resistant to scratches but is not scratch resistant. Clean surfaces with a dry or damp soft cloth. Do not use abrasive cleaners. Hardware may loosen over time. Periodically check that all connections are tight.

ASSEMBLY INSTRUCTION

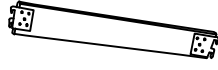
315B E377 E388 886B 885B E376 E900 E784 E608 E609 E729 E799 8155 E700
KING BED - FOOTBOARD & SIDE RAILS

A Footboard



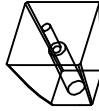
1pc

B Side Rails



2pcs

C Wooden Leg



2pcs

D Support Leg



15pcs

E Wooden Slats



5pcs

F Screw



20pcs

G Bolt
1/4" x 75mm



2pcs

H Bolt
1/4" x 50mm



15pcs

I Flat Washer



17pcs

J Lock Washer

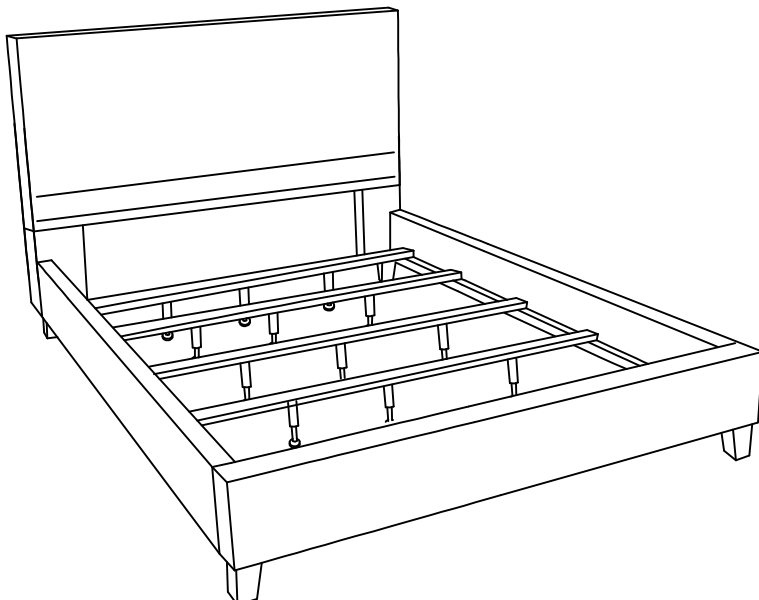


17pcs

K Allen Wrench

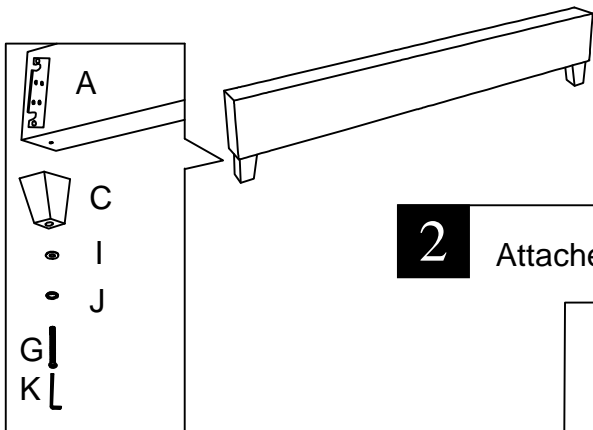


1pc

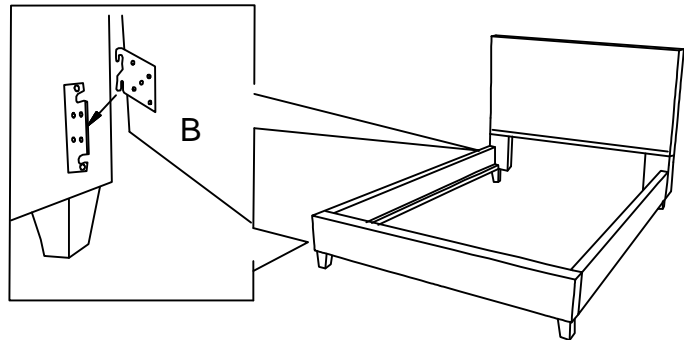


This page lists all the contents included in the box. Please take the time to identify the hardware as well as the individual components to this product. As you unpack and prepare for assembly, place the contents on a carpeted or padded area to protect them from damage.

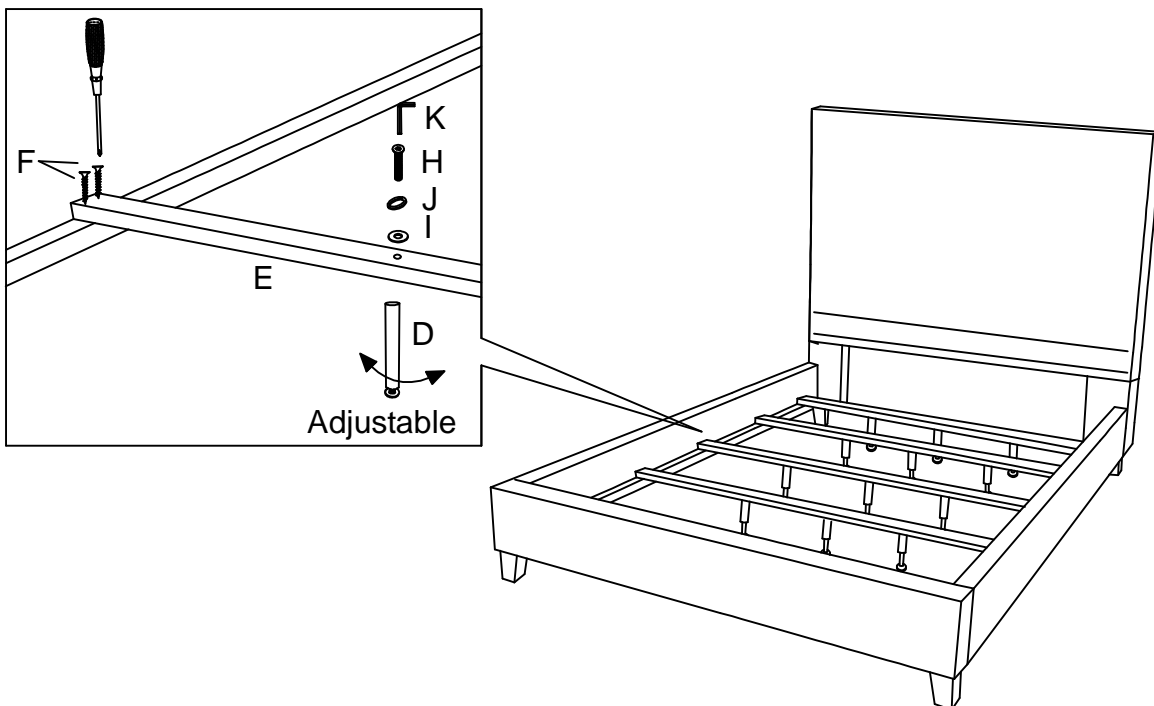
- 1** Attached Wooden Leg(C) to the Footboard(A) use Bolt(G), Lock Washer(J) and Flat Washer(I) on both of holes. Turn the Allen Wrench(K) in Bolt(G).



- 2** Attached Side Rails(B) to the Headboard and Footboard(A).



- 3** Assembly Support Leg(D) to Wooden Slats(E) use Bolt(H), Lock Washer(J) and Flat Washer(I) by Allen Wrench(K). Assembly Wooden Slats(E) to Side Rail(B) use Screw (F) as showing.



Cleaning & Care

Treat surface with care. Surface is resistant to scratches but is not scratch resistant. Clean surfaces with a dry or damp soft cloth. Do not use abrasive cleaners. Hardware may loosen over time. Periodically check that all connections are tight.