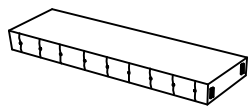


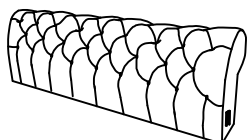
# ASSEMBLY INSTRUCTION

## TUFTED SOFA

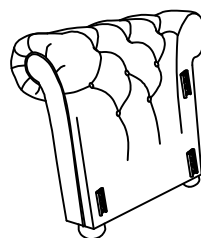
**A** Seat Frame      **B** Back Frame      **C** Left Panel      **D** Right Panel



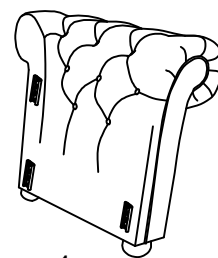
1pc



1pc

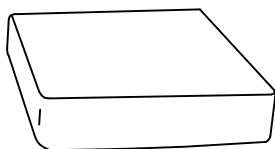


1pc

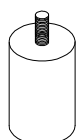


1pc

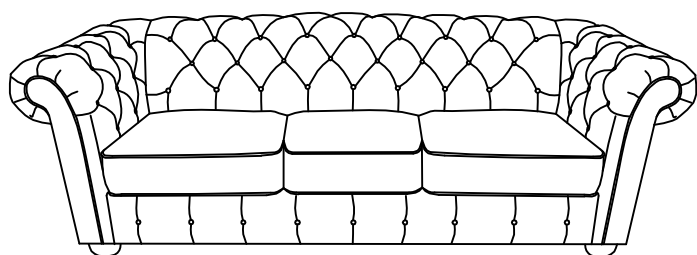
**E** Seat Cushion      **F** Plastic Leg



3pcs

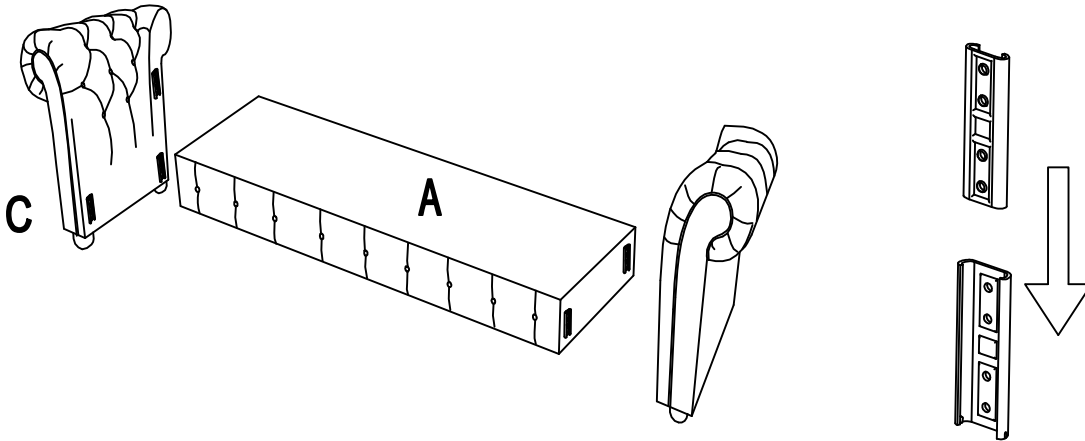


2pcs

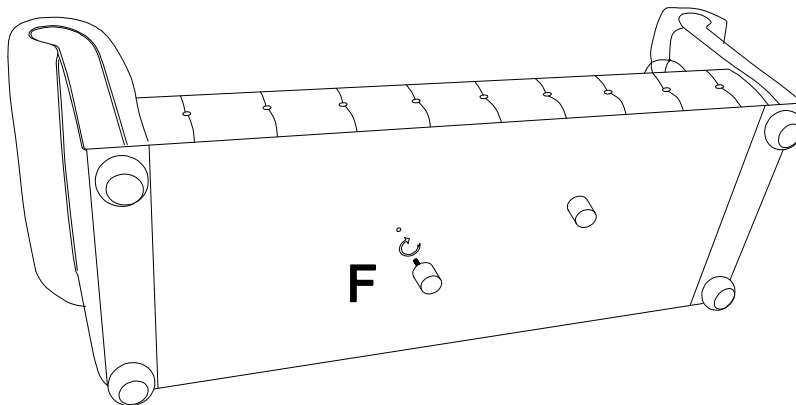


This page lists all the contents included in the box. As you unpack and prepare for assembly, place the contents on a carpeted or padded area to protect them from damage.

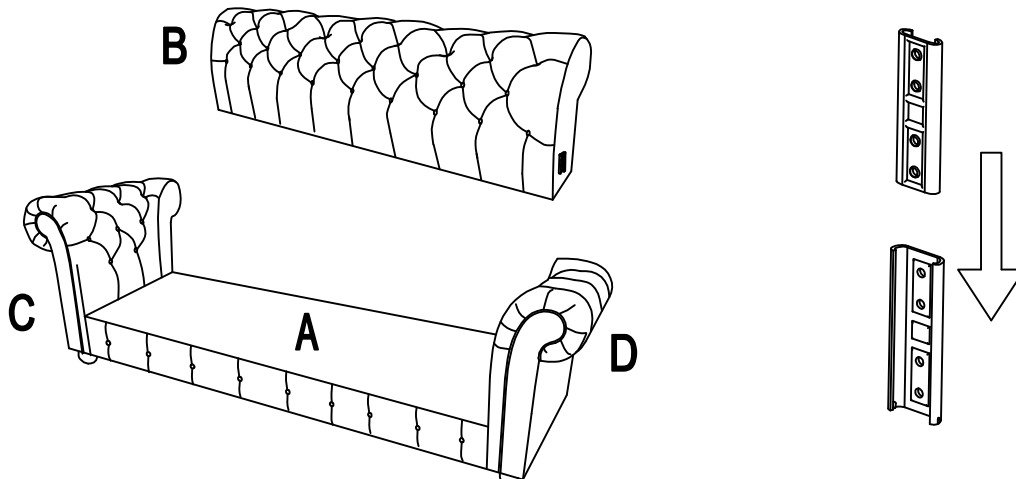
**1** Hook on the Left Panel (C) & Right Panel (D) to Seat Frame (A) properly.



**2** Assembly the Plastic Leg (F) at the bottom of Seat Frame (A) as picture showing.



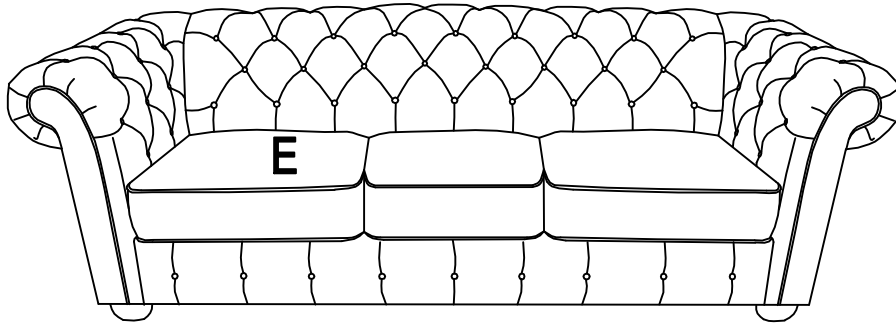
**3** Hook on the Back Frame (B) to Left Panel (C) & Right Panel (D) properly.



---

**4**

Place Seat Cushion (E) on the chair properly. The assembly is complete.



---

**Cleaning & Care**

Treat surface with care. Surface is resistant to scratches but is not scratch resistant. Clean surfaces with a dry or damp soft cloth. Do not use abrasive cleaners.