



**Architectural/Engineering Specification:**

0.125 gpf [0.5 Lpf] to 1.0 gpf [3.8 Lpf] vitreous china, wall hung, integral trap, washdown urinal complete with 3/4" top spud connection, concealed universal retrofit wall bracket, 2" outlet connection and vandal resistant outlet strainer.

**PRODUCT FEATURES:**

- Zurn Ultra Low Consumption Urinal designed for optimal performance when paired with Zurn flush valve to save water while exceeding industry performance standards
- Based on flush valve it can flush 0.125 gpf [0.5 Lpf] to 1.0 gpf [3.8 Lpf]
- Vitreous china
- Asymmetric backwall resulting in reduced splash back
- Patent Pending
- High efficiency washdown flushing action
- Oversized footprint to make retrofit easy
- 3/4" top spud
- 2" I.P.S. outlet flange and rubber gasket with integral trap
- 14" extended rim for handicap compliance when installed at proper height
- Vandal resistant outlet strainer included
- Shipping Weight: 60 lbs.



**Product Compliance:**

- ADA
- ASME A112.19.2/CSA B45.1
- CEC
- CSA B45.1
- IPC
- WaterSense

\*Complies with ADA & ICC A117.1 accessibility requirements when installed according to the requirements outlined in these standards.



\*This product should be used with a WaterSense labeled counterpart with a compatible flow volume to ensure that the entire system meets the requirements for water efficiency and performance.

*\*Although products with certain combinations of options and features will meet or comply with these standards and/or certifications, not every combination of options and features will result in such compliance. If you have any questions about your particular product, please contact our Customer Care Dept. at 1-855-ONE-ZURN (United States) or 1-877-892-5216 (Canada) for confirmation.*

**Z5755-U ZURN ONE SYSTEMS**

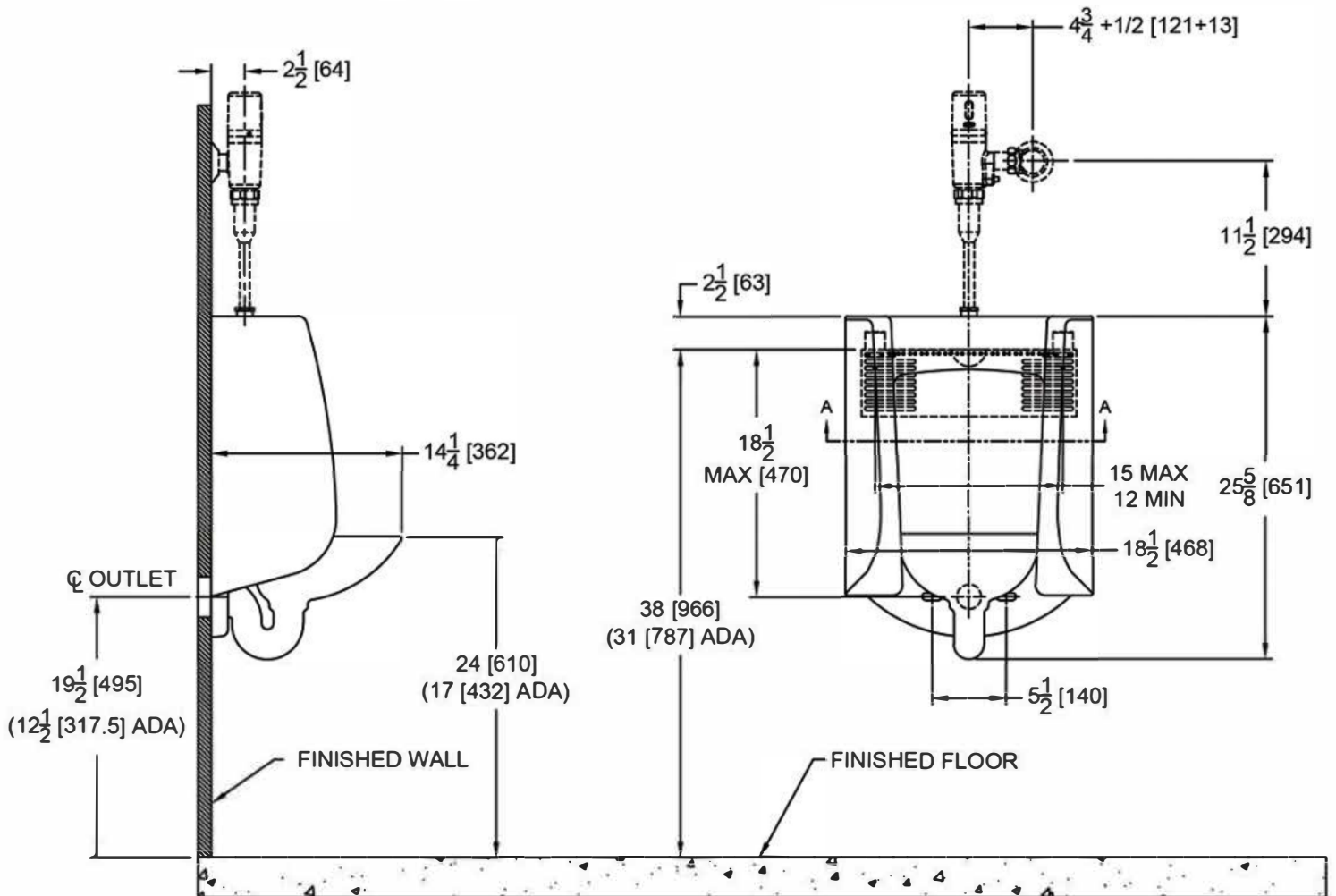
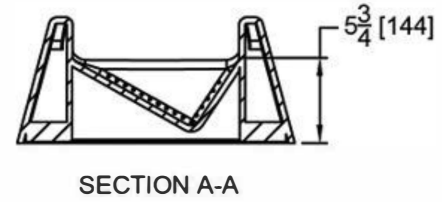
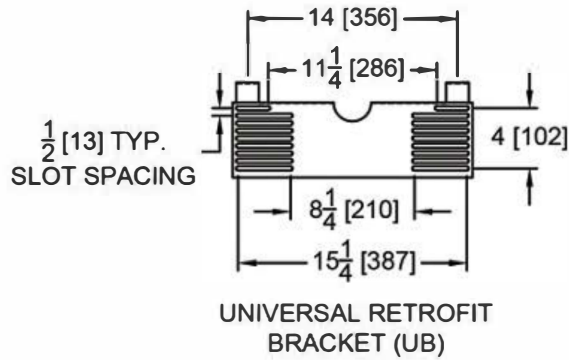
Complete fixture package with urinal and valve

Item Number	Description	Flush Valve GPF
Z.UR1.M	Manual Z6003AV-ULF system	0.125
Z.UR1.S	EZ Flush ZER6003AV-ULF-SM system	0.125
Z.UR1.S.TM	Top Mount Sensor ZER6003AV-ULF-TM system	0.125
Z.UR2.M	Manual Z6003AV-EWS system	0.5
Z.UR2.S	EZ Flush ZER6003AV-EWS-SM system	0.5
Z.UR2.S.TM	Top Mount Sensor ZER6003AV-EWS-TM system	0.5

Architectural/Engineering Approval

*Design and dimensional data (inches and [mm]) are subject to manufacturing tolerances and change without notice.*

⚠ WARNING: Cancer and Reproductive Harm - [www.P65warnings.ca.gov](http://www.P65warnings.ca.gov)  
 ⚠ ADVERTENCIA: Cáncer y daño reproductivo - [www.P65warnings.ca.gov](http://www.P65warnings.ca.gov)  
 ⚠ AVERTISSEMENT: Cancer et effets néfastes sur la reproduction - [www.P65warnings.ca.gov](http://www.P65warnings.ca.gov)



NOTE: All dimensions are for reference only. Do not use for pre-plumbing.

Design and dimensional data (inches and [mm]) are subject to manufacturing tolerances and change without notice.

⚠ WARNING: Cancer and Reproductive Harm - [www.P65warnings.ca.gov](http://www.P65warnings.ca.gov)  
 ⚠ ADVERTENCIA: Cáncer y daño reproductivo - [www.P65warnings.ca.gov](http://www.P65warnings.ca.gov)  
 ⚠ AVERTISSEMENT: Cancer et effets néfastes sur la reproduction - [www.P65warnings.ca.gov](http://www.P65warnings.ca.gov)