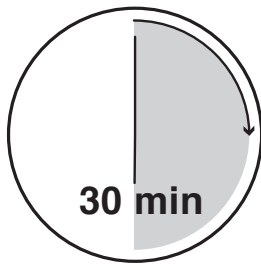


# LEFT ARM LOVESEAT AND RIGHT ARM CHAISE

## ASSEMBLY INSTRUCTIONS

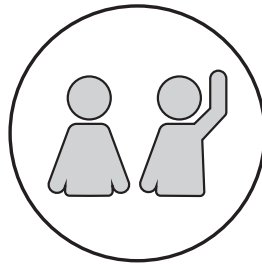
Read these instructions carefully and keep for future reference.  
Refer to parts inventory for guidance, and ensure you have all pieces before starting.

When assembling, place all parts on a soft, clean and flat surface such as a carpet to prevent scratches.

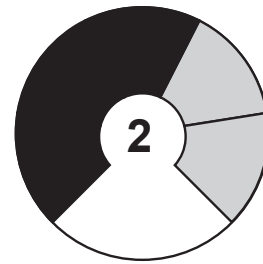


30 min

TIME



# OF PEOPLE



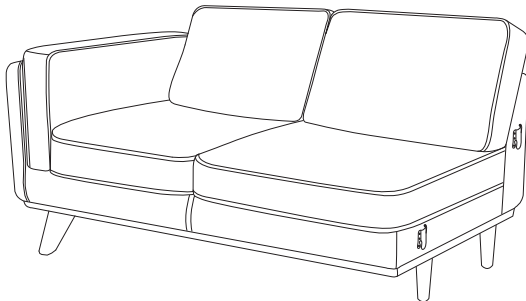
DIFFICULTY









**WARNING**

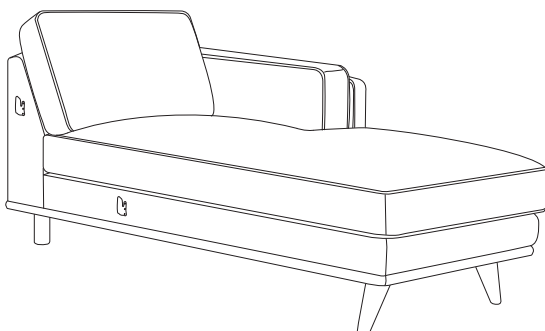
Two people required to orientate the sofa


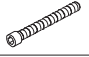




### LEFT ARM LOVESEAT



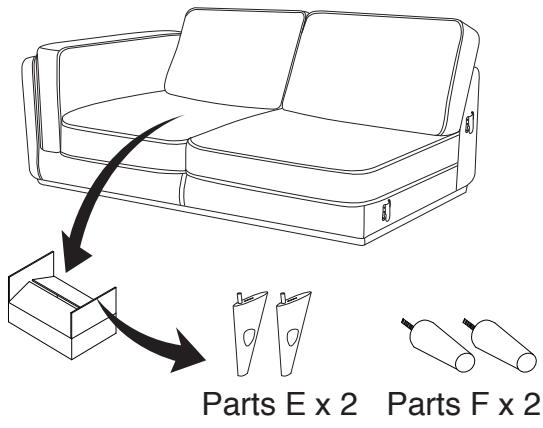
PARTS INVENTORY			
ID	DESCRIPTION		QTY
A	Allen key		1
B	Bolt		2
C	Lock washer		2
D	Flat washer		2
E	Legs		2
F	Legs		2

### RIGHT ARM CHAISE

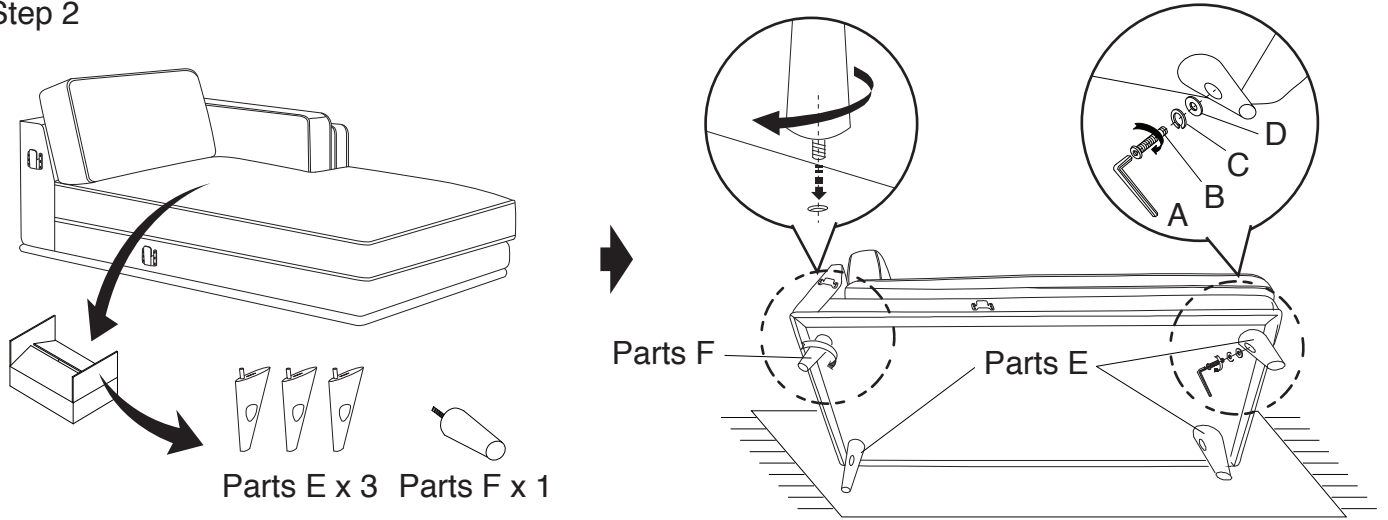


PARTS INVENTORY			
ID	DESCRIPTION		QTY
A	Allen key		1
B	Bolt		3
C	Lock washer		3
D	Flat washer		3
E	Legs		3
F	Legs		1

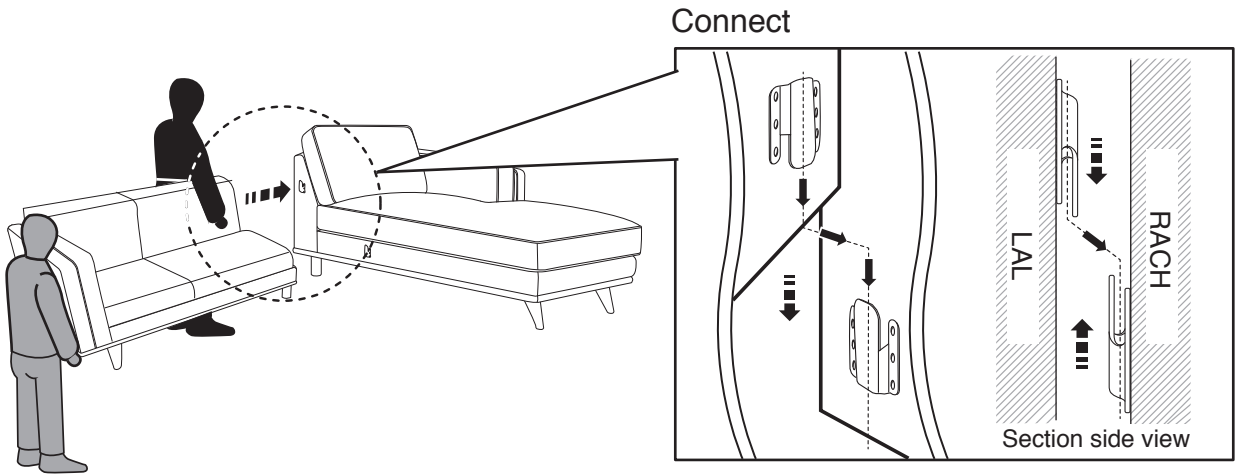
Step 1



Step 2



Step 3



Finished

