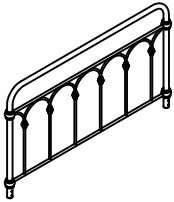


# ASSEMBLY INSTRUCTION

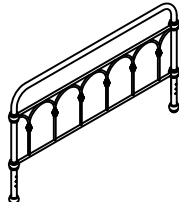
## E308BQ POWDER COAT METAL QUEEN BED

**A** Headboard



1pc

**B** Footboard



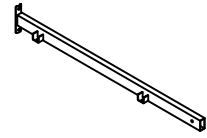
1pc

**C** Extension Leg



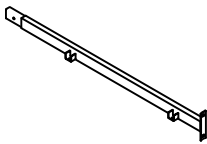
2pcs

**D** Side Rail



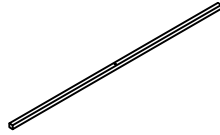
2pcs

**E** Side Rail



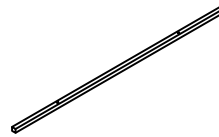
2pcs

**F** Slats



2pcs

**G** Slats



2pcs

**H** Support Leg



6pcs

**I** Bolt  
1/4", 57mm



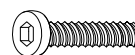
4pcs

**J** Bolt  
1/4", 44mm



6pcs

**K** Bolt  
1/4", 19mm



22pcs

**L** Nut  
1/4"



4pcs

**M** Flat Washer  
ø16mm



32pcs

**N** Allen Wrench  
4x4mm

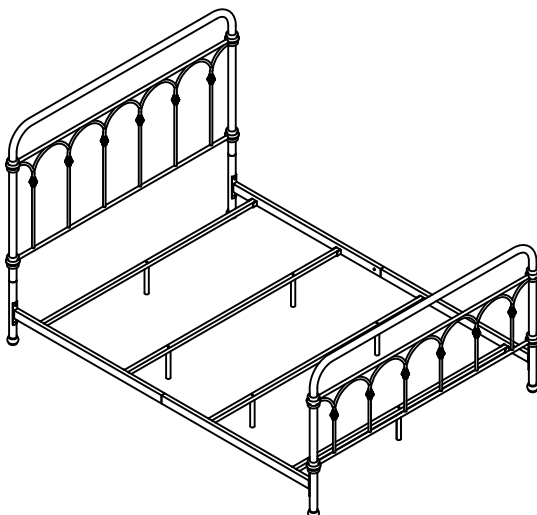


1pc

**O** Wrench  
11.3mm

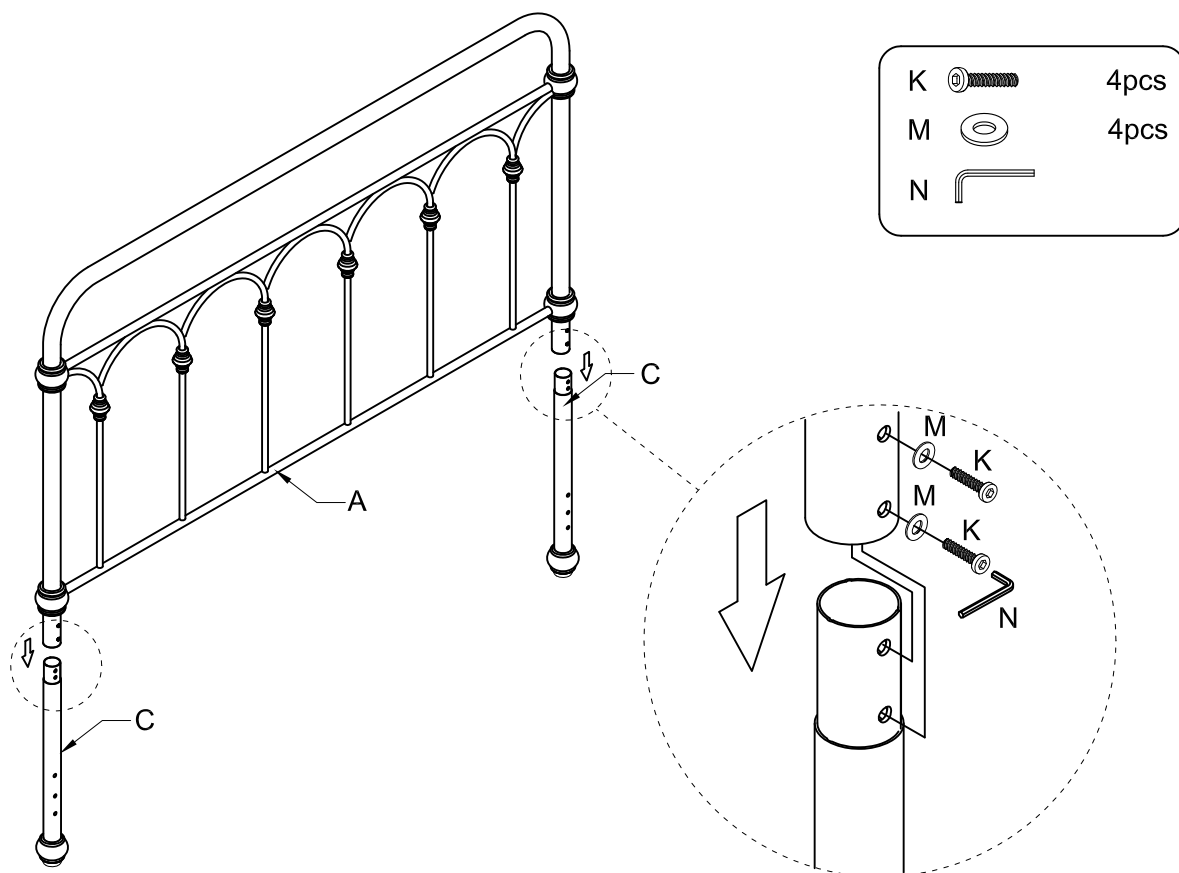


1pc

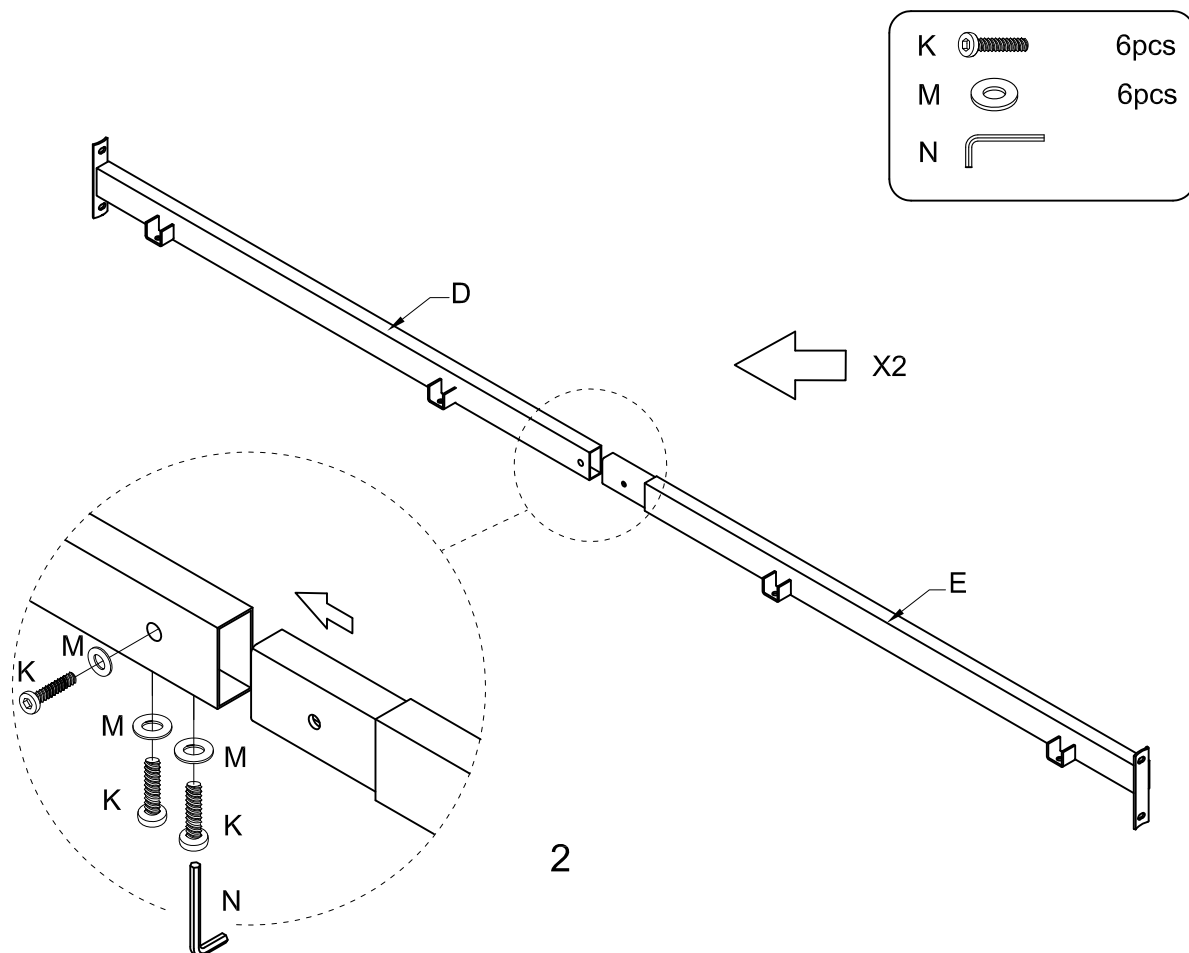


This page lists all the contents included in the box. Please take the time to identify the hardware as well as the individual components to this product. As you unpack and prepare for assembly, place the contents on a carpeted or padded area to protect them from damage.

**1** Assemble the headboard (A) to the extension leg (C) with 4pcs bolts (K) and 4pcs flat washer (M), then fastened using allen wrench (N).

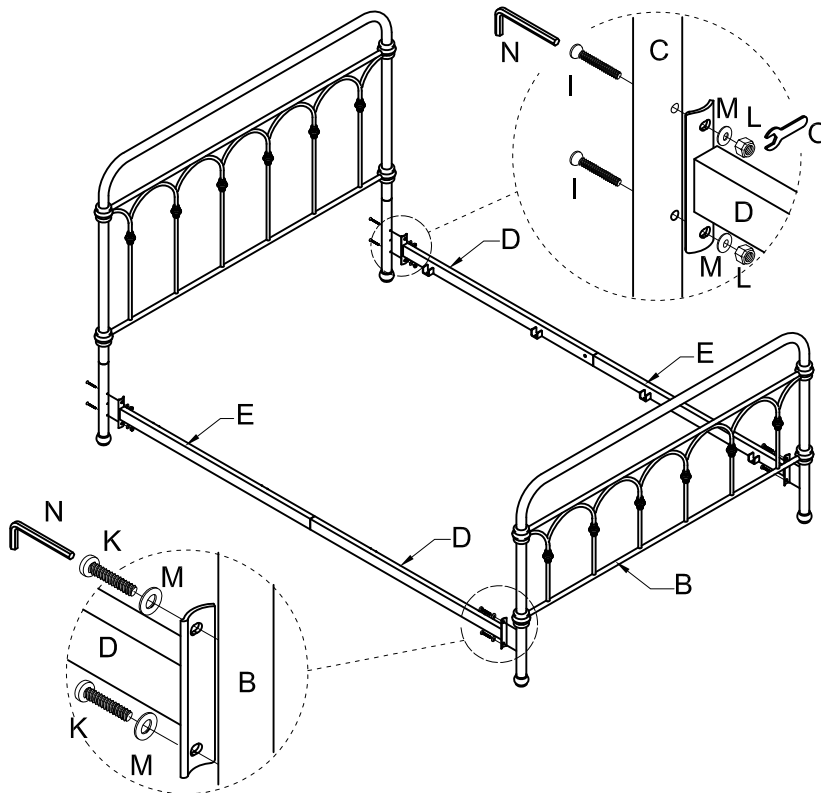


**2** Assemble the side rail (D) to the side rail (E) with 6pcs bolts (K) and 6pcs flat washer (M), then fastened using allen wrench (N).



**3**

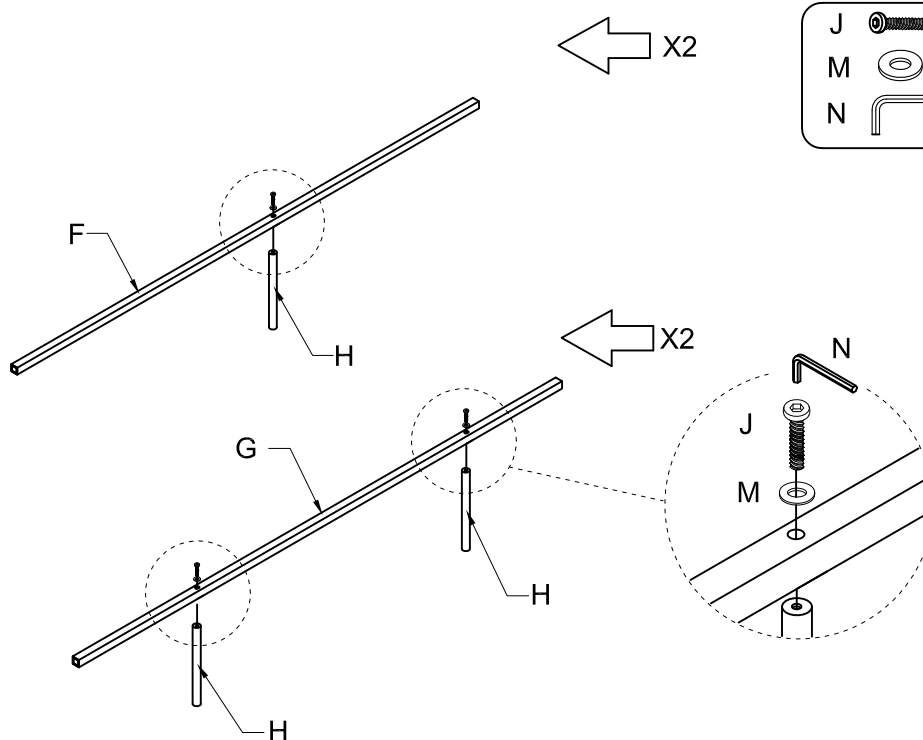
Assemble the side rail (D) and side rail (E) to the extension leg (C) and the footboard (B) with 4pcs bolts (I), 4pcs bolts (K), 4pcs nuts (L), and 8pcs flat washer (M), then fastened using allen wrench (N) and wrench (O).



I		4pcs
K		4pcs
L		4pcs
M		8pcs
N		
O		

**4**

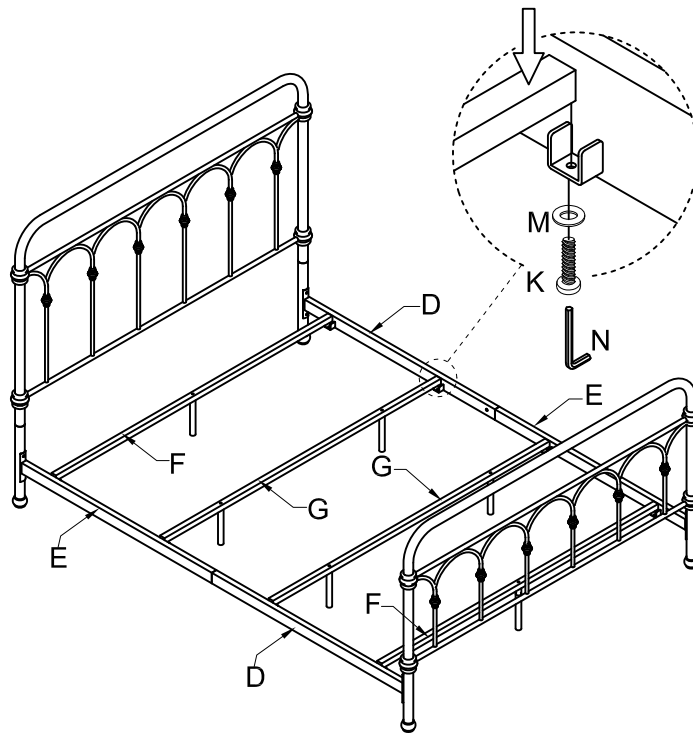
Assemble the slat (F) and slat (G) to the support leg (H) with 1pc bolt (J) and 1pc flat washer (M) for each support leg (H), then fastened using allen wrench (N).






J		6pcs
M		6pcs
N		

5

Assemble the slat (F) and slat (G) to the side rail (D) and side rail (E) with 1 pc bolt (K), 1pc flat washer (M) for each end of slat (F) and slat (G), then fastened using allen wrench (N).



K		8pcs
M		8pcs
N		

#### Cleaning & Care

Treat surface with care. Surface is resistant to scratches but is not scratch resistant. Clean surfaces with a dry or damp soft cloth. Do not use abrasive cleaners. Hardware may loosen over time. Periodically check that all connections are tight.