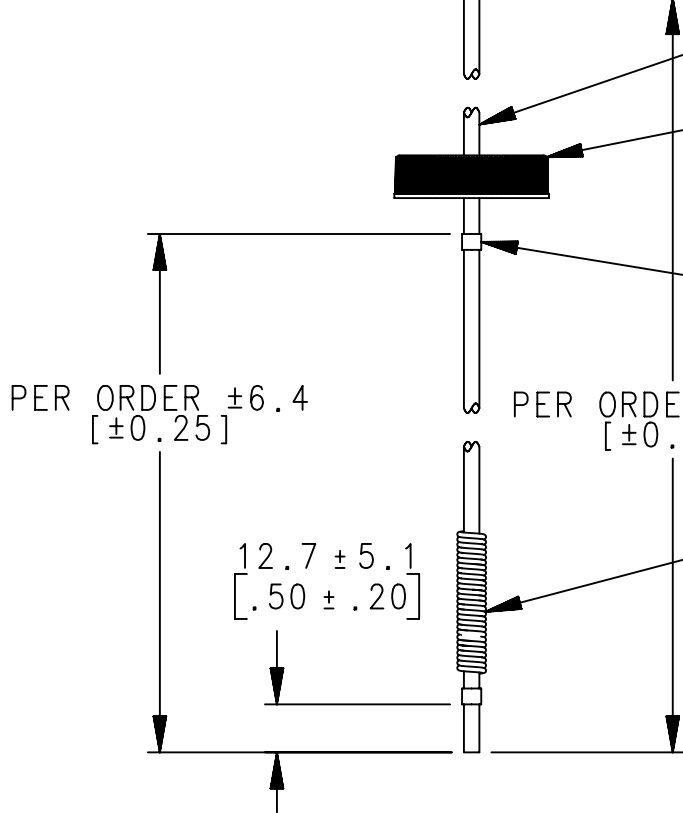


MIXER TRIGGER SPRAYER  
 1.3CC OR 1.6CC OUTPUT PER STROKE  
 BALL VALVE: CELCON  
 SPRING: STAINLESS STEEL  
 VALVE BODY: POLYPROPYLENE  
 PISTON: POLYETHYLENE  
 SHELL: POLYPROPYLENE  
 NOZZLE: POLYETHYLENE  
 TRIGGER: POLYPROPYLENE  
 SPIN MECHANICS: POLYETHYLENE



TUBING  
 PVC  
 CLOSURE (38-400 UNLINED)  
 POLYPROPYLENE  
 RETAINER (CRIMP) (2X)  
 MATERIAL: AMALLOY  
 PER ORDER  $\pm 6.4$   
 $[\pm 0.25]$   
 PER ORDER  $\pm 12.7$   
 $[\pm 0.50]$   
 WEIGHT: STAINLESS STEEL

DISCLAIMER

THIS INFORMATION IS PROVIDED AS A GENERAL GUIDE, INCLUDING DIMENSIONS. IT IS THE CUSTOMER'S RESPONSIBILITIES TO SELECT THE PROPER CONTAINER FOR PRODUCT AND APPLICATION COMPATIBILITY.

DISTRIBUTED BY:



REF NO.:

DWG30839

DESCRIPTION:

38-400 PP Trigger Sprayer, 12.7" Dip Tube