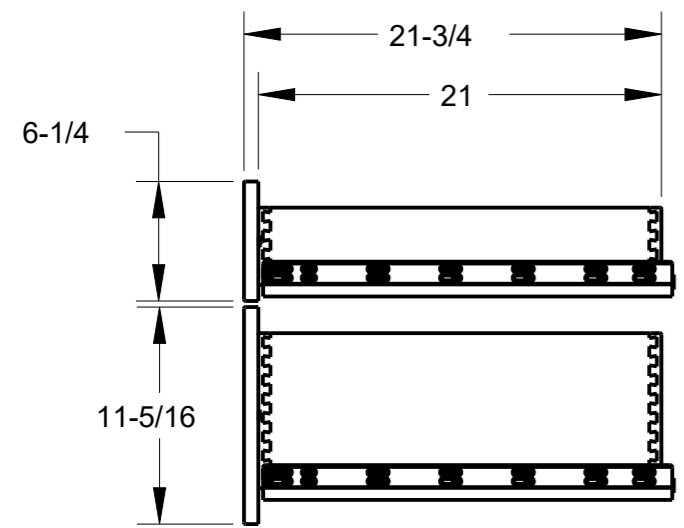
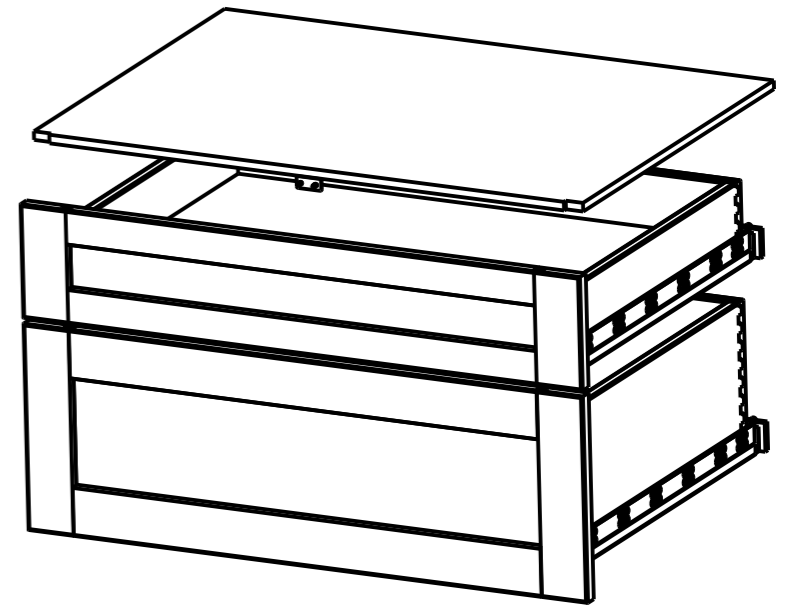
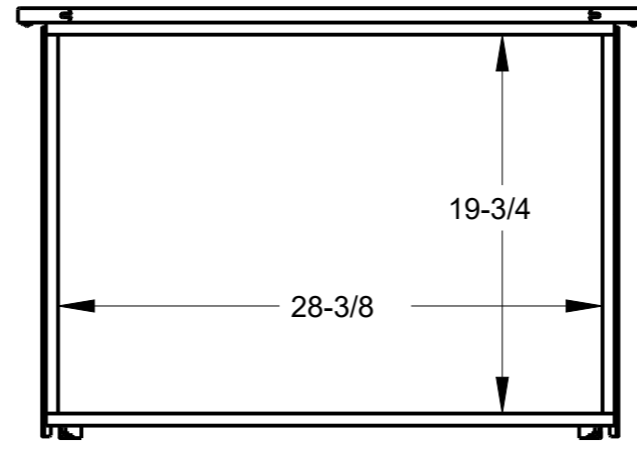
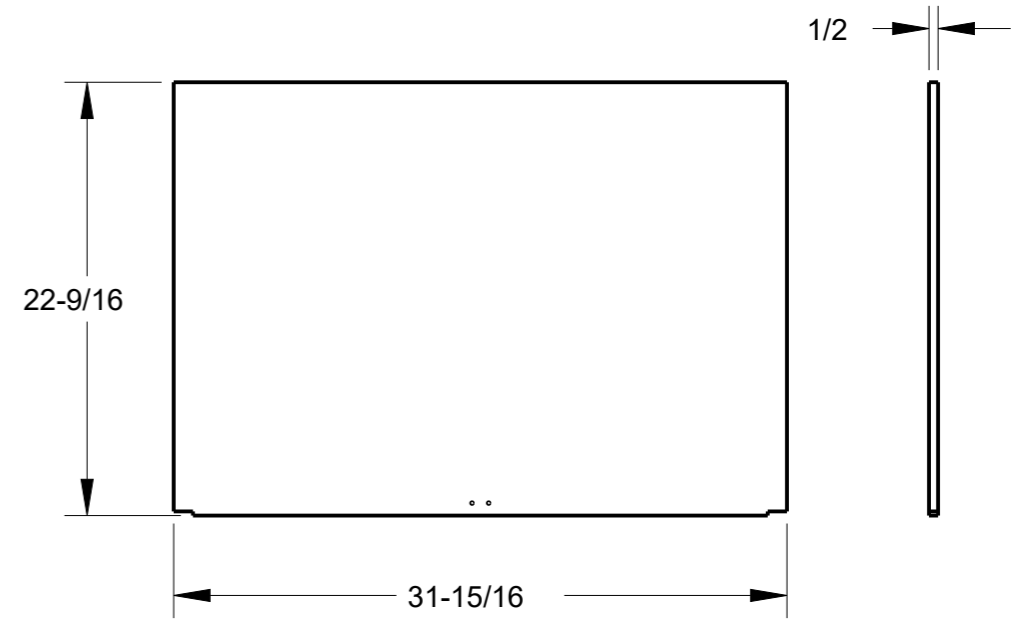
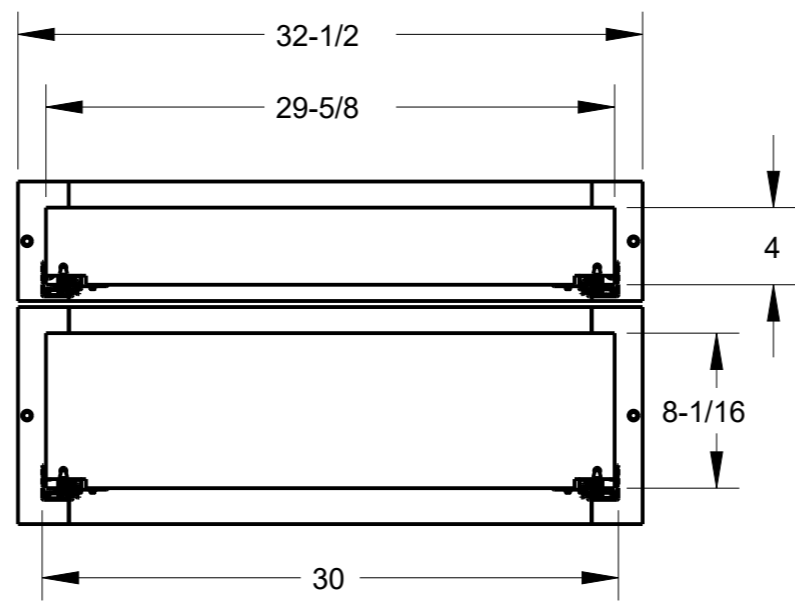


8 7 6 5 4 3 2 1

F
E
D
C
B
A



REAR BRACKETS NOT SHOWN



HARDWARE RESOURCES RESERVES THE RIGHT TO CHANGE SPECIFICATIONS WITHOUT NOTICE. IN CASE OF A DISCREPENCY, ACTUAL PART GEOMETRY SUPERSEDES THIS DOCUMENT.

THE INFORMATION CONTAINED WITHIN THIS DRAWING IS THE SOLE PROPERTY OF HARDWARE RESOURCES INC. ANY REPRODUCTION IN PART OR WHOLE WITHOUT WRITTEN PERMISSION OF HARDWARE RESOURCES INC. IS PROHIBITED.

DOCUMENT STATUS Released	
UNLESS OTHERWISE SPECIFIED DIMENSIONS ARE IN INCHES (IN)	
MATERIAL N/A	FINISH N/A
THIRD ANGLE PROJECTION 	DATE 21MAY2025

DESCRIPTION OVD33D FULL OVERLAY		
DRAWING NUMBER OVD33D FULL		REV A
SIZE A3	SCALE 0.100	SHEET 1 / 1

8 7 6 5 4 3 2 1