



GUARD+®

38" x 38" shower base, center drain
95077

Features

- FHA/ANSI-B: Meets dimensional requirements for ICC ANSI A117.1 section 1104.11.3.1.3.3 and the Fair Housing Act Design Manual
- Low-threshold design for easy entry and exit
- Water containment bead incorporated into threshold design provides an optimum barrier, preventing water from escaping from shower space
- Single threshold for alcove installation
- Molded-in textured floor
- Three-sided integral flange



Material

- Acrylic

Installation

- Center drain
- Alcove
- Tile-down installation only

Recommended Products/Accessories

- K-9132 Shower Drain
- K-23726 Drain treatment

Codes/Standards

- CSA B45.5/IAPMO Z124
- ASTM E162
- ASTM E662

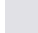
STERLING® Vikrell® or Acrylic Baths and Shower Bases Ten-Year Limited Warranty

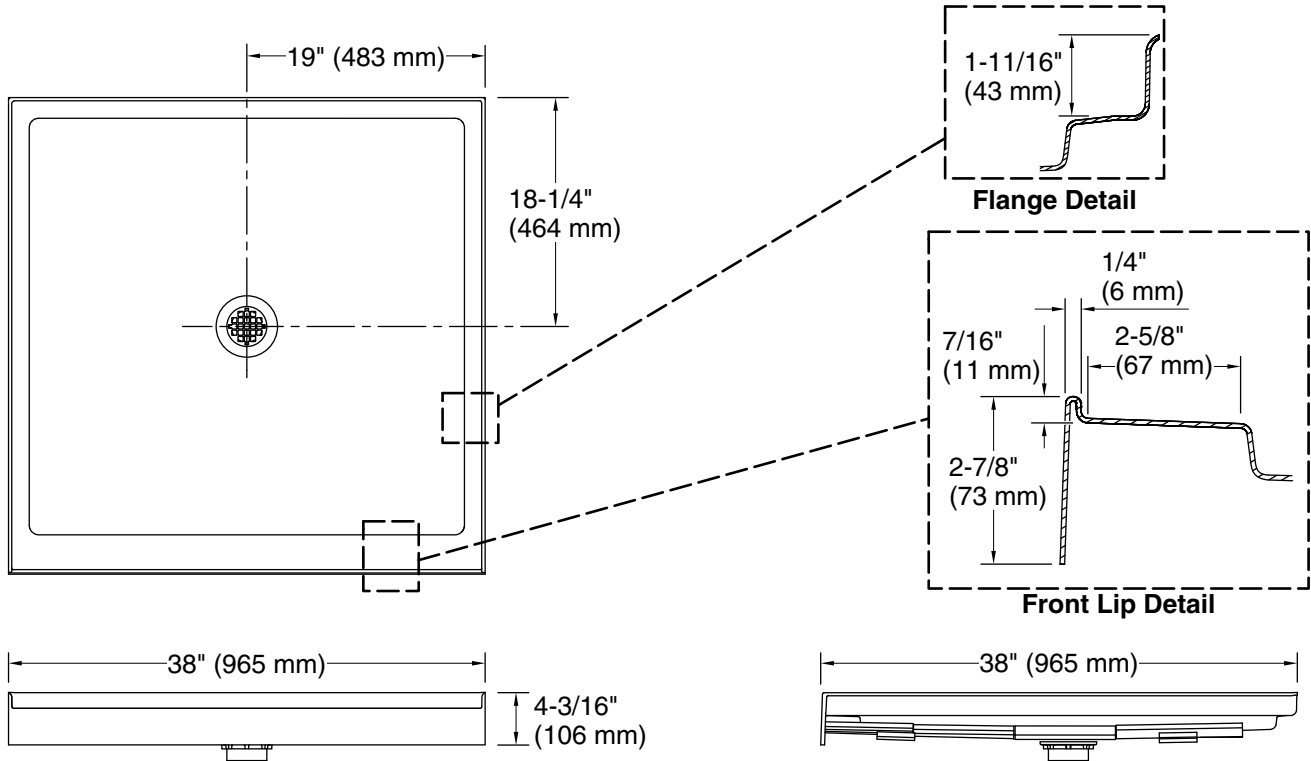
See website for detailed warranty information.

Available Colors/Finishes

Color tiles intended for reference only.

Color	Code	Description
-------	------	-------------

	0	White
---	---	-------



Technical Information

All product dimensions are nominal.

- Drain location: Center
- Weight: 33.32 lbs (15.1 kg)
- Minimum flat for door: 2-5/8" (67 mm)

Notes

Install this product according to the installation instructions.

Subfloor must be within 1/2" (13 mm) of level. This receptor has a front lip. This should be taken into account when installing a shower door.

Measure your actual product for rough-in details. If roughing-in prior to having product, stud opening to be 1/2" (12.7 mm) larger than product dimension.