

Job Name:

Engineer/Architect:

Job Location:

Wholesaler:

Submittal Date:

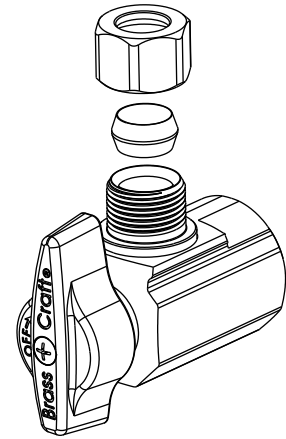
Contractor:

KTR07/15/17/37X 1/4 Turn Angle Ball Stop – Female Iron Pipe x Compression

Use: For use in potable water distribution systems in accessible locations only.

Design Features:

- **Machined brass ball** is specially engineered and mated with PTFE seats to provide smooth operation.
- **Two high-performance o-rings** withstand high temperatures and corrosion.
- **Machined, one-piece brass body** provides strength, durability and long-lasting performance.
- **Brass stem** is assembled from the inside out with two o-rings to ensure safe, reliable performance.
- **Plated stem** provides corrosion resistance and prevents o-ring damage.
- **Metal handle** is designed for durability, corrosion resistance and a sleek appearance.
- **Easy-to-remove handle** with screw attachment helps protect against accidental stop operation during rough-ins.
- **100% leak tested.**
- **No-lead brass material** meets compliance for safe drinking.



Operating Specifications:

Temperature: 40° - 180°F

Pressure: 125 PSI maximum

STOP MATERIAL SPECIFICATIONS	
Body	Brass, plated
Stem	Brass, plated
Seat	PTFE
Ball	Brass, plated
Stem o-ring	Rubber
Handle	Zinc die cast, plated
Handle Screw	Steel, zinc plated
Compression Sleeve	Brass
Compression Nut	Brass, plated

This specification and all information contained herein is the confidential and exclusive property of BrassCraft Manufacturing Company and shall not be disclosed to others without the written consent of BrassCraft. This specification must be returned to BrassCraft if requested.

**Products shown may differ from those available in the Canadian market.*

400.03 KTR07/15/17/37X 1/4 Turn Angle Ball Stop - FIP x Comp REV 9.25

BrassCraft®

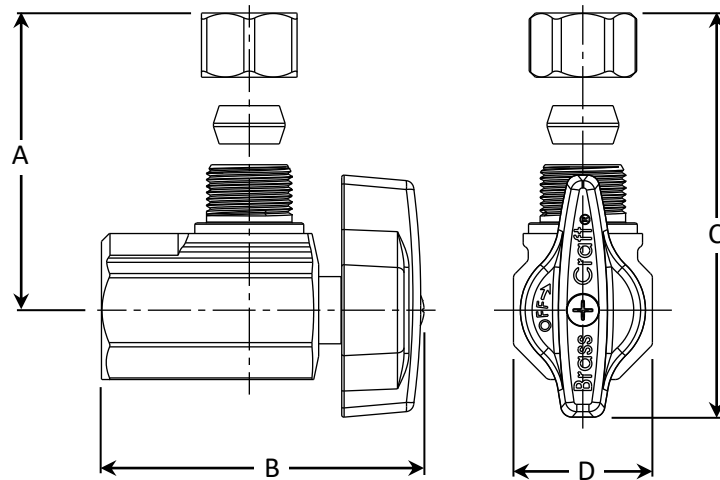
© 2025 BrassCraft Manufacturing Company

KTR07/15/17/37X 1/4 Turn Angle Ball Stop – Female Iron Pipe x Compression

Part Listing:

- KTR07X C 1/2" FIP x 1/4" OD Compression, Chrome Plated
- KTR07X CM 1/2" FIP x 1/4" OD Compression, Chrome Plated, Contractor 5 Pack
- KTR15X C 3/8" FIP x 3/8" Od Compression, Chrome Plated
- KTR15X C1 3/8" FIP x 3/8" OD Compression, Chrome Plated, Window Tray
- KTR15L1X CB 3/8" FIP x 3/8" OD Compression, Less Nut, Chrome Plated, Bulk
- KTR17X C 1/2" FIP x 3/8" OD Compression, Chrome Plated
- KTR17X C1 1/2" FIP x 3/8" OD Compression, Chrome Plated, Window Tray
- KTR17X CM 1/2" FIP x 3/8" OD Compression, Chrome Plated, Contractor 5 Pack
- KTR17L1X CB 1/2" FIP x 3/8" OD Compression, Less Nut, Chrome Plated, Bulk
- KTR37X C 1/2" FIP x 1/2" OD Compression, Chrome Plated
- KTR37X CM 1/2" FIP x 1/2" OD Compression, Chrome Plated, Contractor 5 Pack

PART DIMENSIONS (Inches)				
Model	DIM. A	DIM. B	DIM. C	DIM. D
KTR07X	1.14	2.13	1.92	.91
KTR15X	1.20	2.13	1.92	.91
KTR17X	1.20	2.13	1.92	.91
KTR37X	1.32	2.13	2.02	.91



Listings & Certifications:

- IAPMO listed to ASME A112.18.1 / CSA B125.1 (includes NSF/ANSI 372 and NSF/ANSI/CAN 61)



This specification and all information contained herein is the confidential and exclusive property of BrassCraft Manufacturing Company and shall not be disclosed to others without the written consent of BrassCraft. This specification must be returned to BrassCraft if requested.

**Products shown may differ from those available in the Canadian market.*