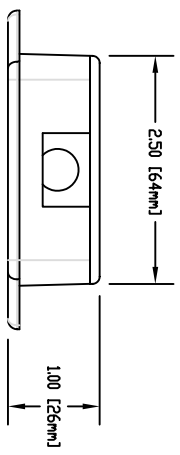
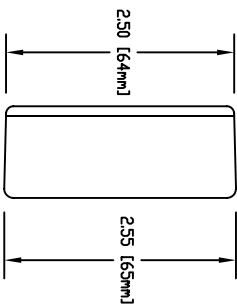
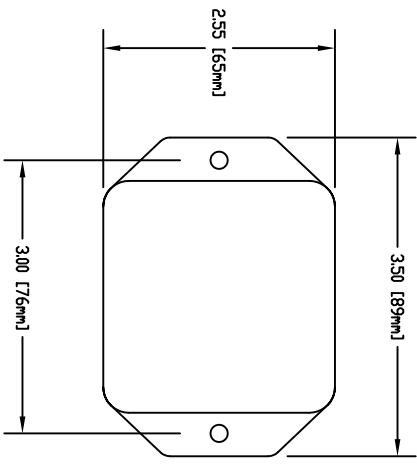


REV	CD	DATE	DESCRIPTION	BY
1		11/21/08	RELEASE	

REVISED RECORDS



<b>REVISIONS</b> TOLERANCES EXCEPT AS NOTED DIMENSIONS IN MILLIMETERS		<b>REVISIONS</b> DIMENSIONS IN INCHES DIMENSIONS IN MILLIMETERS	
DATE	BY	DATE	BY
MATERIAL: SEE MECHANICAL PARTS FINISH:		TITLE:	
PART NO. TBD QUANTITY: 100		TITLE:	
DRAWN BY: TBD CHECKED BY: TBD		TITLE:	
APPROVED BY: TBD DATE:		TITLE:	
NO NET SCALE SHOWN NET SCALE:		TITLE:	

**RH-433 DIVERALL DIMENSIONS**

REMOTEC TECHNOLOGIES INC.

