



# Summerville Deluxe

**P-PACK:  
01-7121**

Models:  
01-1146  
6954

Copyright © 2025 Gorilla Playsets  
All Rights Reserved

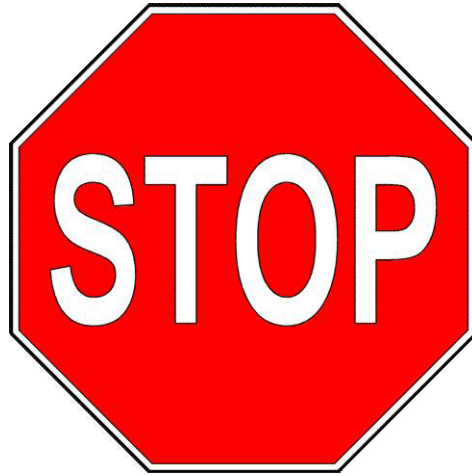
Backyard Products  
317 S. Main St.  
Ann Arbor, MI 48104

[www.gorillaplaysets.com](http://www.gorillaplaysets.com)



51-1144-W

REV: 01-28-2026



Please inspect and inventory all parts immediately upon accepting delivery. Use the inventory pages in the manual to make sure you have received all necessary parts. The quickest method to get any parts that are missing or damaged is to use our “Quick Response Center” located at:

**[www.gorillaplaysets.com/customer-care](http://www.gorillaplaysets.com/customer-care)**

DO NOT RETURN THIS PRODUCT TO THE RETAILER OR CONTACT THE RETAILER DIRECTLY. THE RETAILER DOES NOT STOCK COMPONENTS.

PLEASE RETAIN ALL INSTRUCTIONS FOR FUTURE REFERENCE. KEEP THEM IN A SAFE PLACE WHERE YOU CAN REFER TO THEM AS NEEDED. CHECK FOR REVISED INSTRUCTIONS AT:

**[www.gorillaplaysets.com/assembly-manuals](http://www.gorillaplaysets.com/assembly-manuals)**

## GORILLA PLAYSETS WARRANTY – 2025

---

Gorilla Playsets® (“Gorilla”) warrants its play sets to be free from defects in workmanship and materials, under normal use and conditions, for 10 years for above ground structural wood components and for one year for all other components (e.g., swings, hardware, plastics, tarps, rope ladder, etc.).

Gorilla warrants all remaining products, including but not limited to its, Malibu Playhouse, Free Standing Swing Set, Free Standing Tire Swing, See-Saw, Children’s Picnic Table with Umbrella, Play-Zee-Bo™, Cedar Toy Chest, Interlocking Sandbox and spring riders to be free from defects in workmanship and materials, under normal use and conditions, for a period of 1 year.

**Cosmetic imperfections and natural tendencies of wood such as peeling, splintering, warping, seasonal checking or cracking, knots or knot holes, etc. are normal characteristics of all outdoor wooden play equipment and are not covered by this warranty. Checks or cracks in wood components that do not affect the intended function of the part, piece or overall swing set are not covered under this warranty.**

Wood rot or decay that develops because the product was installed in an area with poor drainage is not covered under this warranty. Lumber that has been damaged by wood boring bees, or conditions that develop as a result of faulty or improper installation of the product, are not covered by this warranty. Fading of stain, discoloration or mold on any wood part or accessory is not covered by this warranty. Cracks in plastic components, surface rust on hardware and chips on powder coated materials are not considered defects in material as long as they do not affect the functionality or structural integrity of the part or component.

It is the owner’s responsibility to maintain the swing set. **This includes but is not limited to staining and sealing the lumber as needed and regular inspection to be sure all hardware is tight.** Instructions for proper maintenance can be found on Gorilla’s website. Imperfections or conditions that develop because of a failure to properly maintain the swing set are not covered by this warranty.

Gorilla will, at its discretion, replace any above ground part within the stated warranty period that is defective in workmanship or materials. This decision is subject to verification of the defect, which, at Gorilla’s discretion, may be accomplished by submitting photographs or by delivery of the defective part to Gorilla Playsets • 317 S. Main St. Ann Arbor, MI 48104 • 1-800-882-0272 Monday to Friday 9AM-5PM EST. Any warranty claim must include proof of purchase, including the date of purchase. **In addition, within the first 30 days from the date of purchase, Gorilla will replace any parts discovered to be missing from or damaged in the original packaging.**

This warranty is valid only if the product is used for the purpose for which it was designed and installed at a residential, single-family dwelling. This warranty is void if the product is used in a commercial, institutional or multi-family setting. **This warranty does not cover normal wear and tear or (a) products that have been damaged by acts of God and/or nature, negligence, misuse or accident; (b) products that have been modified or repaired by unauthorized persons; (c) the cost of labor; or (d) the cost of shipping any replacement product or part.**

GORILLA DISCLAIMS ALL OTHER REPRESENTATIONS AND WARRANTIES OF ANY KIND, EXPRESSED, IMPLIED, STATUTORY OR OTHERWISE, INCLUDING THE IMPLIED WARRANTIES OF MERCHANTABILITY AND FITNESS FOR A PARTICULAR PURPOSE. GORILLA WILL NOT BE LIABLE FOR ANY INCIDENTAL OR CONSEQUENTIAL DAMAGES. This warranty is non-transferable and does not extend to the owners of the product subsequent to the original purchaser. Some states do not allow limitations on implied warranties or exclusion of incidental or consequential damages, so these restrictions may not be applicable to you. This warranty gives you specific legal rights. You may also have other rights which vary from state to state.

# IMPORTANT SAFETY GUIDELINES

This product is recommended for use by children ages 3-11. This product is intended for residential use only and not intended for use in any public setting. A safety surface such as mulch or recycled tire should be used under the play set to prevent injury from falls. Also a 6 foot safety zone should be used around the entire play set.

As with any home project, good judgment and respect for power tools will greatly reduce the risk of injury. Gorilla recommends you follow all tool manufacturers' safety guidelines. Always wear eye protection and safety gloves to prevent injury. In several phases of construction two people may be required for lifting and securing of lumber. While the play set is being constructed, please keep children off the equipment until the project is complete. Bolts and screw heads should be checked regularly for tightness. The ground ladder, rope ladder, slide, swings and other areas where children spend a majority of their playtime should be checked more frequently.

Gorilla shall not be liable for incidental, indirect or consequential damages or injuries that result from building and/or playing on our play sets. Adult supervision is recommended anytime a play set is being used.

## WEIGHT LIMITS FOR GORILLA PLAYSETS

- FORT PLATFORM: 800 LBS. , PORCH PLATFORM 300 LBS.
- CHILDREN'S PORCH SWING: 150 LBS.
- SWING BELT: 225 LBS.
- TANDEM SWINGS: 70 LBS. PER CHILD. UP TO 140 LBS. TOTAL WEIGHT.
- TRAPEZE: 125 LBS.
- FULL BUCKET SWING/ HALF BUCKET SWING: 50 LBS.
- HEAVY DUTY TODDLER BUCKET SWING: 85 LBS.
- INFANT SWING: 35 LBS.
- TIRE SWING: 125 LBS. TOTAL WEIGHT
- ROPE LADDER: 75 LBS.
- ROCK WALL: 150 LBS.
- CLIMBING RAMP: 150 LBS.
- MONKEY BARS: 175 LBS.
- ALL SLIDES: 150 LBS.

Gorilla recommends that the weight limits for all components must not be exceeded. Failure to adhere to these and other safety guidelines could result in damage to the play set and injury to the users.

# PRODUCT REGISTRATION

- MODELS: 01-1144, 6950 -

Gorilla Playsets™ manufactures the finest quality products that are designed for outstanding strength and durability. We back our products with unparalleled warranties. In the unlikely event that you need to contact us about covered repairs, we must have a valid Product Registration on file.

3 EASY WAYS TO REGISTER	
<b>OPTION 1</b>	Complete the online registration form at: <a href="https://www.gorillaplaysets.com/product-registration">https://www.gorillaplaysets.com/product-registration</a> 
<b>OPTION 2</b>	Fax this completed form to: <b>(678) 880-3300</b>
<b>OPTION 3</b>	Mail this completed form to: <b>Backyard Products</b> 317 S. Main St. Ann Arbor, MI 48104

## Where did you buy this product?

Date of Purchase \_\_\_\_\_ Store \_\_\_\_\_ Store City \_\_\_\_\_ Store State \_\_\_\_\_

## Your registration information:

Name: \_\_\_\_\_ Email: \_\_\_\_\_

Swing Set Model: \_\_\_\_\_

Address: \_\_\_\_\_  
Street City State Zip

Please select  18-30  41-50  
your age  31-40  51+

How old are  2-3  6-7  
your children?  4-5  8+

Number of   
children

How would  ★ ★ ★ ★ ★ Excellent  
you rate the  ★ ★ ★ ★ Above Average  
quality of this  ★ ★ ★ Average  
product?  ★ ★ Below Average  
 ★ Poor

## PRODUCT REVIEW

We'd love to know what you think about your new Gorilla Playset!

Please visit our website to leave a review or scan this QR code.



**THIS PAGE INTENTIONALLY LEFT BLANK**

## **IMPORTANT – PLEASE READ**

Congratulations! You have just purchase one of the finest residential wooden swing sets available today. As with any wooden product that spends its entire life outside, in varying elements, it is important to know what to expect with your new swing set so that your family can enjoy it for many years.

As your swing set acclimates to its new environment, natural characteristics of the wood can show in the form of checks, or “cracks” in the lumber. In almost all cases this is normal and it will not affect the structural integrity of your play set and is not covered under warranty.

## **KEEPING YOUR PLAYSET LIKE NEW**

### **MUST DO’s**

**The following owner responsibilities are crucial to the safety, integrity and aesthetic appeal of your swing set and may affect the warranty if not adhered to.**

#### **WITHIN 60 DAYS**

- Check and tighten Hex Bolts/T-nuts, Carriage Bolts/Lock-nuts, and Lag Screws within the first 60 days and then twice annually – once before each season and then once during the season.

#### **WITHIN 90 DAYS**

- Apply a **sealant** or **semi-transparent stain with sealant** within the first 90 days of owning the swing set. Our own Stain/sealant is available online here: <http://www.gorillaplaysets.com/Playground-Sealant-p/10-0003.htm>

Oil based stain or water based stain may be used. Should you choose to use other stain we suggest asking the product covering specialists at any number of specialty paint stores or home improvement centers for a product that would work best for your local environment. \*\* TIP – while the set is new, take a small board from the store with you so they can color match the tint of the stain or sealant.

### **SEASONAL REMINDERS**

- If your area experiences regular snowfall, remove your fabric tarp/canopy to avoid stretching, sagging or tearing of the material. Store it inside, folded up, and it will be as good as new when winter is over.
- If your area experiences extremely cold temperatures, remove swing belts and other pliable features to prolong the lifespan of these play activities.

### **OTHER TIPS**

- Spray swing hangers with Pam, Mazola or olive oil to stop squeaking; do not use petroleum based products such as WD-40 or motor oil.
- To repel yellow jackets and wasps, use a cotton ball and dab interior wooden corners underneath the play set deck with a liquid dish soap. Avoid using insecticides.
- To speed up the slide wipe the center of slide with wax paper every 2 - 3 weeks.

For additional safety and maintenance guidelines, please visit our website.



# IMPORTANT DOCUMENTS

## CUSTOMER MUST READ AND RETAIN

Please go to the following links and read important SAFETY information prior to using your new play structure.

<http://www.gorillaplaysets.com/safety-tips/>

<https://www.gorillaplaysets.com/suggested-maintenance>

<http://www.gorillaplaysets.com/assembly-manuals/>

(Click on your specific model)

<http://www.gorillaplaysets.com/warranty/>

**NOTE:** Your children's safety is our #1 concern. Observing the following statements and warnings reduces the likelihood of serious injury. Please review these safety rules regularly with your children.

### **WARNING:**

*Children must NOT use this play set until it has been completely assembled and inspected by an adult to ensure it has been properly installed.*

Backyard Products  
317 S. Main St.  
Ann Arbor, MI 48104



**Series: 721W**

Models:  
01-1146, 6954

REV: 01.28.2026

# TABLE OF CONTENTS

Safety Guidelines.....	Pages 3-7
Leveling Fort, General Information and Definitions.....	Pages 7-9
How to Install T-nuts, Board Identification, Predrill Lag Screw Directions and Swing Beam Loading.....	Pages 10-14
Site Plan, Safety Zone, Required Tool List and Kit Contents.....	Pages 15-17
Hardware, Lumber and Accessory Checklists.....	Pages 18-40
Adding T-Nuts to Corner Posts.....	Step 1
Framing Fort.....	Steps 2-9
Mounting Deck.....	Step 10
Center Posts and Porch Assembly.....	Steps 11-36
Rock Wall Assembly/Installation.....	Steps 37- 41
Panel Slats on main deck.....	Step 42
Swing Beam Assembly.....	Steps 43-50
Wood Roof Assembly.....	Steps 51-58
Hanging Swings and Safety Board.....	Steps 59-60
Picnic Table Assembly and Installation.....	Steps 61-63
Slide, Telescope.....	Steps 64-65
Safety Handles and Flag Kit.....	Steps 66-67
Sandbox Seats/Plates, Plastic Sunbursts,Ground Stakes and Steering - Wheel.....	Steps 68-71
Plastic Plugs and Porch Anchors.....	Steps 72-73
Part 2 Children’s Porch Swing assembly and installation.....	Pages 116-125
Appendix: Chimney and Dormers.....	Page 126

**PLEASE READ OWNER’S MANUAL CAREFULLY  
BEFORE STARTING ASSEMBLY!**

# Safety and Maintenance Tips for Your New Play Set:

**NOTE: Your children's safety is our #1 concern. Observing the following statements and warnings reduces the likelihood of serious or fatal injury. Please review these safety rules regularly with your children.**

- This play set is designed for the use of 4 occupants who have a combined weight not exceeding 800 pounds on the elevated floor, 3 occupants who have a combined weight of 425 pounds on the swing area, 2 occupants on the porch deck who have a combined weight of 300 pounds and 2 occupants on the porch swing who have a combined weight of 150 lbs for a total Unit capacity of 11 occupants who have a combined weight of 1675 lbs. (This weight does not include any picnic table area(s).)
- On-site adult supervision is required.
- Teach children not to walk close to, in front of, behind, or between moving swings or other moving playground equipment.
- Teach children to sit in and never stand on swings
- Teach children not to twist the chains and ropes and not to loop them over the swing beam, since this may reduce the strength of the chain or rope.
- Teach children not to jump from swings or other playground equipment in motion.
- Teach children not to push empty seats. The seat may hit them and cause serious injury.
- Teach children to sit in the center of the swings with their full weight on the seats.
- Teach children not to use the equipment in a manner other than intended.
- Teach children to always go down slides feet first. Never slide headfirst.
- Teach children to look before they slide to make sure no one is at the bottom.
- Teach children to never run up a slide, as this increases their chances of falling.
- The parents should have the children dress appropriately with well-fitting shoes. No clogs, flip-flops, or sandals are allowed. Loose clothing such as scarves, ponchos or capes should not be worn. Always take off, tie up or tuck in cords and drawstrings on children's clothing. These things can get caught on playground equipment and strangle a child.
- Teach children not to climb when the equipment is wet.
- Teach children to never jump from a fort deck. They should always use the ladder, ramp or slide.
- Teach children to never crawl or walk across the top of monkey bars or swing beam.
- Teach children to never crawl on top of a fort roof or on the outside of a tube slide.
- Verify that any suspended climbing ropes, chains, or cables are secured at both ends and that they cannot be looped back onto itself.
- Teach children not to attach items to the playground equipment that are not specifically designed for use with the equipment, such as, but not limited to, jump ropes, clothesline, pet leashes, cables and chain as they may cause a strangulation hazard.
- Teach children to never wrap their legs around swing chain.
- Teach children to never slide down the swing chain.
- Teach children to remove their bike or other sports helmet before playing on the playground equipment.
- Teach children to NEVER look at the sun or other bright light through any accessory such as but not limited to a telescope, periscope or binoculars.
- Never add extra length to chain or rope. The chains or ropes provided are the maximum length designed for the swings.

**WARNING: Children must NOT use this play set until it has been completely assembled and inspected by an adult to insure it has been properly installed and the swing beam legs are anchored.**

# **Safety and Maintenance Tips for Your New Play Set: (continued)**

Playgrounds should be inspected on a regular basis. If any of the following conditions are noted, they should be removed, corrected or repaired immediately to prevent injuries.

- Hardware that is loose, worn or that has protrusions or projections.
- Exposed equipment footings.
- Scattered debris, litter, rocks, or tree roots.
- Splinters, large cracks and decayed wood components.
- Deterioration and corrosion on structural components, which connect to the ground.
- Swing chains, rings, ropes, etcetera should always be fastened to a rotating swing hanger. NEVER attach a chain, ring, rope, etcetera to a stationary hanger such as but not limited to an eye bolt. Severe wear could occur leading to an injury.
- Missing or damaged equipment conditions, such as but not limited to handholds, guardrails or swing seats.

## **At the beginning of each play season:**

- Owners shall be responsible for maintaining the legibility of all warning labels. Replace as required.
- Tighten all hardware. (But not so tight that you crack the wood.)
- Oil all metallic moving parts.
- Check all protective coverings on bolts, pipes, edges and corners. Replace if they are loose, cracked or missing.
- Check all moving parts including swing seats, ropes, cables and chains for wear, rust, or other deterioration. Replace as needed. Replacement should be made of any swing seat that has developed cracks in the plastic seat.
- Check metal parts for rust. If found, sand and repaint using a nonlead-based paint meeting the requirements of 16 C.F.R. 1303. These requirements are available at: <http://www.cpsc.gov/>
- Check all wood members for deterioration and splinters. Sand down splinters and replace deteriorating wood members. Once or twice a year, depending on your climate conditions, you must apply some type of protection (sealant) to the wood or your play set. Please note this is a requirement of your warranty.
- Reinstall any plastic parts, such as swing seats or any other items that were removed for the cold season.
- Rake and check depth of loose fill protective surfacing materials to prevent compaction and to maintain appropriate depth. Replace as necessary.
- Creating and maintaining the play set on a level location is very important. As your children play, your play set will slowly dig its way into the soil, and it is very important that it settles evenly. Make sure the play set is level and true.

## **Twice a month during play season:**

- Tighten all hardware. (But not so tight that you crack the wood.)
- Check all protective coverings on bolts, pipes, edges and corners. Replace if they are loose, cracked or missing.
- Rake and check depth of loose fill protective surfacing materials to prevent compaction and to maintain appropriate depth. Replace as necessary.

## **Once a month during play season:**

- Oil all metallic moving parts.
- Check all moving parts including swing seats, ropes, cables and chains for wear, rust, or other deterioration. Replace as needed. Replacement should be made of any swing seat that has developed cracks in the plastic seat.

## **At the end of each play season or when the temperature drops below 32°F:**

- Remove plastic swing seats and take indoors or do not use.
- Rake and check depth of loose fill protective surfacing materials to prevent compaction and to maintain appropriate depth. Replace as necessary.

## **Disposal Instructions:**

When the playset is no longer desired or when it reaches the end of its lifetime it should be disassembled and disposed of in such a way that no unreasonable hazard will exist at the time the playset is discarded.

# PLAYGROUND SURFACING MATERIALS

## SECTION 4 OF THE CONSUMER PRODUCT SAFETY COMMISSION'S OUTDOOR HOME PLAYGROUND SAFETY HANDBOOK<sup>9</sup>

### Select Protective Surfacing

One of the most important things you can do to reduce the likelihood of serious head injuries is to install shock-absorbing protective surfacing under and around your play equipment. The protective surfacing should be applied to a depth that is suitable for the equipment height in accordance with ASTM Specification F 1292. There are different types of surfacing to choose from; whichever product you select, follow these guidelines:

**NOTE:** Do not install home playground equipment over concrete, asphalt, or any other hard surface. A fall onto a hard surface can result in serious injury to the equipment user. Grass and dirt are not considered protective surfacing because wear and environmental factors can reduce their shock absorbing effectiveness. Carpeting and thin mats are generally not adequate protective surfacing. Ground level equipment – such as a sandbox, activity wall, playhouse or other equipment that has no elevated play surface – does not need any protective surfacing.

### Loose-Fill Materials:

- ❑ Maintain a minimum depth of 9 inches of loose-fill materials such as wood mulch/chips, engineered wood fiber (EWF), or shredded/recycled rubber mulch for equipment up to 8 feet high; and 9 inches of sand or pea gravel for equipment up to 5 feet high. NOTE: An initial fill level of 12 inches will compress to about a 9-inch depth of surfacing over time. The surfacing will also compact, displace, and settle, and should be periodically refilled to maintain at least a 9-inch depth.
- ❑ Use a minimum of 6 inches of protective surfacing for play equipment less than 4 feet in height. If maintained properly, this should be adequate. (At depths less than 6 inches, the protective material is too easily displaced or compacted.)
- ❑ Use containment, such as digging out around the perimeter and/or lining the perimeter with landscape edging. Don't forget to account for water drainage. U.S. Consumer Product Safety Commission, Washington, D.C., 20207 or call the toll-free hotline :1-800-638-2772
- ❑ Check and maintain the depth of the loose-fill surfacing material. To maintain the right amount of loose-fill materials, mark the correct level on play equipment support posts. That way you can easily see when to replenish and/or redistribute the surfacing.
- ❑ **Do not** install loose fill surfacing over hard surfaces such as concrete or asphalt.

### Poured-In-Place Surfaces or Pre-Manufactured Rubber Tiles:

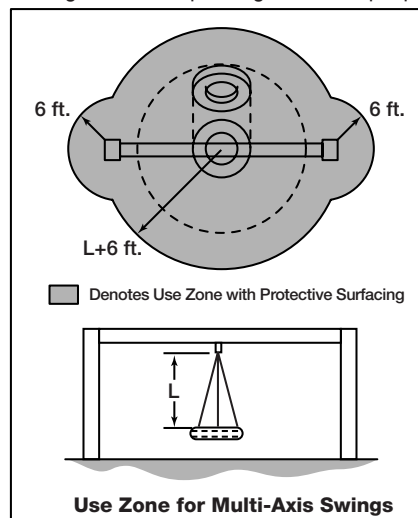
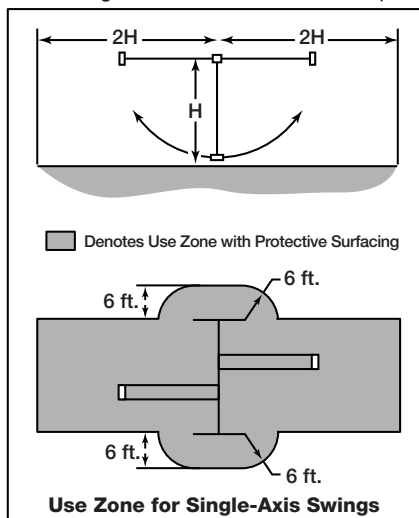
You may be interested in using surfacing other than loose-fill materials – like rubber tiles or poured-in-place surfaces.

- ❑ Installations of these surfaces generally require a professional and are not "do-it-yourself" projects.
- ❑ Review surface specifications before purchasing this type of surfacing. Ask the installer/manufacturer for a report showing that the product has been tested to the following safety standard: ASTM F 1292 Standard Specification for Impact Attenuation of Surfacing Materials within the Use Zone of Playground Equipment. This report should show the specific height for which the surface is intended to protect against serious head injury. This height should be equal to or greater than the fall height – vertical distance between a designated play surface (elevated surface for standing, sitting, or climbing) and the protective surfacing below – of your play equipment.
- ❑ Check the protective surfacing frequently for wear.

### Placement

Proper placement and maintenance of protective surfacing is essential. Be sure to

- ❑ Extend surfacing at least 6 feet from the equipment in all directions.
- ❑ For to-fro swings, extend protective surfacing in front of and behind the swing to a distance equal to twice the height of the top bar from which the swing is suspended.
- ❑ For tire swings, extend surfacing in a circle whose radius is equal to the height of the suspending chain or rope, plus 6 feet in all directions.



<sup>9</sup> This information has been extracted from the CPSC publications "Playground Surfacing—Technical Information Guide" and "Handbook for Public Playground Safety." Copies of these reports can be obtained by sending a postcard to the: Office of Public Affairs, U.S. Consumer Product Safety Commission, Washington, D.C., 20207 or call the toll-free hotline: 1-800-638-2772

# Play Set Surfacing Recommendations:

Below are some of the recommendations that the U.S. Consumer Product Safety Commission (CPSC) offers from its Handbook for Public Playground Safety. The guide can be downloaded in full at [www.cpsc.gov/PageFiles/122149/325.pdf](http://www.cpsc.gov/PageFiles/122149/325.pdf)

**1. Protective Surfacing** - Since almost 60% of all injuries are caused by falls to the ground, protective surfacing under and around all playground equipment is the most critical safety factor on playgrounds.

Certain manufactured synthetic surfaces also are acceptable; however, test data on shock absorbing performance should be requested from the manufacturer.

Asphalt and concrete are unacceptable. They do not have any shock absorbing properties. Similarly, grass and turf should not be used. Their ability to absorb shock during a fall can be reduced considerably through wear and environmental conditions.

Certain loose-fill surfacing materials are acceptable. Surfacing materials are acceptable, such as the types and depths shown in the table.

## Fall Heights and Materials

Type Of Material	6 in. depth	9 in. depth	12 in. depth
Double-Shredded bark mulch	6' Fall Height	10' Fall Height	11' Fall Height
Wood Chips	6' Fall Height	7' Fall Height	12' Fall Height
Fine Sand	5' Fall Height	5' Fall Height	9' Fall Height
Shredded Tires*	10-12' Fall Height	N/A	N/A
Fine Gravel	6' Fall Height	7' Fall Height	10' Fall Height

\*This data is from tests conducted by independent testing laboratories on a 6-inch depth of uncompressed shredded tire samples produced by four manufacturers. The tests reported critical heights, which varied from 10 feet to greater than 12 feet. It is recommended that persons seeking to install shredded tires as a protective surface request test data from the supplier showing the critical height of the material when it was tested in accordance with ASTM F1292.

*It should be recognized that all injuries due to falls cannot be prevented no matter what surfacing material is used.*

**2. Fall Zones** - A fall zone, covered with a protective surfacing material, is essential under and around equipment where a child might fall. This area should be free of other equipment and obstacles onto which a child might fall. Stationary climbing equipment and slides should have a fall zone extending a Minimum of 6' in all directions from the perimeter of the equipment.

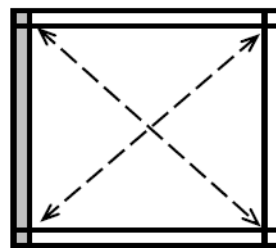
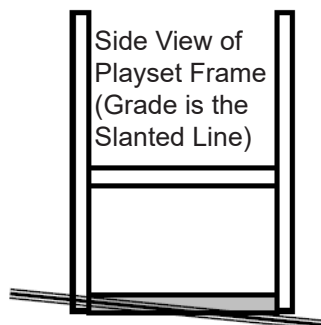
Swings should have a fall zone extending a minimum of 6' from the outer edge of the support structure on each side. The fall zone in front and back of the swing should extend out a minimum distance of twice the height of the swing as measured from the ground to the top of the swing support structure.

## LEVELING YOUR FORT DURING ASSEMBLY

- Complete the steps which will be the basic frame of the fort. {i.e. four corner posts with base (sand box boards) and deck supports}
- Position in the most level area chosen for the play set, keeping in mind the location and size of the swing beam, ladder, slides, etc. that extend off the fort.
- Once the frame is in the final position, check for vertical and horizontal levelness to determine which side(s) will need to be dug into the ground to level the play set.
- With a shovel, score the ground around the outside edges of the sandbox boards on the 'high' side of the fort. This is the area that will be dug in. Make sure to score deep enough; the scored lines will be your digging template.
- Push the frame off and away from the scored area, far enough to dig and remove dirt to reach the appropriate depth.
- Dig a channel along the scored line(s) for the base of the fort (corner post and sandbox boards) to rest into. Dig the channel(s) to the same level depth. The bottom of the channel(s) should be level to each other so your frame doesn't teeter or rock because the channel(s) are uneven.
- Once you have removed enough grass and dirt, slide/push the frame into the channel(s). Place a level on the vertical and horizontal boards of the frame to determine if enough soil, or too much, was removed.
- Repeat this process until the basic frame is plumb and level and in its final position before completing the rest of the assembly.
- Measure to make sure fort is square.

**Important: if you require a channel depth of more than 6", then we recommend you have your play set area professionally graded before completing assembly.**

*Example Play area:*



The diagonal measurements should be the same from corner post to corner post. If not, adjust corner posts so that the distance is equal.

■ = Area to be scored and channeled for levelness

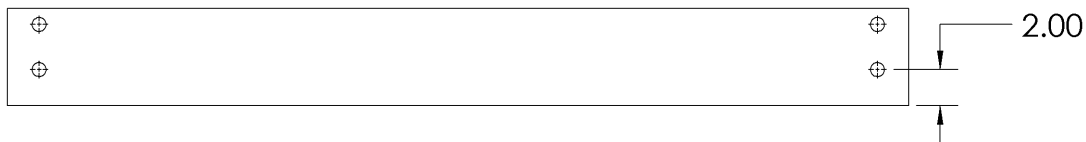
# General Info to Review Before Installation

- Depending on your experience, assembly of the playset can take as little as 6 hours up to 24 hours, depending on size, after inventory of parts; therefore, we recommend you set aside a full two days for assembly.
- Identify all of the parts for your play set. Empty each box and lay out boards so you can see each part. Your instruction book will have detailed drawings that will make it easy for you to recognize individual parts. Keep all hardware and metal parts separate from wooden pieces.
- After everything is laid out, check carefully to ensure all parts are present. Make sure there are no broken boards.
- Find an area to sort your hardware. It is best to open the hardware on a solid surface so that you do not lose any pieces in the grass. This will save time and familiarize you with all the different pieces in the hardware bag.
- Important note: Wood has some natural defects such as knots, surface cracks, etc... We reject parts that are structurally defective. We use a high quality lumber in our structures; however, you should inspect each part for splinters or rough spots and sand them smooth to prevent injury.
- After familiarizing yourself with all of the components, read all instructions thoroughly. Reading instructions after you have studied the parts will help you understand the installation process, and help to eliminate unnecessary mistakes.
- Pay close attention to the diameter and length of each bolt and screw.
- Never tighten hardware completely at first. It helps to have some adjustment for bolt alignment while you are attaching parts together. After everything is square, tighten each joint.
- After the main unit is assembled it is critical that the floor is level and square. If the main frame is not level, the walls and floor will be out of square.
- After you complete installation, make sure every bolt, screw, and nut is tight, and every board is secure. Wood will expand and contract with the seasons.
- Place the set on level ground, not less than 6 feet from any structure or obstruction such as a fence, garage, house, overhanging branches, laundry lines, or electrical wires.

**This page is a list of definitions and explanations used throughout our instructions to aid you in the assembly of your play set.**

**Offset Holes-** Throughout the installation procedures we will refer to parts with offset holes. This refers to the orientation of the holes on the board. An offset hole is one that is closer to one side than it is the other or in other words, it is not centered on the board. In the procedures you will be instructed to attach the boards with the holes offset up or with the holes offset down. This refers to which side of the board the hole/holes should be closer to. Offset holes up= hole/holes will be closer to the top of the board. Offset holes down= hole/holes will be closer to the bottom of the board. Note: some parts do not have offset holes, but instead the holes are on center. Therefore there will not be any reference on how to offset these parts.

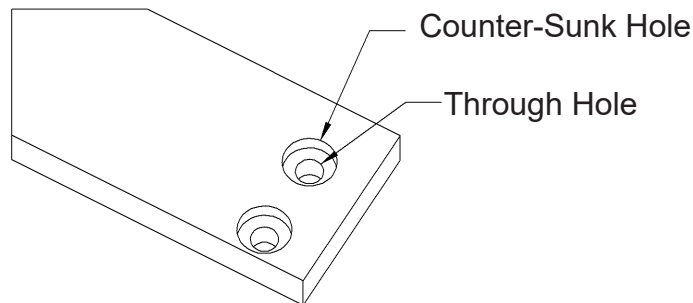
### **EXAMPLE OF OFFSET HOLES UP**



### **EXAMPLE OF OFFSET HOLES DOWN**



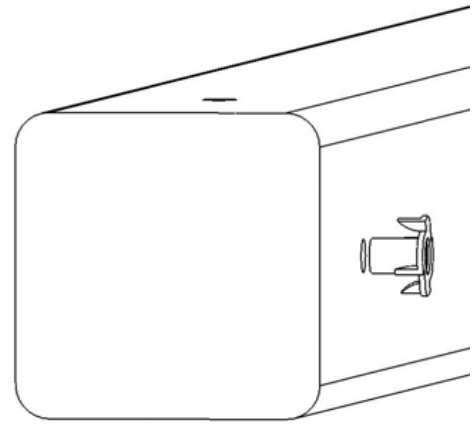
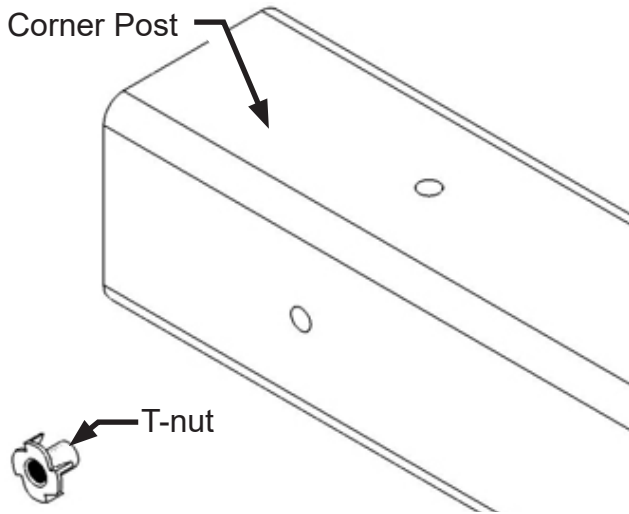
**Counter-sunk holes** - Many of the parts that will be used have counter-sunk holes. A counter-sunk hole is one that surrounds one side of a through hole, but does not extend through the wood it's self. When using a counter-sunk hole the bolt will be inserted through the through hole and either the head of the bolt and washer or nut and washer will occupy the counter sunk hole.



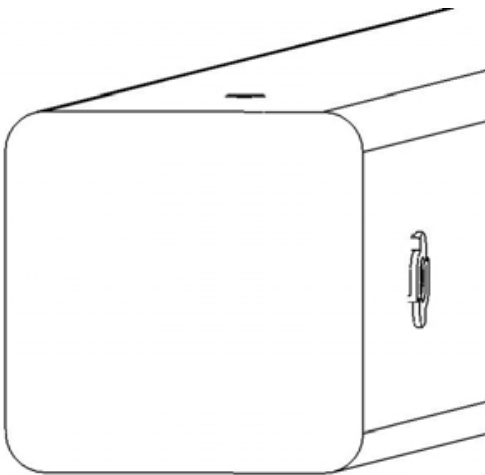
**Lag Screws-** Lag screws are used in the construction of our play sets to enhance the structural integrity of the unit. There will not be predrilled holes in the post for lag screw installation. Lag screws are self-tapping, though if you are using a manual socket wrench it may be advantageous to pre-drill a hole first. Instructions for this are provided on a separate page in the front of the manual. Be sure to tighten the lags completely when driving them in by hand. Power tools such as a heavy duty impact driver or large power drill should have enough torque to drive in the lag screws, but make sure not to over tighten as this can cause the threads to “strip out” in the post.

# Common Installation Practice Installing T-nuts

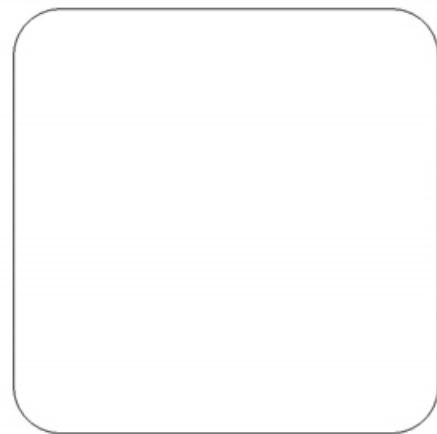
When installing T-nuts into the wood, use a smooth faced hammer to set the face of the T-nut flush into the wood.



Insert the barrel of the T-nut into the predrilled hole. Using a smooth faced hammer, drive the T-nut until the face of the T-nut is flush to the wood.

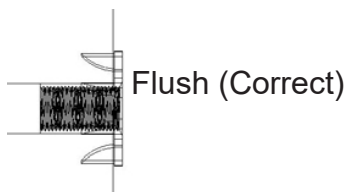


This picture shows the T-nut inserted and installed flush to the wood.



This picture shows an end view of the T-nut installed flush to the wood.

**WARNING: DO NOT EMBED THE TOP OF THE T-NUT INTO THE FACE OF THE WOOD**



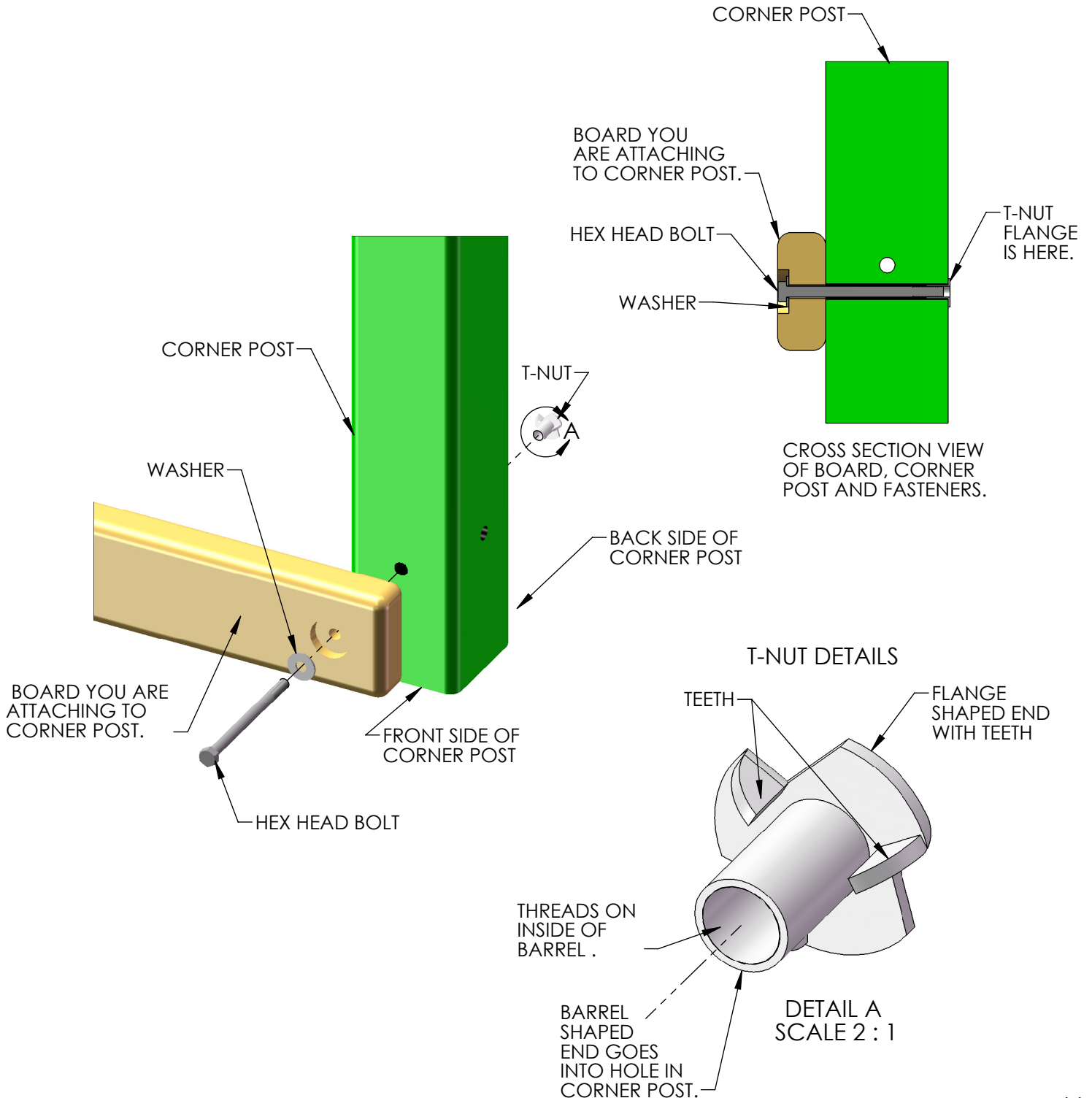
Cross Section end view, you are looking at an X-ray view of the post and T-nut. The barrel of the T-nut is in the corner post the line is the face of the wood.

# HOW A T-NUT WORKS

THE FIRST STEP IN OUR ASSEMBLY INSTRUCTIONS IS TO INSERT T-NUTS INTO THE CORNER POSTS. A T-NUT IS A FASTENER WHICH IS THREADED ON THE INSIDE AND IT FUNCTIONS JUST LIKE A STANDARD HEX NUT. YOU INSERT THE T-NUTS INTO THE PREDRILLED HOLES IN THE CORNER POSTS.

THE T-NUT HAS A BARREL SHAPED END WHICH GOES INTO THE HOLE IN THE CORNER POST. THE T-NUT ALSO HAS AN FLANGE SHAPED END WITH TEETH. THE TEETH PENETRATE INTO THE CORNER POST WOOD TO PREVENT THE T-NUT FROM SPINNING WHEN YOU TIGHTEN THE HEX HEAD BOLT.

SHOWN BELOW YOU WILL SEE THE T-NUT IS HAMMERED INTO THE CORNER POST ON THE BACK SIDE. THE BOARD IS BEING ATTACHED ON THE FRONT SIDE OF THE CORNER POST.

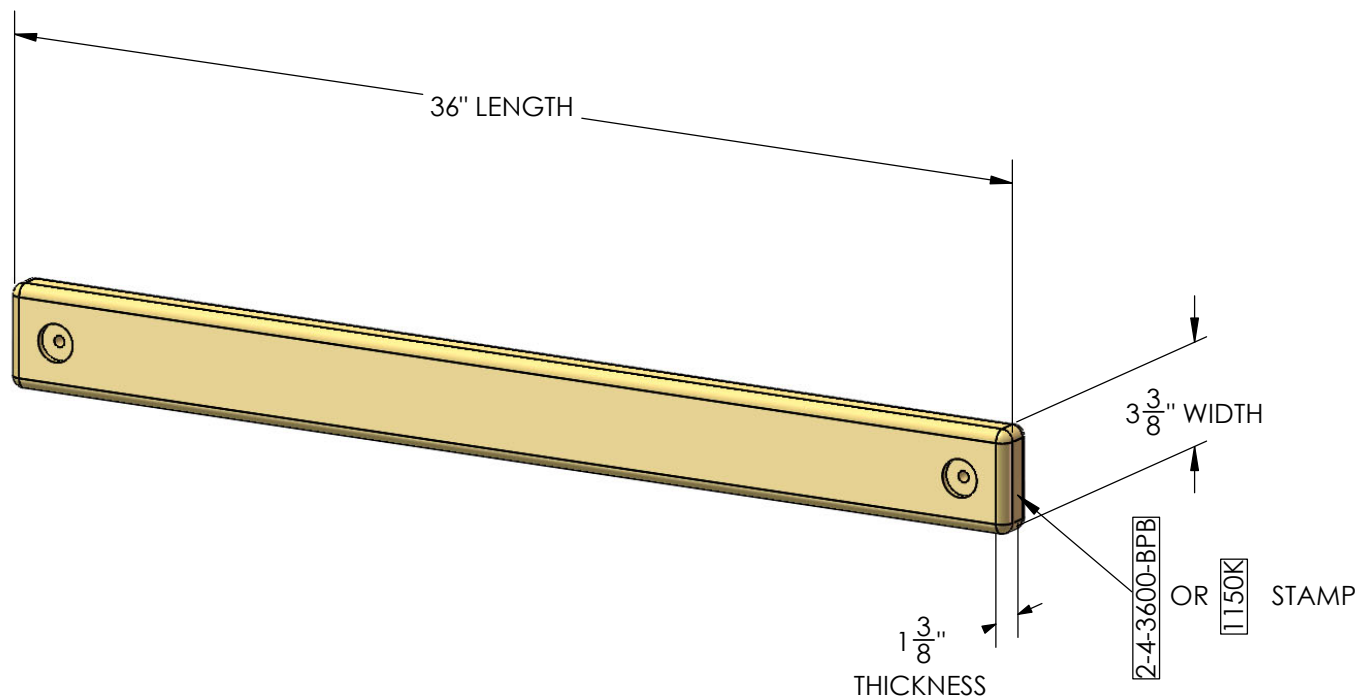


# BOARD IDENTIFICATION

1. A part number will be stamped on the end of each board.
2. On some parts this part number displays the thickness, width, length and an abbreviated description of the part. On other parts it is just a part number like 1150K

Example: a stamp reads "2-4-3600-BPB"

- The 2 is the thickness of the board. "Nominal Lumber" at a home center will measure 1-1/2" for the thickness. We "remill" that lumber to 1-3/8" thick.
- The 4 is the width of the board. "Nominal Lumber" at a home center will measure 3-1/2" for the width. We "remill" that lumber to 3-3/8" wide.  
Note: sometimes the width will be smaller than 3-3/8" because:  
A) We need the width of the part to fit into a certain area of the play set.  
B) We need the designation to be simple.
- The 3600 is the length of the board. It means the board is 36 inches long. If the code were 3625 then the board is 36-1/4" in length.
- The "BPB" abbreviation stands for "Bottom Panel Board". The wood part bill of materials in the instructions has a description which will match the abbreviation closely.
- In the event that there is no stamp on the part, measure the part then:  
A) Use the measurements and compare them to the wood list at the front of the instructions to identify it.  
B) Look at the holes on the wood part and compare them to the pictures in the wood list.  
C) Look to see if the holes are centered or if they are offset up or offset down.  
This should help you identify any parts that have missing tags. In the event that you cannot identify a board please contact us for assistance.



# PRE-DRILL LAG SCREW DIRECTIONS

Pre-drilling holes for lag screws will make it easier to drive the screws in by hand. "Jobber" length drill bits are available in sizes that are longer than standard drill bits and those are ideal for the job. When using the drill bit you will have to "spot" drill the post and then remove the board you are attaching to finish drilling the hole.

Pay attention to the *DIAMETER* of the lag screw you are installing. Your playset may come with two different diameter lag screws. Each diameter will require a different size drill bit. When installing lag screws **DO NOT OVERTIGHTEN.**

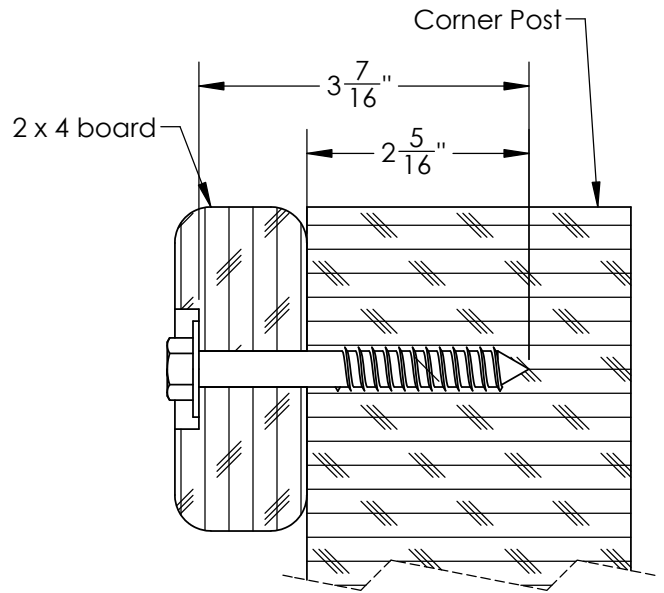
LAG SCREW DIAMETER	DRILL BIT SIZE
5/16" DIAMETER	9/64"
3/8" DIAMETER	11/64"

### Example: 3/8" diameter x 3-1/2" lag screw

This would be like the 2 x 4 board installation shown below. Place the board into position. Spot Drill through the holes in the 2 x 4 board into the corner posts with an 11/64" drill bit. Remove the 2 x 4 board. Continue to drill the holes to a total depth of 2-5/16" as shown at the right. Install the 2 x 4 board.

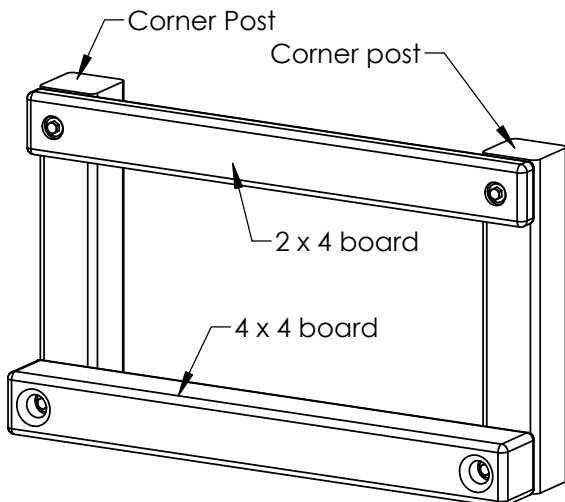
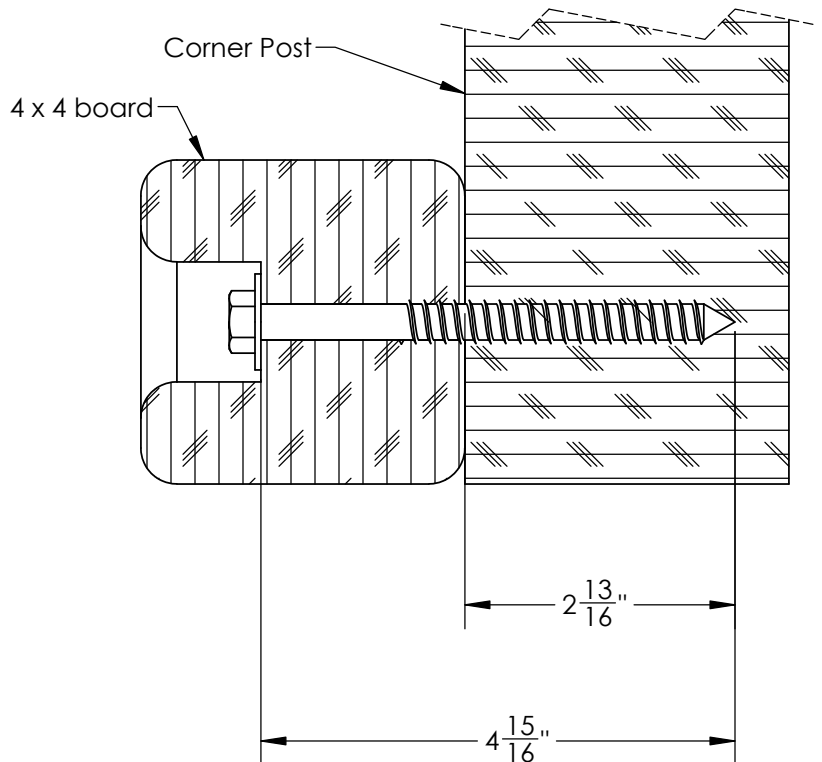
### Example 5/16" diameter x 3-1/2" lag screw

This would be like the 2 x 4 board installation shown below. Place the board into position. Spot Drill through the holes in the 2 x 4 board into the corner posts with an 9/64" drill bit. Remove the 2 x 4 board. Continue to drill the holes to a total depth of 2-5/16" as shown at the right. Install the 2 x 4 board.



### Example 3/8" diameter x 5" lag screw

This would be like the 4 x 4 board installation shown below. Place the board into position. Spot drill through the holes in the 4 x 4 board into the corner posts with an 11/64" drill bit. Remove the 4 x 4 board. Continue to drill the holes to a total depth of 2-13/16" as shown at the right. Install the 4 x 4 board.



# SWING BEAM LOADING

## Weight Limits for Accessories:

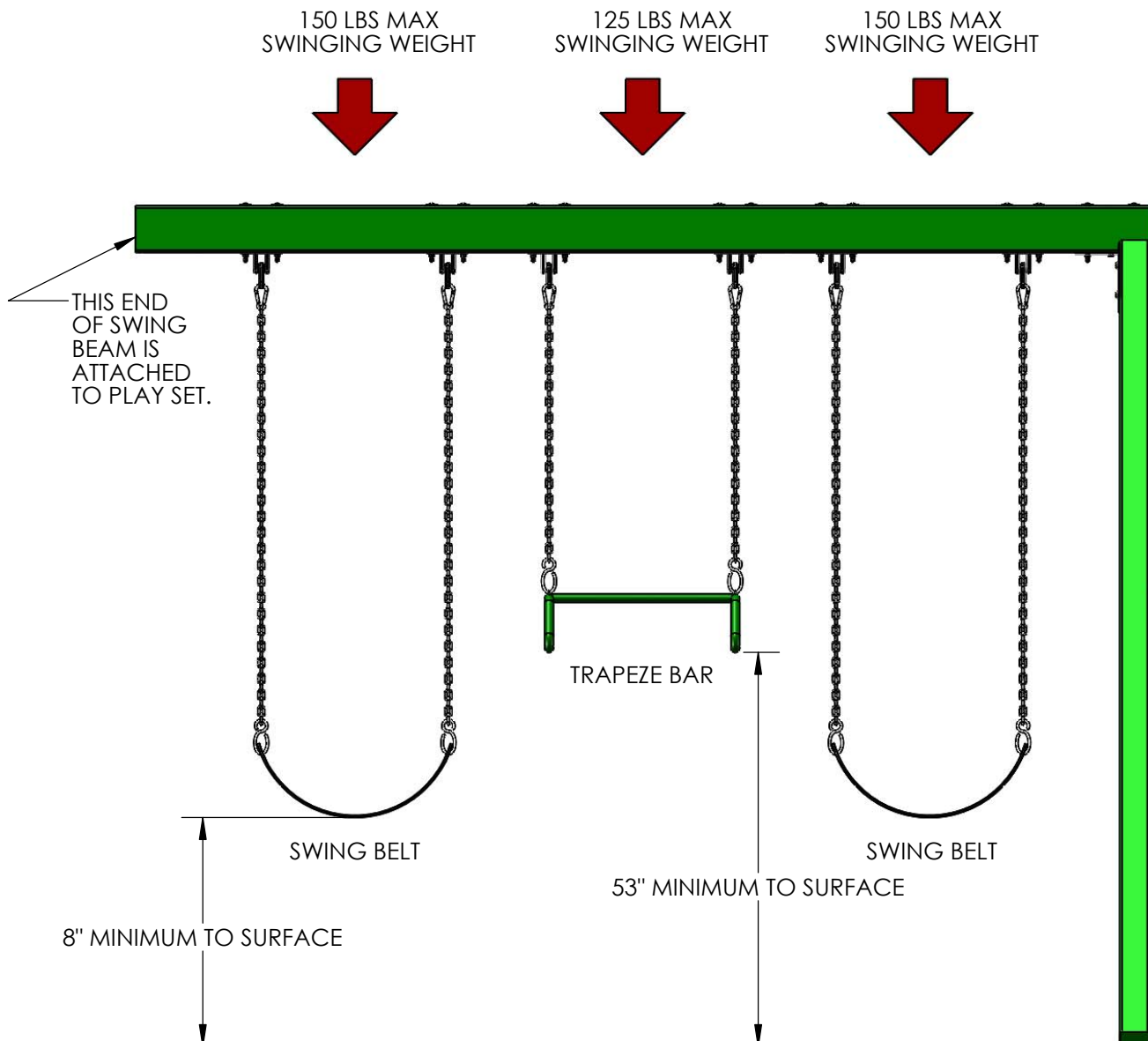
The weight limit for a Swing Belt is 225 lbs. (Although 150lbs is the maximum recommended swinging weight capacity for the swing position.)

The weight limit for a Trapeze Bar is 125 lbs.

## Maximum Allowable swinging weight for a three position swing:

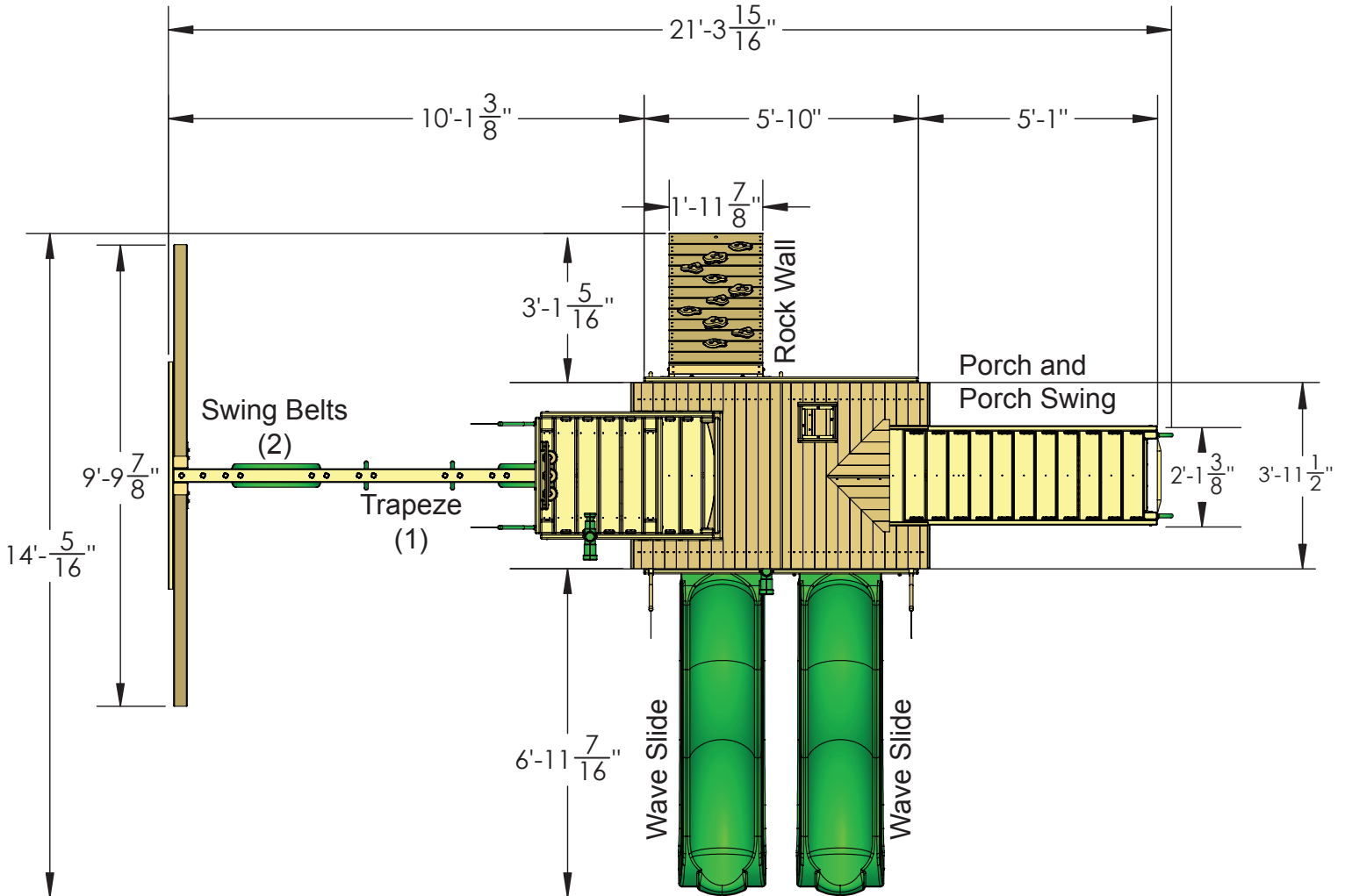
- 1) The maximum allowable swinging weight at each Swing Belt position is 150 lbs.
- 2) The maximum allowable swinging weight at the Trapeze position is 125 lbs.
- 3) The MAXIMUM SWING BEAM LOAD IS 425 lbs.

**MAXIMUM SWING BEAM LOAD IS 425 LBS.**



**Please familiarize yourself with the manual, parts/components and general construction process of your new playset before getting started.**

**SITE PLAN:**



Playset height: 11 feet - 2 inches

Fall Height: 7 feet - 2 inches

Swing Beam height: 7 feet - 7-1/2 inches

Deck height: 5 feet

Approximate assembly time: 8-10 hours

**(6) foot unobstructed safety perimeter around playset recommended**



## **REQUIRED TOOL LIST:**

- \_\_\_ Standard or Cordless Drill w/ #2 and #3 Phillips Bits (#2 square bit provided)
- \_\_\_ Drill Bits 1/8", 3/8", 9/64", 11/64", 3/16", 7/32"
- \_\_\_ T-30 Torx bit
- \_\_\_ 7/16" Wrench
- \_\_\_ 1/2" Wrench and Socket
- \_\_\_ 1/2" Deep Well Socket
- \_\_\_ 9/16" Deep Well Socket
- \_\_\_ 9/16" Wrench and Socket
- \_\_\_ Adjustable Wrench
- \_\_\_ Level
- \_\_\_ Tape Measure
- \_\_\_ Extension Cord (if using standard drill)
- \_\_\_ Hammer
- \_\_\_ Pencil
- \_\_\_ Locking Pliers (Vise Grips)
- \_\_\_ 2 - 6" ratchet clamps and 2 - 12" ratchet clamps
- \_\_\_ Shovel
- \_\_\_ (OPTIONAL) 16" Concrete Bit for Anchor-Its Please see Step 79 if your area has rocky soil.

## **KIT CONTENTS:**

### **Swings, Slides, Accessories:**

- \_\_\_ (Qty ) Description
- \_\_\_ (2) Swingbelts w/ Chains
- \_\_\_ (1) Trapeze Swing
- \_\_\_ (1) Wave Slide
- \_\_\_ (10) Rock Wall Grips (assorted colors)
- \_\_\_ (1) Telescope
- \_\_\_ (1) Safety Handles (pair)
- \_\_\_ (2) Flag Kit
- \_\_\_ (1) Logo Plate
- \_\_\_ (1) Ground Stakes (pair) - plastic
- \_\_\_ (1) Tic Tac Toe
- \_\_\_ (1) Steering Wheel
- \_\_\_ (2) Plastic Sunburst 07-0028-G
- \_\_\_ (2) Plastic Dormer Sunburst 07-0031
- \_\_\_ (2) 16" Metal Safety Handles
- \_\_\_ (1) Children's Porch Swing
- \_\_\_ (1) Assembly Manual

### **Fort Hardware:**

*see following pages*

### **Swing Beam Hardware:**

*see following pages*

### **Wood Components:**

*see following pages*



#14 X 1-1/4"  
 PAN HEAD SCREW  
 QTY: 4

#8 X 1"  
 WOOD SCREW  
 QTY: 2



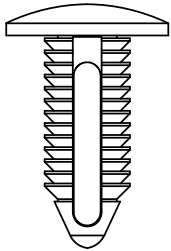
#8 X 2"  
 WOOD SCREW  
 QTY: 157



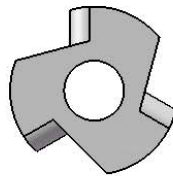
#8 X 2-1/2"  
 WOOD SCREW  
 QTY: 52



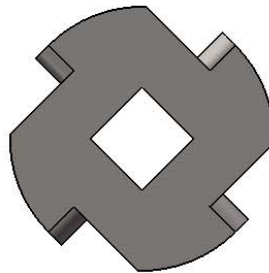
#8 X 3"  
 WOOD SCREW  
 QTY: 20



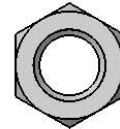
3/8"  $\phi$  X 1-1/8"  
 BLACK PLASTIC  
 PLUG  
 QTY: 6



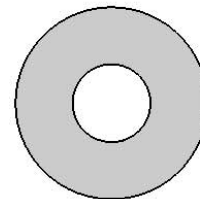
5/16" TEE NUT  
 QTY: 18



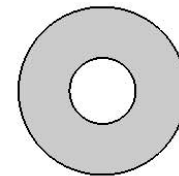
TORQUE WASHER  
 QTY: 17



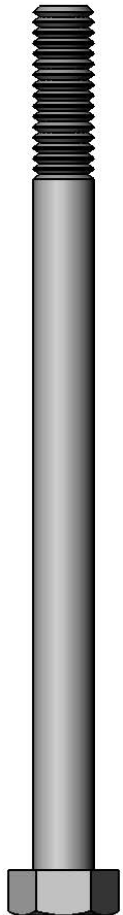
3/8" LOCK NUT  
 QTY: 19



3/8" WASHER  
 QTY: 31



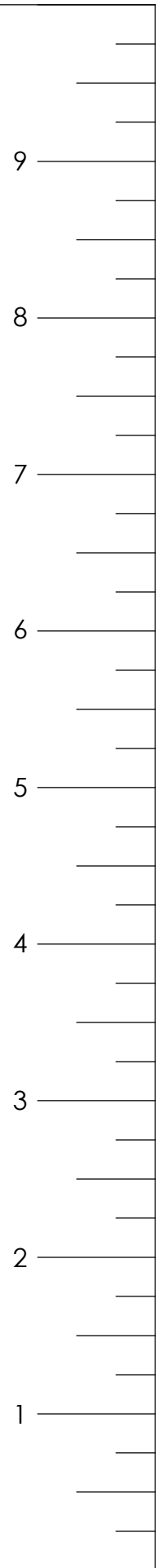
5/16" WASHER  
 QTY: 30



5/16 X 4-1/2"  
 HEX BOLT  
 QTY: 14



5/16 X 1-1/2"  
 HEX BOLT  
 QTY: 4

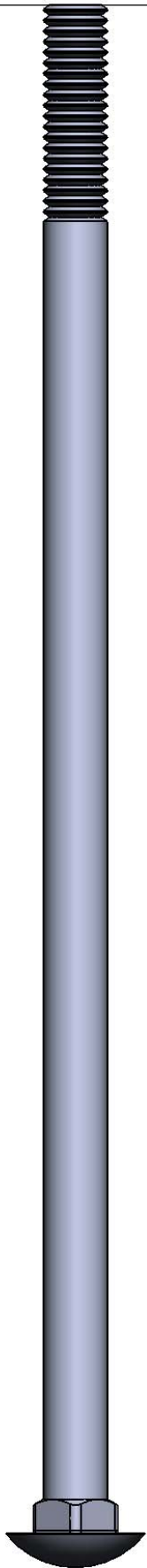


USE THE RULER TO THE RIGHT TO MEASURE YOUR BOLTS AND SCREWS. PICTURE VIEWS SHOWN ABOVE ARE 1:1 SCALE AND CAN BE USED TO MATCH BOLT AND SCREW SIZES.

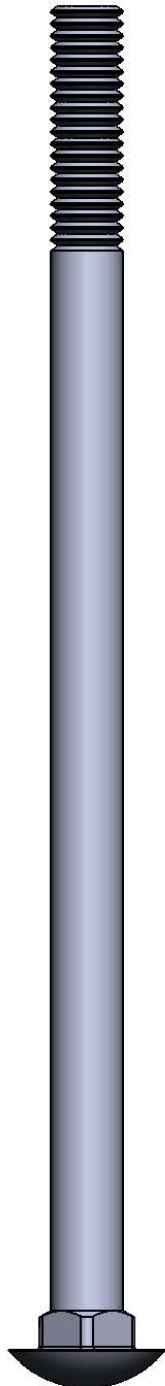
1501 HARDWARE  
 PAGE: 2 OF 2  
 REV A: 9/10/2014 JH

5/16" X 3-1/2"  
 HEX LAG  
 SCREW  
 QTY: 12

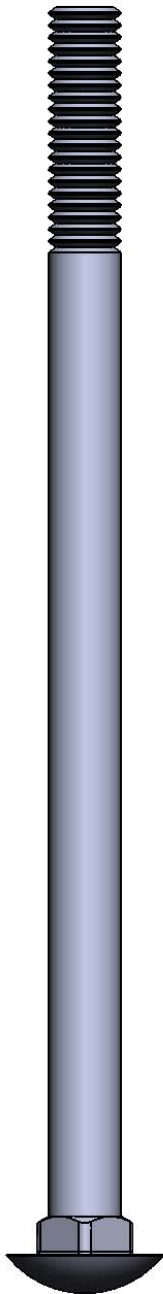
3/8 X 3-1/2"  
 HEX LAG SCREW  
 QTY: 12



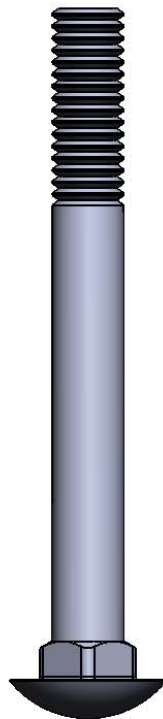
3/8 x 9"  
 CARRIAGE BOLT  
 QTY: 1



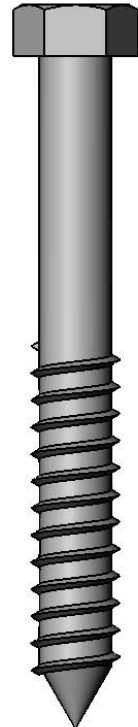
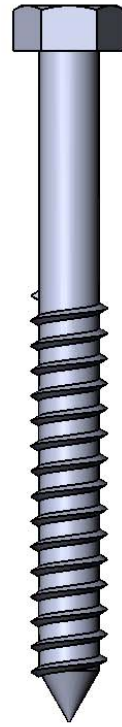
3/8 x 7"  
 CARRIAGE BOLT  
 QTY: 14



3/8 x 6-1/2"  
 CARRIAGE BOLT  
 QTY: 2



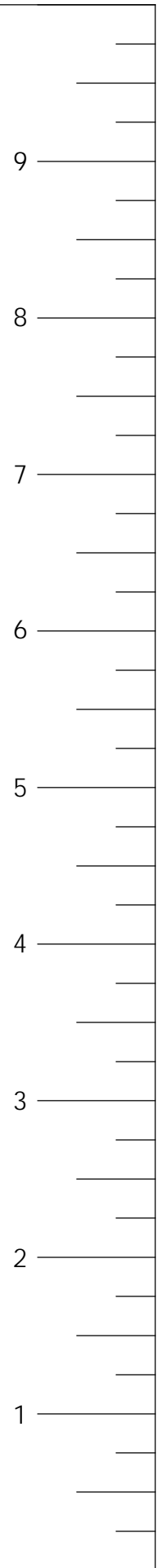
3/8 x 3-1/2"  
 CARRIAGE BOLT  
 QTY: 2



#2 SQUARE  
 DRIVE BIT  
 QTY: 1



PLASTIC  
 BOLT CAP  
 QTY: 19



USE THE RULER TO THE RIGHT TO MEASURE YOUR BOLTS AND SCREWS. PICTURE VIEWS SHOWN ABOVE ARE 1:1 SCALE AND CAN BE USED TO MATCH BOLT AND SCREW SIZES.

#8 X 1-1/4"  
 WOOD SCREW  
 QTY: 6



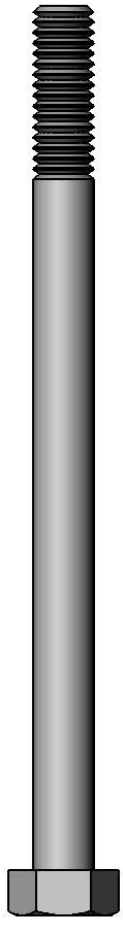
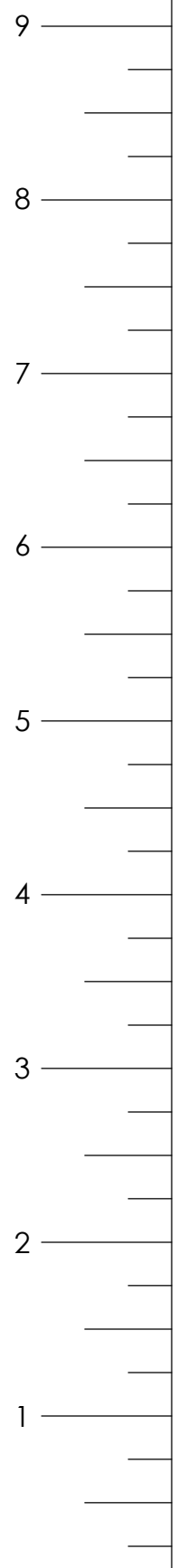
#8 X 1-1/2"  
 WOOD SCREW  
 QTY: 56



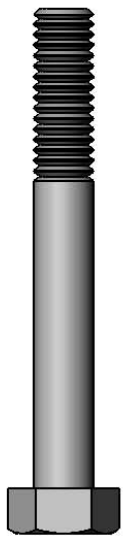
#8 X 2"  
 WOOD SCREW  
 QTY: 30



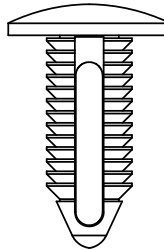
#8 X 2-1/2"  
 WOOD SCREW  
 QTY: 8



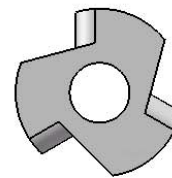
5/16 X 4-1/2"  
 HEX BOLT  
 QTY: 4



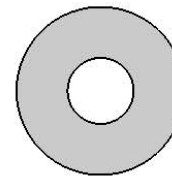
5/16 X 2-1/2"  
 HEX BOLT  
 QTY: 2



3/8"  $\phi$  X 1-1/8"  
 BLACK PLASTIC  
 PLUG  
 QTY: 4

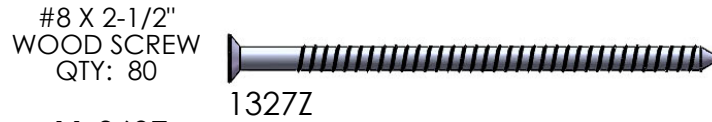
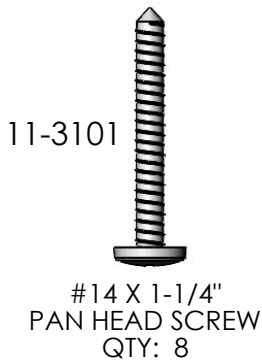


5/16" TEE NUT  
 QTY: 6

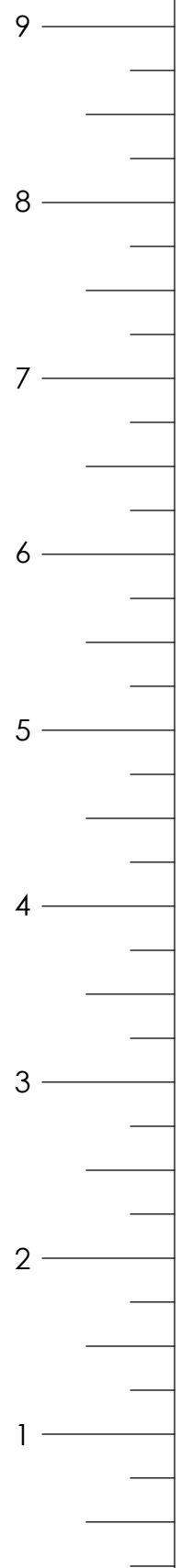
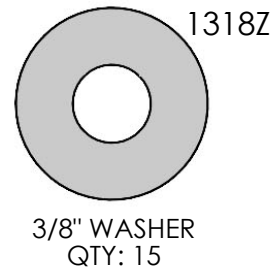
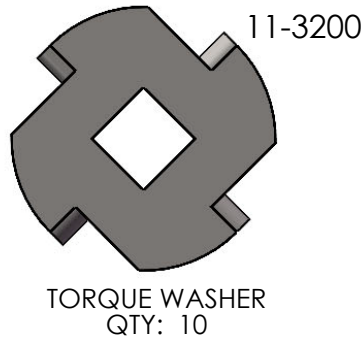
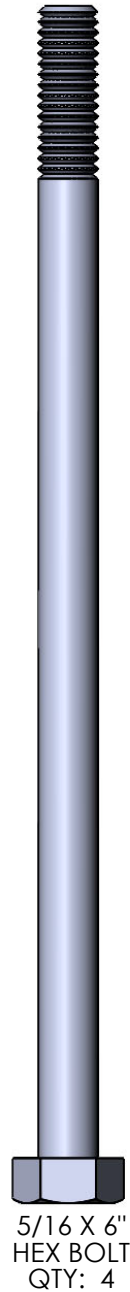
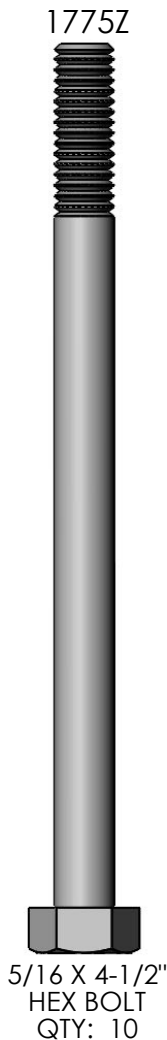
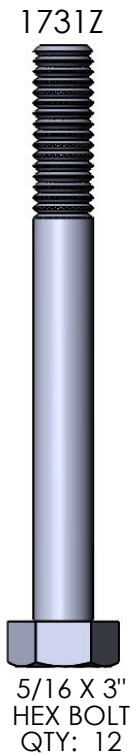


5/16" WASHER  
 QTY: 6

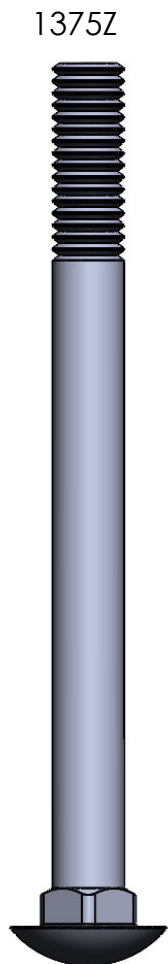
USE THE RULER TO THE RIGHT TO MEASURE YOUR BOLTS AND SCREWS. PICTURE VIEWS SHOWN ABOVE ARE 1:1 SCALE AND CAN BE USED TO MATCH BOLT AND SCREW SIZES.



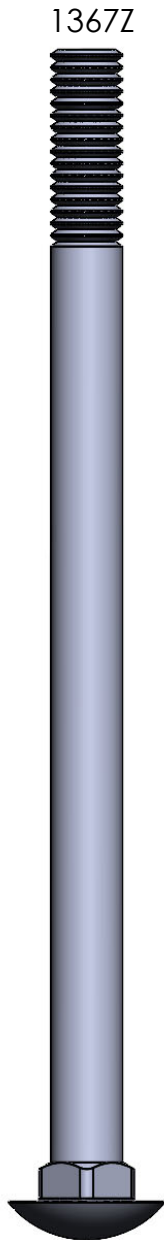
11-3607



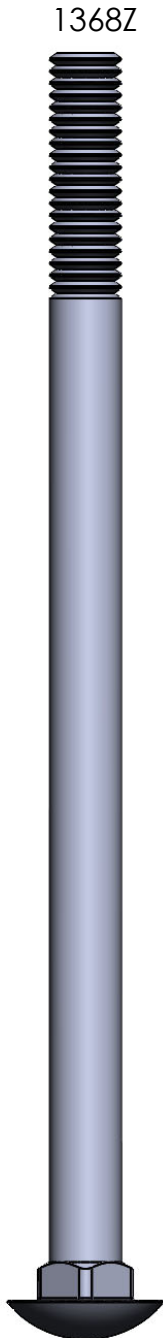
USE THE RULER TO THE RIGHT TO MEASURE YOUR BOLTS AND SCREWS. PICTURE VIEWS SHOWN ABOVE ARE 1:1 SCALE AND CAN BE USED TO MATCH BOLT AND SCREW SIZES.



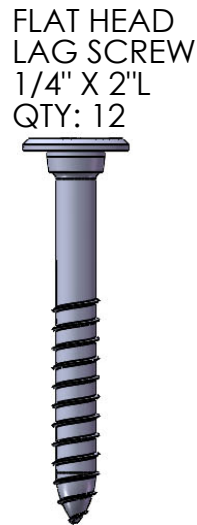
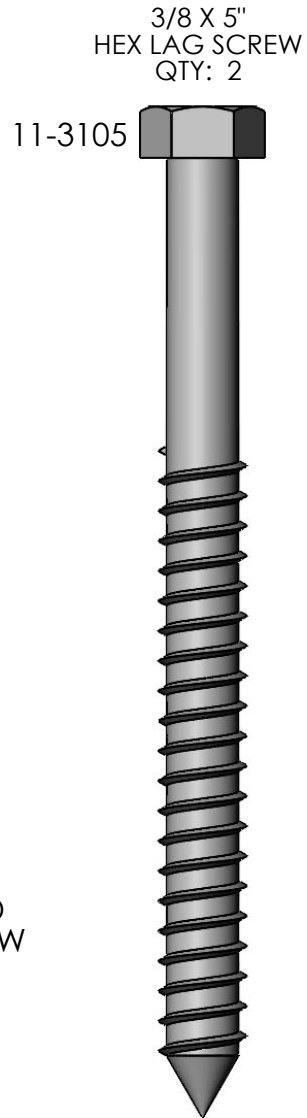
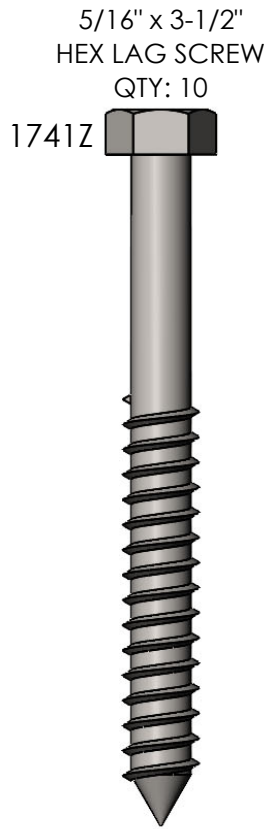
3/8 x 4-1/2"  
 CARRIAGE BOLT  
 QTY: 4



3/8 x 6"  
 CARRIAGE BOLT  
 QTY: 2



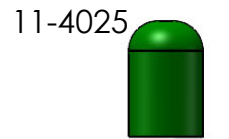
3/8 x 6-1/2"  
 CARRIAGE BOLT  
 QTY: 4



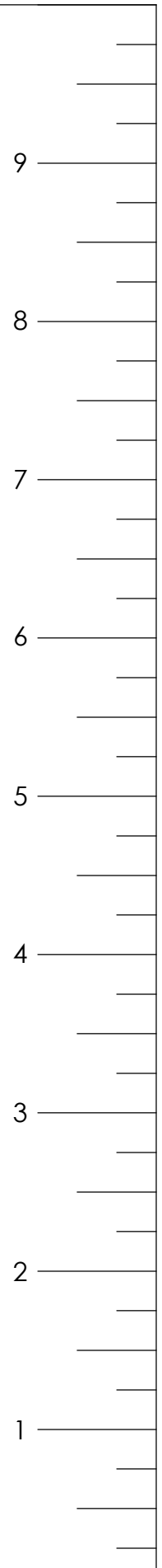
FS 2754



#2 SQUARE  
 DRIVE BIT  
 QTY: 1



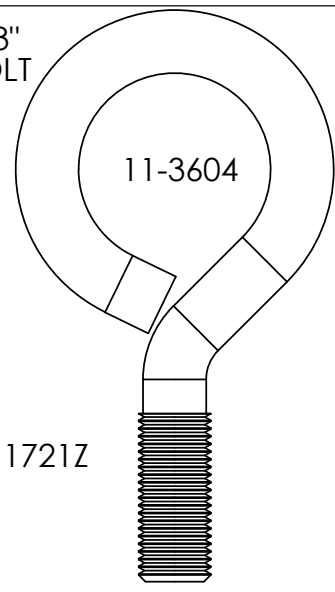
PLASTIC  
 BOLT CAP  
 QTY: 12



USE THE RULER TO THE RIGHT TO MEASURE YOUR BOLTS AND SCREWS. PICTURE VIEWS SHOWN ABOVE ARE 1:1 SCALE AND CAN BE USED TO MATCH BOLT AND SCREW SIZES.

11-0131  
 1555 Porch Swing  
 Hardware  
 REV: 4/16/2025 JH

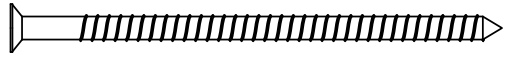
3/8" X 3"  
 EYE BOLT  
 QTY: 4



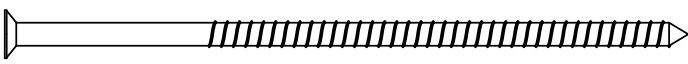
#8 x 2"  
 WOOD SCREW 1342Z  
 QTY: 12



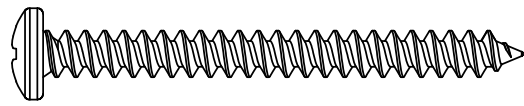
#8 x 2-1/2"  
 WOOD SCREW 1327Z  
 QTY: 6



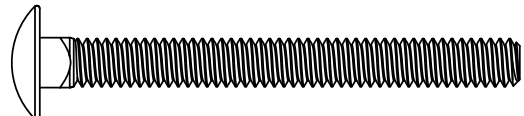
#8 x 3-1/2"  
 WOOD SCREW 1721Z  
 QTY: 6



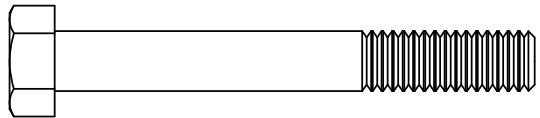
#14 x 2-1/2"  
 PAN HEAD SCREW 1329Z  
 QTY: 2



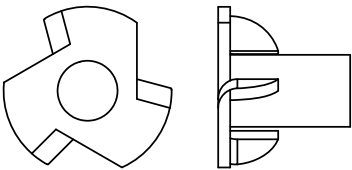
1/4" x 2-1/2"  
 CARRIAGE BOLT 11-3411  
 QTY: 2



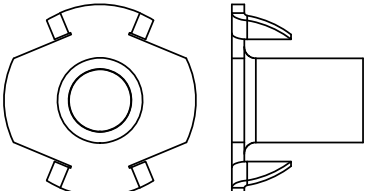
5/16" x 2-1/2"  
 HEX BOLT 11-3506  
 QTY: 2



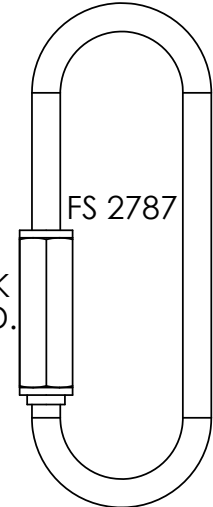
5/16" T-NUT 1381Z  
 QTY: 2



3/8" T-NUT 11-3605  
 QTY: 4



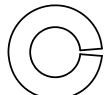
QUICK LINK  
 3/4" X 3" I.D.  
 QTY: 4



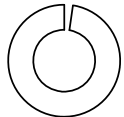
1/4" NUT 11-3611  
 QTY: 2



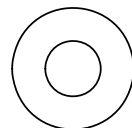
1/4" LOCK WASHER 1341Z  
 QTY: 2



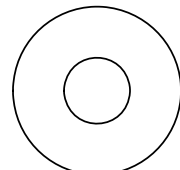
5/16" LOCK WASHER 1332Z  
 QTY: 2



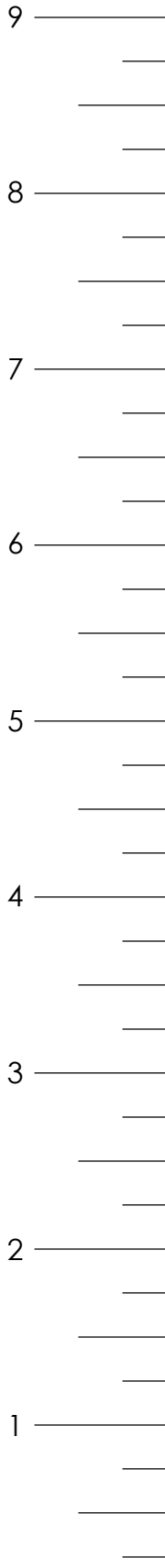
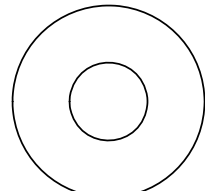
1/4" WASHER 1340Z  
 QTY: 4



5/16" WASHER 1336Z  
 QTY: 2

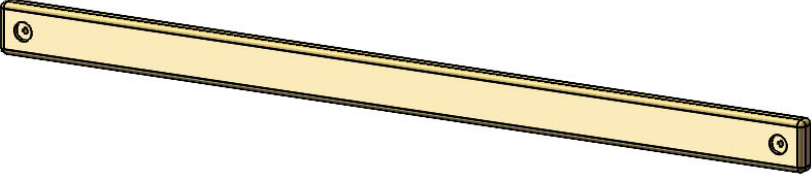
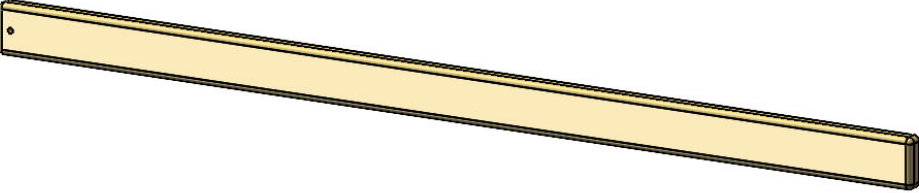
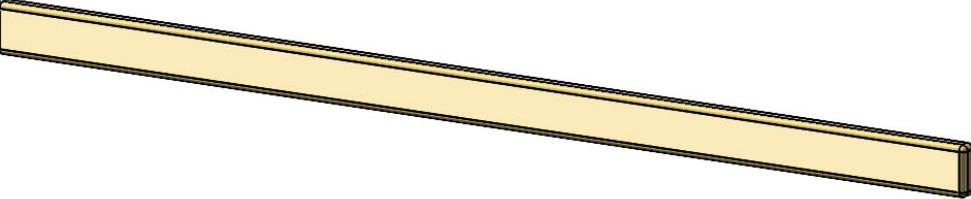
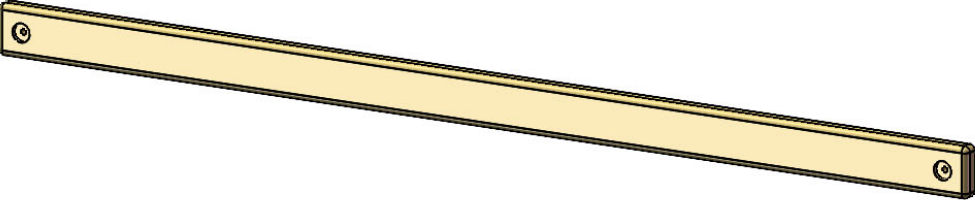
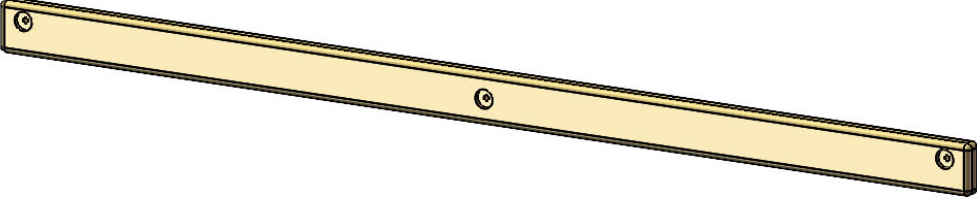
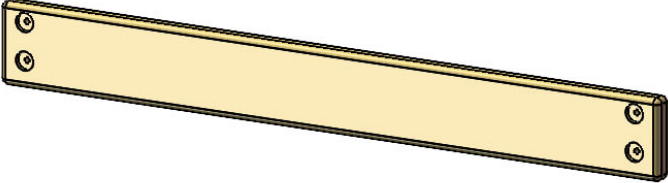


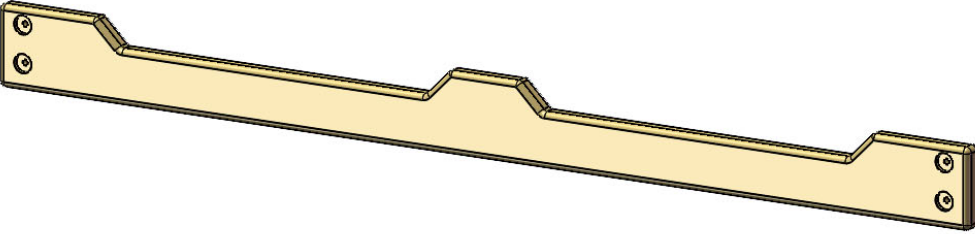
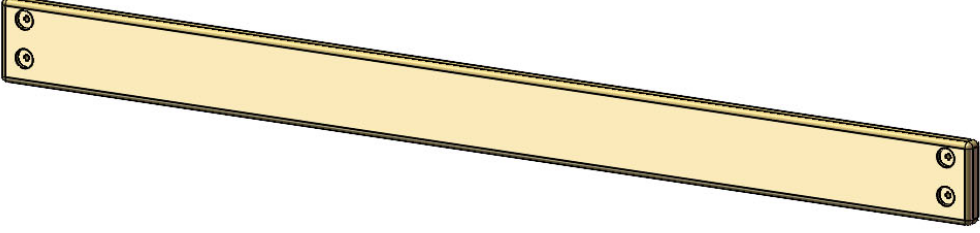
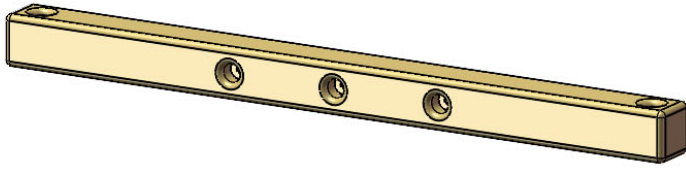
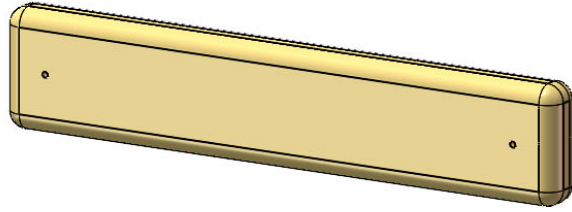
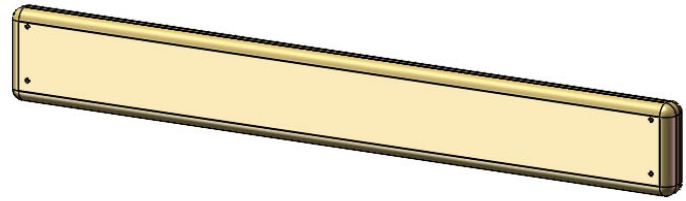
3/8" WASHER 1318Z  
 QTY: 4

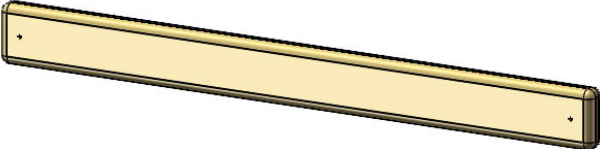
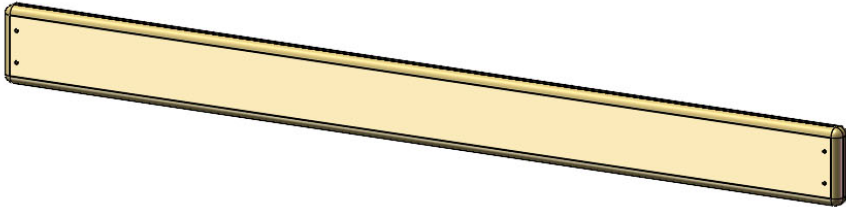
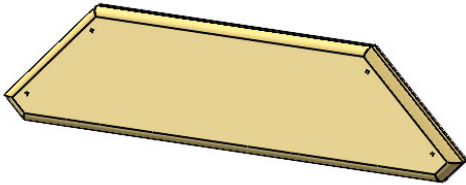
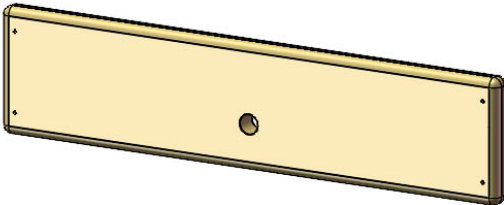
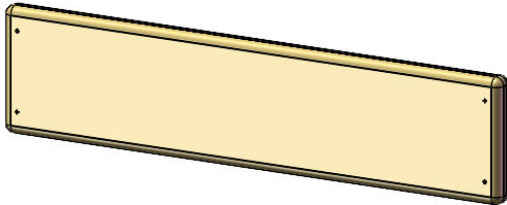
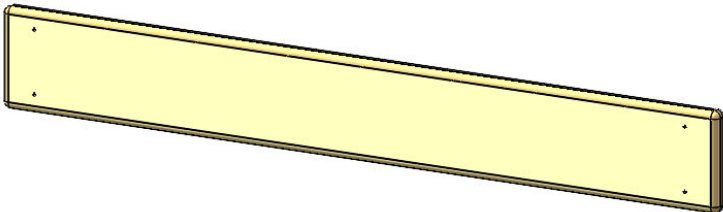
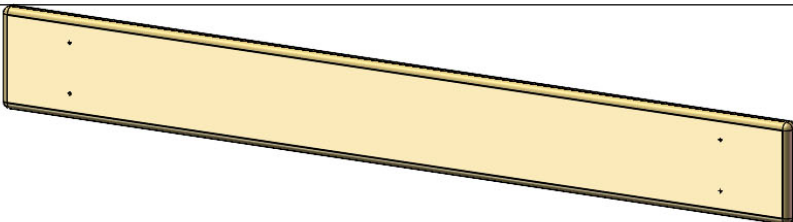


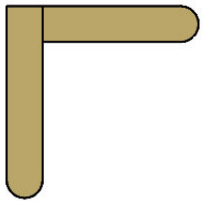
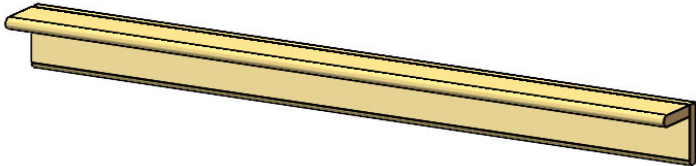

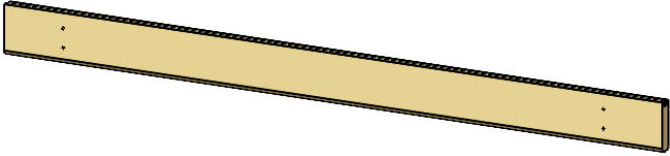

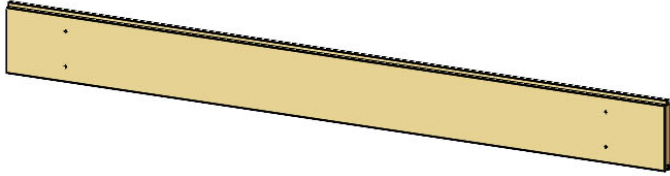
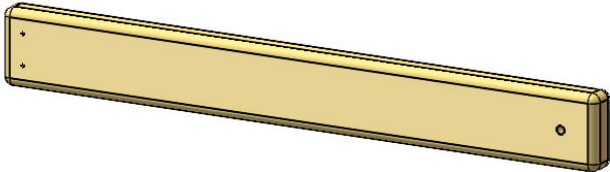
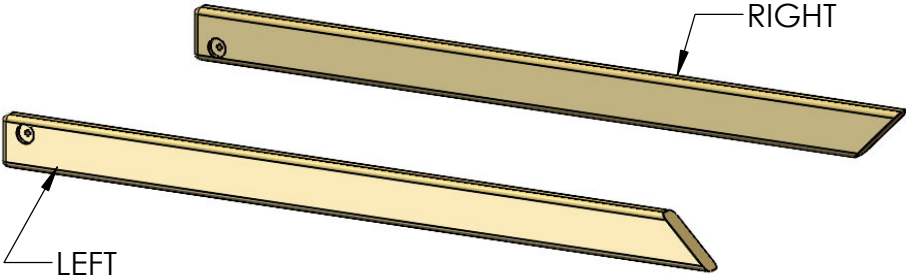
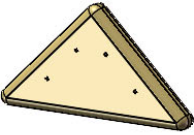
USE THE RULER TO THE RIGHT TO MEASURE YOUR BOLTS AND SCREWS. PICTURE VIEWS SHOWN ABOVE ARE 1:1 SCALE AND CAN BE USED TO MATCH BOLT AND SCREW SIZES.

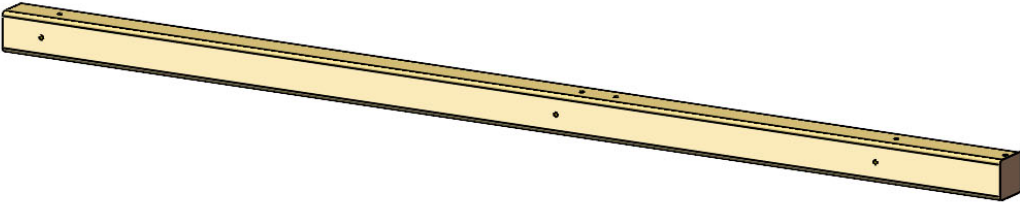
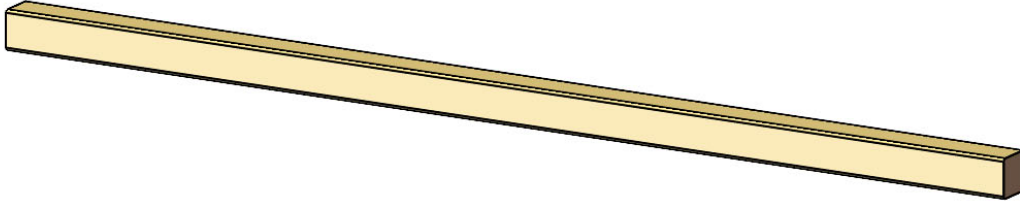
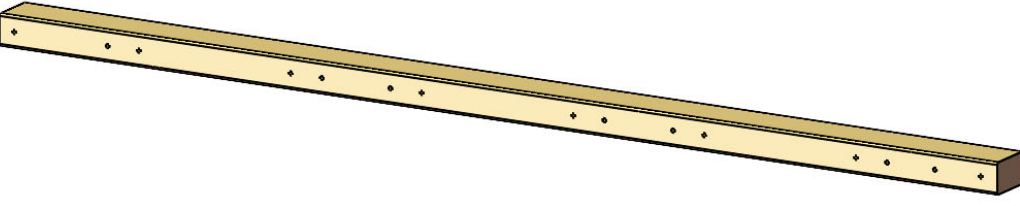
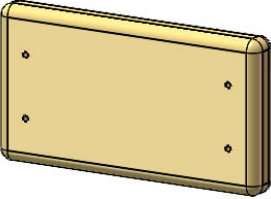
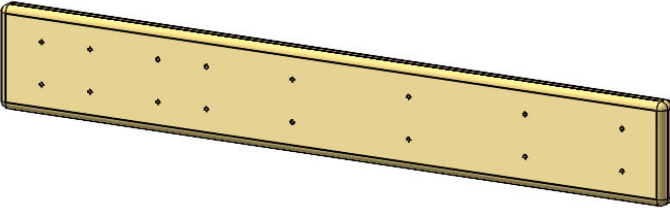
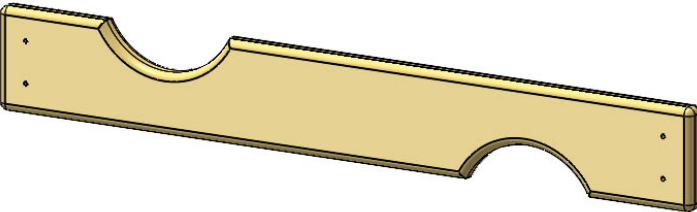
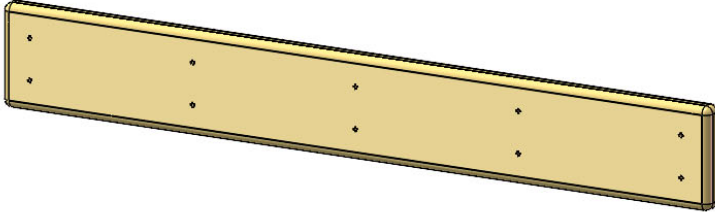
PICTURE	DESCRIPTION	QTY.
<p>1501 WOOD BOX</p> 	<p>2 X 4 X 13" ANGLE SUPPORT <b>2-4-1300-AS</b></p> <p>2 X 4 X 18" ANGLE SUPPORT <b>2-4-1800-AS</b></p>	<p>4</p> <p>4</p>
	<p>2 X 4 X 14-3/4" PICNIC TABLE TOP SUPPORT <b>2-4-1475-PTTS</b></p>	<p>2</p>
	<p>2 X 4 X 27-1/2" PICNIC TABLE SEAT SUPPORT <b>2-4-2750-PTSS</b></p>	<p>2</p>
	<p>2 X 4 X 32-1/2" PICNIC TABLE LEG <b>2-4-3250-PTL</b></p>	<p>2</p>
	<p>2 X 4 X 47<sup>1</sup>/<sub>2</sub>" END PANEL/ SAFETY BOARD (2 HOLES OFFSET) <b>2-4-4750-SBEP</b></p>	<p>2</p>

PICTURE	DESCRIPTION	QTY.
	<p>2 X 4 X 58" SWING BEAM CROSS MEMBER (2 HOLES ON CENTER) <b>2-4-5800-CM</b></p>	<p>1</p>
	<p>2 X 4 X 66" ROCK WALL SIDE (1 HOLE ON CENTER) <b>2-4-6600-RWS</b></p>	<p>2</p>
	<p>2 X 4 X 70" CENTER DECK SUPPORT <b>2-4-7000-CDS</b></p>	<p>1</p>
	<p>2 X 4 X 70" DECK SUPPORT (2 HOLES ON CENTER) <b>2-4-7000-DS</b></p>	<p>2</p>
	<p>2 X 4 X 70" REAR TOP PANEL BOARD (2 HOLES OFFSET/ 1 CENTERED) <b>2-4-7000-RTPB</b></p>	<p>1</p>
	<p>2 X 6 X 47<math>\frac{1}{2}</math>" BOTTOM PANEL AND SANDBOX BOARD (4 HOLES OFFSET) <b>2-6-4750-ESPB</b></p>	<p>2</p>
		<p>25</p>

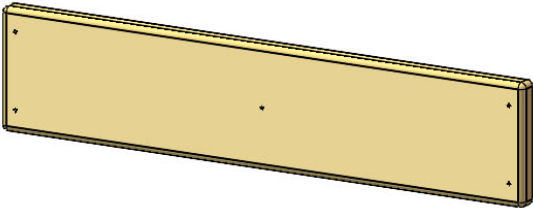
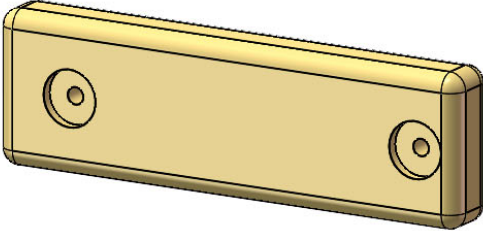
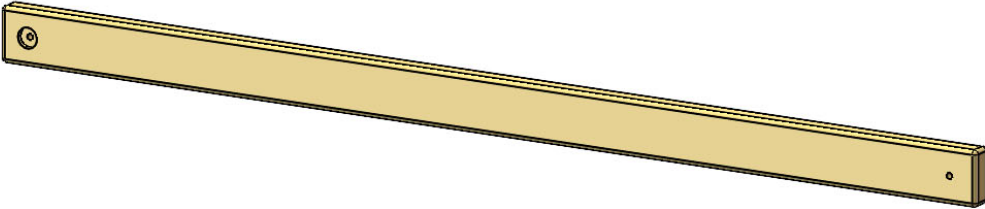
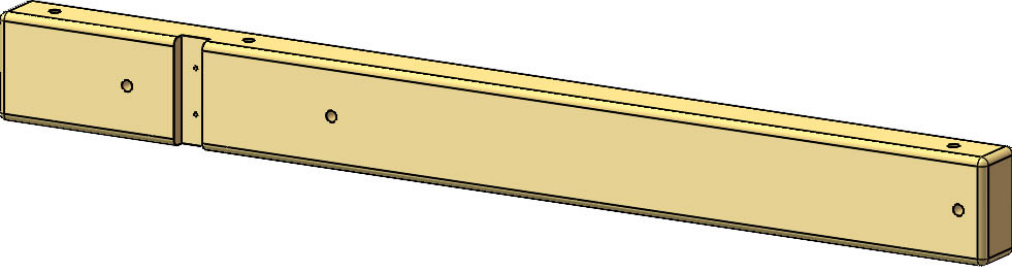
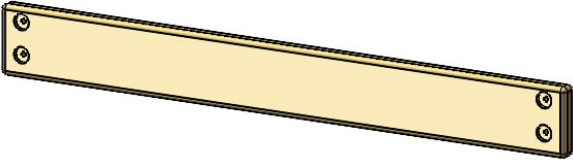
PICTURE	DESCRIPTION	QTY.
	<p>2 X 6 X 70" FRONT FACE BOARD (4 HOLES OFFSET) <b>2-6-7000-FFB</b></p>	<p>1</p>
	<p>2 X 6 X 70" BOTTOM PANEL AND SANDBOX BOARD (4 HOLES OFFSET) <b>2-6-7000-SB</b></p>	<p>1</p>
	<p>4 X 4 X 47<math>\frac{1}{2}</math>" SWING BEAM MOUNT <b>4-4-4750-SBM</b></p>	<p>1</p>
	<p><math>\frac{5}{4}</math> X 2<math>\frac{5}{8}</math> X 13<math>\frac{1}{4}</math>" PICNIC TABLE SLAT <b>125-3-1325-PTS</b></p>	<p>2</p>
	<p><math>\frac{5}{4}</math> X 3 X 23<math>\frac{7}{8}</math>" ROCK WALL CAP <b>125-3-2387-RWC</b></p>	<p>1</p>
		<p>26</p>

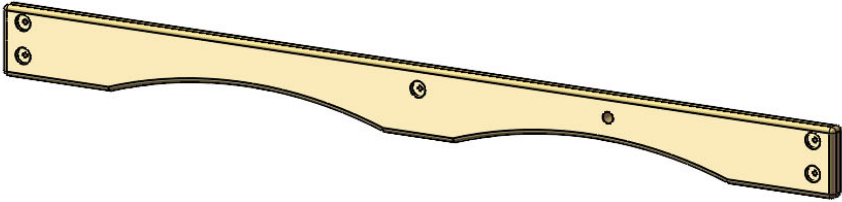
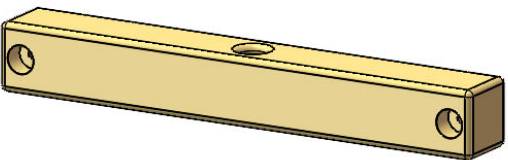
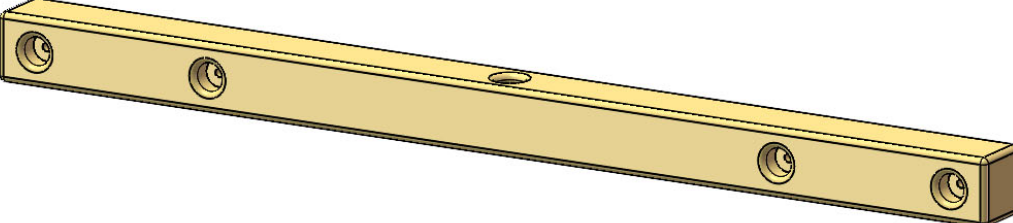
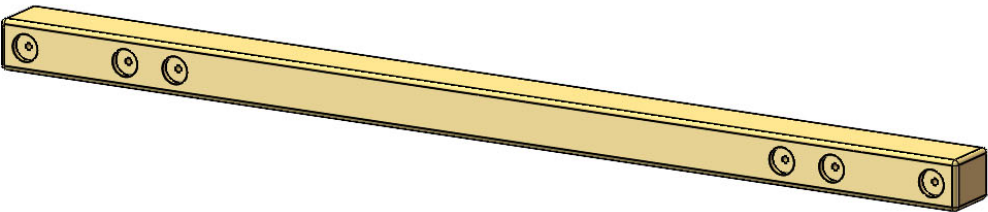

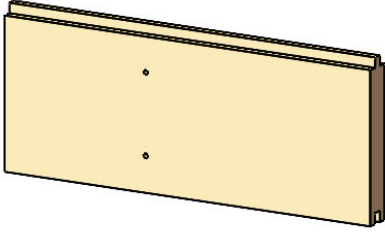

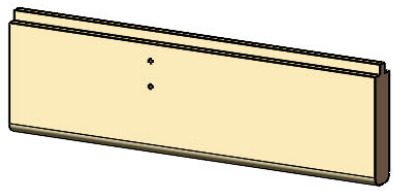
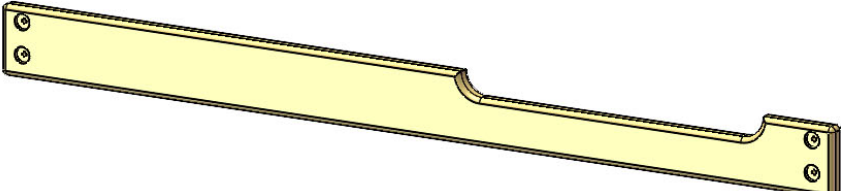
PICTURE	DESCRIPTION	QTY.
	$\frac{5}{4} \times 2\frac{5}{8} \times 28\frac{1}{4}$ " PANEL SLAT <b>125-3-2825-PS</b>	10
	$\frac{5}{4} \times 4 \times 40\frac{3}{8}$ " DECK SPACER <b>125-4-4038-DS</b>	2
	$\frac{5}{4} \times 6 \times 22$ " SANDBOX SEAT <b>125-6-2200-SS</b>	2
	$\frac{5}{4} \times 6 \times 23\frac{7}{8}$ " BOTTOM ROCK WALL BOARD <b>125-6-2387-BRW</b>	1
	$\frac{5}{4} \times 6 \times 23\frac{7}{8}$ " ROCK WALL BOARD <b>125-6-2387-RWB</b>	11
	$\frac{5}{4} \times 6 \times 43$ " PICNIC TABLE TOP AND SEATS <b>125-6-4300-PTTS</b>	4
	$\frac{5}{4} \times 6 \times 47\frac{3}{8}$ " DECK BOARD <b>125-6-4737-DB</b>	11

1503N WOOD BOX	PICTURE	DESCRIPTION	QTY.
		47 $\frac{1}{2}$ " ROOF PEAK <b>1-6-4750-RP</b>	1
		1 X 4 X 47 $\frac{1}{2}$ " GROOVE-ONLY ROOF STARTER <b>1-4-4750-RS</b>	2
		1 X 5 X 47 $\frac{1}{2}$ " TONGUE-AND- GROOVE ROOF BOARD <b>1-5-4750-RB</b>	8
	2 X 4 X 28-9/16" CENTER POST FRONT/REAR <b>2-4-2856-CPFR</b>	2	
	2 X 4 X 51-1/8" ROOF SUPPORT (1 HOLE OFFSET) <b>2-4-5113-RSL</b> <b>2-4-5113-RSR</b>	2 LEFT 2 RIGHT	
	5 4 X 6 X 10" ROOF PEAK SUPPORT <b>125-6-1000-RPS</b>	2	
		28	

PICTURE	DESCRIPTION	QTY.
<p>1520 WOOD BOX (X2)</p> 	<p>4 X 4 X 96" CORNER POST 4-4-9600-FCP</p>	<p>4</p>
<p>1522 WOOD BOX</p> 	<p>4 X 4 X 108" SWING BEAM LEG 4-4-10800-SL</p>	<p>2</p>
	<p>4 X 6 X 120" SWING BEAM 4-6-12000-SB</p>	<p>1</p>
<p>1550 WOOD BOX</p> 	<p>1 X 4 X 6-1/4" RAILING CAP 1550A</p>	<p>2</p>
	<p>1 X 4 X 24" SIDE MOUNT 1550B</p>	<p>2</p>
	<p>1 X 4 X 25" SLAT WITH NOTCH 1550C</p>	<p>22</p>
	<p>1 X 4 X 25-1/2" TOP MOUNT 1550D</p>	<p>1</p>

PICTURE	DESCRIPTION	QTY.
	5/4 X 2 X 15-5/8" SIDE TRIM-RIGHT 1550E	1
	5/4 X 2 X 15-5/8" SIDE TRIM-LEFT 1550F	1
	5/4 X 2 X 25-1/2" TOP TRIM 1550G	1
	5/4 X 3 X 28 1/4" PANEL SLAT <b>1550H</b>	3
	5/4 X 4 X 5-15/16" DECK SPACER-MINI <b>1550I</b>	2
	5/4 X 6 X 18-1/2" PORCH CLOSE OUT <b>1550J</b>	1
	5/4 X 6 X 22-1/2" LADDER BACK <b>1550K</b>	1

PICTURE	DESCRIPTION	QTY.
	$\frac{5}{4}$ X 6 X 25-1/8" PORCH DECK <b>1550L</b>	11
	2 X 4 X 11-1/16" SLAT SUPPORT <b>1550M</b>	6
	2 X 4 X 64-1/2" PORCH RAILING <b>1550N</b>	6
	3 X 4 X 35-5/8" PORCH POST FORT <b>1550O</b>	2
	3 X 4 X 92" LADDER SIDE <b>1550P</b>	2
	2 X 6 X 47-1/2" BOTTOM PANEL BOARD (4 HOLES OFFSET) <b>1550Q</b>	1
	2 X 6 X 70" SANDBOX BOARD (4 HOLES OFFSET) <b>1550R</b>	1

PICTURE	DESCRIPTION	QTY.	
	<p>2 X 6 X 70" FRONT TOP PANEL BOARD (4 HOLES OFFSET, 1 CENTER) <b>1550S</b></p>	<p>1</p>	
	<p>3 X 3 X 22-5/8" PORCH BEAM MOUNT SHORT <b>1550T</b></p>	<p>1</p>	
	<p>3 X 3 X 47-1/2" PORCH BEAM MOUNT <b>1550U</b></p>	<p>1</p>	
	<p>4 X 3 X 57-1/2" PORCH BEAM <b>1550V</b></p>	<p>1</p>	
		<p>1 X 5 X 11" ROOF BOARD <b>1550W</b></p>	<p>6</p>
		<p>1 X 4 X 11" ROOF FINISHER <b>1550X</b></p>	<p>2</p>
	<p>2 X 6 X 70" REAR FACE BOARD <b>1550Y</b></p>	<p>1</p>	

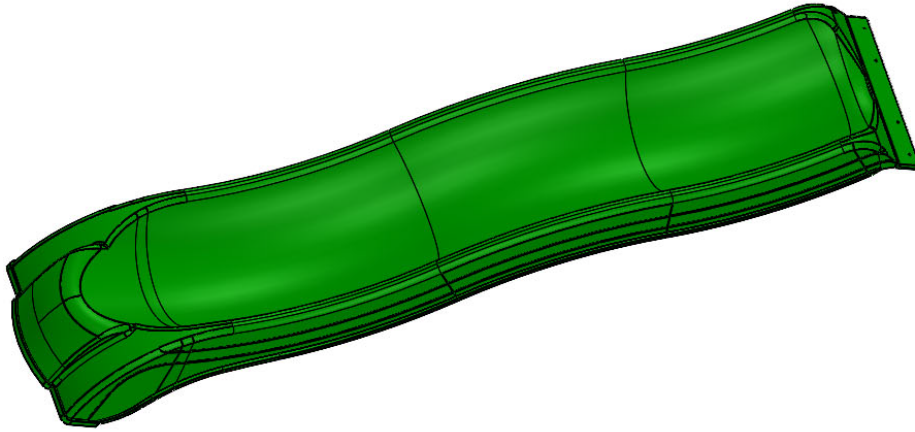
PICTURE	DESCRIPTION	QTY.
<p>1555 WOOD KIT AND PARTS</p> 	<p>4 X 18-1/4 X 37" PORCH SWING SEAT <b>1555K</b></p>	<p>1</p>
	<p>5 X 15-5/8 X 37" PORCH SWING BACK <b>1555J</b></p>	<p>1</p>
	<p>5/4 X 4 X 19-1/2" ARMREST <b>1555G</b></p>	<p>2</p>
	<p>2 X 4 X 8-3/4" ARMREST UPRIGHT <b>1555H</b></p>	<p>2</p>
	<p>2 X 4 X 42-3/4" SUPPORT RAIL <b>1555I</b></p>	<p>2</p>
	<p>2 X 2 X 8-3/4" ARMREST SLAT <b>1555L</b></p>	<p>4</p>
	<p>3/16" X 35-1/2" 2/0 CHAIN <b>08-1010-G</b></p>	<p>4</p>

PICTURE	DESCRIPTION	QTY.
BAGGED KIT - NOT SHOWN - SEE VISUAL LIST EARLIER IN INSTRUCTION MANUAL	1555 HARDWARE <b>11-0131</b>	1
		34

PICTURE

DESCRIPTION

QTY.



10'  
WAVE  
SLIDE  
**03-0017-G**

2



SWING  
W/CHAINS  
**04-0039-G/Y**

2

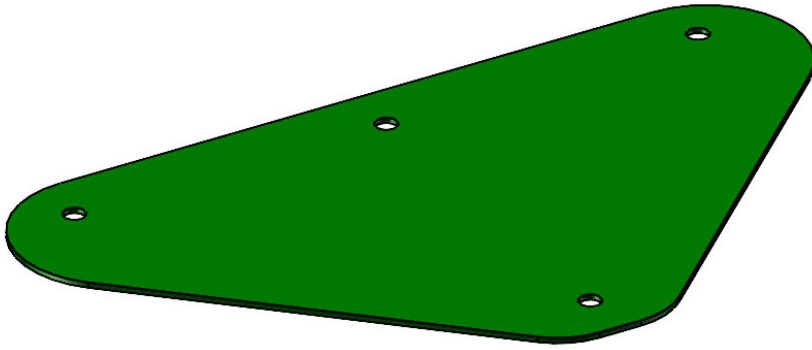
TRAPEZE  
BAR  
W/CHAINS  
**04-0006-G/Y**

1

PICTURE

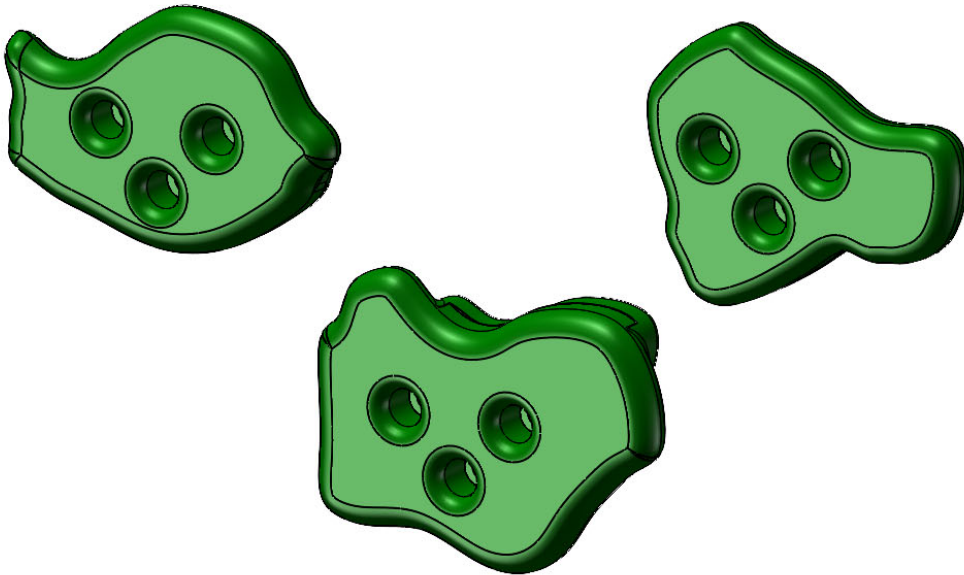
DESCRIPTION

QTY.



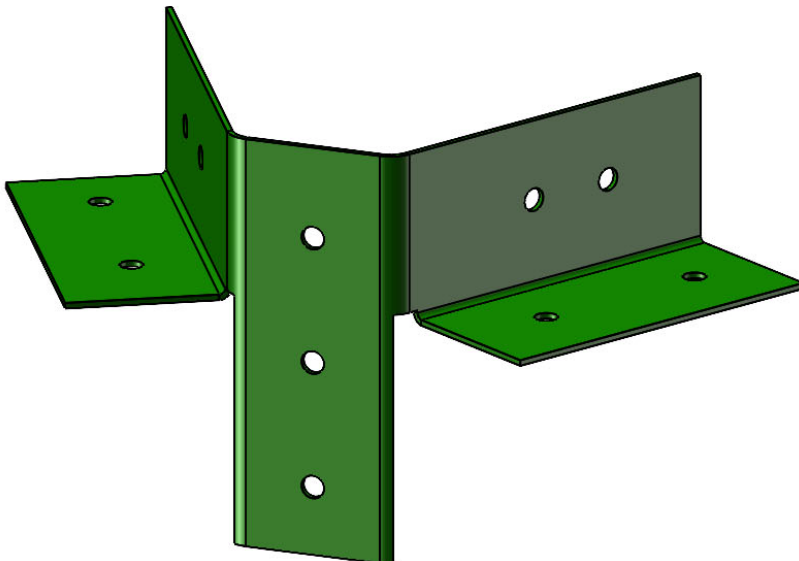
SWING  
PLATE  
**11-5002**

1



CLIMBING  
ROCKS  
**(07-0008-G  
IS A PACK  
OF 5)**

10  
ROCKS



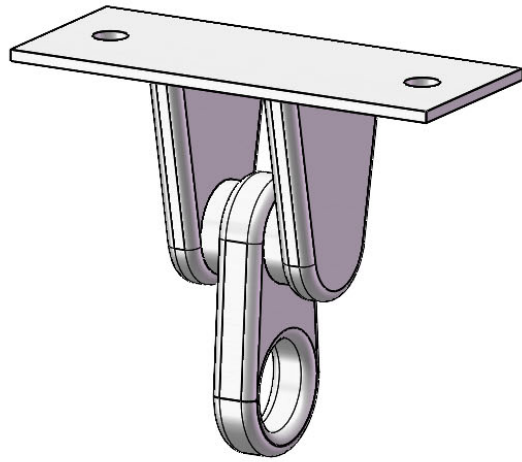
A-FRAME  
SWING  
LEG  
BRACKET  
**11-5010**

1

PICTURE

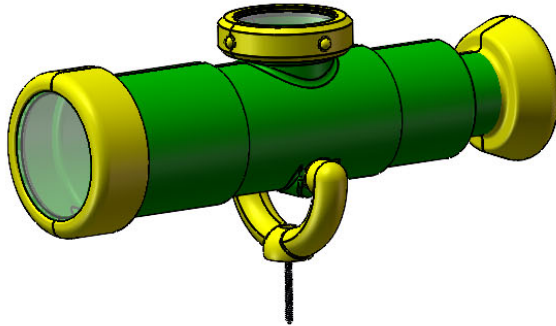
DESCRIPTION

QTY.



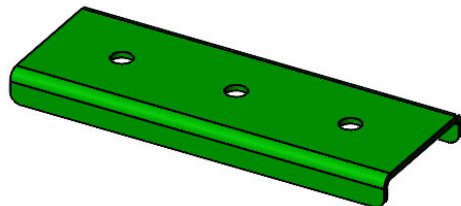
IRON  
DUCTILE  
SWING  
HANGERS  
**11-4012**

6



TELESCOPE  
W/COMPASS  
**07-0040-G/Y**

1



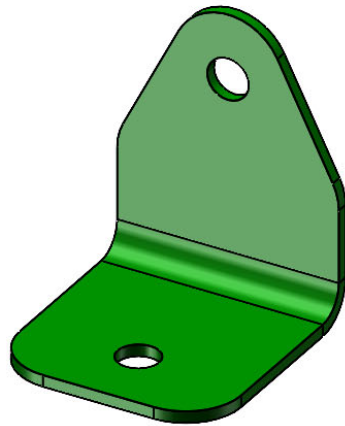
CHANNEL  
BRACKET  
**11-5018**

1

PICTURE

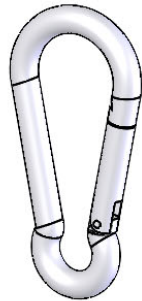
DESCRIPTION

QTY.



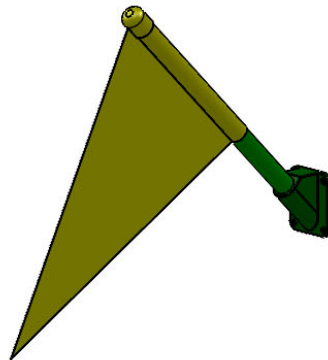
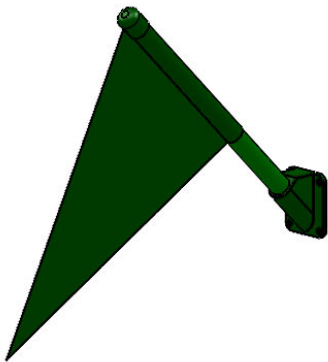
90° GREEN  
BRACKET  
11-5013

2



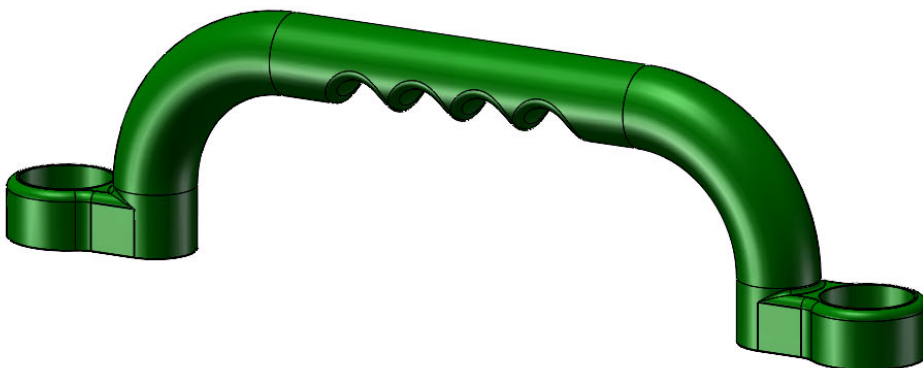
SPRING  
CLIP  
11-4003

6




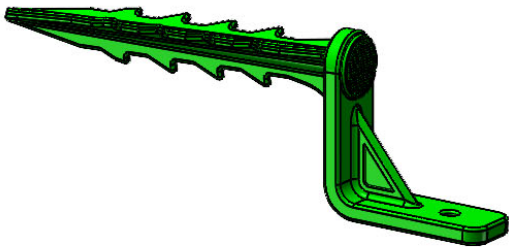
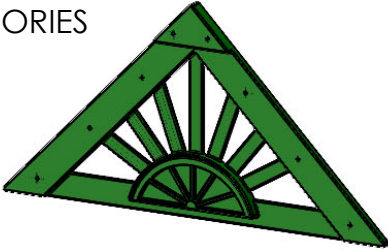
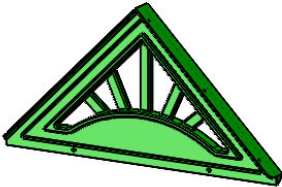
FLAG KIT  
09-1014-G  
09-1014-Y

1  
1



SAFETY  
HANDLES  
(PAIR)  
07-0005-G

1 PR

PICTURE	DESCRIPTION	QTY.
(NOT SHOWN)	MANUFACTURER LOGO PLATE <b>11-4018</b>  SAFETY WARNING PLATE <b>11-5023</b>	1 EA
	STEERING WHEEL <b>07-0004-G</b>	1
	GROUND STAKE (PAIR) <b>07-0016-P</b>	1 PR
71-5002 1500B ACCESSORIES  <div style="text-align: center;">  </div>	PLASTIC SUNBURST <b>07-0028-G</b>	2
	PLASTIC DORMER SUNBURST <b>07-0031</b>	2

PICTURE	DESCRIPTION	QTY.
<p>1550 PORCH ACCESSORIES IN 1550 WOOD KIT</p> 	<p>16" METAL SAFETY HANDLES <b>08-0001</b></p>	<p>2</p>
	<p>21-1/2" MONKEY BAR RUNG (LADDER RUNG) <b>PF 3297</b></p>	<p>6</p>
	<p>MINI SWING HANGERS <b>11-4024</b></p>	<p>2</p>
	<p>METAL GROUND STAKES PAIR WITH HARDWARE <b>WS 4522</b></p>	<p>1 PR</p>
<p>LOCATION OF OTHER ITEMS: HARDWARE: (CONTENTS SHOWN PREVIOUSLY IN MANUAL) 11-0031 - 1501 HARDWARE KIT - LOCATED IN 1501 WOOD BOX 11-0033 - 1503N HARDWARE KIT - LOCATED IN 1503N WOOD BOX 11-0130 - 1550 HARDWARE KIT - LOCATED IN 1550 WOOD BOX 11-0131 - 1555 HARDWARE KIT - LOCATED IN 1555 WOOD BOX PLAYSET INSTRUCTIONS - WITHIN SHIPMENT</p>	<p>HARDWARE BOXES INSTRUCTIONS</p>	<p>1 EA.</p>

# STEP 1: ATTACHING T-NUTS TO THE CORNER POSTS

1: THIS STEP IS CRITICAL TO BUILDING THE FORT PROPERLY. IF ANY MISTAKES ARE MADE HERE, YOU WILL NEED TO DIS-ASSEMBLE AND THEN RE-ASSEMBLE TO MAKE YOUR CORRECTIONS.

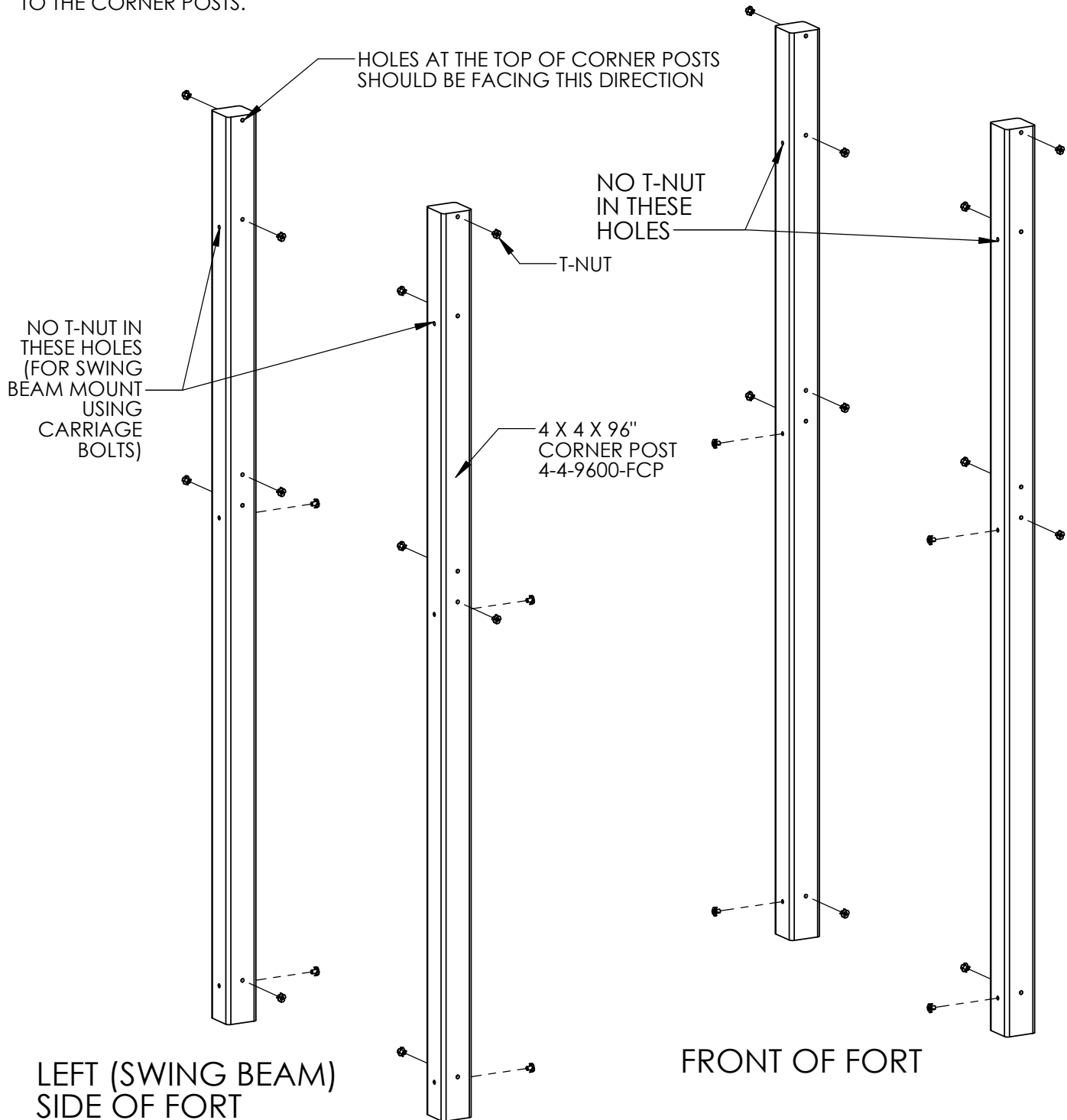
2: MAKE SURE HOLES ARE FREE OF ANY OBSTRUCTIONS. USE A BOLT TO CLEAN OUT ANY DEBRIS.

3: LAY OUT EACH OF THE 4 X 4 X 96" CORNER POSTS IN THE AREA YOU INTEND ON BUILDING THE FORT SIDE OF THE PLAYSET.

4: USE THE DIAGRAM BELOW TO CORRECTLY IDENTIFY AND ORIENT THE NECESSARY DIRECTION THE POSTS SHOULD FACE.

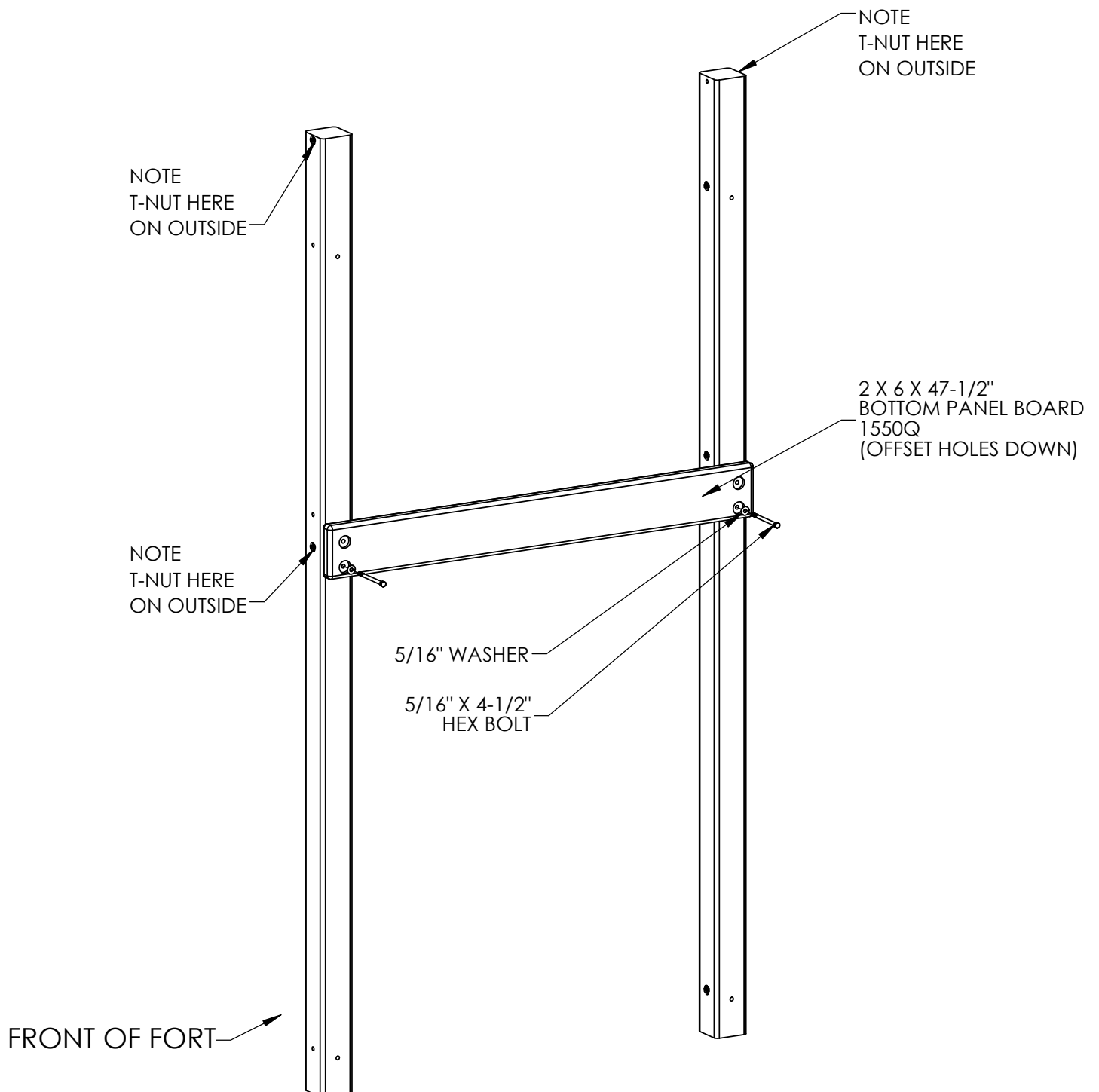
5: USE A HAMMER TO SEAT THE T-NUTS AFTER INSERTING THEM INTO THE HOLES SHOWN IN THE DIAGRAM BELOW.

6: THE BARREL OF THE T-NUT SHOULD GO IN THE HOLE FIRST. HAMMER THE T-NUT UNTIL IT IS FLUSH/ALMOST FLUSH TO THE CORNER POSTS.



## STEP 2: ASSEMBLING THE RIGHT SIDE FRAME

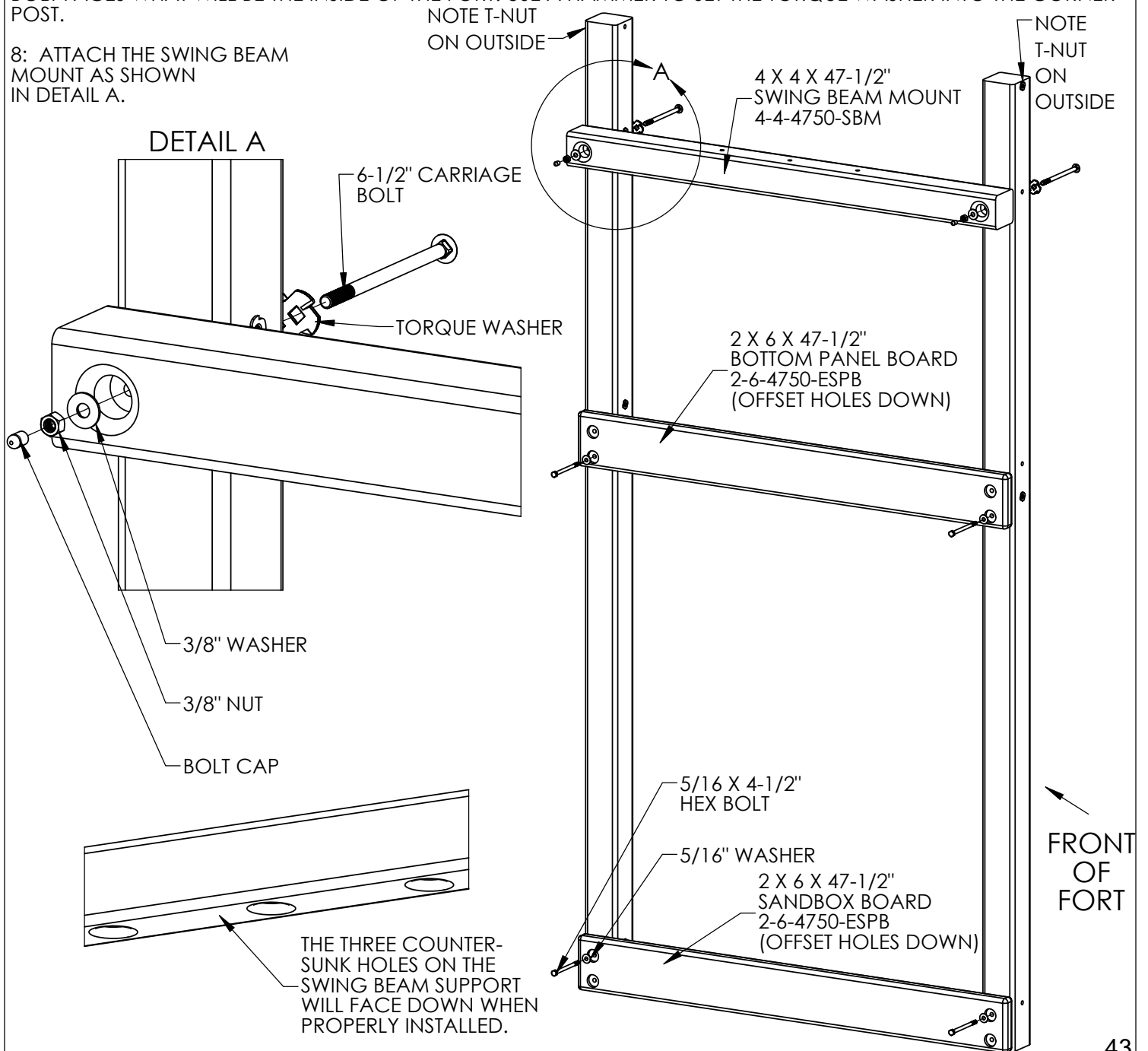
- 1: LAY THE RIGHT SIDE CORNER POSTS ON THE GROUND IN THEIR PROPER ORIENTATION.
- 2: LAY THE 2 X 6 X 47-1/2" BOTTOM PANEL BOARD ON TOP OF THE RIGHT SIDE CORNER POSTS IN THE MIDDLE OF THE CORNER POSTS. THE HOLES IN THE BOTTOM PANEL BOARD MUST BE OFFSET DOWN.
- 3: USE 5/16" X 4-1/2" HEX BOLTS AND 5/16" WASHERS TO ATTACH THE BOTTOM HOLES OF THE BOTTOM PANEL BOARD TO THE T-NUTS INSTALLED ON THE CORNER POSTS.
- 4: DO NOT INSTALL ANY OTHER FASTENERS AT THIS POINT.



# STEP 3: ASSEMBLING THE LEFT SIDE FRAME

- 1: LAY THE LEFT SIDE CORNER POSTS ON THE GROUND IN THEIR PROPER ORIENTATION.
- 2: LAY THE 2 X 6 X 47-1/2" SANDBOX BOARD ON TOP OF THE LEFT SIDE CORNER POSTS AT THE BOTTOM OF THE CORNER POSTS. THE HOLES IN THE SANDBOX BOARD MUST BE OFFSET DOWN.
- 3: USE 5/16 X 4-1/2" HEX BOLTS AND 5/16" WASHERS TO ATTACH THE TOP HOLES OF THE SANDBOX BOARD TO THE T-NUTS INSTALLED ON THE CORNER POSTS. THE BOTTOM HOLES WILL BE USED LATER.
- 4: LAY THE 2 X 6 X 47-1/2" BOTTOM PANEL BOARD ON TOP OF THE LEFT SIDE CORNER POSTS IN THE MIDDLE OF THE CORNER POSTS. THE HOLES IN THE BOTTOM PANEL BOARD MUST BE OFFSET DOWN.
- 5: USE 5/16 X 4-1/2" HEX BOLTS AND 5/16" WASHERS TO ATTACH THE BOTTOM HOLES OF THE BOTTOM PANEL BOARD TO THE T-NUTS INSTALLED ON THE CORNER POSTS. THE TOP HOLES WILL BE USED LATER.
- 6: LAY THE 4 X 4 X 47-1/2" SWING BEAM MOUNT ON TOP OF THE LEFT SIDE CORNER POSTS. THE THREE COUNTER-SUNK HOLES IN THE MIDDLE OF THE SWING BEAM MOUNT MUST FACE DOWNWARD.
- 7: FIND TWO TORQUE WASHERS. PLACE A 6-1/2" CARRIAGE BOLT THROUGH THE TORQUE WASHER, MAKING SURE THAT THE TEETH ARE FACING IN THE SAME DIRECTION AS THE THREADS OF THE CARRIAGE BOLT. PLACE THE TORQUE WASHER/CARRIAGE BOLT ASSEMBLY INTO THE CORNER POST HOLES SO THAT THE HEAD OF THE CARRIAGE BOLT FACES WHAT WILL BE THE INSIDE OF THE FORT. USE A HAMMER TO SET THE TORQUE WASHER INTO THE CORNER POST.

- 8: ATTACH THE SWING BEAM MOUNT AS SHOWN IN DETAIL A.

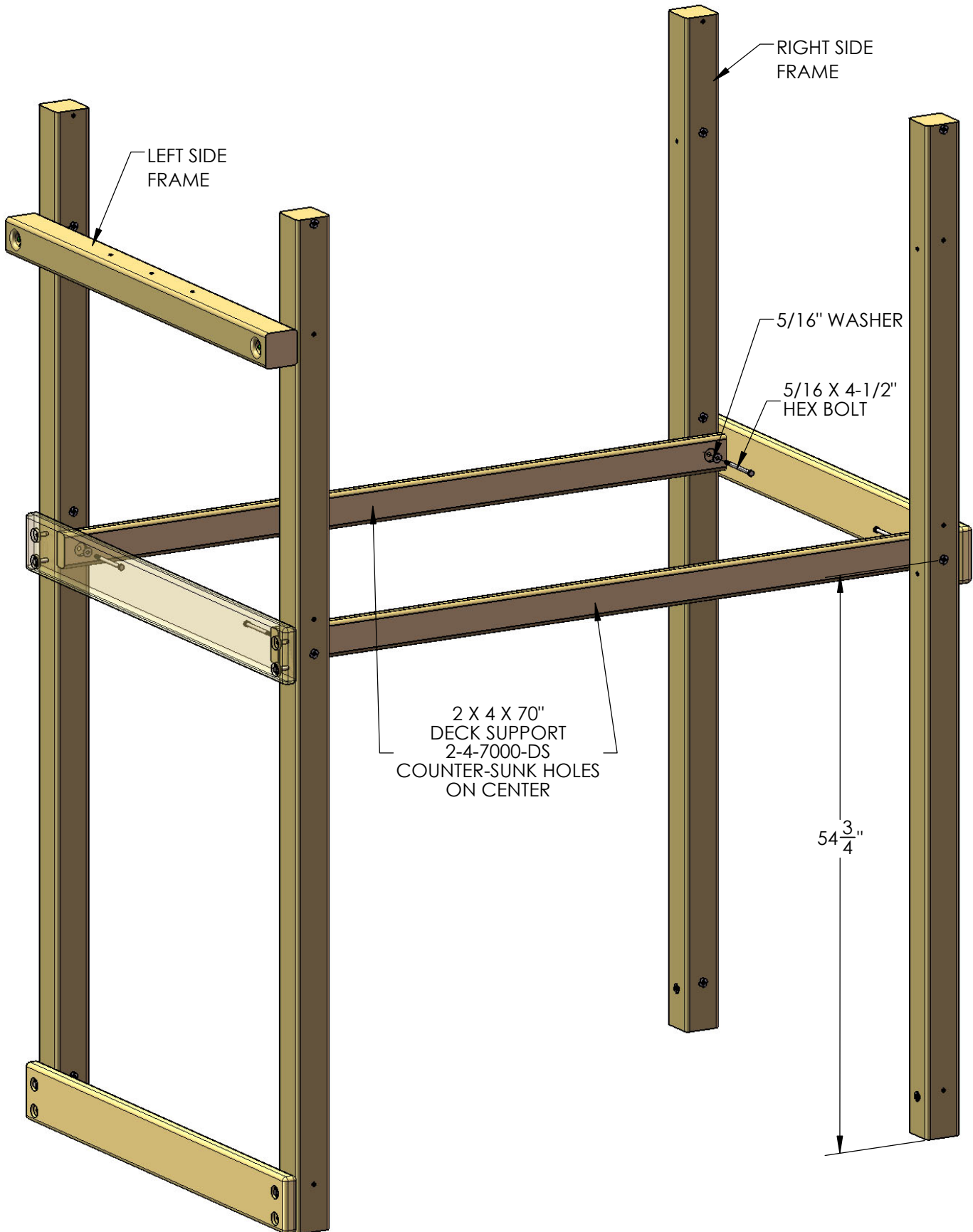


# STEP 4: DECK SUPPORTS

YOU WILL NEED AN EXTRA PERSON FOR THIS STEP.

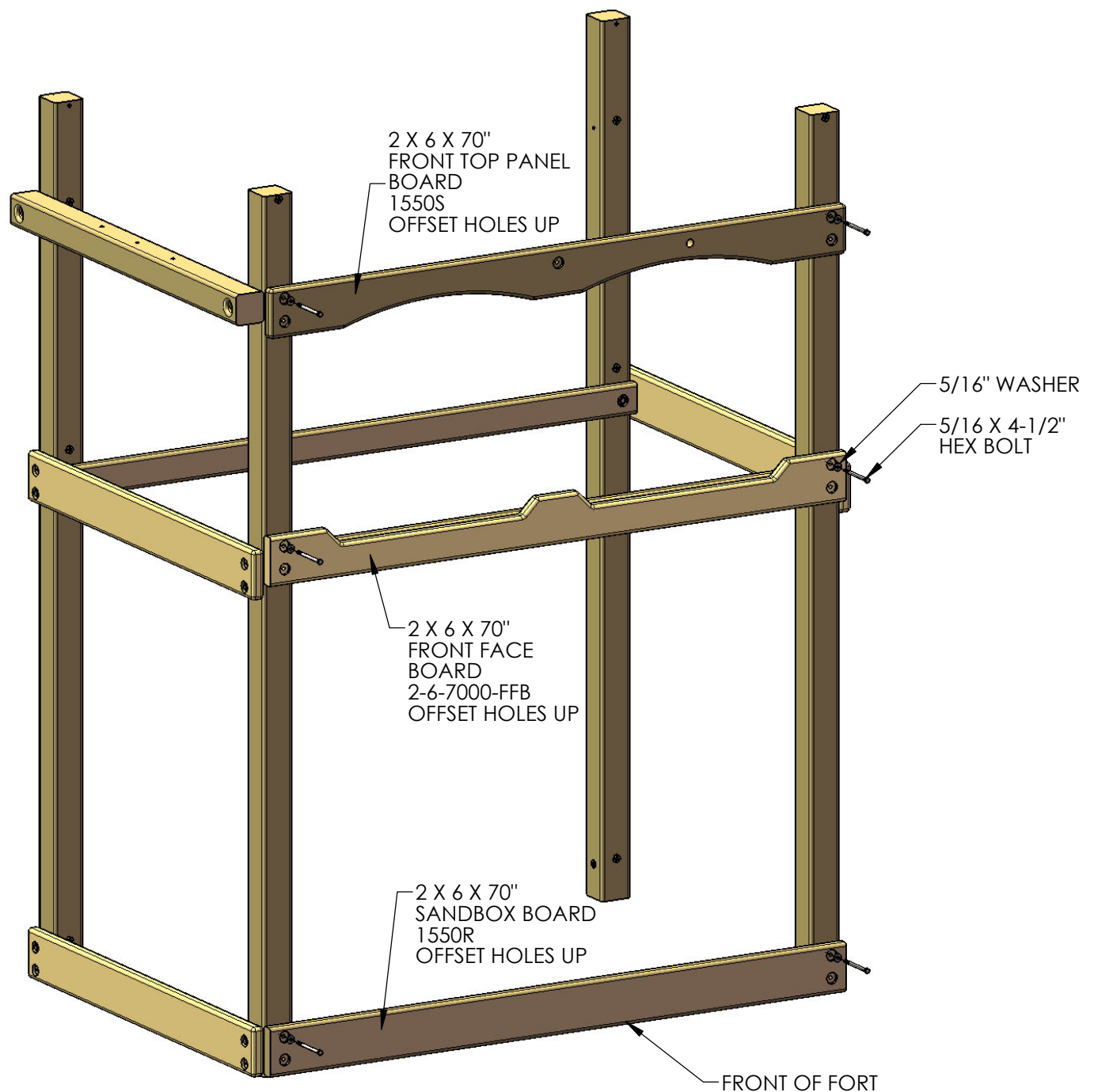
1: WITH HELP, STAND UP THE LEFT AND RIGHT SIDE ASSEMBLIES.

2: FASTEN THE 2 X 4 X 70" DECK SUPPORTS TO THE HOLES AT 54-3/4" WITH 5/16 X 4-1/2" HEX BOLTS AND 5/16" WASHERS FROM THE INSIDE OF THE FORT



## STEP 5: FRONT FRAME ASSEMBLY

- 1: PLACE THE 2 X 6 X 70" SANDBOX BOARD ON THE FRONT OF THE CORNER POSTS. THE HOLES IN THE SANDBOX BOARD SHOULD BE OFFSET UP.
- 2: USE 5/16 X 4-1/2" HEX BOLTS AND 5/16" WASHERS TO ATTACH THE TOP HOLES OF THE SANDBOX BOARD TO THE T-NUTS INSTALLED ON THE CORNER POSTS. THE BOTTOM HOLES WILL BE USED LATER.
- 3: PLACE THE 2 X 6 X 70" FRONT FACE BOARD WITH NOTCHES ON THE FRONT OF THE CORNER POSTS. THE HOLES IN THE FRONT FACE BOARD SHOULD BE OFFSET UP.
- 4: USE 5/16 X 4-1/2" HEX BOLTS AND 5/16" WASHERS TO ATTACH THE TOP HOLES OF THE FRONT FACE BOARD TO THE T-NUTS INSTALLED ON THE CORNER POSTS. THE BOTTOM HOLES WILL BE USED LATER.
- 5: PLACE THE 2 X 6 X 70" FRONT TOP PANEL BOARD ON THE FRONT OF THE CORNER POSTS. THE HOLES IN THE TOP PANEL BOARD SHOULD BE OFFSET UP.
- 6: USE 5/16 X 4-1/2" HEX BOLTS AND 5/16" WASHERS TO ATTACH THE TOP HOLES OF THE TOP PANEL BOARD TO THE T-NUTS INSTALLED ON THE CORNER POSTS.



## STEP 6: REAR FRAME ASSEMBLY

1: PLACE THE 2 X 6 X 70" SANDBOX BOARD AT THE BOTTOM REAR OF THE CORNER POSTS. THE HOLES IN THE SANDBOX BOARD MUST BE OFFSET UP.

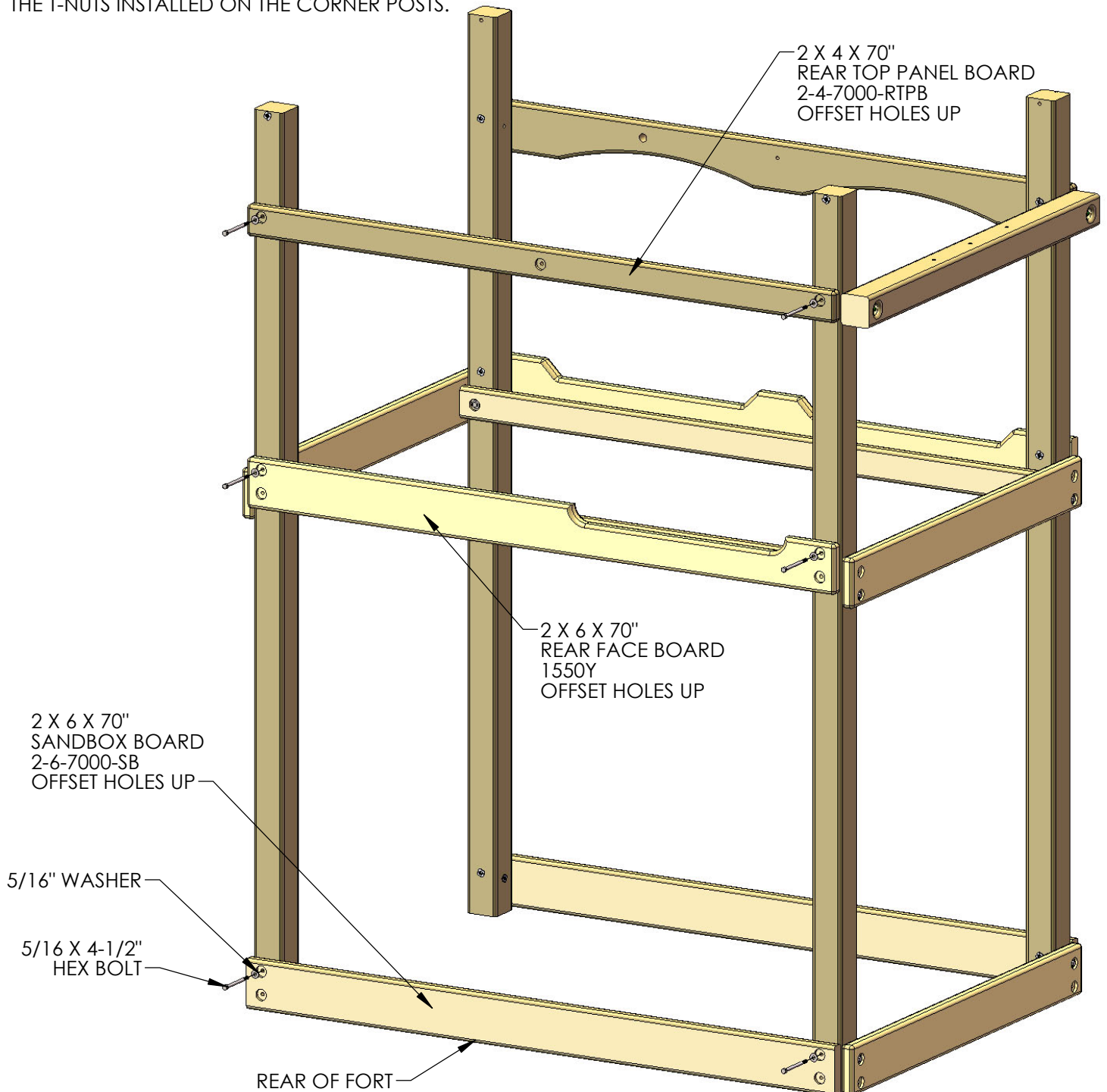
2: USE 5/16" X 4-1/2" HEX BOLTS AND 5/16" WASHERS TO ATTACH THE TOP HOLES OF THE SANDBOX BOARD TO THE T-NUTS INSTALLED ON THE CORNER POSTS. THE BOTTOM HOLES WILL BE USED LATER.

3: PLACE THE 2 X 6 X 70" REAR FACE BOARD AT THE MIDDLE OF THE REAR CORNER POSTS. THE HOLES IN THE BOTTOM PANEL BOARD MUST BE OFFSET UP.

4: USE 5/16" X 4-1/2" HEX BOLTS AND 5/16" WASHERS TO ATTACH THE TOP HOLES OF THE REAR FACE BOARD TO THE T-NUTS INSTALLED ON THE CORNER POSTS. THE BOTTOM HOLES WILL BE USED LATER.

5: PLACE THE 2 X 4 X 70" REAR TOP PANEL BOARD NEAR THE TOP OF THE REAR CORNER POSTS. THE HOLES IN THE TOP PANEL BOARD MUST BE OFFSET UP.

6: USE 5/16" X 4-1/2" HEX BOLTS AND 5/16" WASHERS TO ATTACH THE HOLES OF THE TOP PANEL BOARD TO THE T-NUTS INSTALLED ON THE CORNER POSTS.

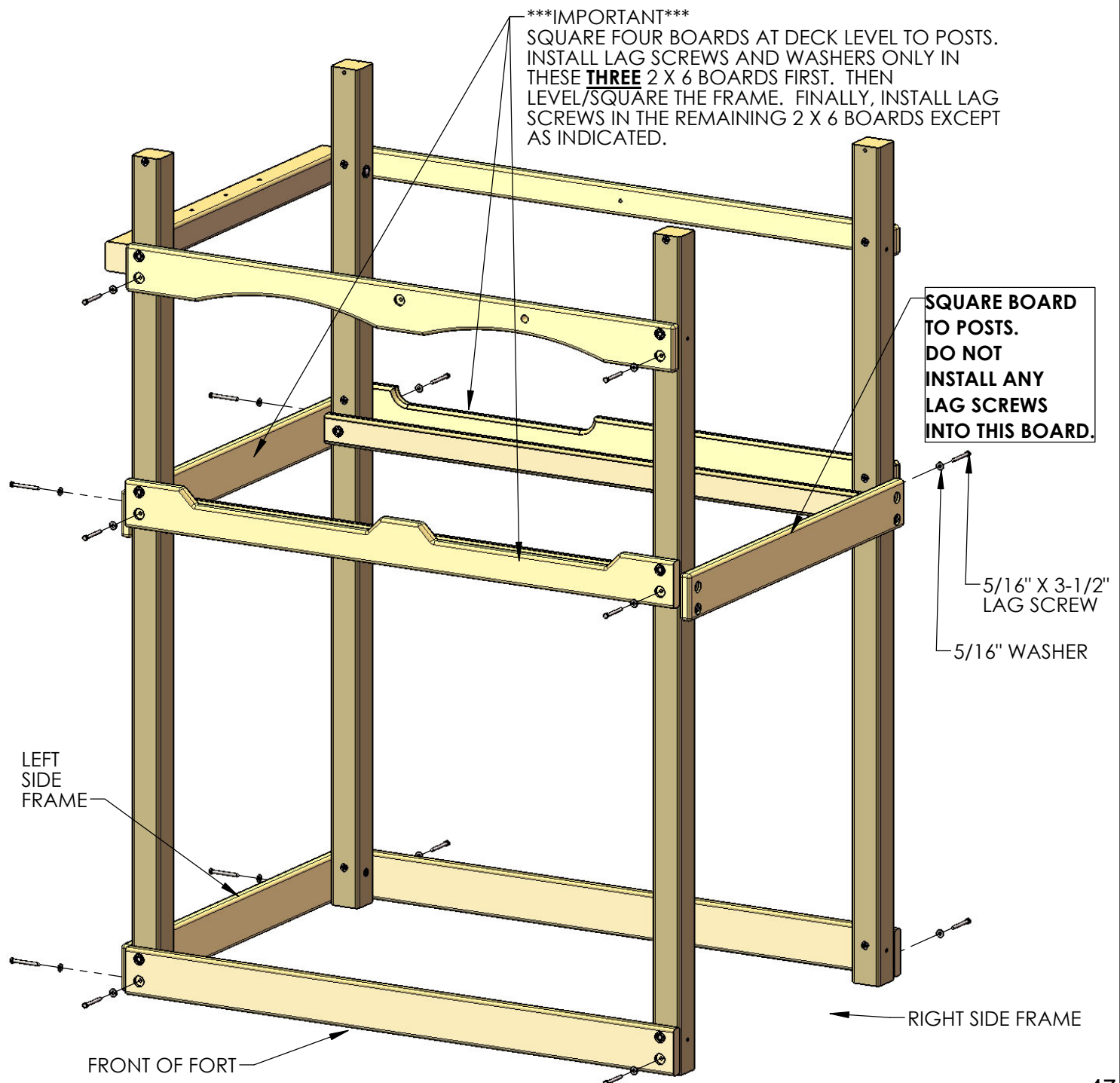


## STEP 6A: LEVELING THE PLAY SET AND LAGS

1: INSTALL LAG SCREWS ONLY IN THE **THREE** 2 X 6 BOARDS AT DECK HEIGHT AT THIS TIME. SQUARE EACH OF THE FOUR DECK HEIGHT BOARDS TO THE CORNER POSTS AND THEN INSTALL THE LAG SCREWS IN **THREE** OF THEM. THIS IS TO MAKE THE STRUCTURE RIGID FOR THE LEVELING AND SQUARING PROCESS.

2: PLACE THE FRAME IN ITS FINAL POSITION AND FOLLOW THE PROCEDURES AT THE FRONT OF THE MANUAL TO LEVEL AND SQUARE THE STRUCTURE. HAVE AN ASSISTANT HELP YOU LIFT THE FRAME AS REQUIRED. **DO NOT** INSTALL REMAINING LAG SCREWS UNTIL AFTER THE FRAME HAS BEEN LEVELED AND SQUARED.

3: ONCE THE FRAME IS LEVEL, SQUARE AND SET INTO POSITION; GO BACK AND INSERT THE 5/16" X 3-1/2" LAG SCREWS AND 5/16" WASHERS IN ALL THE REMAINING HOLES OF THE 2 X 6 PARTS ON THE FRONT, LEFT SIDE AND REAR OF THE PLAY SET. NOTE: THERE WILL NOT BE ANY PREDRILLED HOLES IN THE CORNER POSTS FOR THE LAG SCREWS.



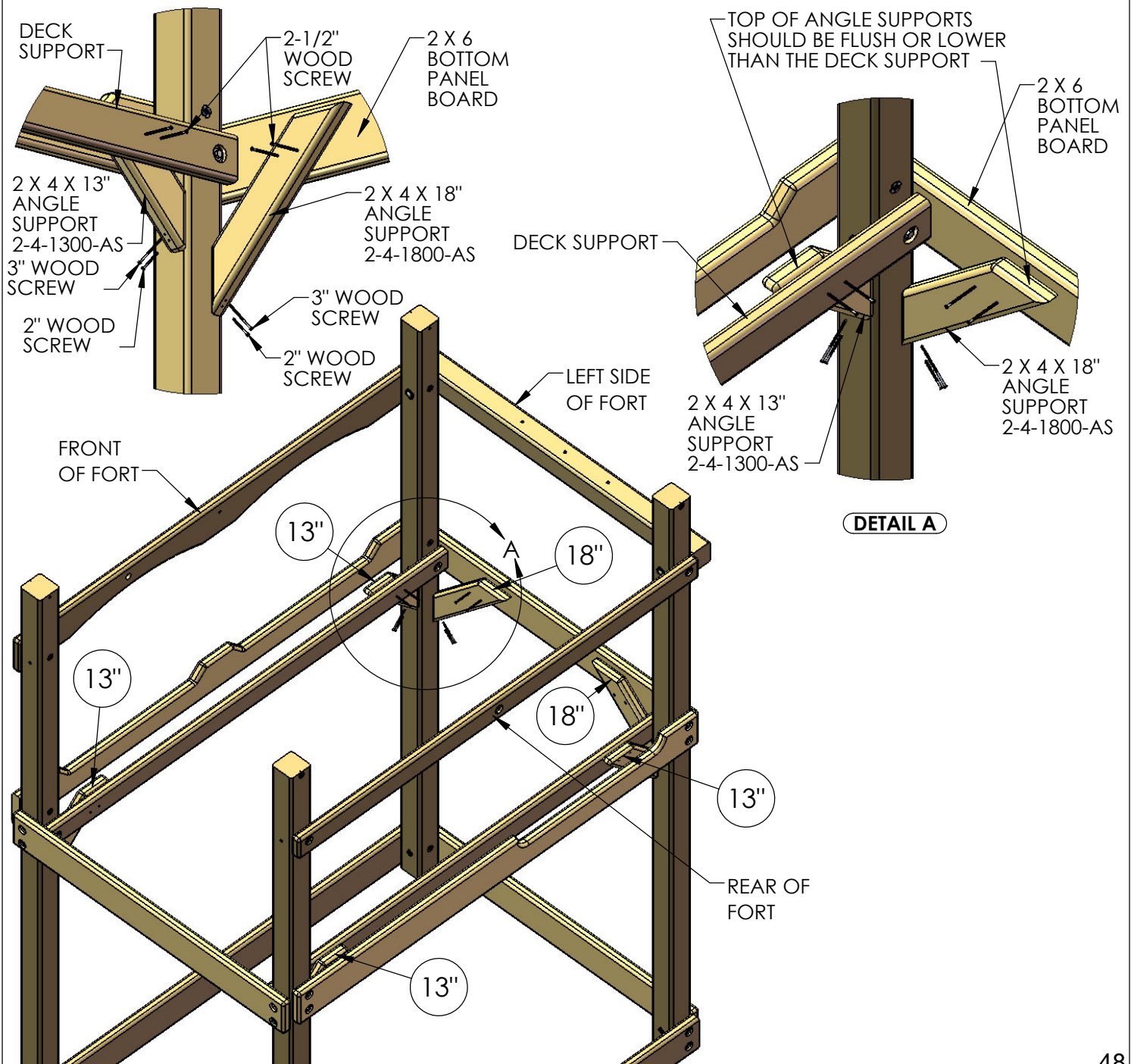
## STEP 6B: ANGLE SUPPORTS

1: TWO 2 X 4 X 18" ANGLE SUPPORTS ARE MOUNTED UNDER THE DECK ON THE LEFT SIDE OF THE PLAY SET TO THE 2 X 6 BOTTOM PANEL BOARD. **THE TOP OF THE ANGLE SUPPORT SHOULD BE FLUSH OR LOWER THAN THE TOP OF THE DECK SUPPORT.**

2: AT THE TOP USE 2-1/2" WOOD SCREWS THROUGH THE ANGLE SUPPORT INTO THE BOTTOM PANEL BOARD. AT THE BOTTOM USE ONE 2" AND ONE 3" WOOD SCREW TO FASTEN THE ANGLE SUPPORT TO THE CORNER POST.

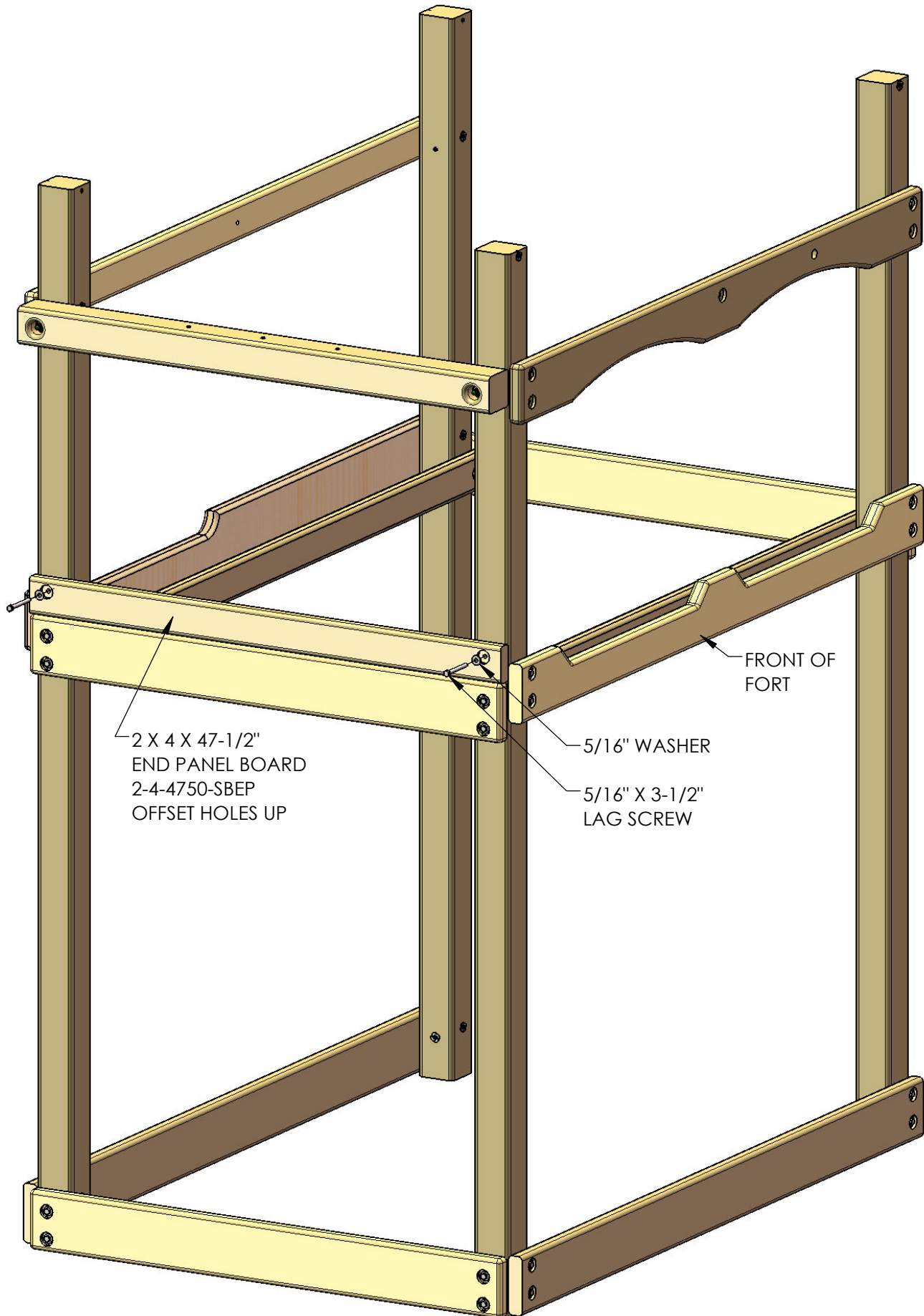
3: FOUR 2 X 4 X 13" ANGLE SUPPORTS ARE MOUNTED UNDER THE DECK ON THE FRONT AND REAR OF THE PLAY SET TO THE 2 X 4 DECK SUPPORTS. **THE TOP OF THE ANGLE SUPPORT SHOULD BE FLUSH OR LOWER THAN THE TOP OF THE DECK SUPPORT.**

4: AT THE TOP USE 2-1/2" WOOD SCREWS THROUGH THE DECK SUPPORT INTO THE ANGLE SUPPORT. AT THE BOTTOM USE ONE 2" AND ONE 3" WOOD SCREW TO FASTEN THE ANGLE SUPPORT TO THE CORNER POST.



## STEP 7: BOTTOM PANEL BOARDS

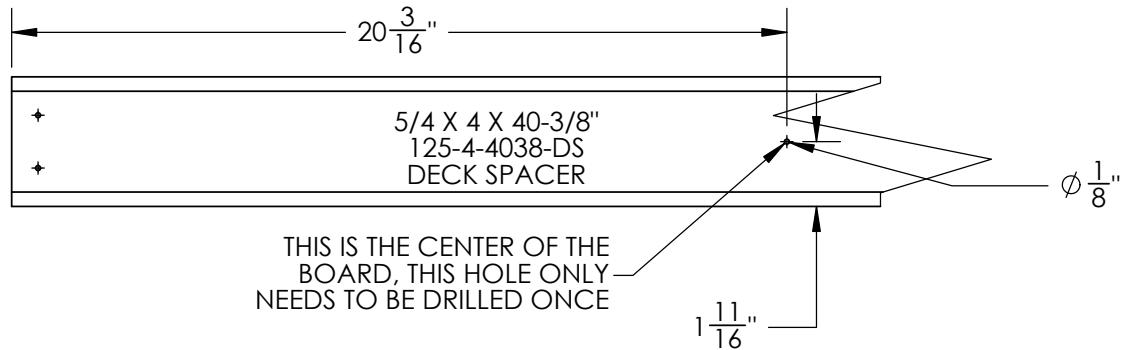
1: PLACE THE 2 X 4 X 47-1/2" END PANEL BOARD ON TOP OF THE 2 X 6 PANEL BOARD WITH OFFSET HOLES UP AND FASTEN TO THE CORNER POSTS WITH 5/16 X 3-1/2" LAG SCREWS WITH 5/16" WASHERS.



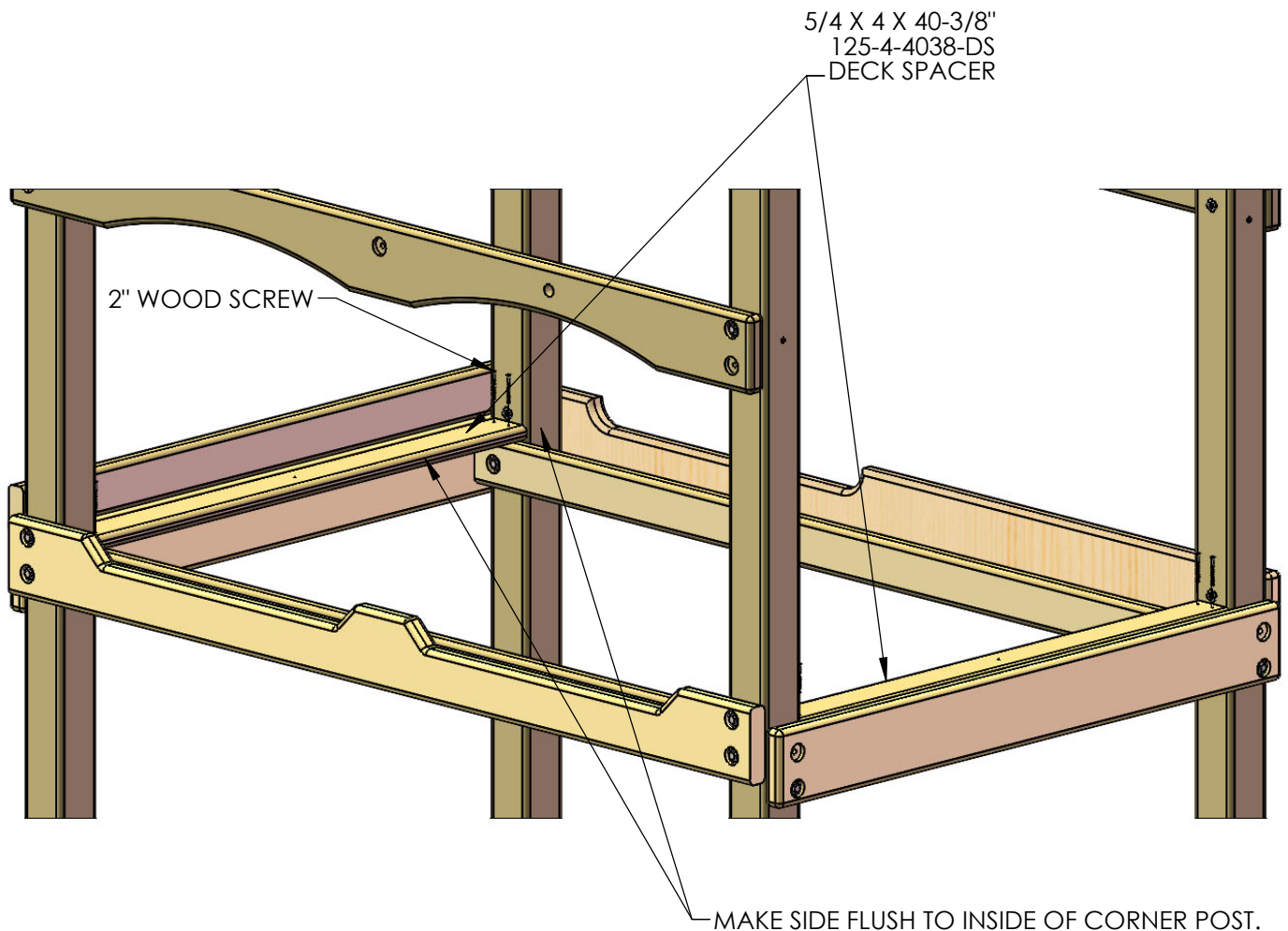
## STEP 8: DECK SPACERS

THE FOLLOWING STEP IS RECOMMENDED TO PREVENT POSSIBLE SPLITS IN THE WOOD

1: PRE-DRILL THE MIDDLE OF THE 5/4 X 4 X 40-3/8" DECK SPACERS TO PREVENT INSTALLATION DAMAGE. PRE-DRILL THE HOLE AT 20-3/16". THIS HOLE IS TO ATTACH THE CENTER DECK SUPPORT TO THE DECK SPACERS IN THE NEXT STEP.



2: PLACE THE 5/4 X 4 X 40-3/8" DECK SPACER AT ONE END OF THE FORT. CENTER THE BOARD BETWEEN THE CORNER POSTS AND ATTACH IT WITH 2" WOOD SCREWS THROUGH THE PREDRILLED HOLES AND INTO THE DECK SUPPORTS BELOW. NOTE: THE TOP OF THE SCREW HEAD SHOULD BE FLUSH TO THE TOP OF THE DECK SPACER. REPEAT FOR THE OTHER DECK SPACER.



## STEP 9: CENTER DECK SUPPORT

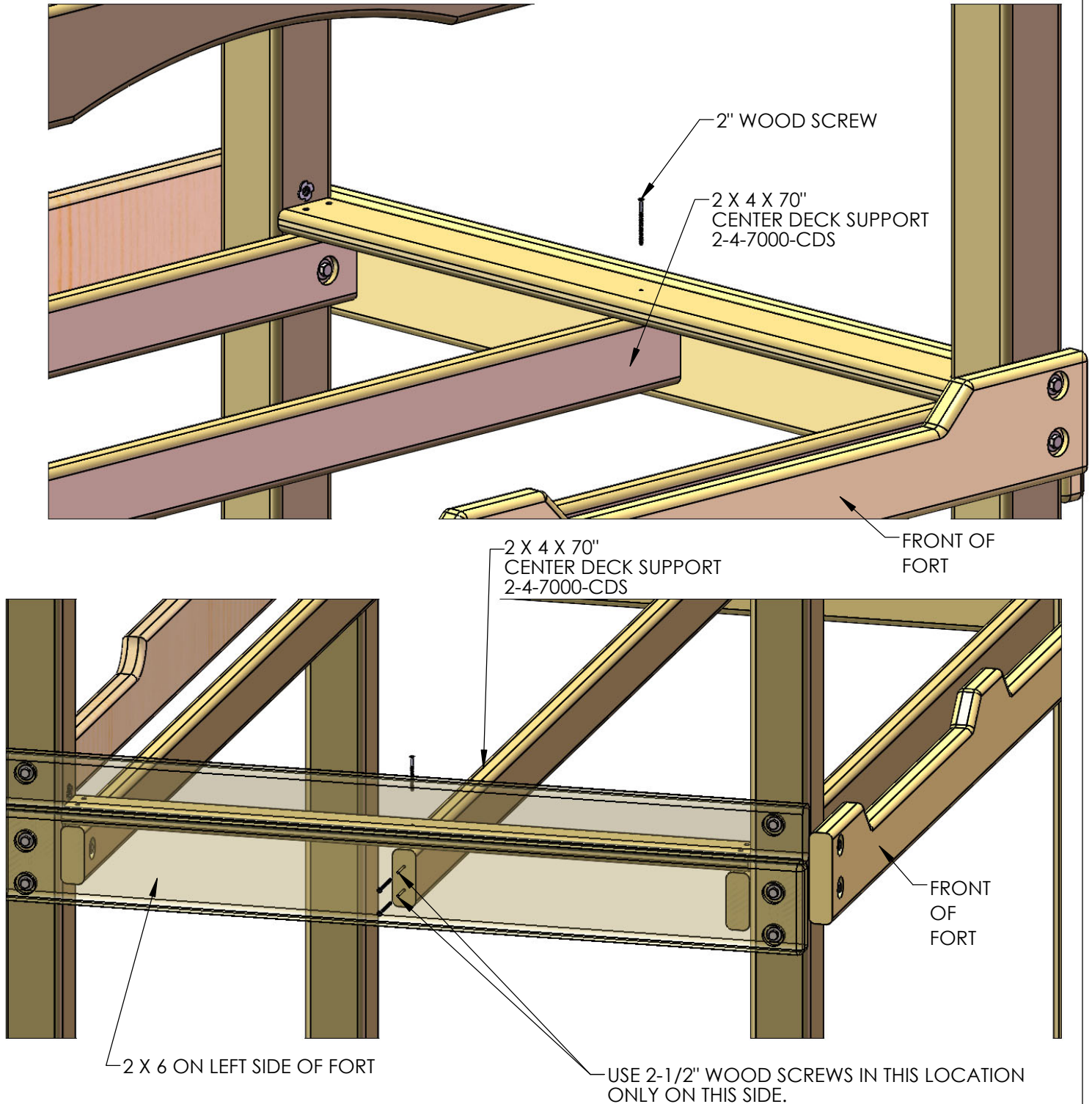
1: FIND THE 2 X 4 X 70" CENTER DECK SUPPORT WITHOUT HOLES.

2: FROM THE UNDERSIDE OF THE DECK SPACERS THAT WERE PREVIOUSLY INSTALLED, PLACE THE CENTER DECK SUPPORT AT THE CENTER OF THE DECK SPACERS (USE THE HOLE ON CENTER AS A GUIDE) AND MAKE A MARK ON THE OUTSIDE OF THE FORT TO REPRESENT A CENTER LINE.

3: CENTER THE 2 X 4 X 70" CENTER DECK SUPPORT ON THESE MARKS AND PUSH THE CENTER DECK SUPPORT FLUSH TO THE BOTTOM SIDE OF THE DECK SPACERS.

4: USE 2" WOOD SCREWS TO ATTACH THE DECK SPACERS TO THE CENTER DECK SUPPORT.

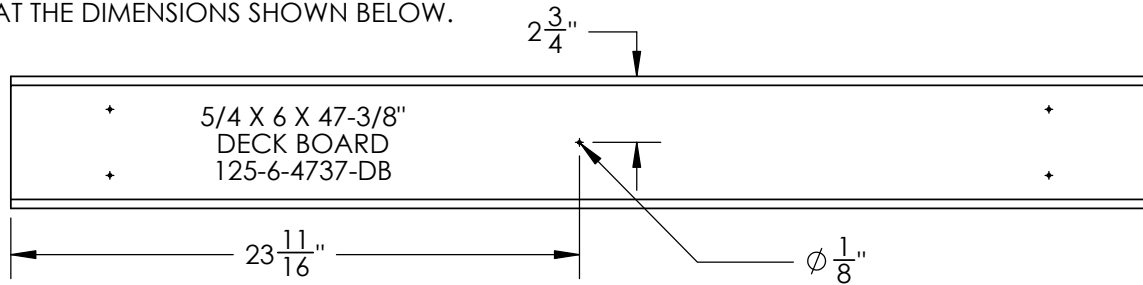
5: USE TWO 2-1/2" WOOD SCREWS TO CONNECT THE 2 X 4 X 70" CENTER DECK SUPPORT THROUGH THE OUTSIDE OF THE LEFT SIDE 2 X 6, AND INTO THE END OF THE CENTER DECK SUPPORT.



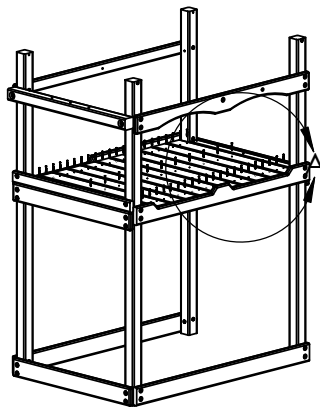
# STEP 10: DECK BOARDS

THE FOLLOWING STEP IS RECOMMENDED TO PREVENT POSSIBLE SPLITS IN THE WOOD

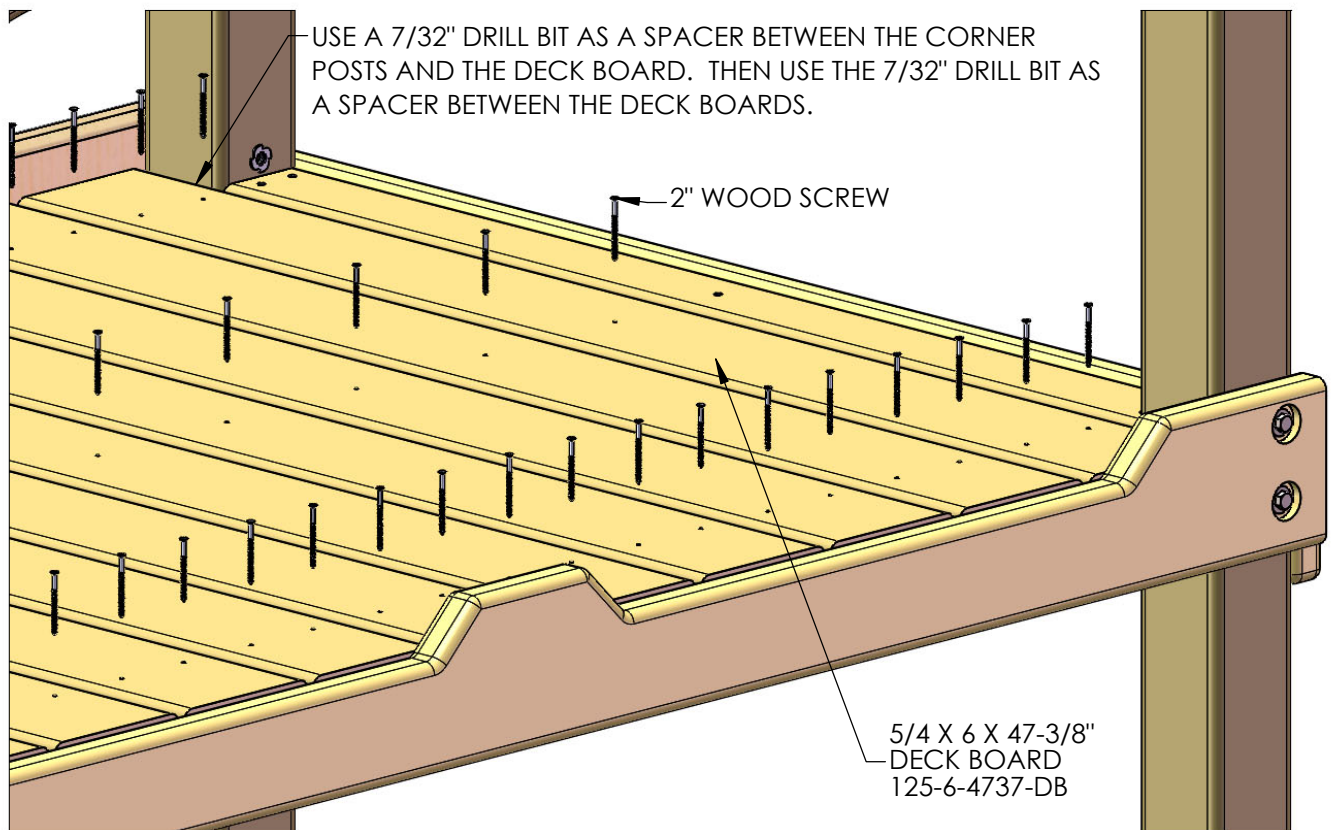
1: PRE-DRILL THE MIDDLE OF THE DECK BOARDS TO PREVENT INSTALLATION DAMAGE. PRE-DRILL WITH A 1/8" DRILL BIT AT THE DIMENSIONS SHOWN BELOW.



2: START WITH A 5/4 X 6 X 47-3/8" DECK BOARD AT ONE END OF THE FORT. CENTER THE BOARD BETWEEN THE FRONT FACE BOARD AND THE REAR BOTTOM PANEL BOARD. USE A 7/32" DRILL BIT AS A SPACER BETWEEN THE CORNER POST AND THE DECK BOARD. ATTACH THE DECK BOARD WITH 2" WOOD SCREWS THROUGH THE PREDRILED HOLES INTO THE DECK SUPPORTS BELOW. USE THE 7/32" DRILL BIT TO LEAVE A UNIFORM SPACE BETWEEN THE DECK BOARDS. NOTE: THE TOP OF THE SCREW HEAD SHOULD BE FLUSH TO THE TOP OF THE DECK BOARDS.



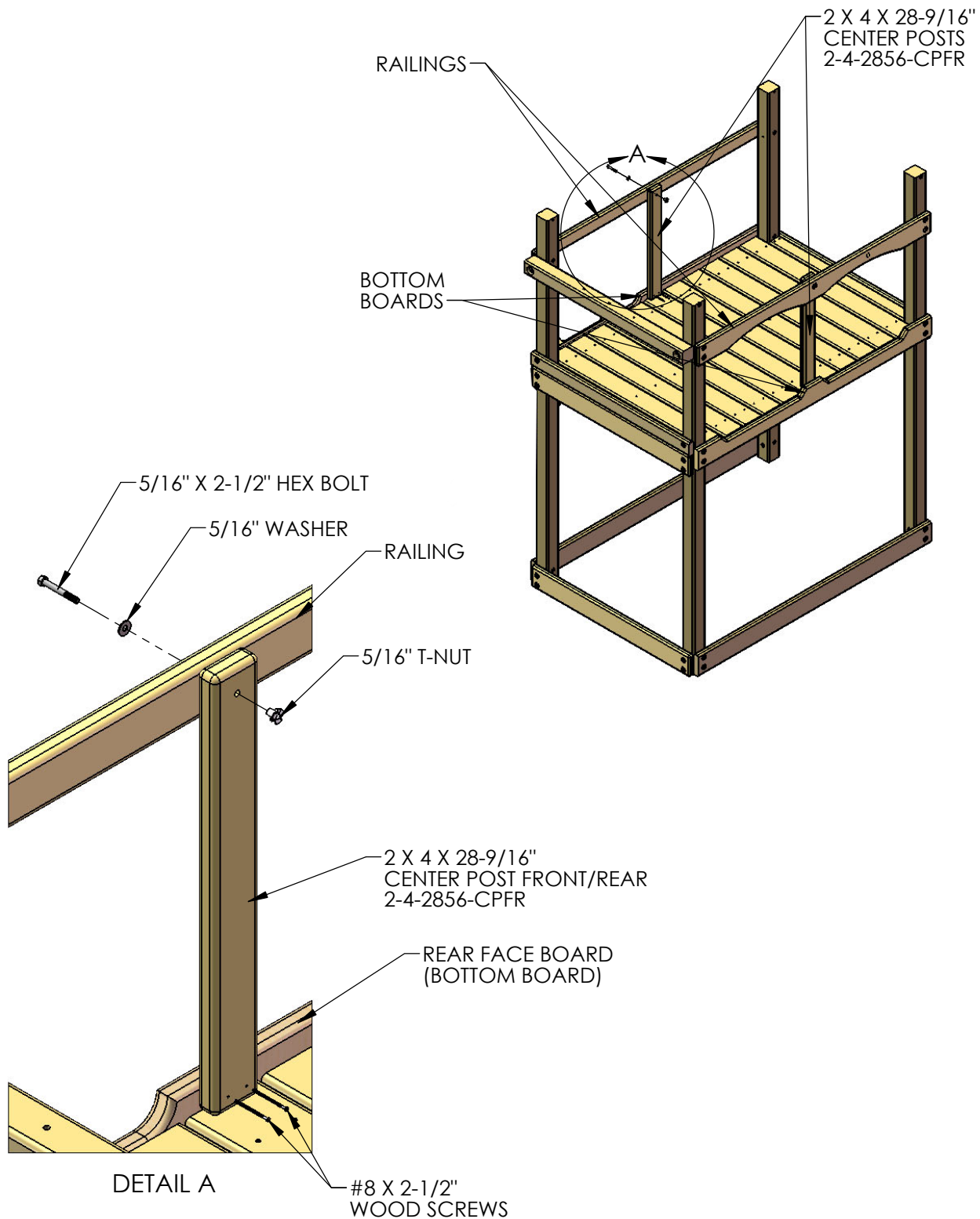
LAY ALL DECK BOARDS ACROSS THE DECK SUPPORTS BEFORE SECURING THEM TO THE FORT. THIS WILL ENSURE THAT YOU HAVE EQUAL SPACING ACROSS THE DECK.



(DETAIL A)

## STEP 11: CENTER POST FRONT/REAR

- 1: HAMMER A T-NUT INTO THE HOLE OF EACH 2 X 4 X 28-9/16" CENTER POST FRONT/REAR.
- 2: PLACE THE CENTER POSTS INSIDE THE RAILINGS AT THE FRONT AND REAR OF THE PLAYSET. LINE UP THE HOLES IN THE CENTER POSTS WITH THE HOLES IN THE RAILINGS.
- 3: FASTEN THE CENTER POSTS TO THE RAILINGS WITH 5/16" X 2-1/2" HEX BOLTS AND 5/16" WASHERS AT THE TOP.
- 4: SQUARE EACH CENTER POST TO THE DECK AND SECURE THE BOTTOM OF THE CENTER POST TO THE BOTTOM BOARDS WITH #8 X 2-1/2" WOOD SCREWS.



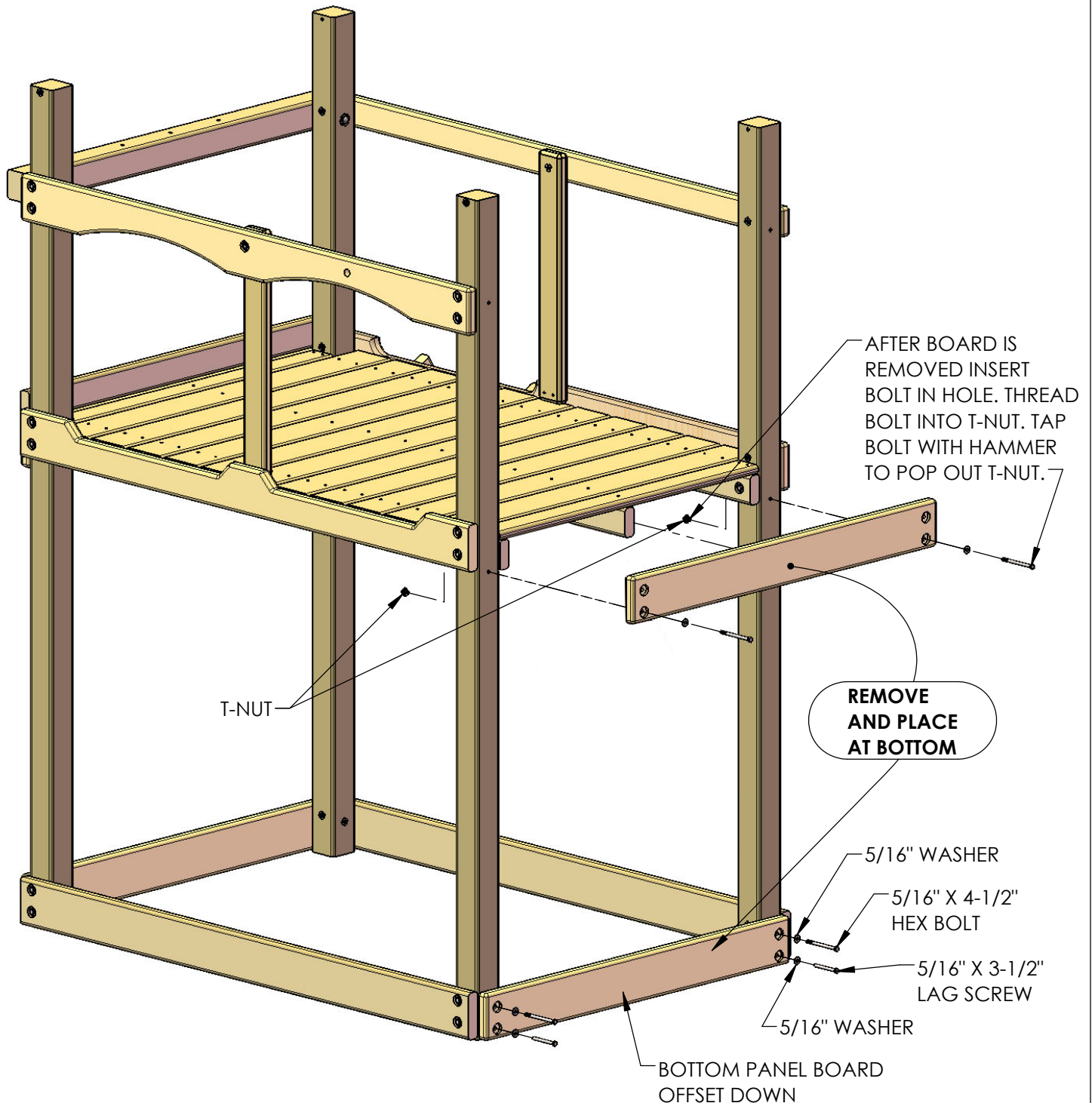
## STEP 12: MOVE BOTTOM PANEL BOARD

1: IN THIS STEP YOU WILL REMOVE THE BOTTOM PANEL BOARD AND RELOCATE IT TO THE BOTTOM OF THE FORT.

2: REMOVE THE BOTTOM PANEL BOARD. THEN INSERT THE 5/16" X 4-1/2" HEX BOLTS BACK INTO THE HOLES AND THREAD THEM INTO THE T-NUTS. TAP EACH HEX BOLT AND THE T-NUT WILL POP OUT THE BACK SIDE OF THE POST.

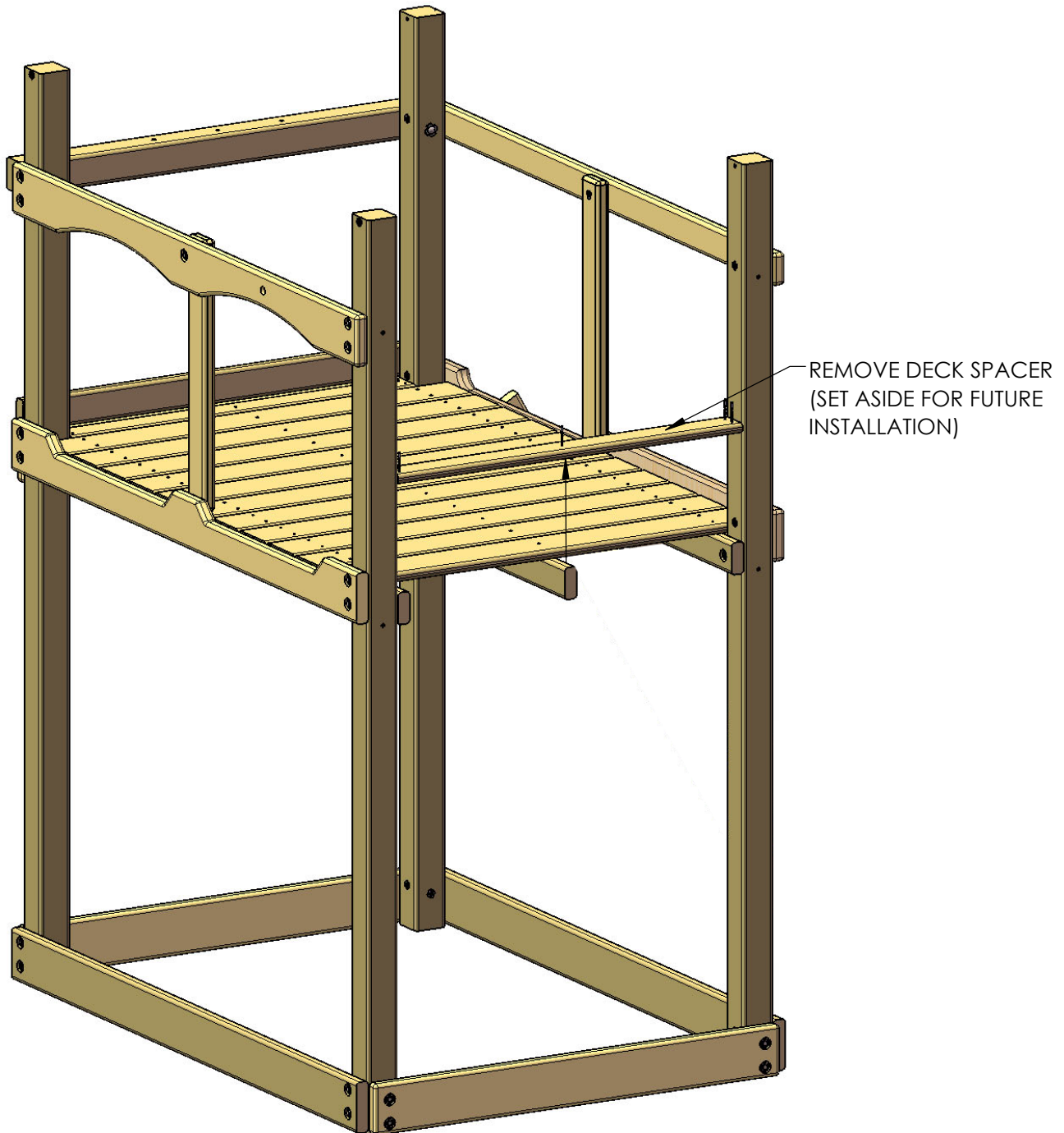
3: ATTACH THE BOTTOM PANEL BOARD WITH THE BOLTS AND WASHERS USED PREVIOUSLY INTO THE TOP HOLES AS SHOWN.

4: INSTALL 5/16" X 3-1/2" LAG SCREWS WITH 5/16" WASHERS IN THE TWO BOTTOM HOLES.



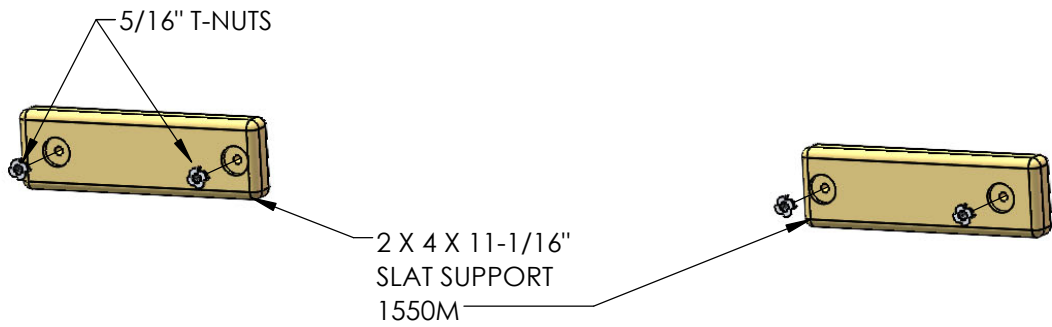
## STEP 13: REMOVE DECK SPACER

1: REMOVE THE DECK SPACER AS SHOWN BELOW.

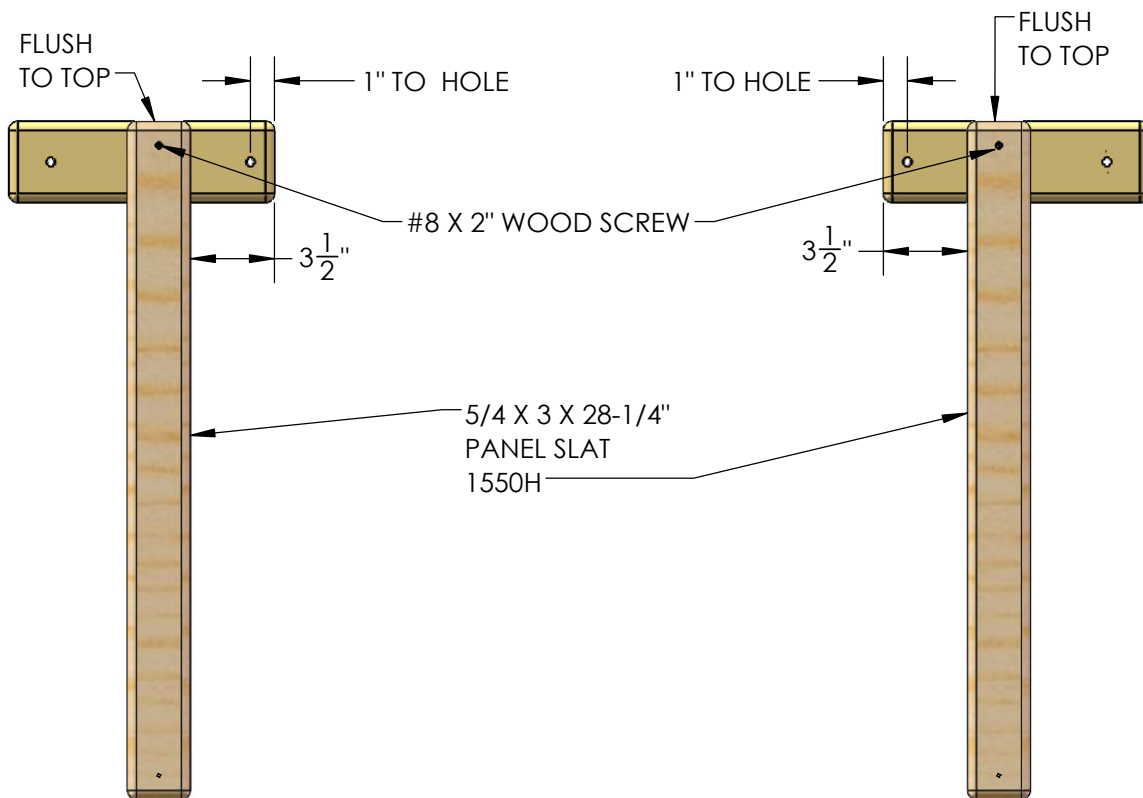


# STEP 14: SLAT SUPPORT AND PANEL SLATS

1: HAMMER TWO 5/16" T-NUTS INTO TWO 1550M BOARDS AS SHOWN.

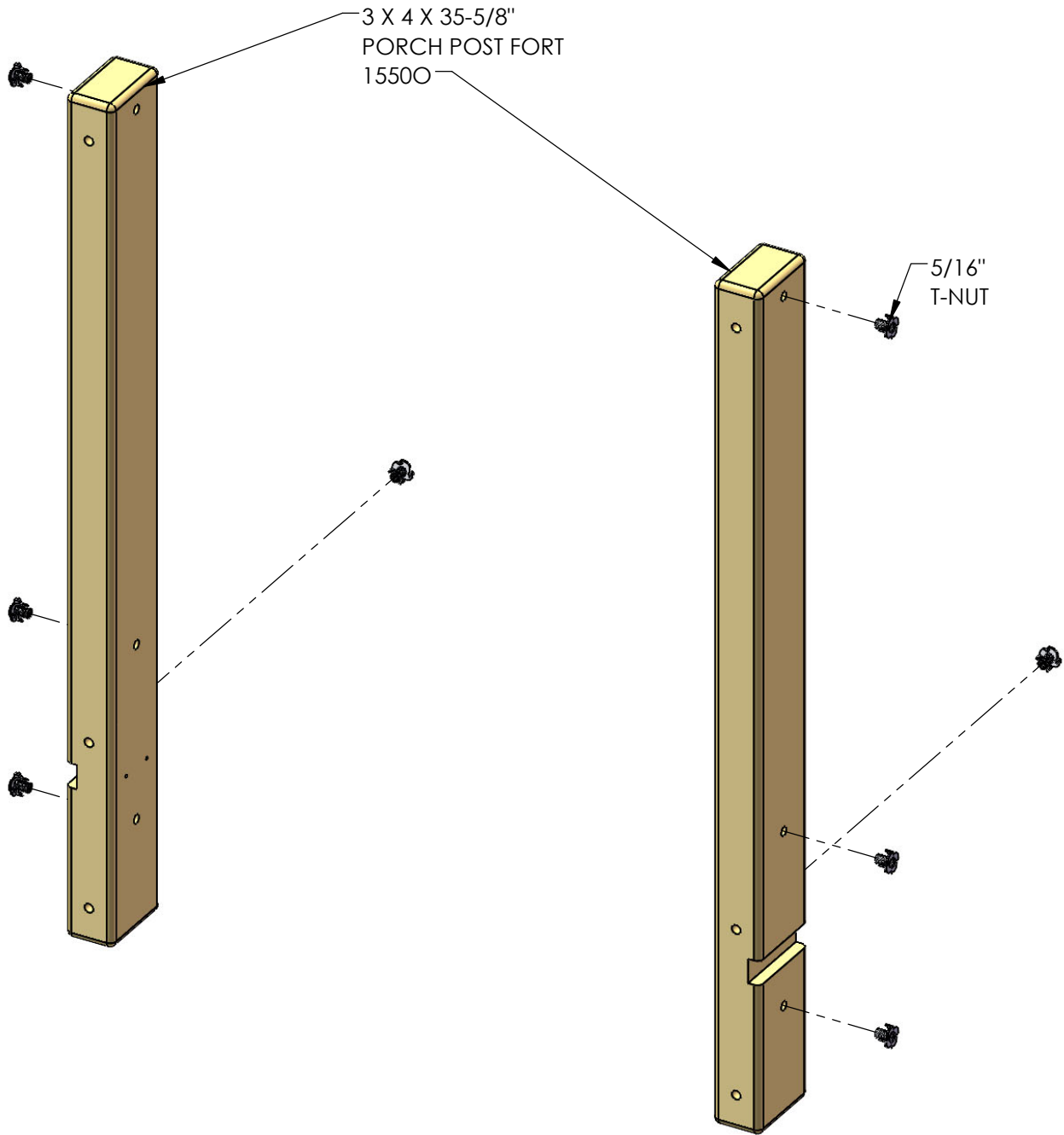


2: FLIP THE 1550M SLAT SUPPORTS OVER. THEN FASTEN A PANEL SLAT TO THE BACK OF EACH BOARD.



# STEP 15: PORCH POSTS

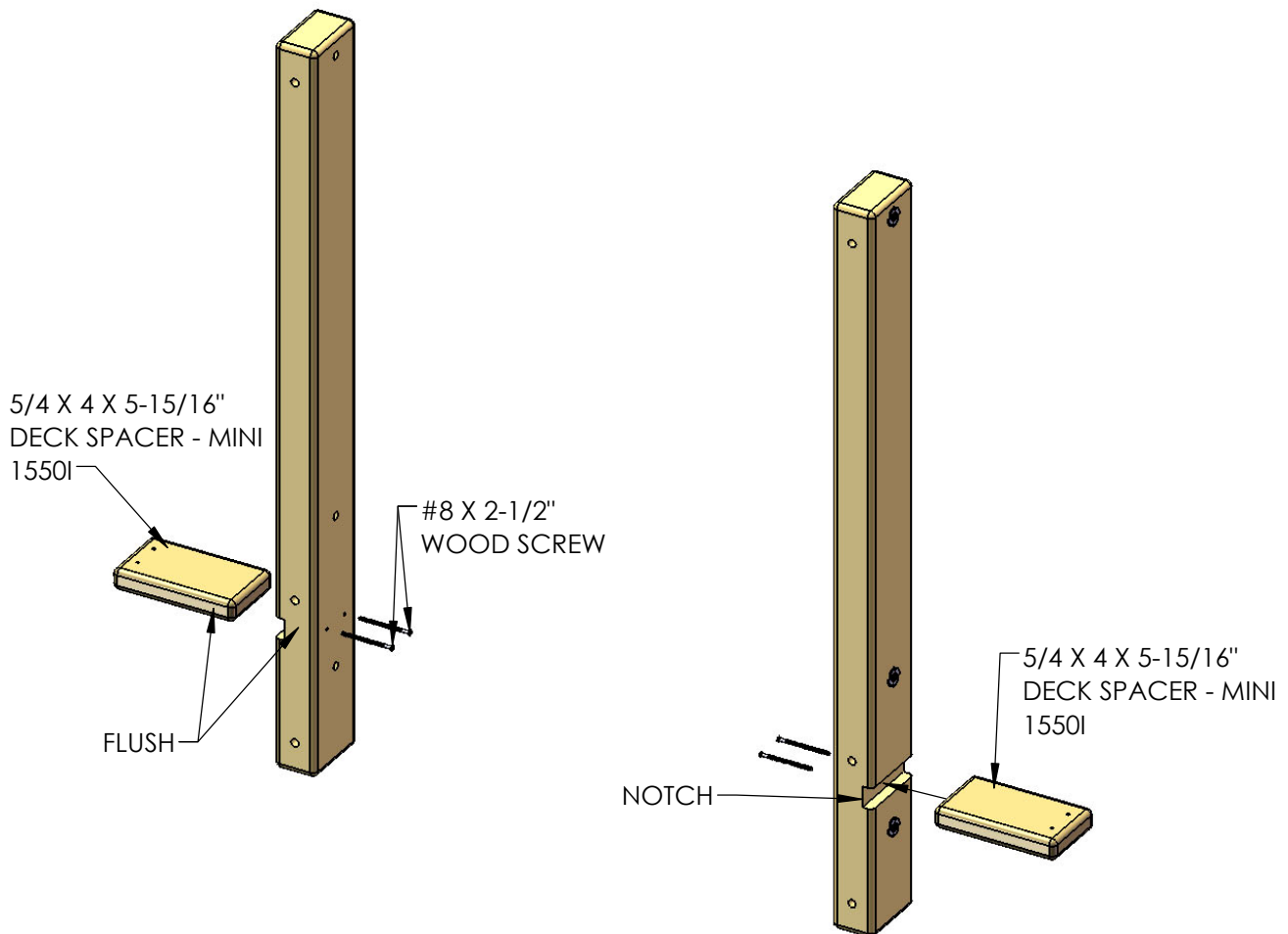
1: INSTALL FOUR 5/16" T-NUTS INTO THE PORCH POSTS AS SHOWN.



## STEP 16: DECK SPACER - MINI

1: PLACE EACH 1550I DECK SPACER MINI IN THE NOTCH OF THE PORCH POSTS.

2: FASTEN EACH DECK SPACER MINI WITH #8 X 2-1/2" WOOD SCREWS.



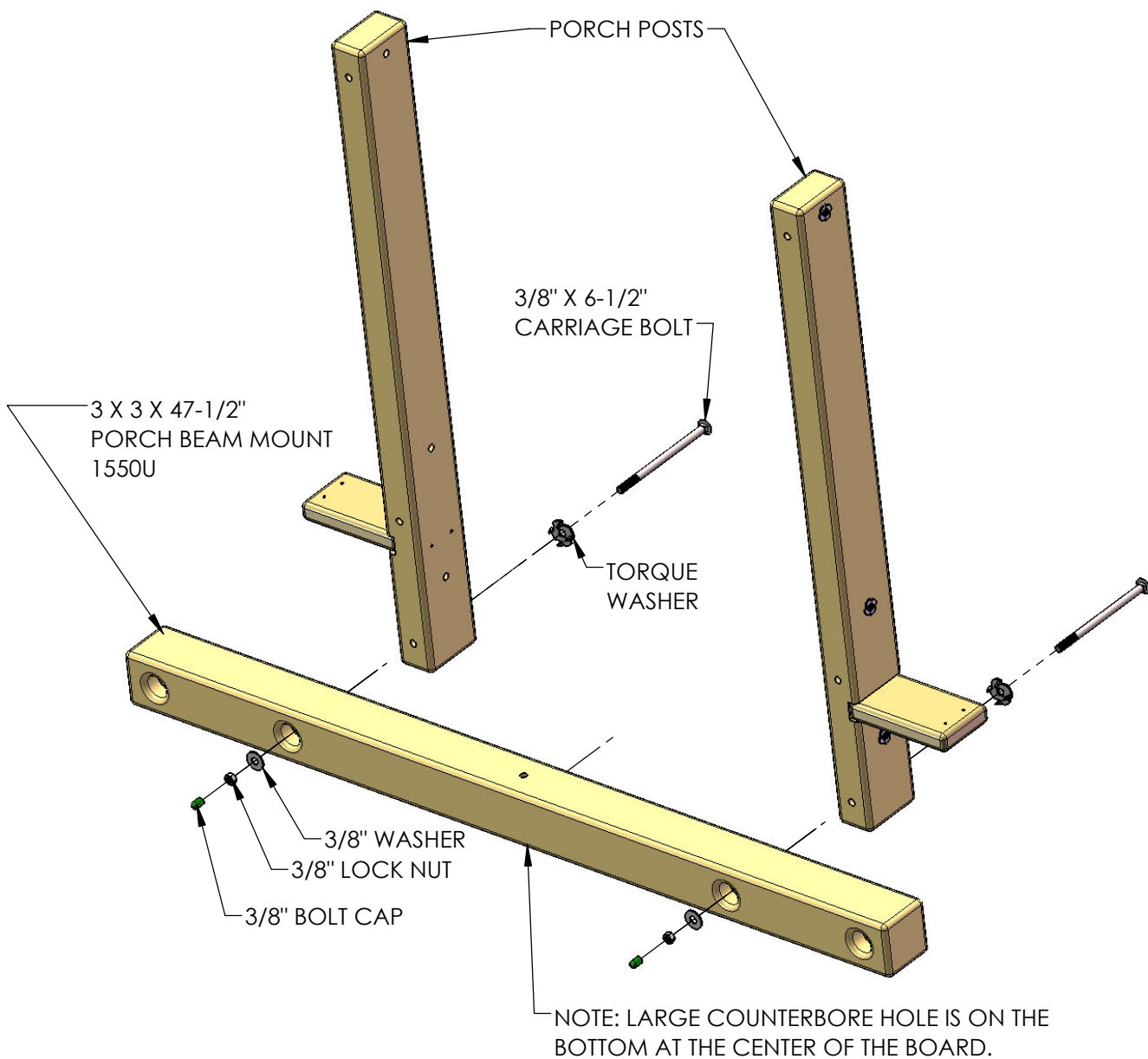
## STEP 17: PORCH BEAM MOUNT

1: FIND TWO TORQUE WASHERS. PLACE A 6-1/2" CARRIAGE BOLT THROUGH THE TORQUE WASHER, MAKING SURE THAT THE TEETH ARE FACING IN THE SAME DIRECTION AS THE THREADS OF THE CARRIAGE BOLT. PLACE THE TORQUE WASHER/CARRIAGE BOLT ASSEMBLY INTO THE PORCH POST BOTTOM HOLE AS SHOWN BELOW. USE A HAMMER TO SET THE TEETH OF THE TORQUE WASHER INTO THE PORCH POST.

2: PLACE THE PORCH BEAM MOUNT ON THE CARRIAGE BOLTS.

3: FASTEN THE PORCH BEAM MOUNT TO THE PORCH POSTS WITH 3/8" WASHERS, 3/8" LOCK NUTS.

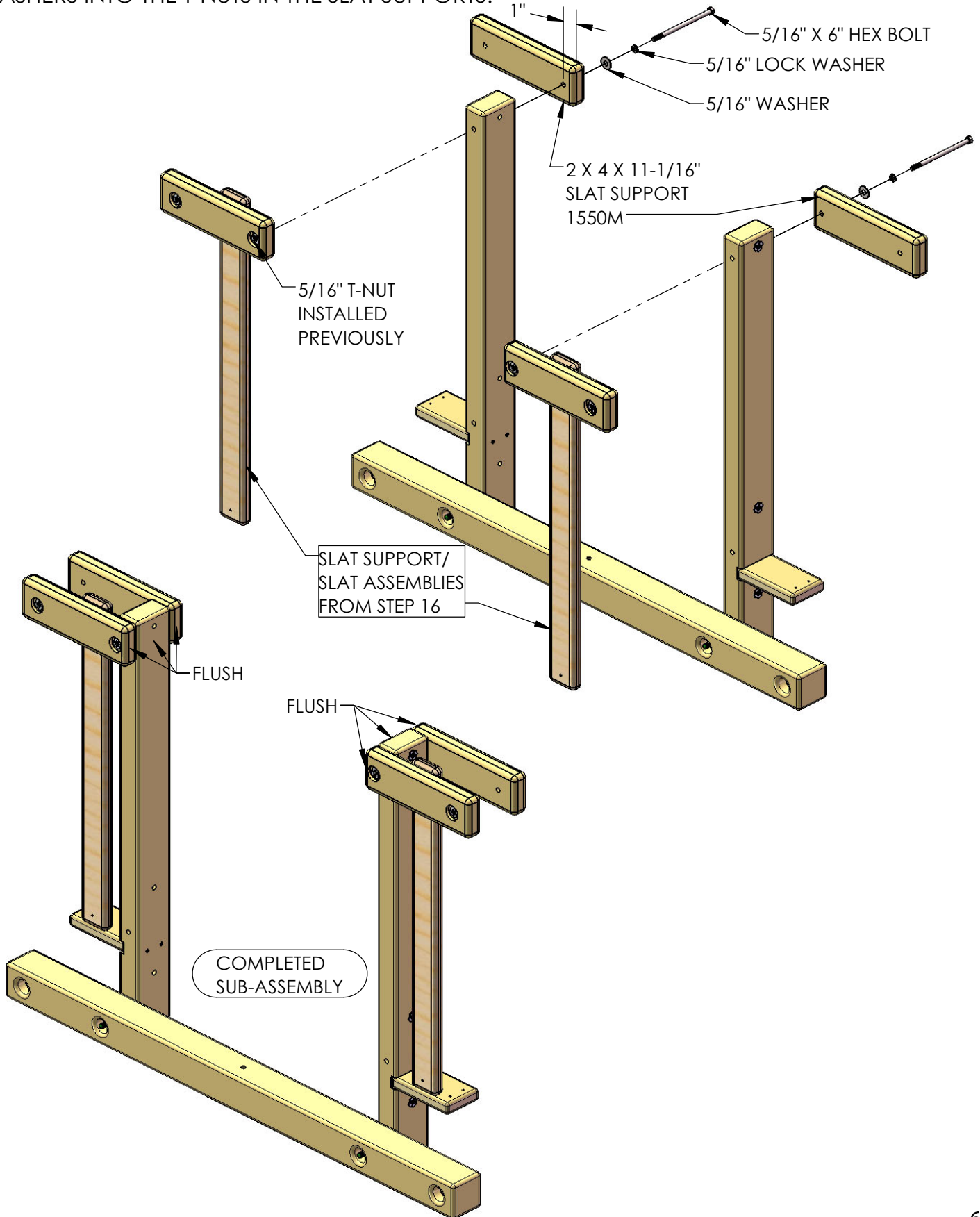
4: PLACE 3/8" BOLT CAPS ONTO THE ENDS OF THE CARRIAGE BOLTS.



## STEP 18: SLAT SUPPORTS TO PORCH POSTS

1: FASTEN THE SLAT SUPPORT/SLAT ASSEMBLIES TO THE PORCH POSTS BY CONNECTING THEM TO THE SLAT SUPPORTS ON THE OPPOSITE SIDE OF THE PORCH POSTS.

2: FASTEN THE PARTS TOGETHER WITH 5/16" X 6" HEX BOLTS, 5/16" LOCK WASHERS, 5/16" WASHERS INTO THE T-NUTS IN THE SLAT SUPPORTS.



## STEP 19: PORCH SUB ASSEMBLY TO FORT

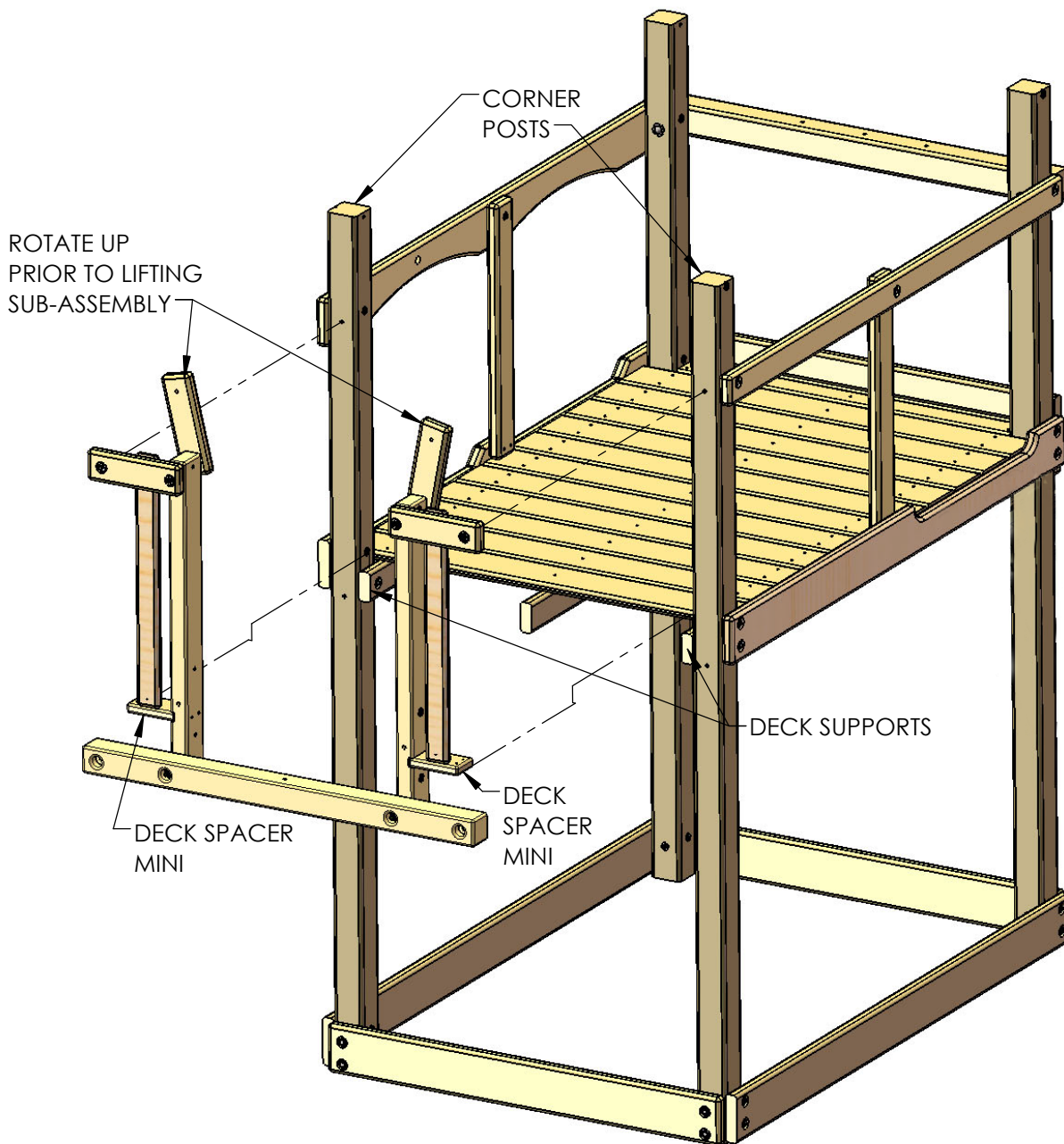
1: FLIP THE TWO SLAT SUPPORTS UP AS SHOWN.

2: WITH ASSISTANCE LIFT THE SUB ASSEMBLY UP. CAUTION PARTS MAY MOVE CAUSING PINCH POINTS. KEEP HANDS AWAY FROM AREAS THAT CAN PIVOT.

3: PLACE THE DECK SPACER MINI BOARDS ON TOP OF THE DECK SUPPORTS.

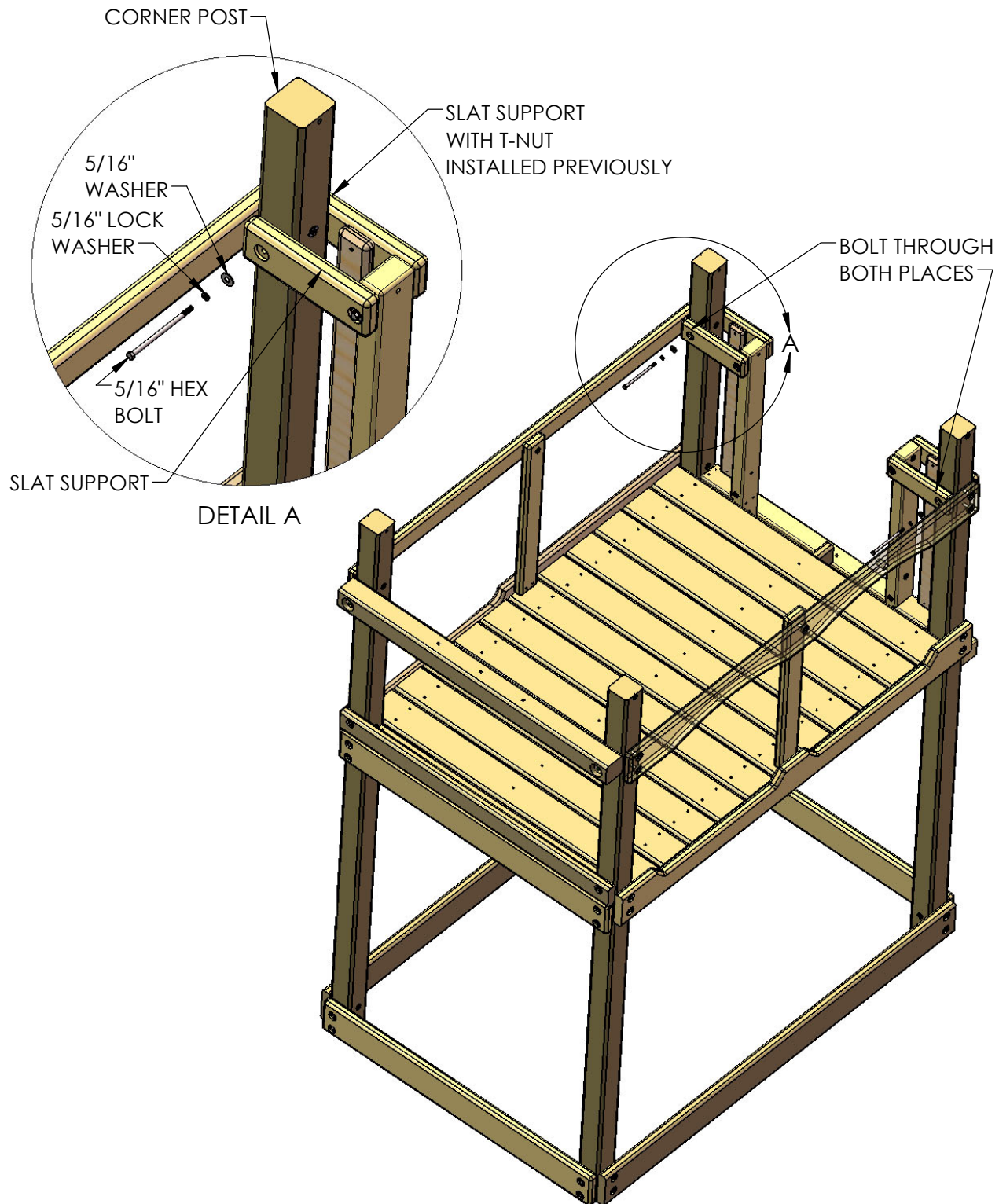
4: ONCE THE SUB ASSEMBLY IS SITTING ON THE DECK SUPPORTS ROTATE THE SLAT SUPPORTS DOWN BEHIND THE CORNER POSTS.

5: THE SUB ASSEMBLY SHOULD NOT MOVE AT THIS POINT BUT HAVE AN ASSISTANT STEADY IT WHILE YOU PREPARE FOR THE NEXT STEP.



## STEP 20: BOLT SLAT SUPPORTS TO POSTS

- 1: FASTEN THE SLAT SUPPORT THROUGH THE CORNER POST TO THE OPPOSITE SLAT SUPPORT.
- 2: USE A 5/16" X 6" HEX BOLT, 5/16" LOCK WASHER AND A 5/16" WASHER TO GO THROUGH THE BOARDS INTO THE T-NUT PREVIOUSLY INSTALLED IN THE SLAT SUPPORT.
- 3: REPEAT FOR THE SLAT SUPPORTS ON THE OTHER SIDE.
- 4: YOUR ASSISTANT SHOULD BE ABLE TO LET GO OF THE SUB ASSEMBLY NOW.

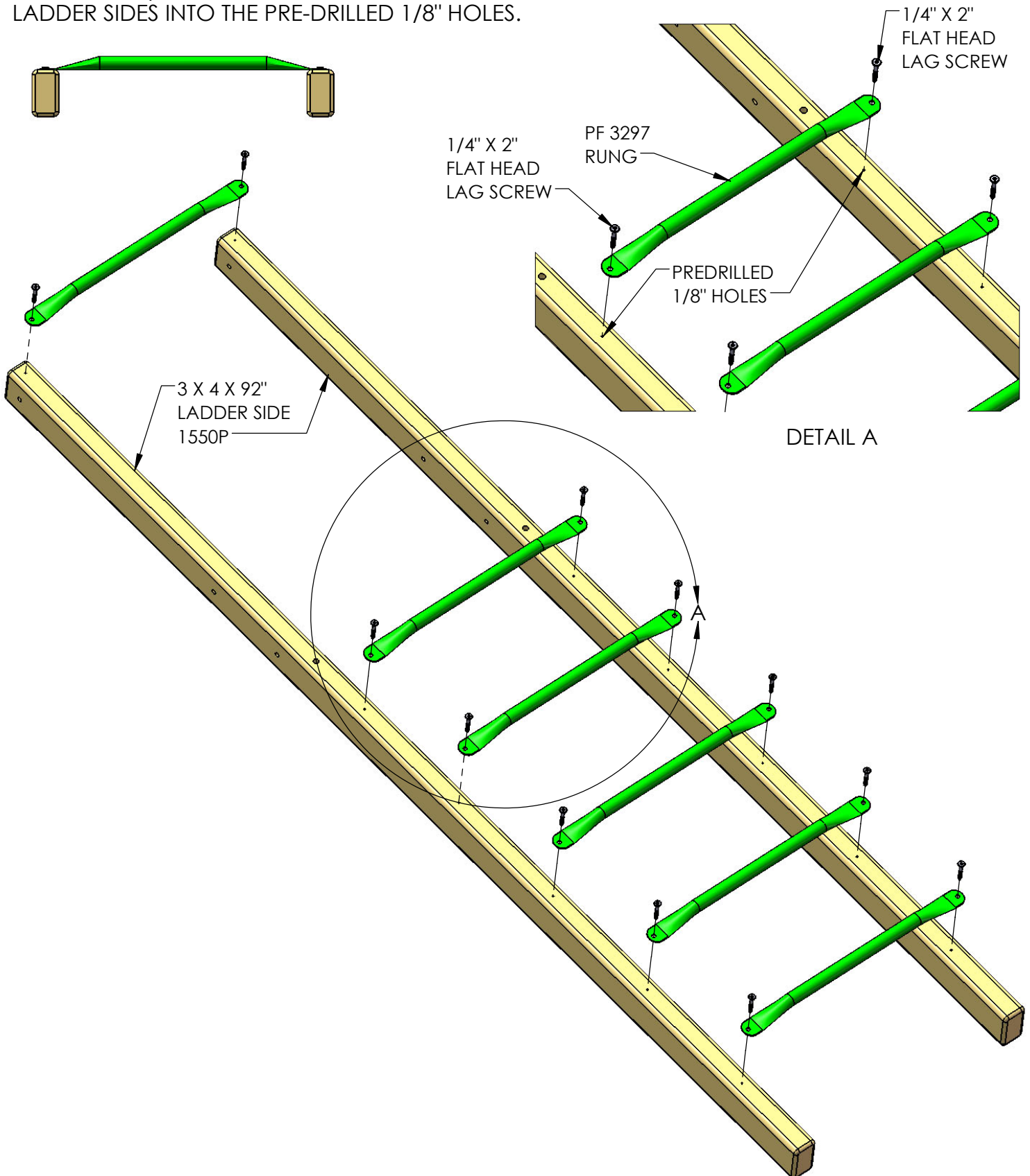


## STEP 21: PORCH LADDER

1: LOCATE SIX PF 3297 RUNGS. THE FLATTENED SIDE OF THE RUNG WILL GO AGAINST THE LADDER SIDE SURFACE.

2: PLACE TWO 1550P LADDER SIDES NEXT TO ONE ANOTHER AS SHOWN BELOW.

3: USE TWO 1/4" X 2" LONG FLAT HEAD LAG SCREWS TO ATTACH EACH RUNG TO THE LADDER SIDES INTO THE PRE-DRILLED 1/8" HOLES.



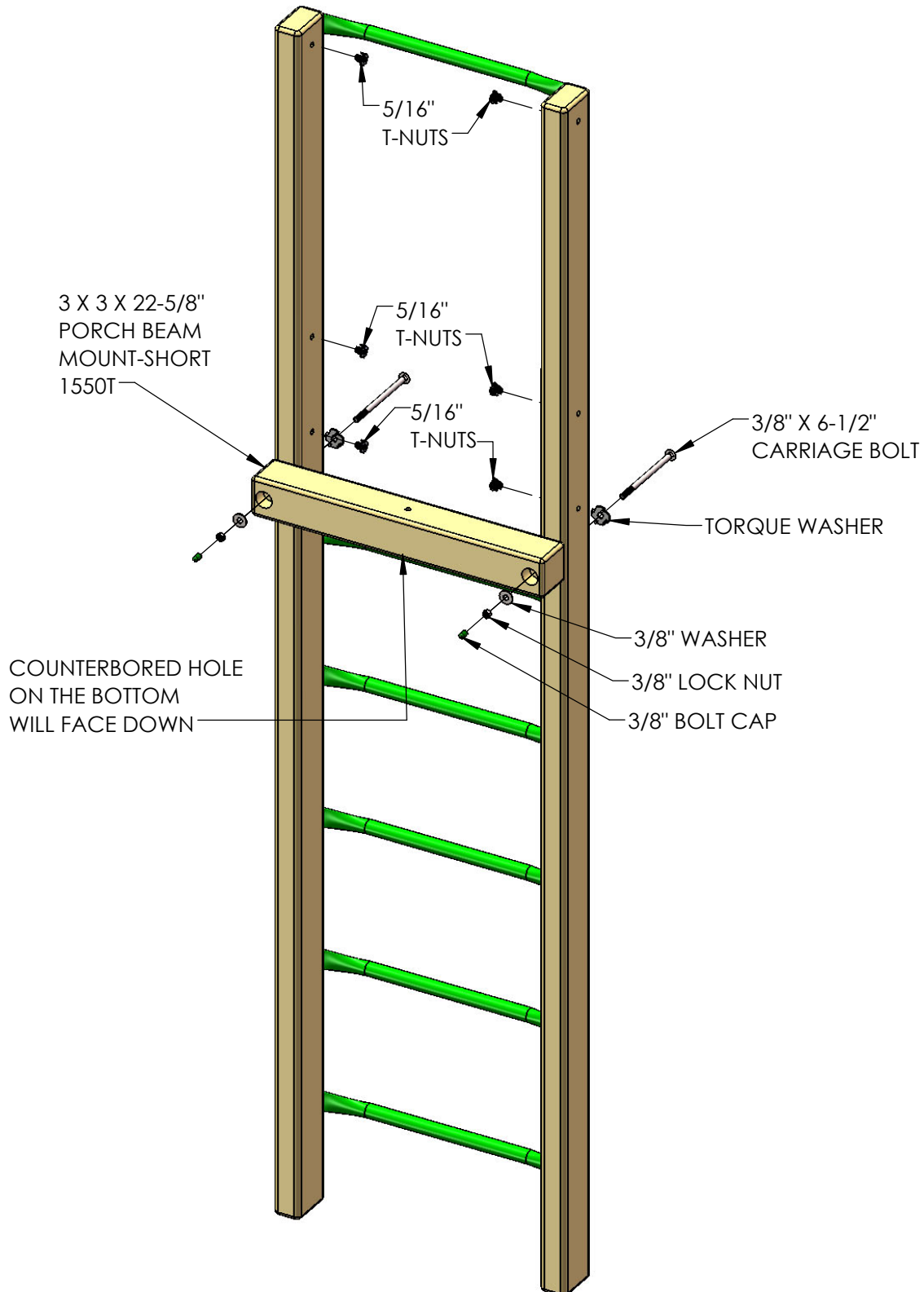
## STEP 22: PORCH BEAM MOUNT - SHORT/T-NUTS

1: INSTALL SIX T-NUTS ON THE INSIDE OF THE LADDER SIDES AS SHOWN BELOW.

2: PLACE THE PORCH BEAM MOUNT-SHORT 1550T ON THE INSIDE OF THE LADDER AS SHOWN.

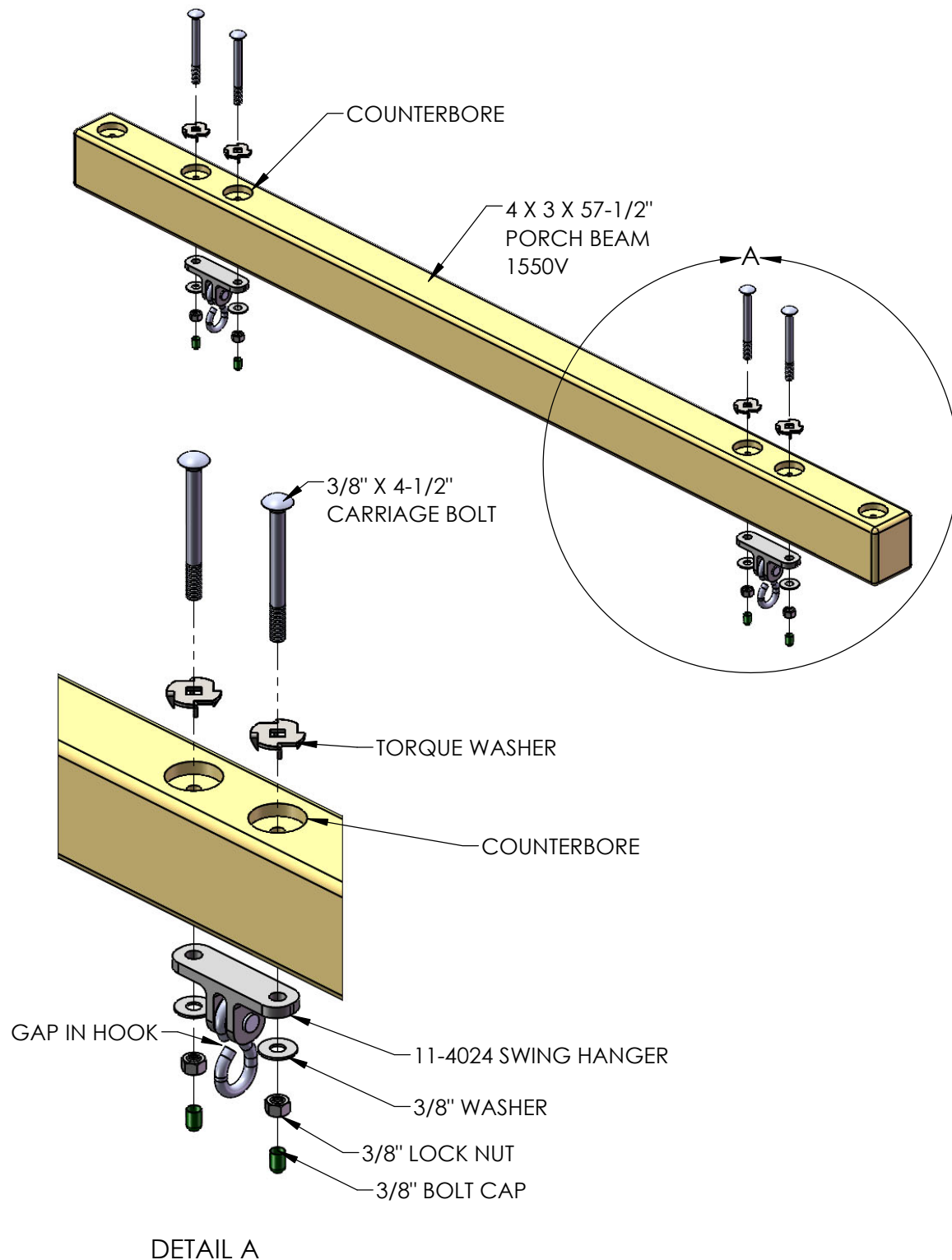
3: FASTEN THE BEAM MOUNT TO THE LADDER WITH 3/8" X 6-1/2" CARRIAGE BOLTS, 3/8" TORQUE WASHERS, 3/8" WASHERS, 3/8" LOCK NUTS AND BOLT CAPS.

NOTE: THE BOTTOM COUNTERBORED HOLE IN THE BEAM MOUNT WILL FACE DOWN.



## STEP 23: PORCH BEAM AND SWING HANGERS

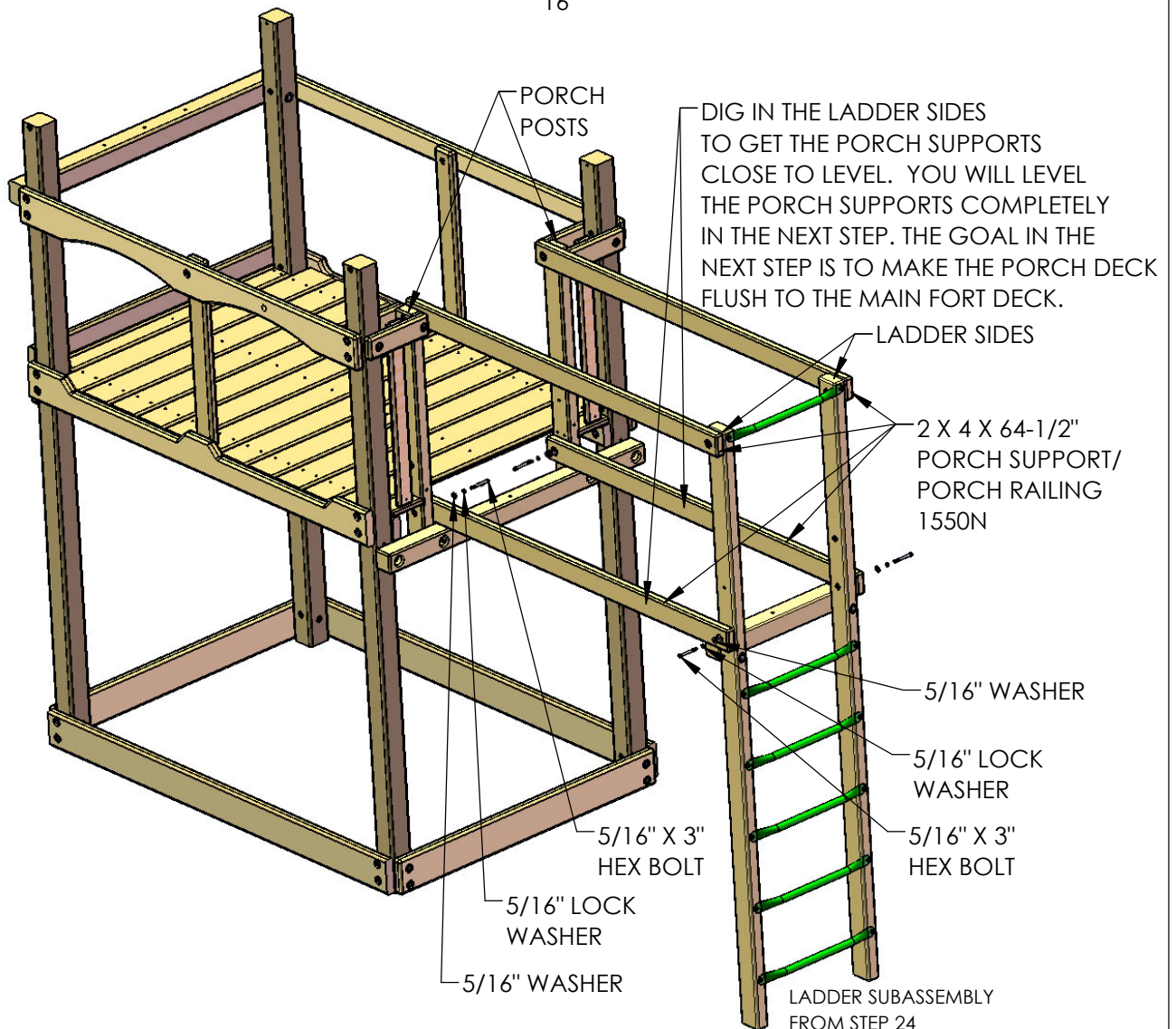
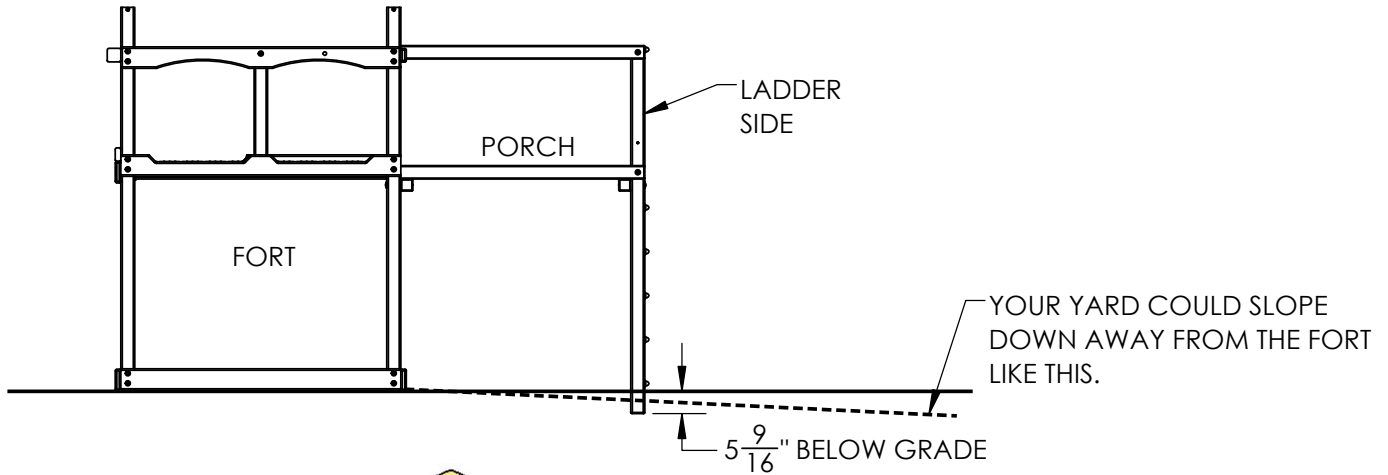
- 1: PLACE THE CARRIAGE BOLTS THROUGH THE TORQUE WASHERS.
- 2: PLACE THE CARRIAGE BOLTS INTO THE COUNTERBORED SIDE OF THE PORCH POST. USE A HAMMER TO SET THE TEETH OF THE TORQUE WASHERS INTO THE WOOD.
- 3: PLACE A SWING HANGER OVER THE ENDS OF THE CARRIAGE BOLTS. MAKE SURE THE GAP IN THE SWING HANGER HOOKS FACE THE SAME DIRECTION.
- 4: ATTACH THE SWING HANGERS WITH 3/8" WASHERS, 3/8" LOCK NUTS AND 3/8" BOLT CAPS.



## STEP 24: PORCH LADDER TO FORT

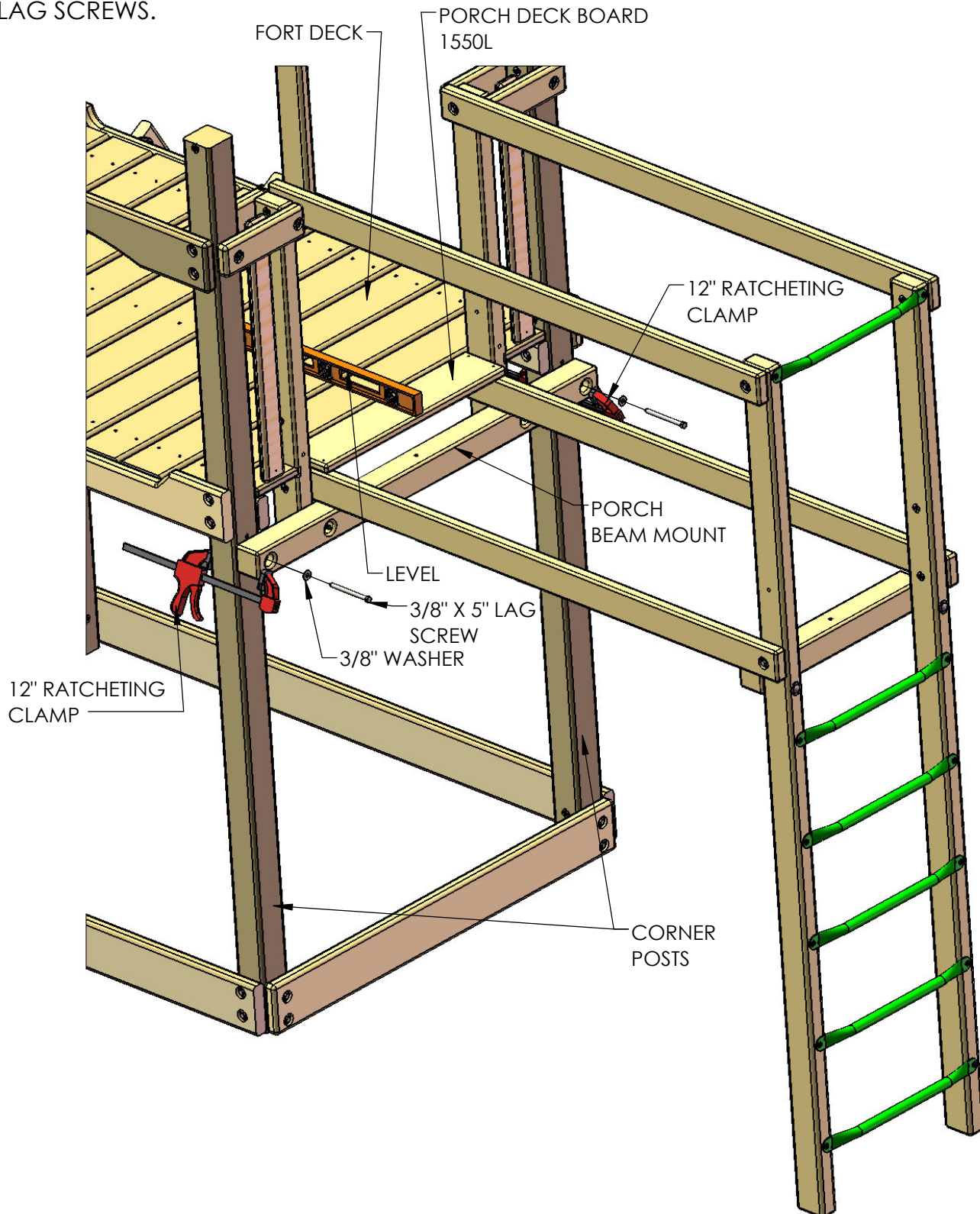
1: (SEE TOP IMAGE BELOW) THE BOTTOM OF THE LADDER SIDES ARE BELOW THE GRADE OF THE FORT. THIS WAS DONE TO ACCOUNT FOR VARIATIONS IN THE SLOPE OF YOUR BACKYARD. IDEALLY THE PLAYSET AREA SHOULD BE LEVEL. DEPENDING UPON THE SLOPE OF YOUR BACKYARD YOU MAY HAVE TO DIG INTO THE GROUND FOR THE LADDER SIDES TO LEVEL THE PORCH.

2: ATTACH FOUR 1550N PORCH SUPPORT/PORCH RAILING PARTS TO THE PORCH POSTS AND LADDER SIDES. USE 5/16" X 3" HEX BOLTS, 5/16" LOCK WASHERS AND 5/16" WASHERS TO FASTEN THE PARTS.



## STEP 25: PORCH LEVELING

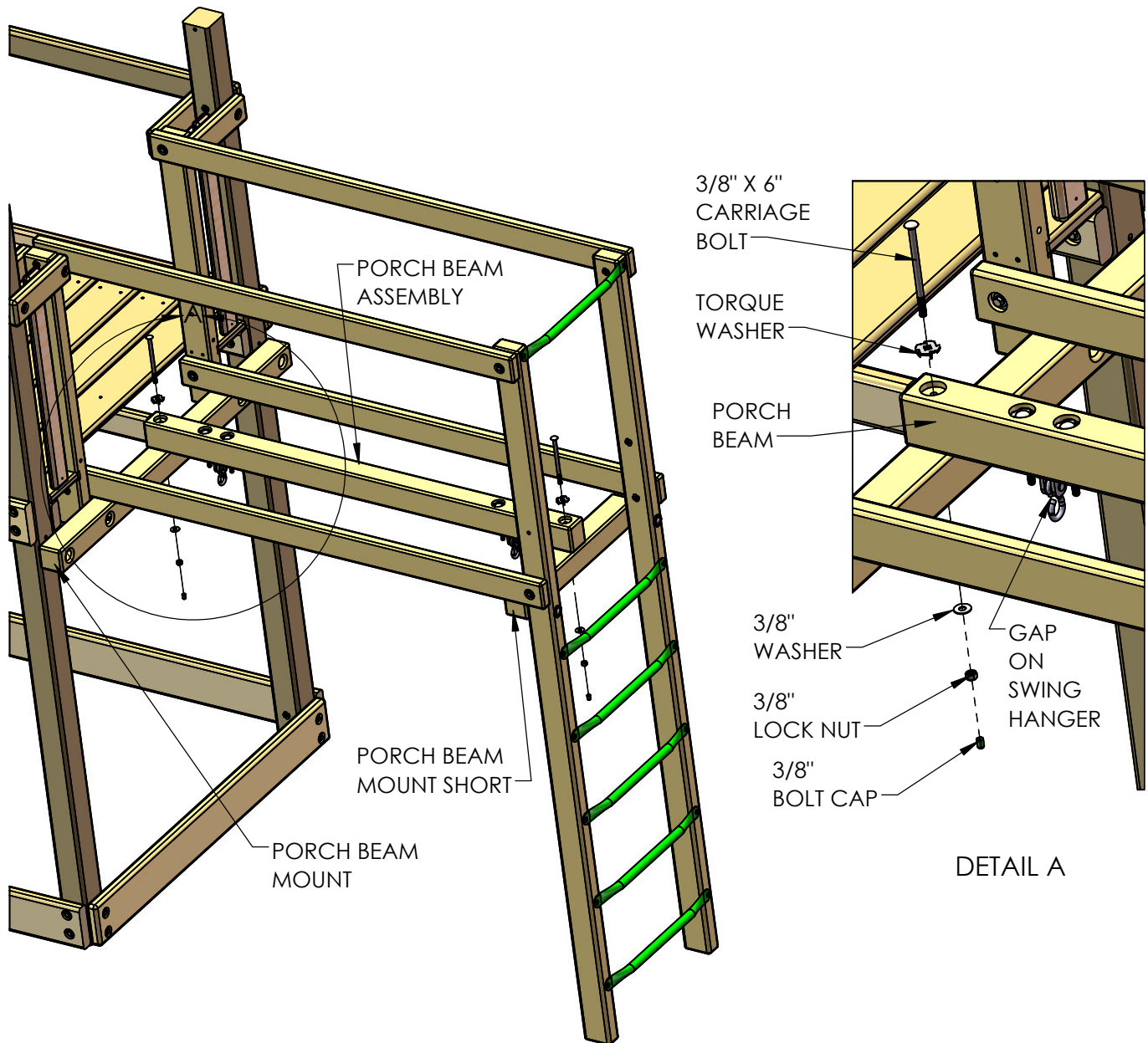
- 1: PLACE A 1550L PORCH DECK BOARD ON TOP OF THE PORCH SUPPORTS AS SHOWN.
- 2: PLACE A LEVEL ON TOP OF THE PORCH DECK BOARD SPANNING ONTO THE FORT DECK.
- 3: ADJUST THE PORCH BEAM MOUNT UP OR DOWN TO MAKE THE PORCH DECK BOARD LEVEL/FLUSH TO THE FORT DECK. USE TWO CLAMPS TO HOLD THE PORCH BEAM MOUNT IN POSITION.
- 4: FASTEN THE PORCH BEAM MOUNT TO THE CORNER POSTS WITH 3/8" WASHERS AND 3/8" X 5" LAG SCREWS.



## STEP 26: PORCH BEAM TO FORT

1: PLACE THE PORCH BEAM ON TOP OF THE PORCH BEAM MOUNT AND PORCH BEAM MOUNT SHORT. THE GAP ON THE SWING HANGERS SHOULD FACE OUT AS SHOWN.

2: LINE UP THE HOLES IN EACH END OF THE BEAM. INSTALL A 3/8" X 6" CARRIAGE BOLT WITH A TORQUE WASHER INTO THE END HOLES. SET THE TEETH OF THE TORQUE WASHER INTO THE WOOD WITH A HAMMER. FASTEN THE PORCH BEAM WITH 3/8" WASHERS, 3/8" LOCK NUTS. THEN PUT BOLT CAPS OVER THE ENDS OF THE CARRIAGE BOLT THREADS.

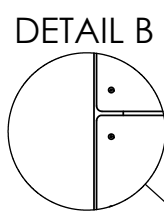
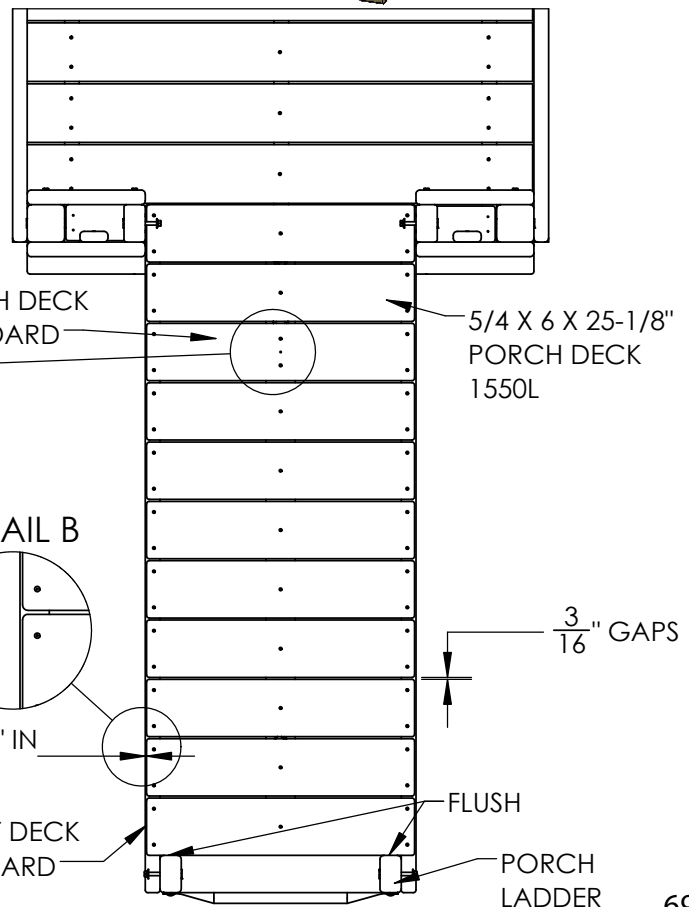
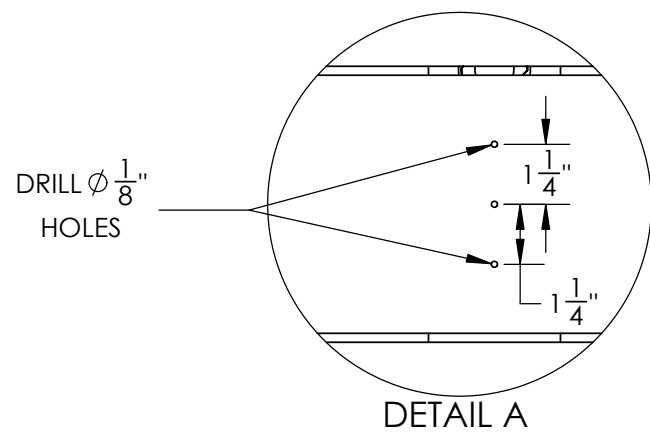
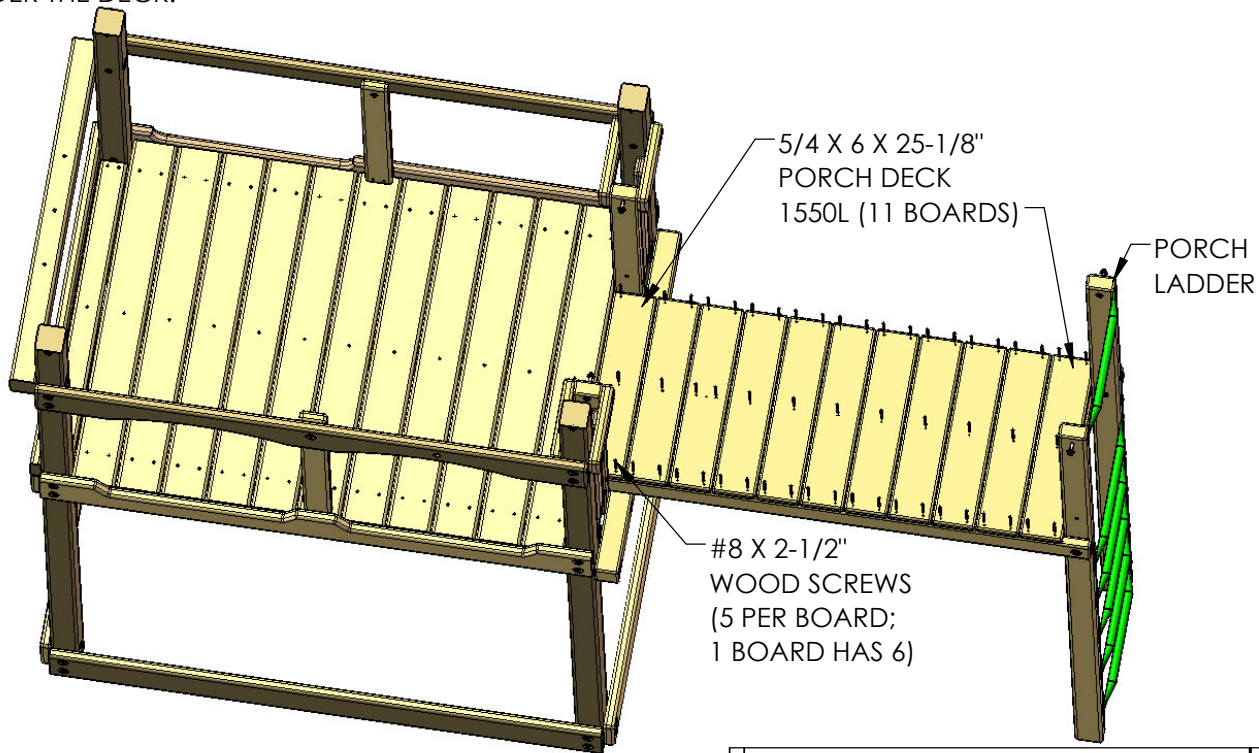


# STEP 27: PORCH DECK

1: PLACE THE FIRST PORCH DECK BOARD FLUSH AGAINST THE PORCH LADDER AS SHOWN IN THE BOTTOM IMAGE BELOW. INSTALL FIVE #8 X 2-1/2" WOOD SCREWS TO ATTACH THE DECK BOARD.

2: USING A 3/16" DRILL BIT AS A SPACER; SPACE THE NEXT DECK BOARD AWAY FROM THE PRIOR ONE. INSTALL ONE #8 X 2-1/2" WOOD SCREW ON ONE SIDE. THEN GO TO THE OTHER SIDE AND USE THE 3/16" DRILL BIT AS A SPACER TO INSTALL A SCREW ON THAT SIDE. THEN INSTALL THE REMAINING THREE SCREWS IN THE DECK BOARD.

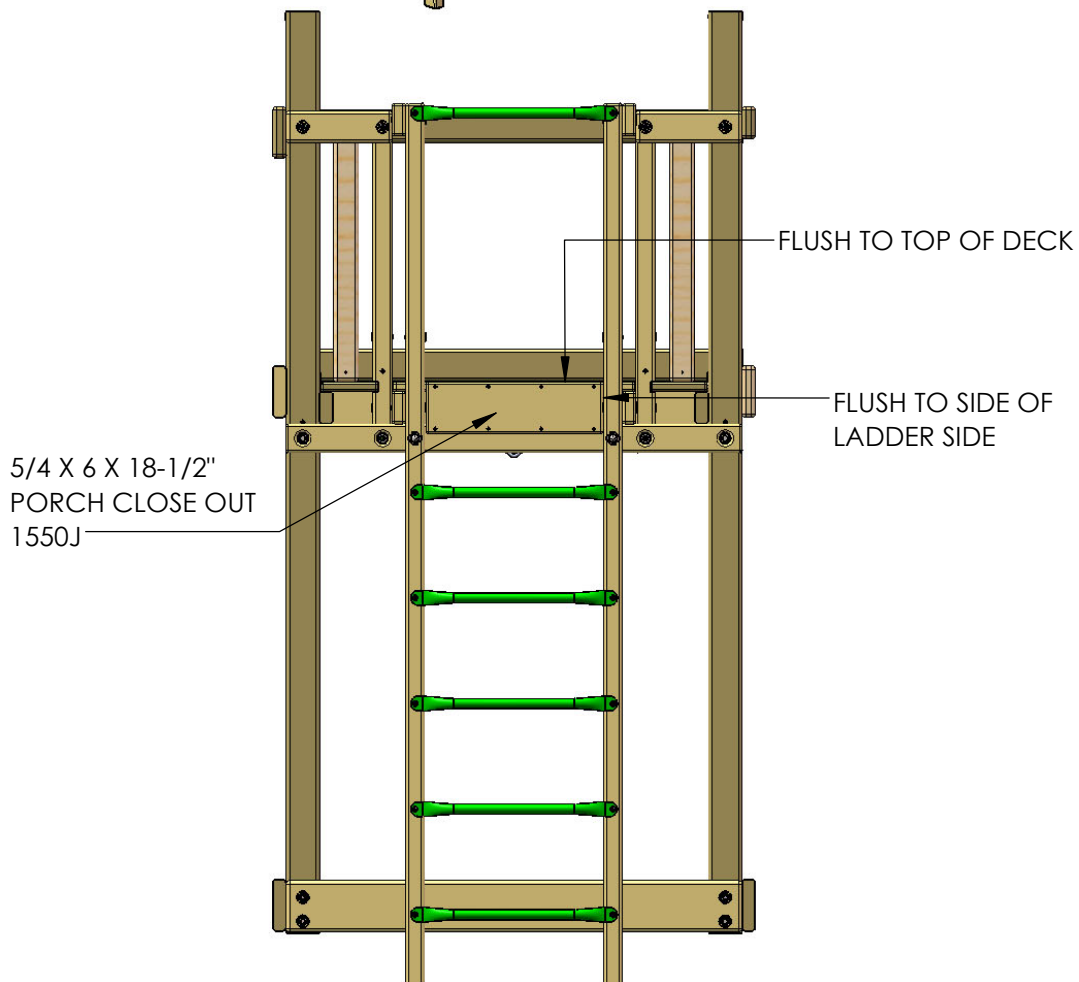
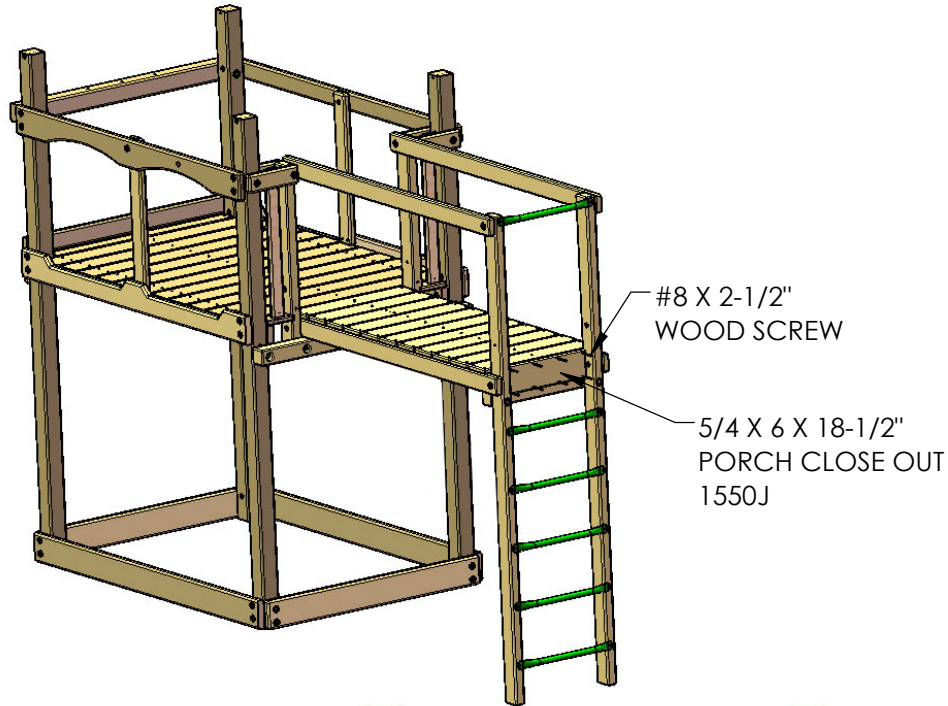
3: REPEAT SUBSTEP 2 ABOVE FOR THE REMAINING DECK BOARDS. WHEN YOU GET TO THE NINTH DECK BOARD YOU WILL NEED TO DRILL 2 HOLES TO ATTACH IT IN THE CENTER. THIS IS TO AVOID INTERFERENCE WITH A CARRIAGE BOLT UNDER THE DECK.



ALL BOARDS ARE 1/8" IN FROM OUTSIDE

## STEP 28: PORCH CLOSE OUT

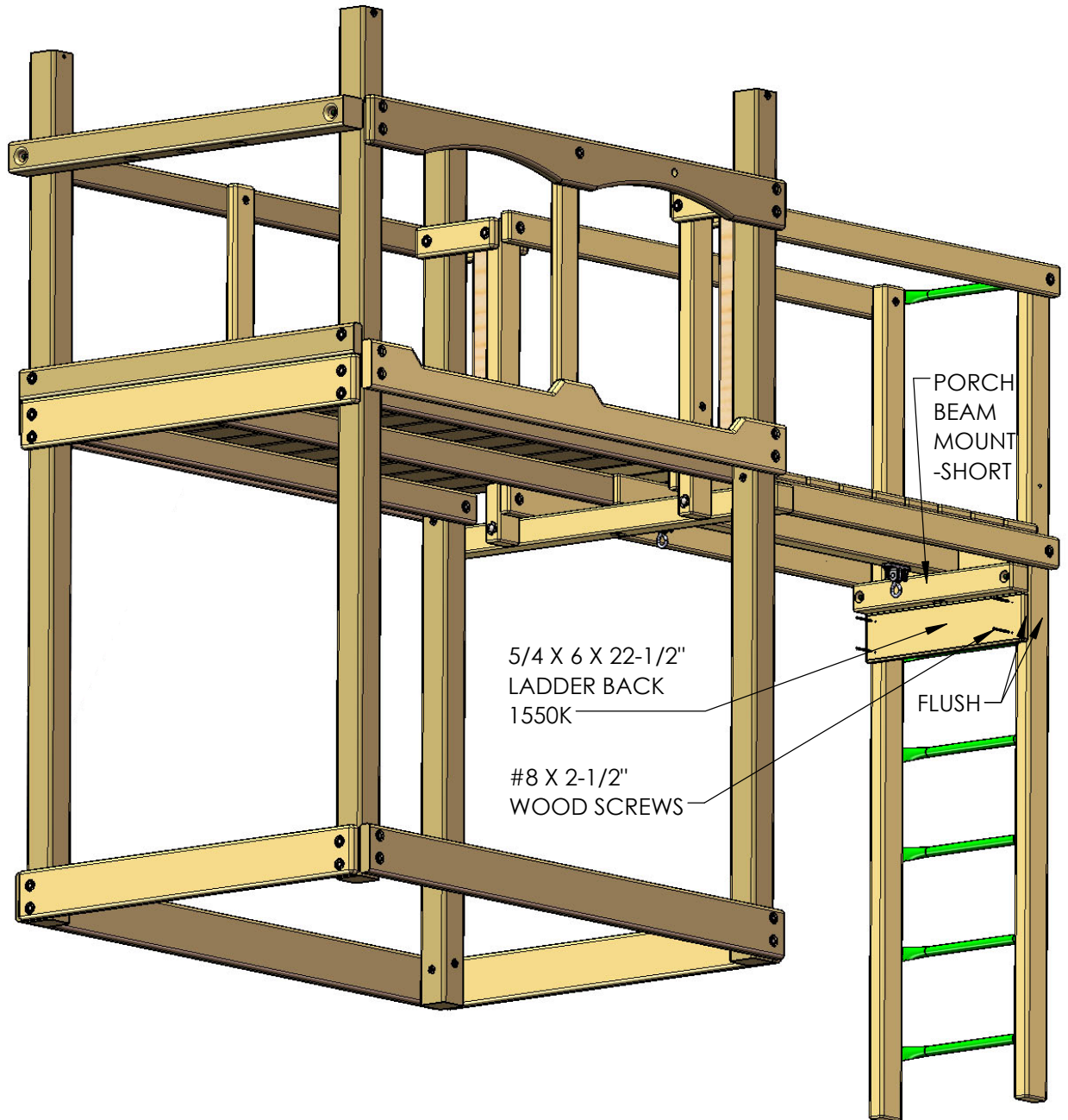
- 1: PLACE THE TOP EDGE OF THE PORCH CLOSE OUT FLUSH TO THE TOP OF THE PORCH DECK.
- 2: PLACE THE RIGHT SIDE OF THE PORCH CLOSE OUT FLUSH TO THE RIGHT LADDER SIDE.
- 3: INSTALL #8 X 2-1/2" WOOD SCREWS INTO ALL OF THE HOLES IN THE PORCH CLOSE OUT BOARD.



## STEP 29: LADDER BACK

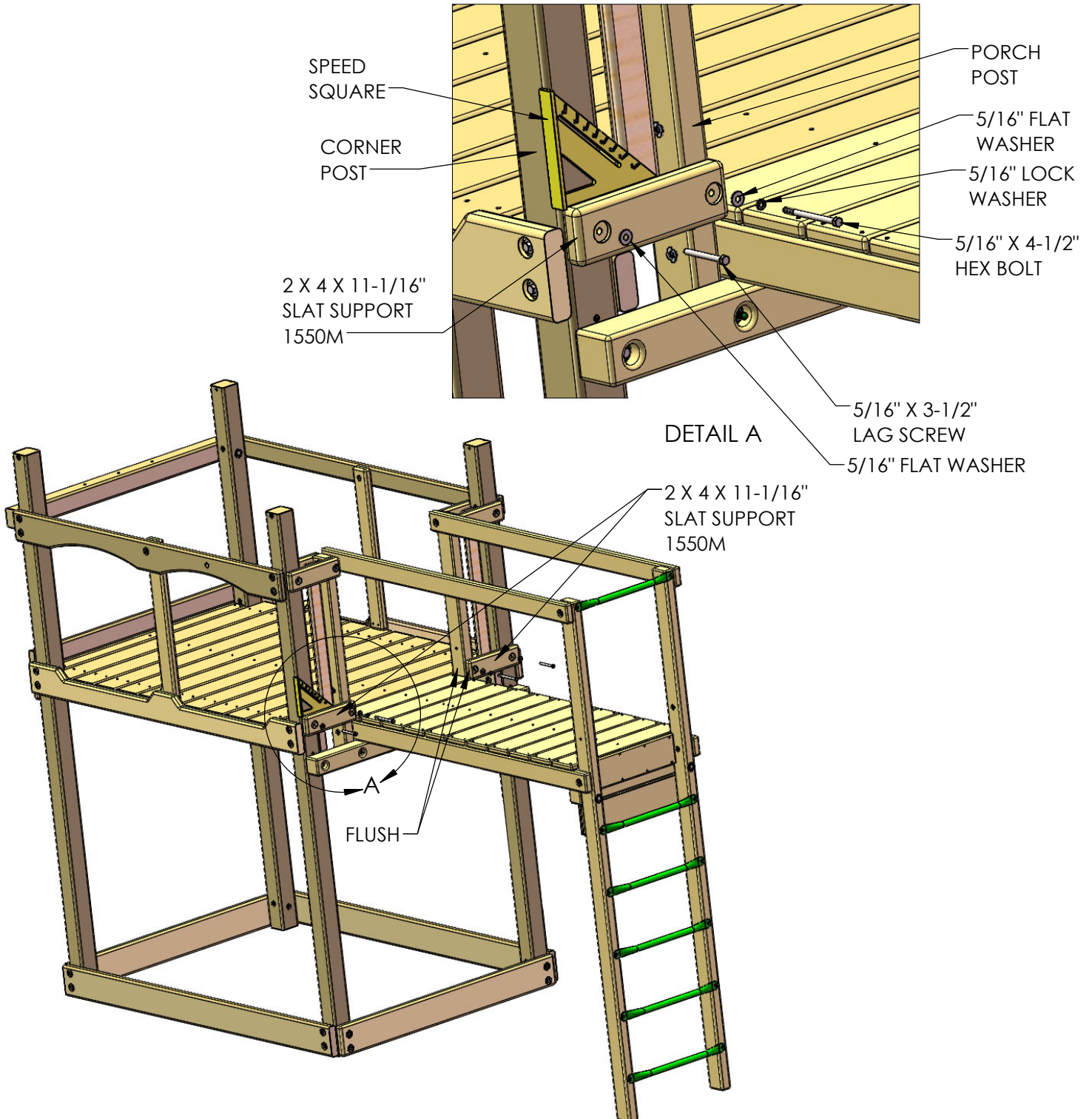
1: PLACE THE LADDER BACK DIRECTLY UNDER THE PORCH BEAM MOUNT-SHORT. FLUSH THE END OF THE LADDER BACK TO THE SIDE OF THE LADDER SIDE.

2: INSTALL #8 X 2-1/2" WOOD SCREWS INTO THE HOLES IN THE LADDER BACK.



## STEP 30: SLAT SUPPORTS (BOTTOM)

- 1: PLACE A SLAT SUPPORT NEAR THE DECK LEVEL AS SHOWN ON EACH SIDE. THE END OF THE SLAT SUPPORT SHOULD BE FLUSH WITH THE INSIDE OF THE PORCH POST.
- 2: ATTACH THE END OF THE SLAT SUPPORT TO THE PORCH POST WITH A 5/16" X 4-1/2" HEX BOLT, 5/16" LOCK WASHER AND 5/16" FLAT WASHER.
- 3: USE A SPEED SQUARE TO SQUARE THE SLAT SUPPORT TO THE CORNER POST. INSTALL A 5/16" X 3-1/2" LAG SCREW WITH 5/16" FLAT WASHER TO SECURE THE OTHER END OF THE SLAT SUPPORT TO THE CORNER POST.
- 4: REPEAT SUBSTEPS 2 AND 3 FOR THE SLAT SUPPORT ON THE OTHER SIDE.

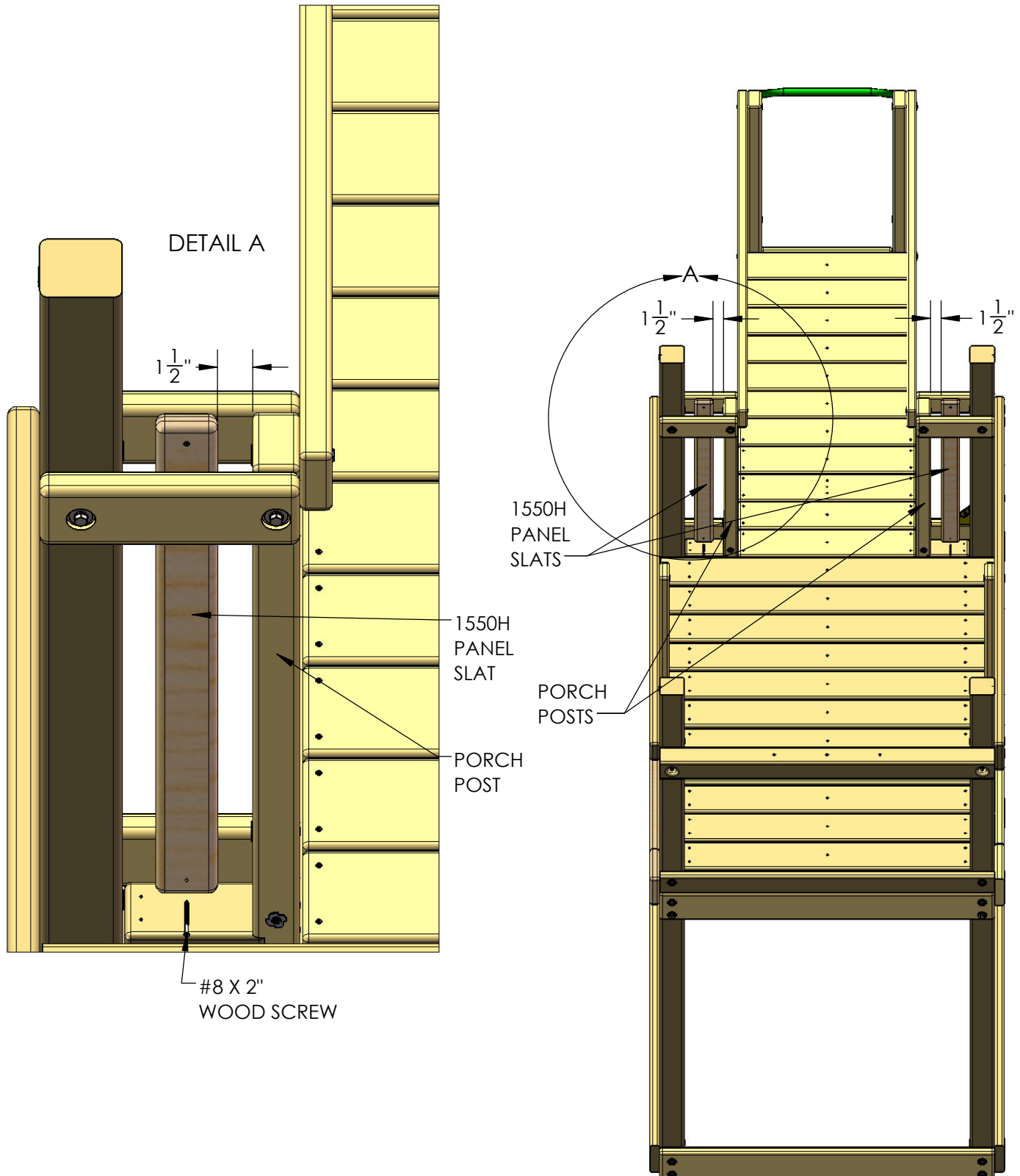


## STEP 31: PANEL SLATS TO SLAT SUPPORTS

1: MEASURE THE TOP GAP AS SHOWN BELOW. YOUR PANEL SLAT SHOULD BE ABOUT 1-1/2" OFF THE INSIDE OF THE PORCH POSTS. IF IT IS NOT 1-1/2" EXACTLY THAT IS OKAY, JUST RECORD THE DIMENSION YOU HAVE.

2: GO TO THE BOTTOM OF THE PANEL SLAT AND REPEAT YOUR RECORDED DIMENSION GOING FROM PORCH POST TO THE PANEL SLAT. NOW FASTEN THE BOTTOM OF THE PANEL SLAT WITH A #8 X 2" WOOD SCREW.

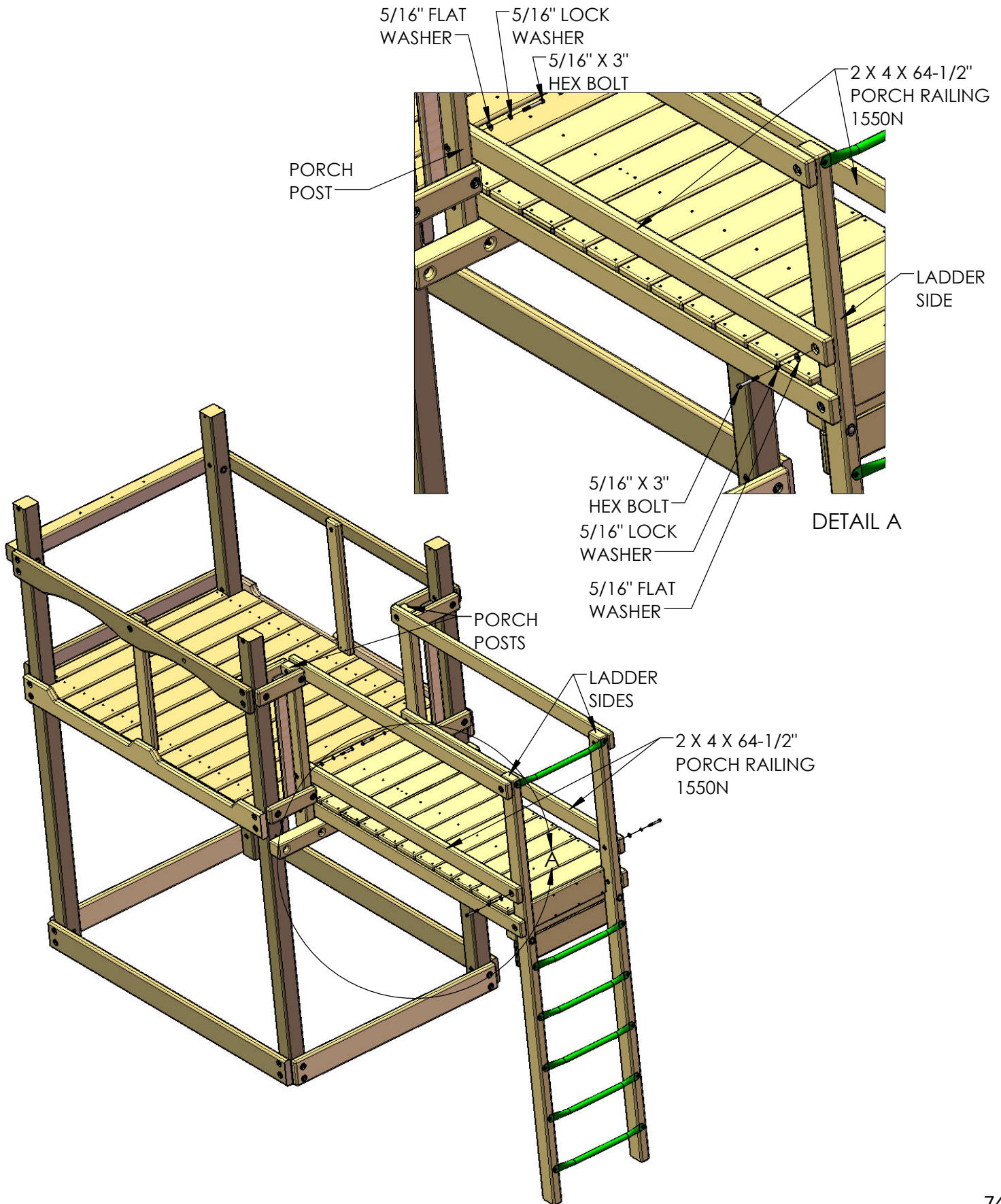
3: REPEAT SUBSTEPS 1 & 2 FOR THE OTHER PANEL SLAT.



## STEP 32: PORCH RAILINGS (LOWER)

1: LOCATE THE PORCH RAILINGS AGAINST THE PORCH POSTS AND LADDER SIDES AS SHOWN.

2: FASTEN EACH PORCH RAILING WITH 5/16" X 3" HEX BOLTS, 5/16" LOCK WASHERS AND 5/16" FLAT WASHERS.

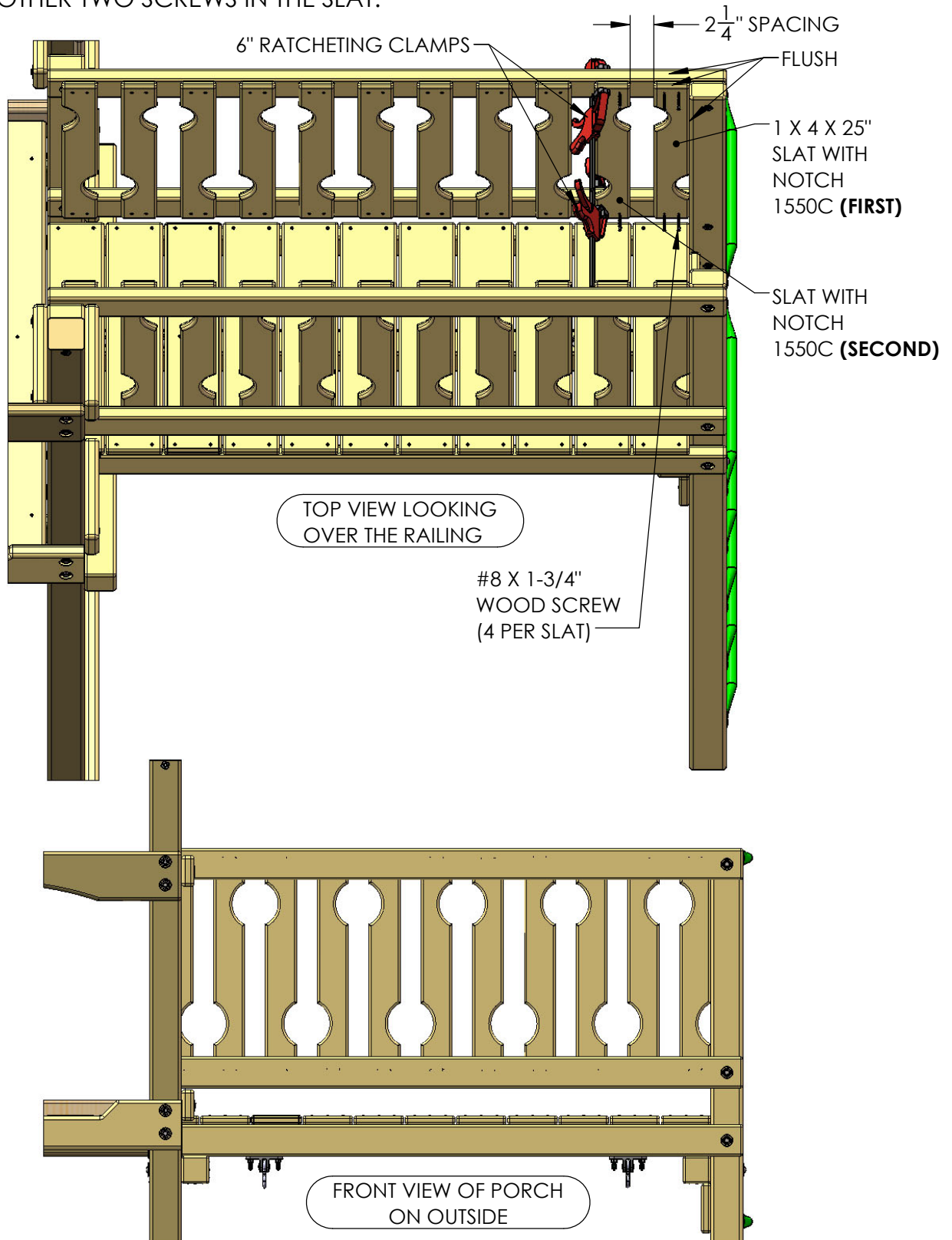


## STEP 33: SLATS WITH NOTCHES

1: INSTALL THE FIRST SLAT FLUSH TO THE TOP OF THE RAILING AND FLUSH TO THE INSIDE OF THE LADDER. FASTEN WITH FOUR #8 X 1-3/4" WOOD SCREWS.

2: SPACE THE NEXT SLAT OVER 2-1/4" AND FLUSH TO THE TOP OF THE RAILING. FASTEN WITH FOUR #8 X 1-3/4" WOOD SCREWS. REPEAT THIS PATTERN AS SHOWN.

TIP: USE TWO 6" RATCHETING CLAMPS TO HOLD EACH SLAT AT THE TOP AND BOTTOM. THEN ADJUST THE 2-1/4" SPACING AND INSTALL TWO WOOD SCREWS. REMOVE THE CLAMPS AND INSTALL THE OTHER TWO SCREWS IN THE SLAT.

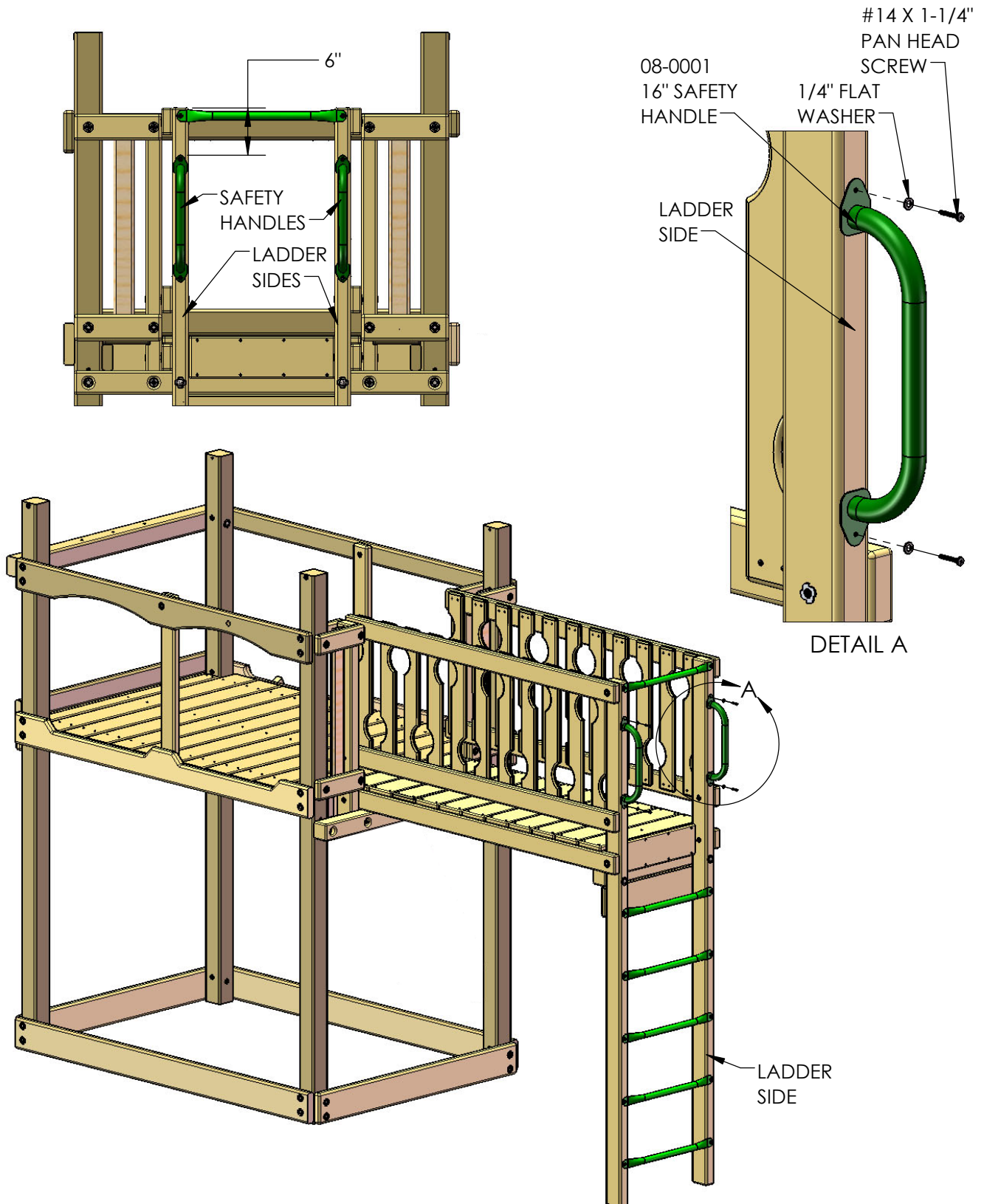


## STEP 34: METAL SAFETY HANDLES

1: PLACE THE METAL SAFETY HANDLES 6" DOWN FROM THE TOP OF THE LADDER SIDES AS SHOWN BELOW. CENTER THE HANDLE SIDE TO SIDE ON THE LADDER SIDE PART.

2: INSTALL A #14 X 1-1/4" PAN HEAD SCREW WITH 1/4" FLAT WASHER INTO EACH HOLE OF THE SAFETY HANDLE.

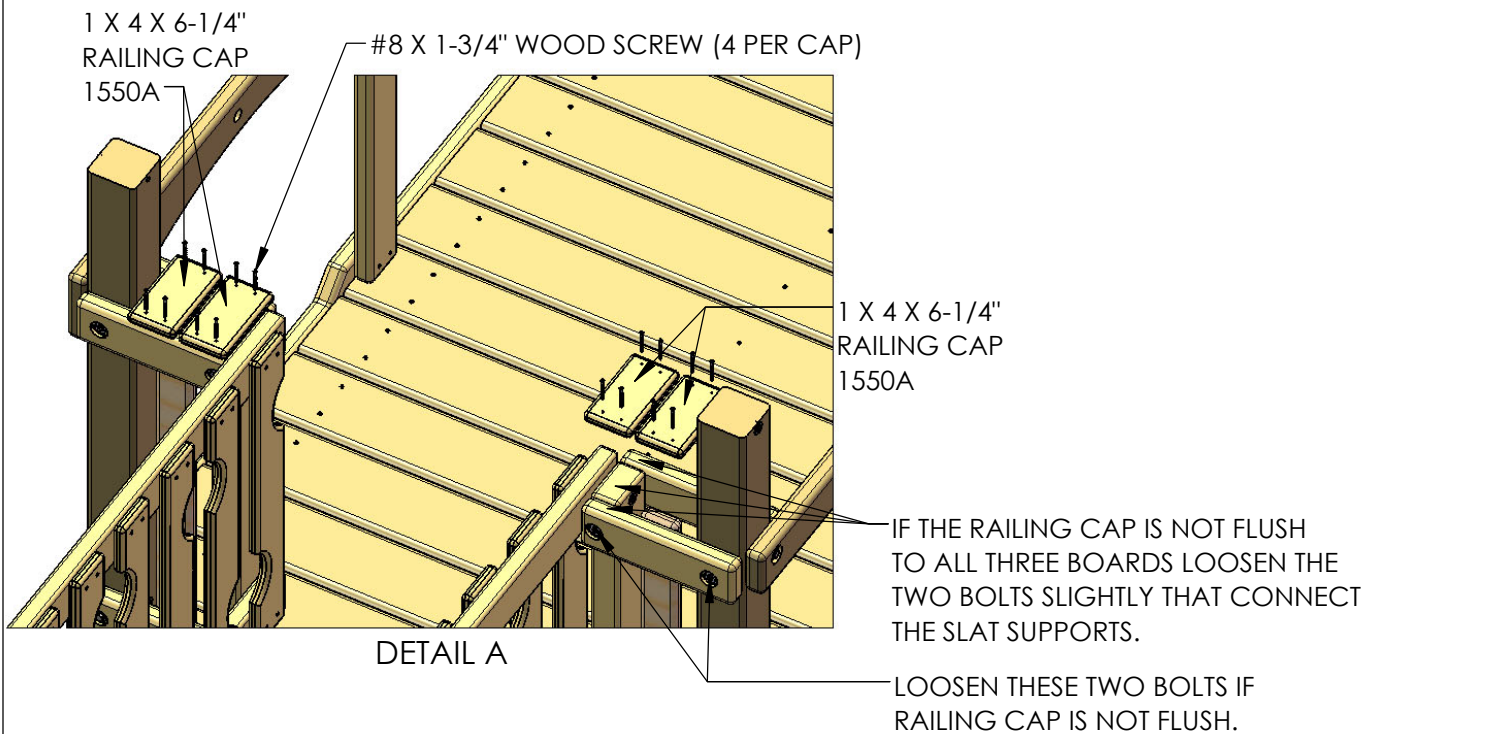
3: REPEAT SUBSTEPS 1 & 2 FOR THE OTHER SAFETY HANDLE.



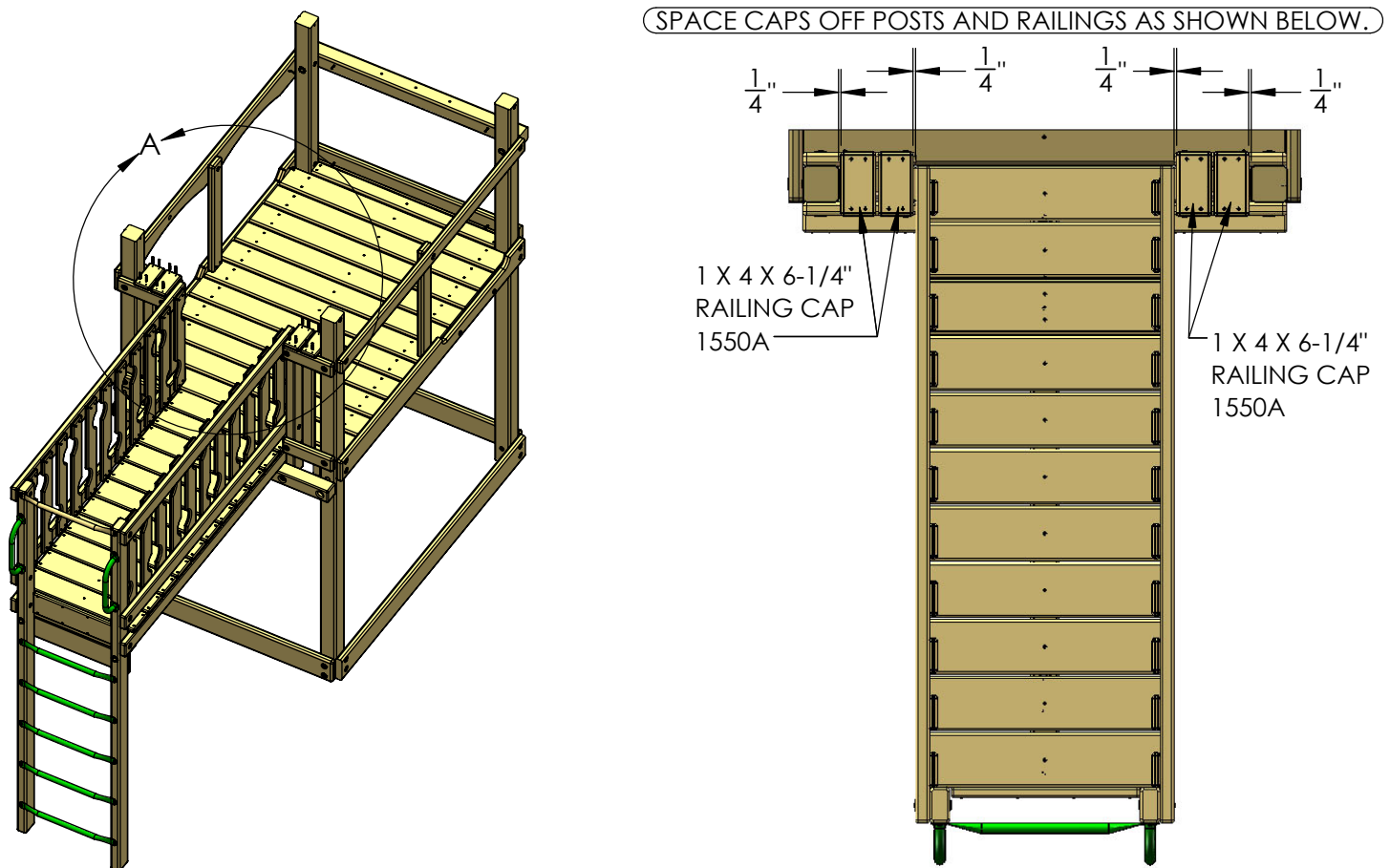
# STEP 35: RAILING CAPS

1: PLACE THE RAILING CAPS ON TOP OF THE SLAT SUPPORTS AS SHOWN BELOW.

2: IF THE SLAT SUPPORTS OVER THE PORCH POSTS ARE ROCKING OR ARE NOT EVEN THEN LOOSEN UP THE TWO BOLTS SLIGHTLY THAT CONNECT THE SLAT SUPPORTS. THEN INSTALL THE RAILING CAPS. FINALLY RE-TIGHTEN THE TWO BOLTS THAT CONNECT THE SLAT SUPPORTS.

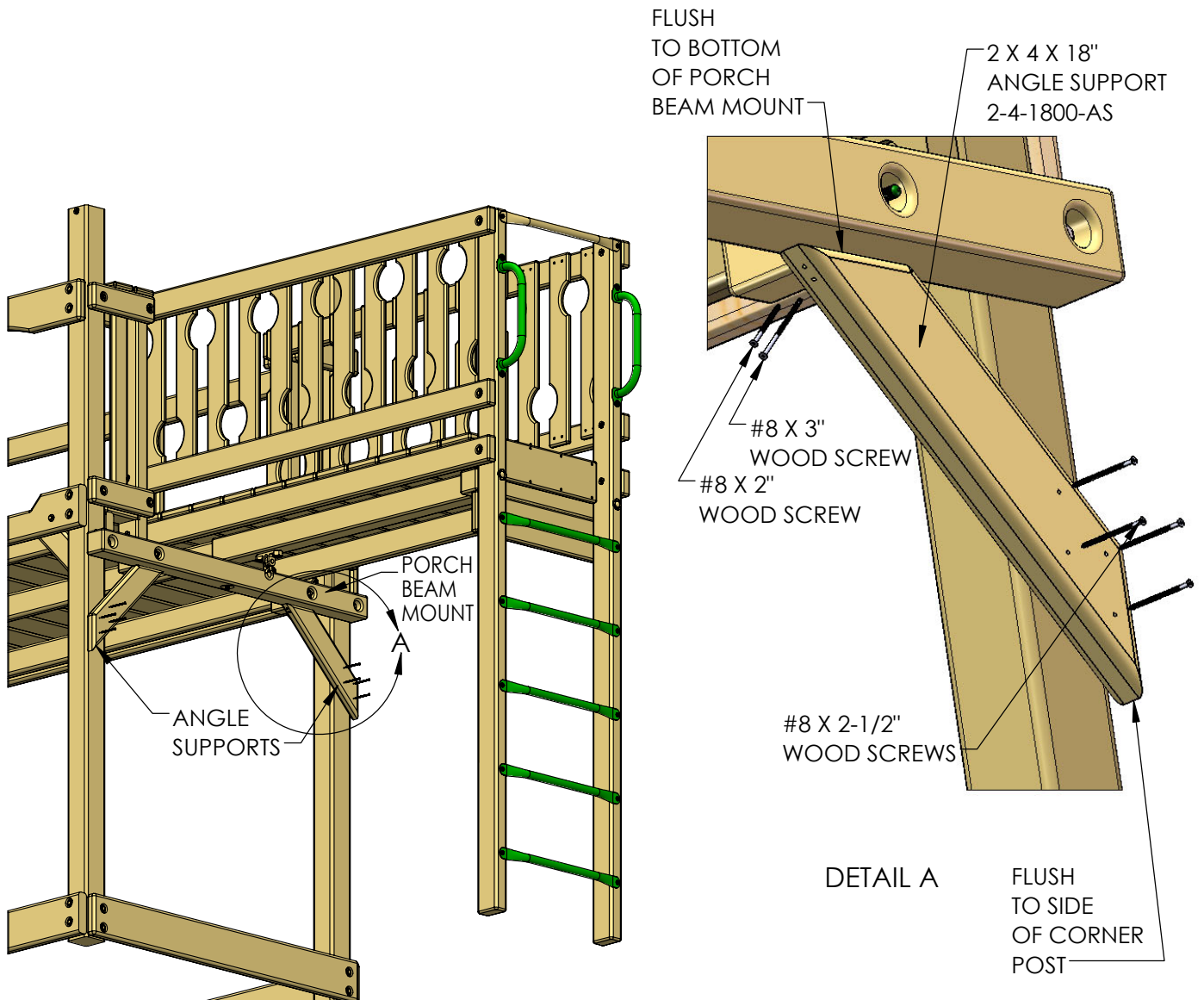
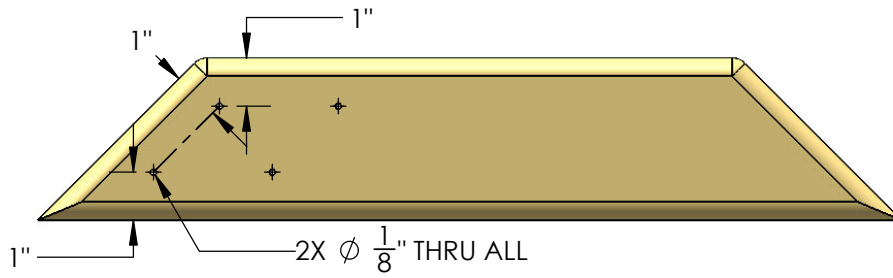


SPACE CAPS OFF POSTS AND RAILINGS AS SHOWN BELOW.



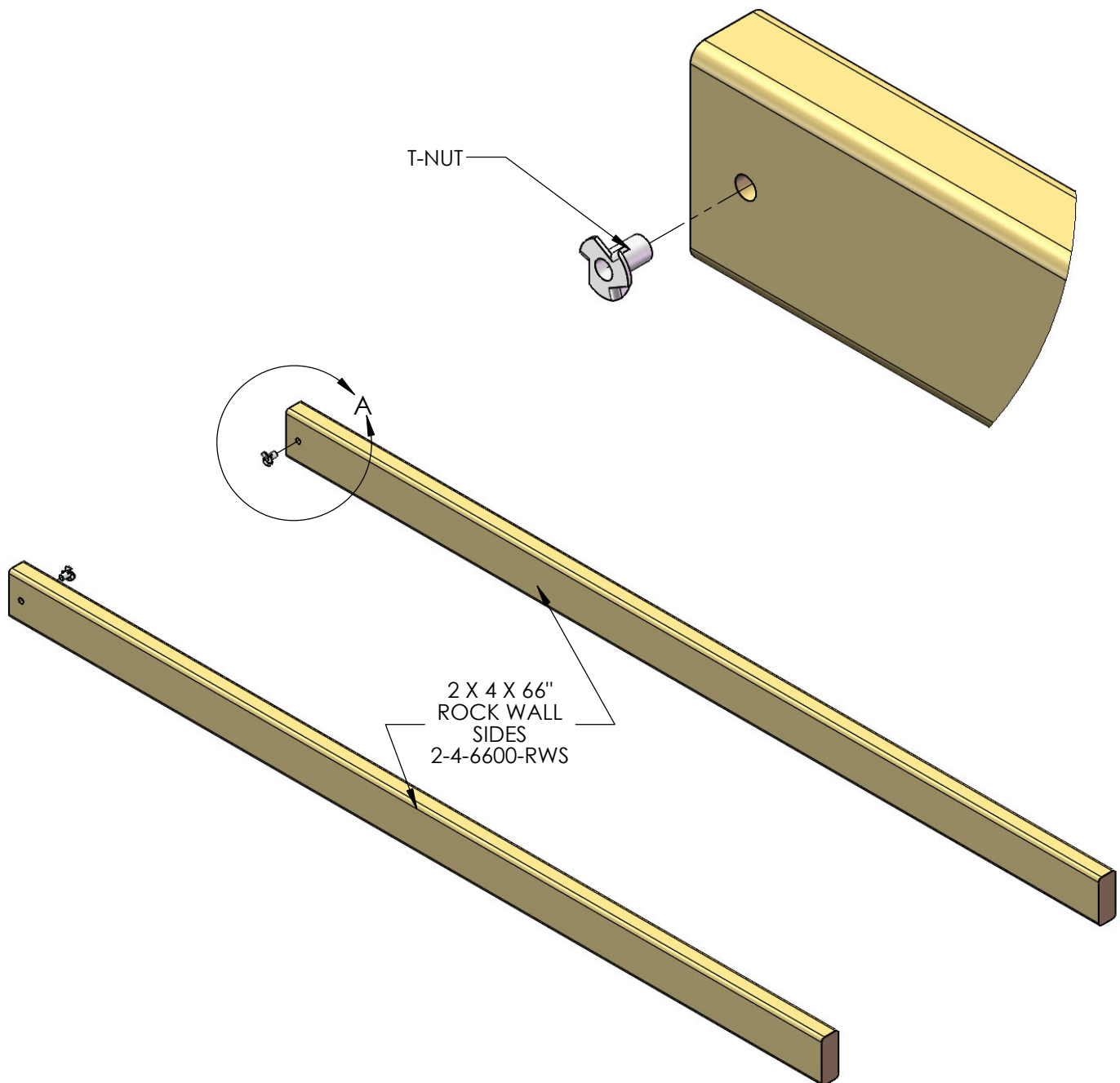
# STEP 36: ANGLE SUPPORTS

- 1: DRILL TWO 1/8" HOLES IN TWO 2 X 4 X 18" ANGLE SUPPORTS AS SHOWN BELOW.
- 2: PLACE EACH ANGLE SUPPORT UNDERNEATH THE PORCH BEAM MOUNT AND AGAINST THE CORNER POST.
- 3: AT THE BOTTOM OF EACH ANGLE SUPPORT FASTEN IT TO THE CORNER POST WITH FOUR #8 X 2-1/2" WOOD SCREWS.
- 4: AT THE TOP OF EACH ANGLE SUPPORT FASTEN IT TO THE PORCH BEAM MOUNT WITH ONE #8 X 2" AND ONE #8 X 3" WOOD SCREW.



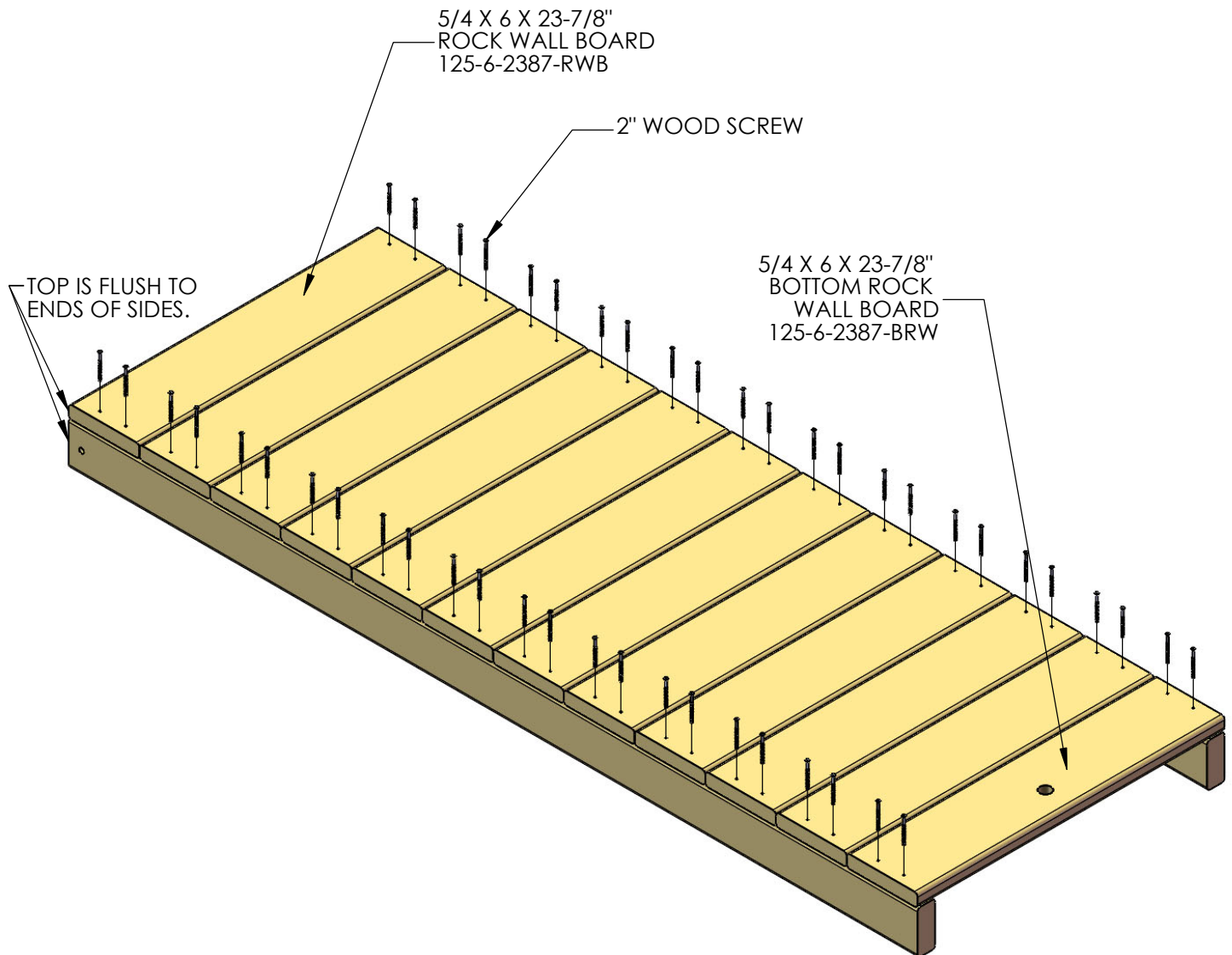
## STEP 37: ROCK WALL

- 1: FIND TWO 2 X 4 X 66" ROCK WALL SIDES.
- 2: POSITION THE ROCK WALL SIDES SO THAT THE HOLES IN THE BOARDS ARE BOTH FACING THE SAME WAY.
- 3: INSERT T-NUTS INTO THE INSIDE OF THE ROCK WALL SIDES AND SET WITH A HAMMER.



## STEP 38: ROCK WALL

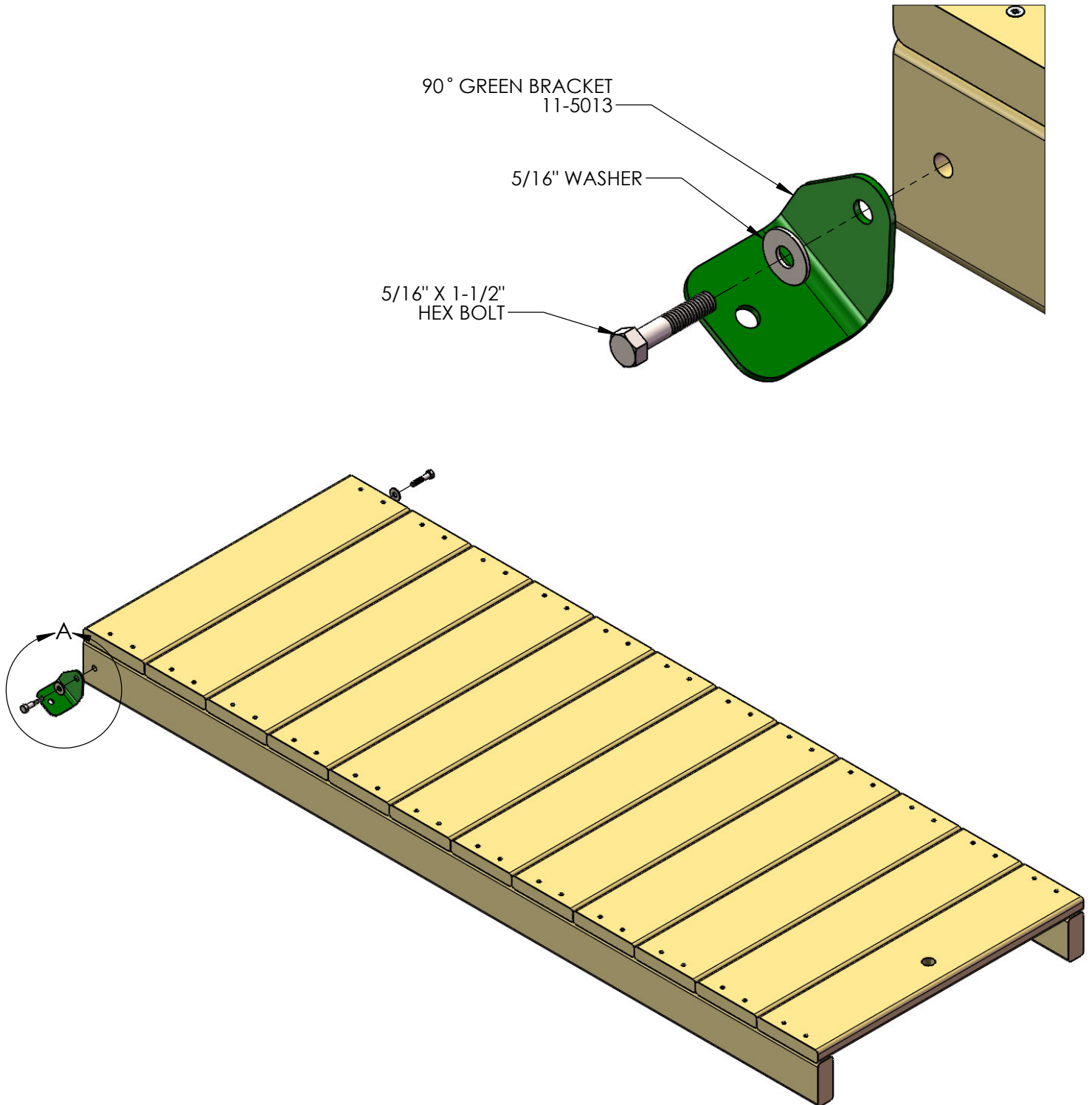
- 1: FIND ELEVEN 5/4 X 6 X 23-7/8" ROCK WALL BOARDS, AND ONE 5/4 X 6 X 23-7/8" BOTTOM ROCK WALL BOARD (1 HOLE).
- 2: STARTING FROM THE TOP, PLACE ONE ROCK WALL BOARD ON TOP OF THE ROCK WALL SIDES, FLUSH TO THE TOP OF THE ROCK WALL SIDES, AND ATTACH WITH TWO 2" WOOD SCREWS IN EACH SIDE.
- 3: CONTINUE DOWN THE ROCK WALL WITH THE REMAINING ROCK WALL BOARDS, FASTENING EACH BOARD WITH TWO 2" WOOD SCREWS ON EACH END.
- 4: THE FINAL BOARD WILL BE THE BOTTOM ROCK WALL BOARD WITH ONE HOLE. ATTACH WITH TWO 2" WOOD SCREWS PER SIDE.
- 5: IN SOME CASES, THERE WILL BE EXCESS LENGTH ON THE ROCK WALL SIDES. THIS IS DUE TO MILLING VARIATIONS, AND IS ALSO USED TO HELP LEVEL THE ROCK WALL SIDES ON UNEVEN GROUND.
- 6: ROCK WALL SIDES MAY NOT BE EVEN WITH THE BOTTOM ROCK WALL BOARD DUE TO MILLING VARIATIONS AND WOOD SHRINKAGE.



## STEP 39: ROCK WALL

1: FASTEN THE 90° GREEN BRACKET TO THE ROCK WALL SIDES WITH 5/16" X 1-1/2" HEX BOLTS AND 5/16" WASHERS.

2: DO NOT FULLY TIGHTEN THE HEX BOLTS INTO THE T-NUTS AT THIS TIME.

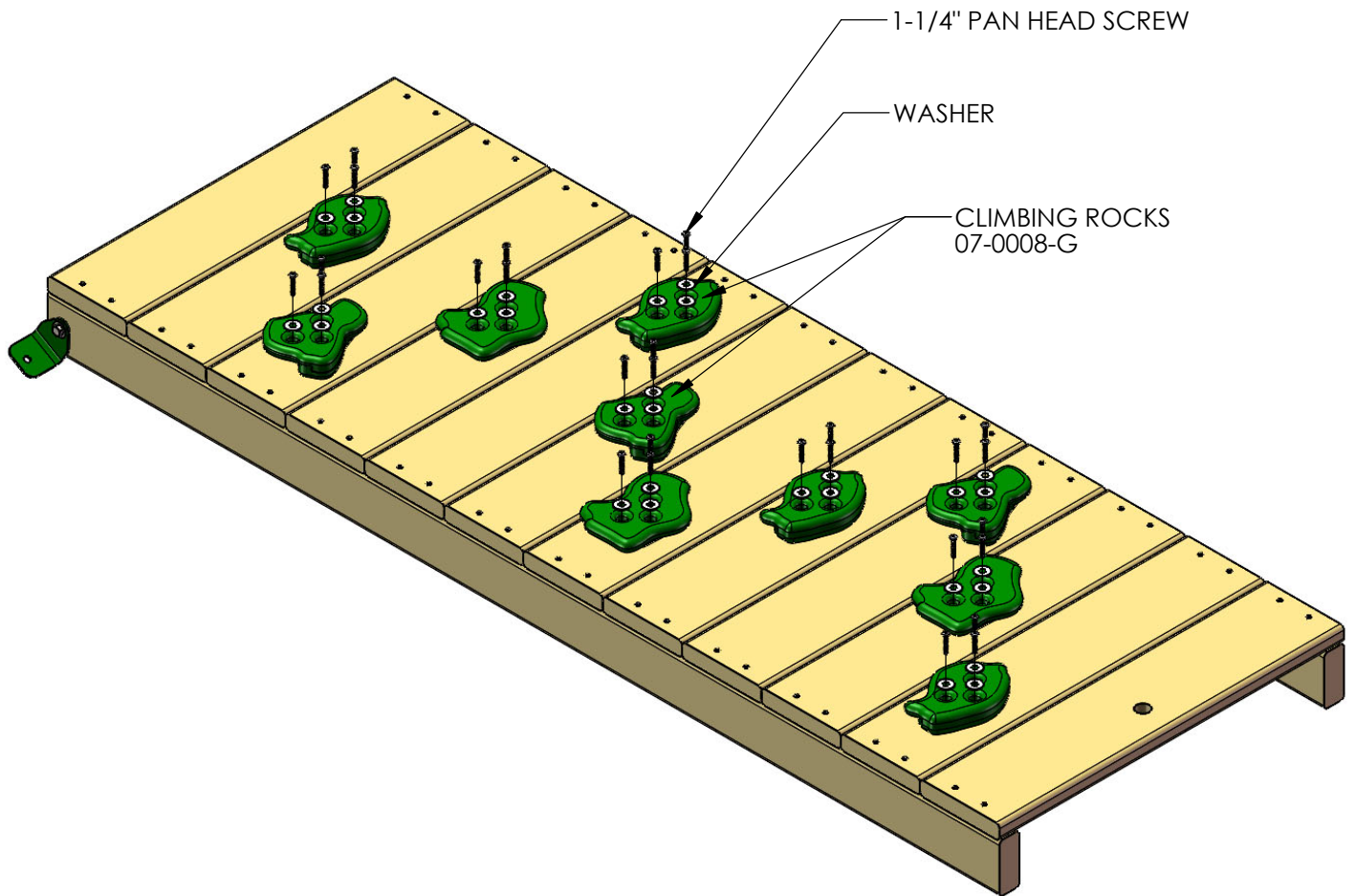


## STEP 40: ROCK WALL

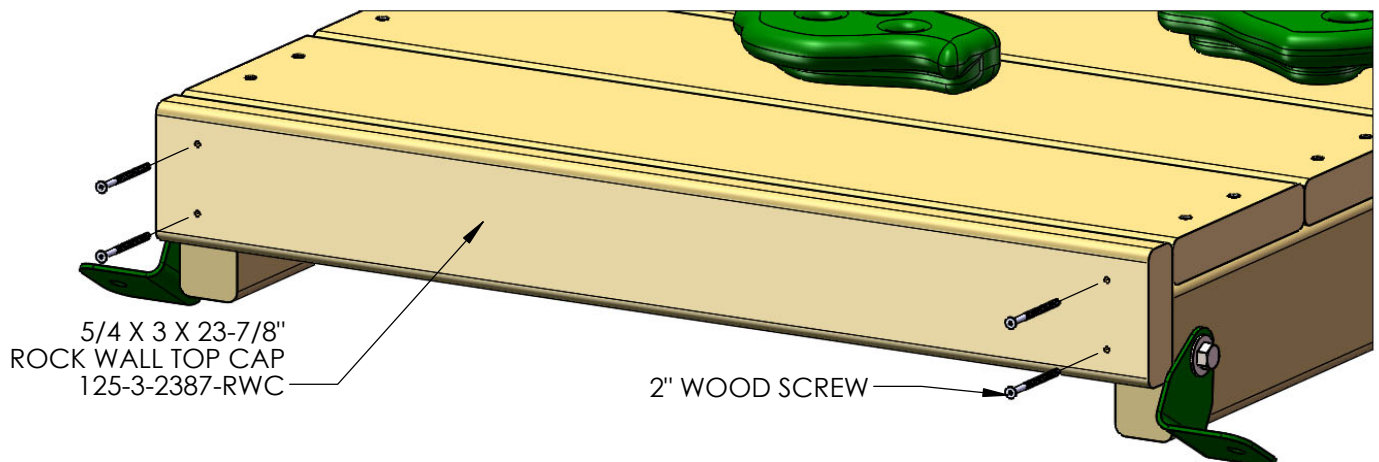
1: FIND TEN ROCKS AND THIRTY 1-1/4" PAN HEAD SCREWS WITH WASHERS.

2: MOUNT THE ROCKS IN A STAGGERED MANNER ON THE ROCK WALL BOARDS. THREE PAN HEAD SCREWS AND WASHERS WILL SECURE EACH ROCK TO THE WALL.

NOTE: THE IMAGE SHOWN BELOW IS A GENERIC ARRANGEMENT OF ROCKS ON THE ROCK WALL. YOUR ACTUAL CONFIGURATION MAY BE DIFFERENT THAT WHAT YOU SEE BELOW. ROCKS CAN BE ARRANGED IN ANY PATTERN AS LONG AS THEY WILL ALLOW PROPER ACCESS TO THE FORT. BE CREATIVE!



3: PLACE THE 5/4 X 3 X 23-7/8" ROCK WALL TOP CAP ON TOP OF THE ROCK WALL SIDES. FASTEN THE ROCK WALL TOP CAP TO THE ROCK WALL SIDES WITH 2" WOOD SCREWS.



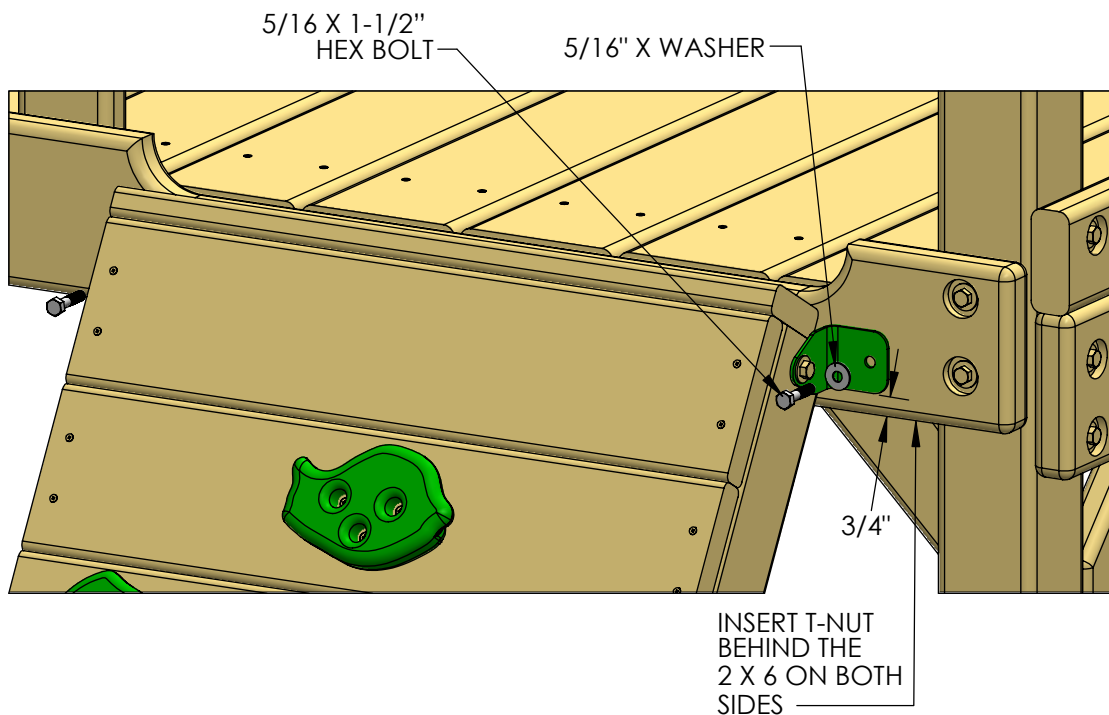
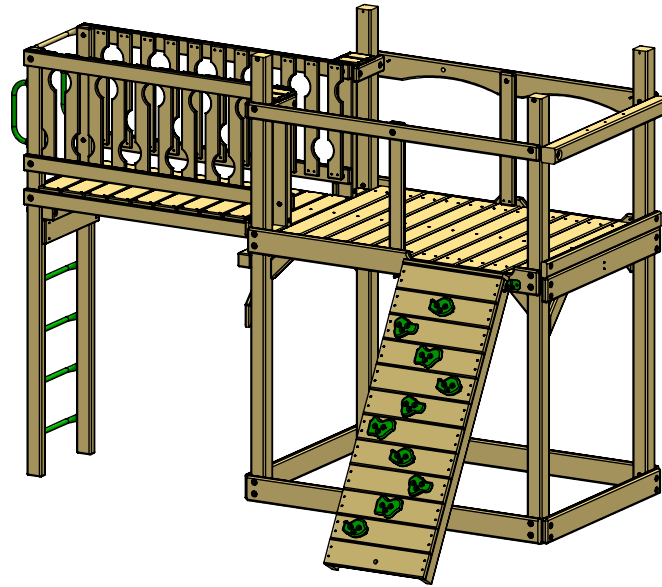
## STEP 41: ATTACHING THE ROCK WALL

1: PLACE THE ROCK WALL INTO POSITION ON THE FORT AS SHOWN BELOW. USING THE 90° BRACKETS AS A TEMPLATE; DRILL A 3/8" HOLE THROUGH THE FRONT FACE BOARD. THE BOTTOM OF THE GREEN BRACKETS SHOULD BE APPROXIMATELY 3/4" FROM THE BOTTOM OF THE FRONT FACE BOARD.

2: FROM THE UNDERSIDE OF THE DECK INSERT A T-NUT INTO THE BACKSIDE OF THE 3/8" HOLES IN THE FRONT FACE BOARD.

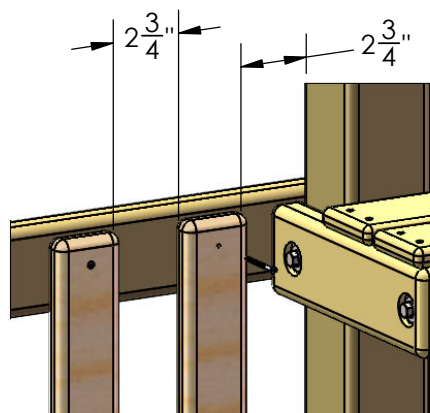
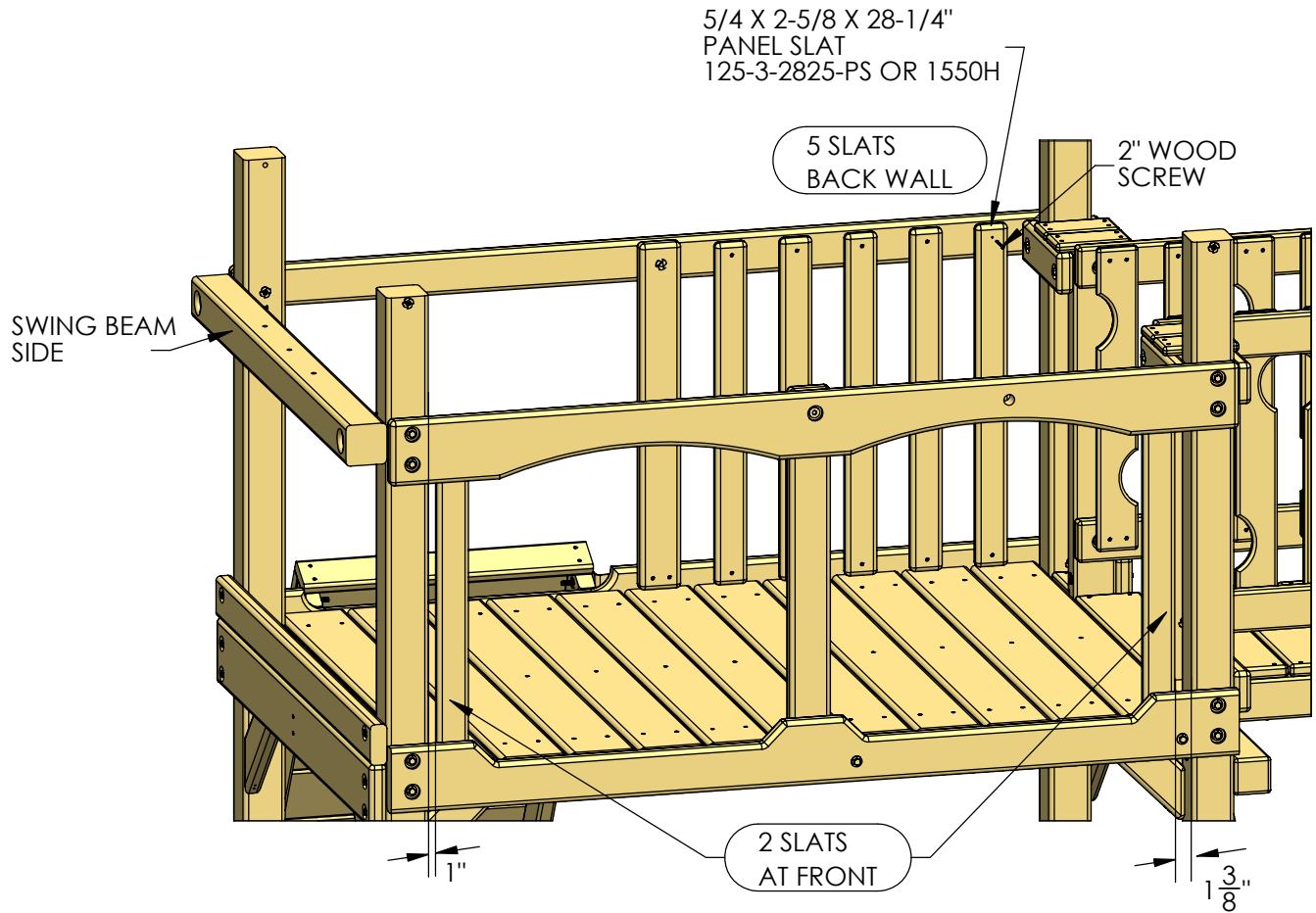
3: ATTACH THE ROCK WALL WITH 5/16 X 1-1/2" BOLTS AND 5/16" WASHERS.

4: WHEN THE BRACKETS ARE SECURE, AND THE ROCK WALL IS IN ITS FINAL POSITION; TIGHTEN THE 5/16 X 1-1/2" BOLTS ON THE ROCK WALL SIDES.



## STEP 42: PANEL SLATS

- 1: FIND SEVEN 5/4 X 2-5/8 X 28-1/4" PANEL SLATS.
- 2: INSTALL THE PANEL SLATS WITH SPACING SHOWN BELOW.
- 3: ATTACH THE PANEL SLATS WITH 2" WOOD SCREWS IN THE PRE-DRILLED HOLES.



BACK WALL  
PANEL SLAT DIMENSIONS

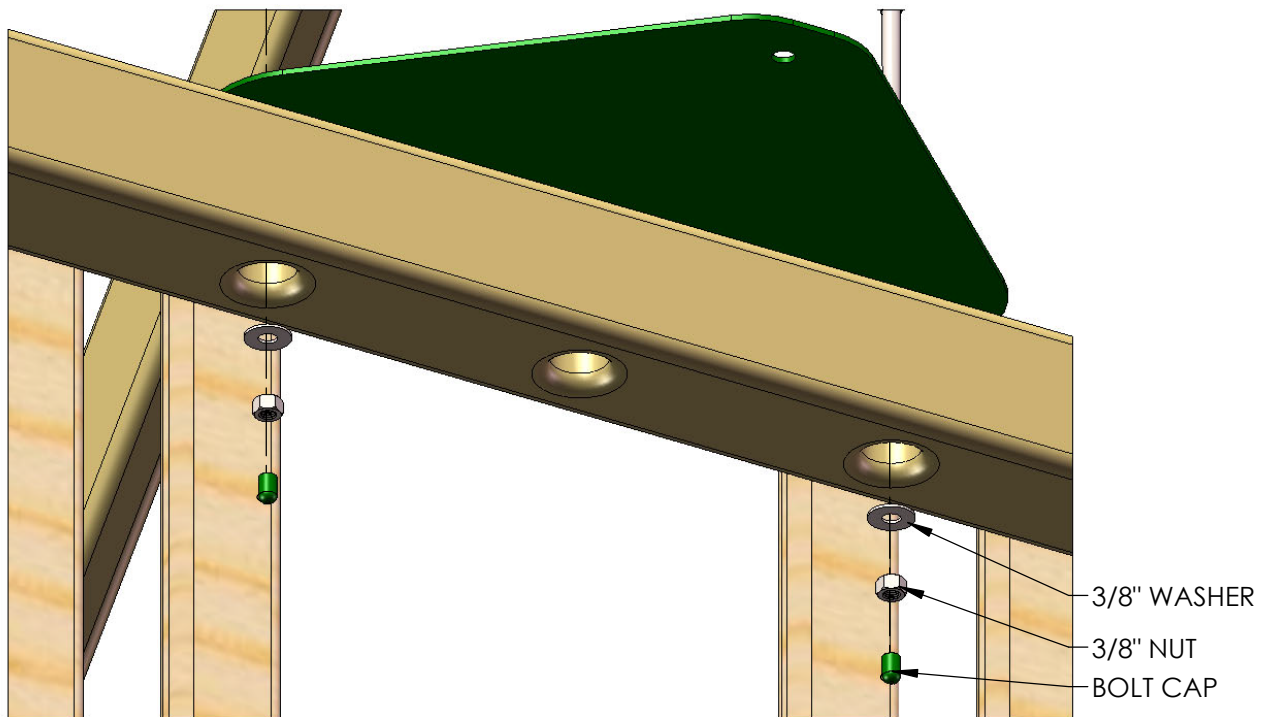
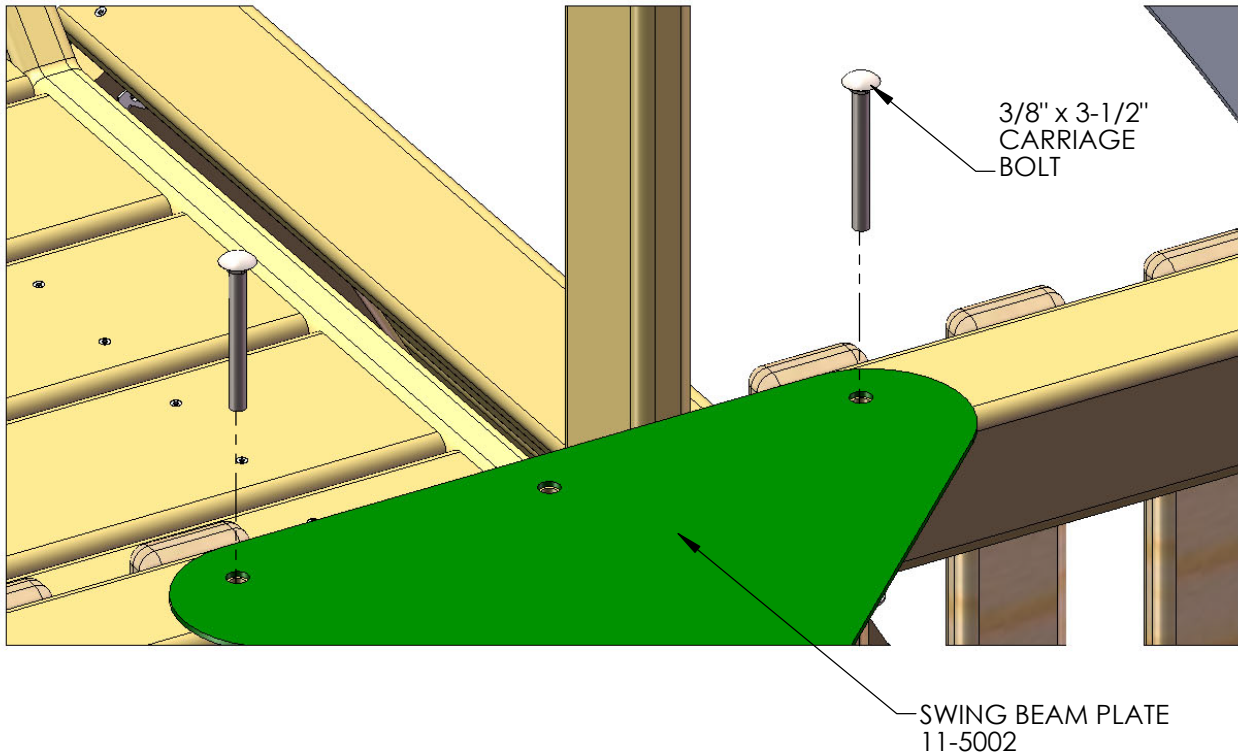
## STEP 43: SWING BEAM PLATE

1: PLACE THE SWING BEAM PLATE ON TOP OF THE SWING BEAM SUPPORT, LINING UP THE PILOT HOLES.

2: FASTEN THE SWING BEAM PLATE TO THE SWING BEAM SUPPORT USING 3-1/2" CARRIAGE BOLTS ON TOP, AND 3/8" LOCK NUTS WITH 3/8" WASHERS FROM UNDERNEATH, IN THE COUNTER-SUNK HOLES OF THE SWING BEAM SUPPORT. USE BOLT CAPS TO COVER ANY EXPOSED THREADS.

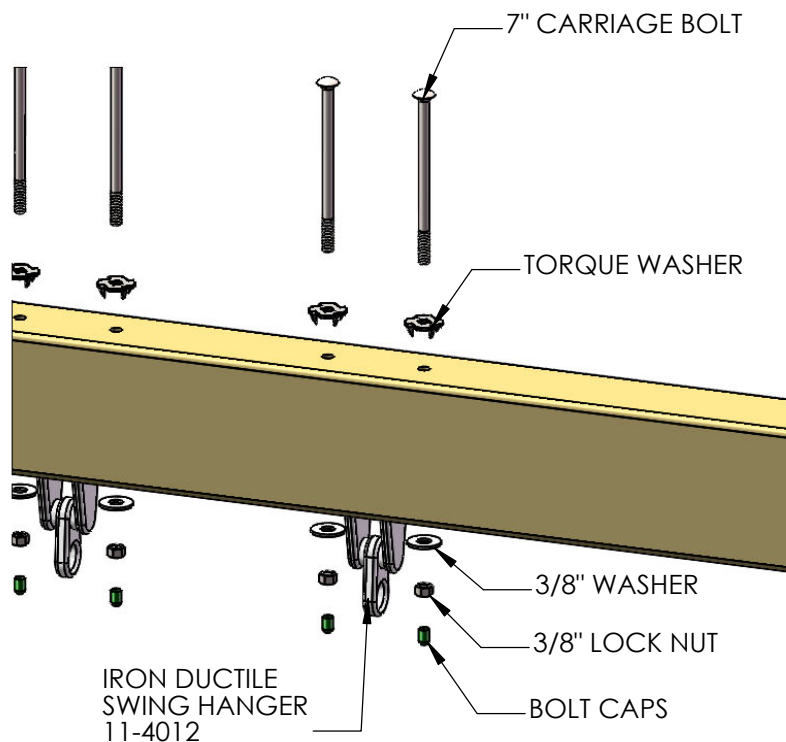
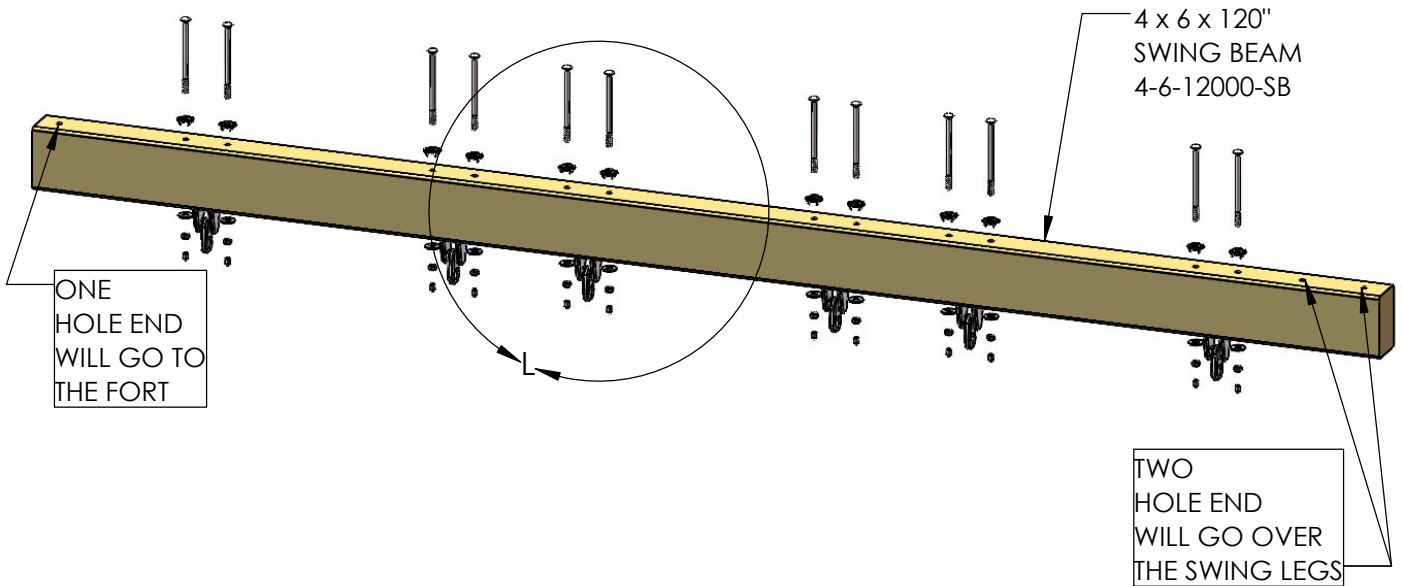
3: LEAVE THE MIDDLE HOLE EMPTY, IT WILL BE USED LATER.

4: IF NECESSARY USE LOCKING PLIERS TO HOLD CARRIAGE BOLTS IN PLACE WHEN INSTALLING.



# STEP 44: IRON DUCTILE SWING HANGERS

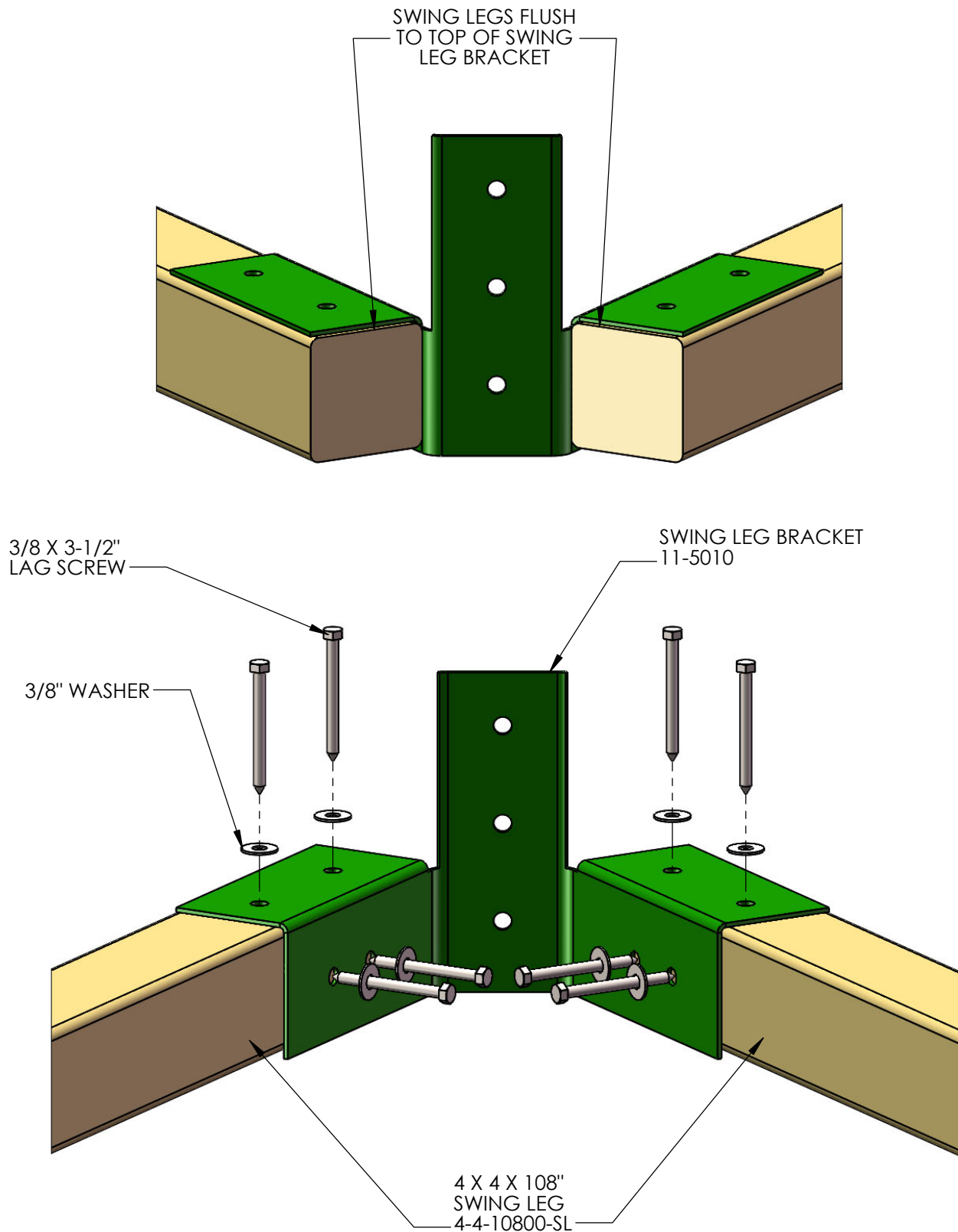
- 1: LINE UP THE HOLES OF THE IRON DUCTILE SWING HANGERS WITH THE HOLES IN THE SWING BEAM. IF YOUR BEAM IS BOWED SLIGHTLY PLACE THE BOW SIDE UP; THE SWING HANGERS WILL BE ON THE BOTTOM.
- 2: FASTEN EACH SWING HANGER TO THE SWING BEAM USING 7" CARRIAGE BOLTS WITH TORQUE WASHERS, AND 3/8" WASHERS WITH 3/8" LOCK NUTS.
- 3: PLACE BOLT CAPS OVER EXPOSED THREADS.



## STEP 45: ATTACH SWING LEGS TO BRACKET

1: PLACE THE 4 X 4 X 108" SWING LEGS FLUSH TO THE TOP OF THE SWING LEG BRACKET.

2: FASTEN THE SWING LEGS TO THE SWING LEG BRACKET WITH 3/8 X 3-1/2" LAG SCREWS AND 3/8" WASHERS.

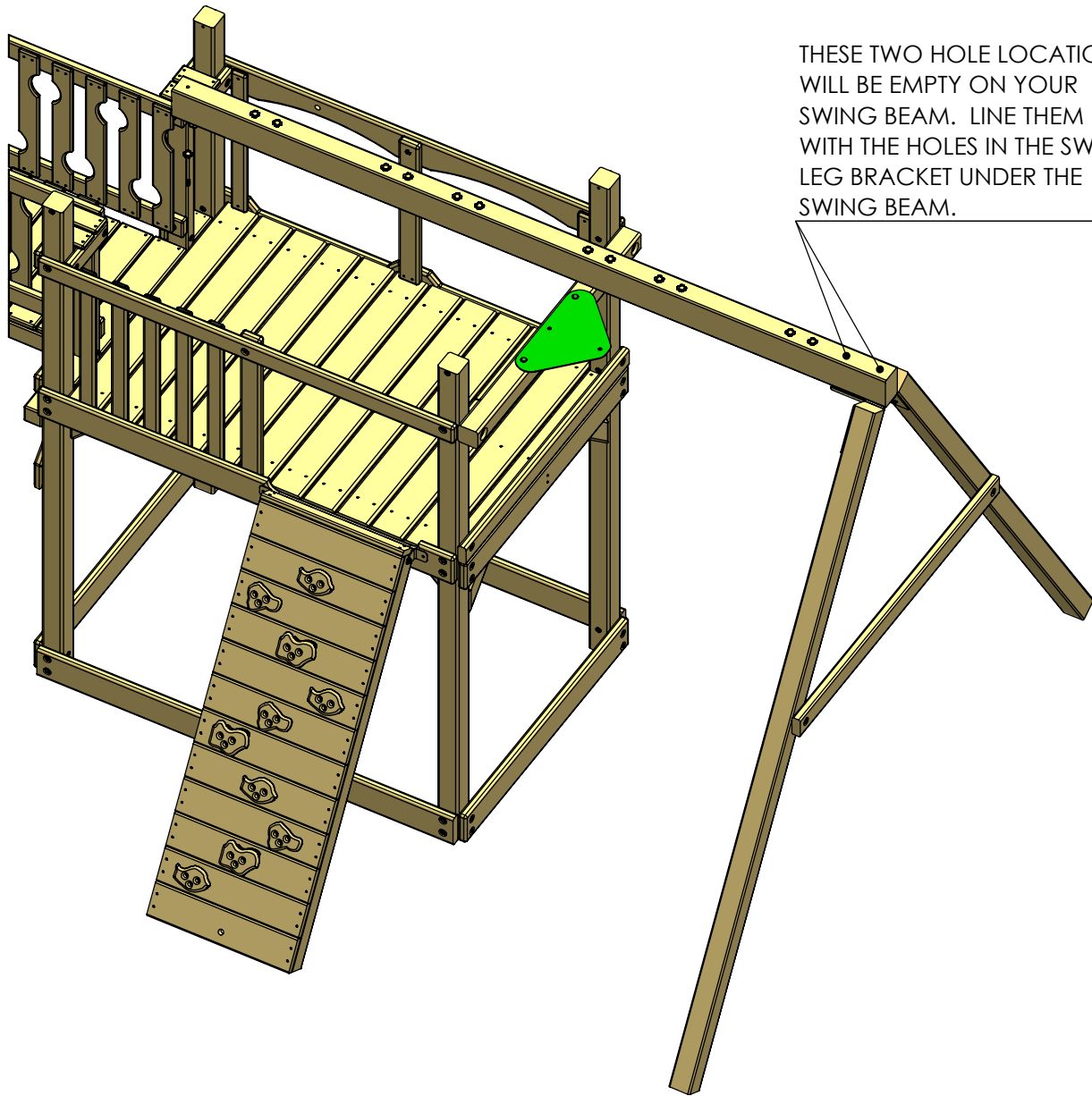


## STEP 46: REST SWING BEAM ON FORT

AN EXTRA PERSON IS NEEDED FOR THIS STEP.

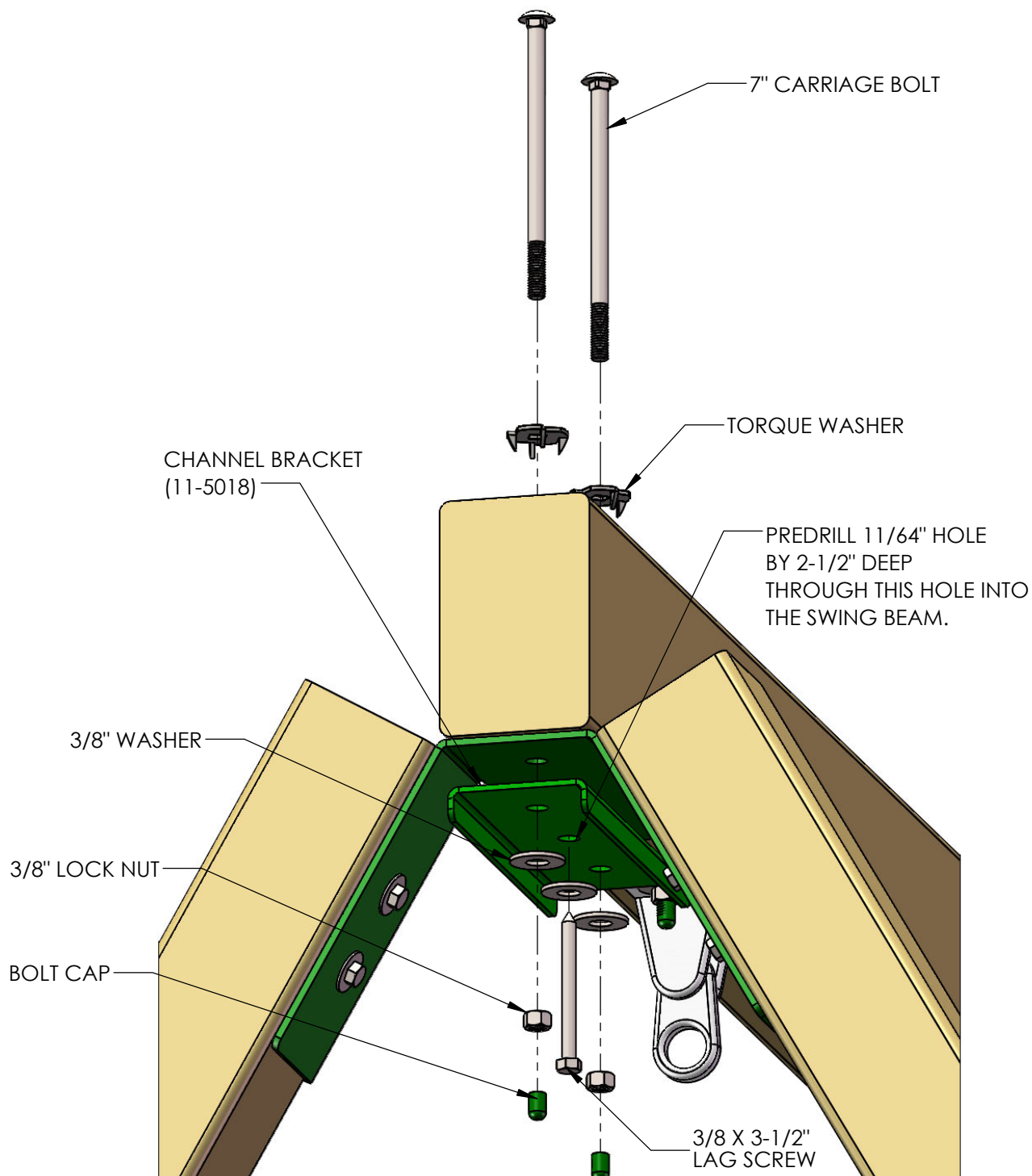
1: REST THE SWING BEAM ON TOP OF THE FORT RAILINGS. THE END OF THE SWING BEAM WITH TWO EMPTY HOLES SHOULD OVERHANG THE SIDE OF THE FORT WITH THE TRIANGULAR SWING BEAM PLATE.

2: SIT THE SWING BEAM LEGS UPRIGHT UNDER THE TWO EMPTY HOLES IN THE END OF THE SWING BEAM.



## STEP 47: MOUNT SWING BEAM TO SWING BEAM LEGS

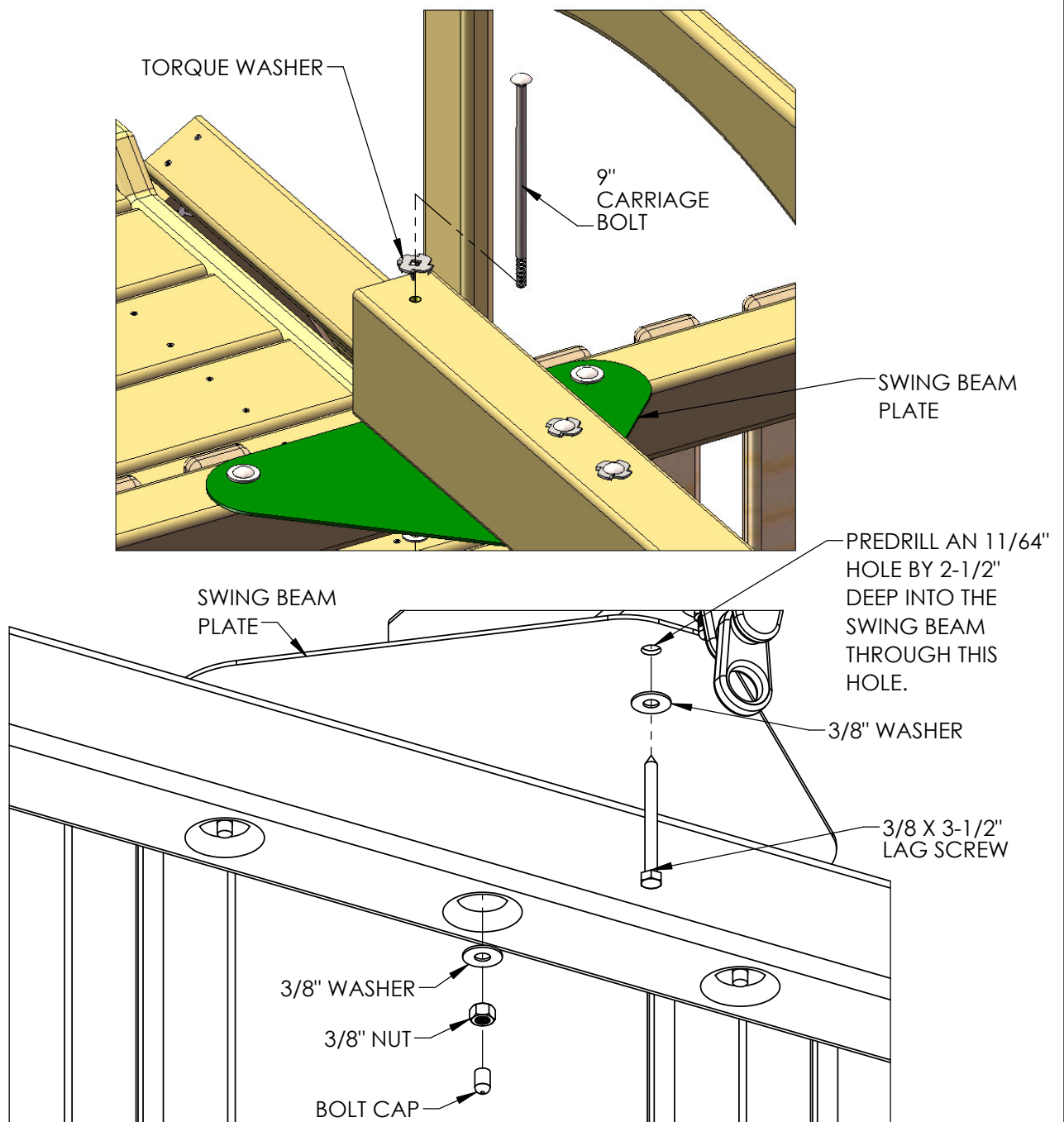
- 1: FASTEN THE SWING BEAM TO THE SWING BEAM BRACKET USING 7" CARRIAGE BOLTS WITH TORQUE WASHERS ON TOP OF THE SWING BEAM.
- 2: PLACE THE CHANNEL BRACKET UNDERNEATH THE SWING BEAM BRACKET
- 3: FASTEN THE 3/8" LOCK NUTS WITH 3/8" WASHERS ONTO THE ENDS OF THE CARRIAGE BOLTS UNDERNEATH THE CHANNEL BRACKET. PLACE A BOLT CAP OVER ANY EXPOSED THREADS.
- 4: PREDRILL AN 11/64" HOLE BY 2-1/2" DEEP IN THE CENTER CHANNEL BRACKET HOLE.
- 5: FASTEN A 3/8 X 3-1/2" LAG SCREW WITH 3/8" WASHER TO THE CHANNEL BRACKET IN THE CENTER HOLE.



## STEP 48: MOUNT SWING BEAM ON FORT

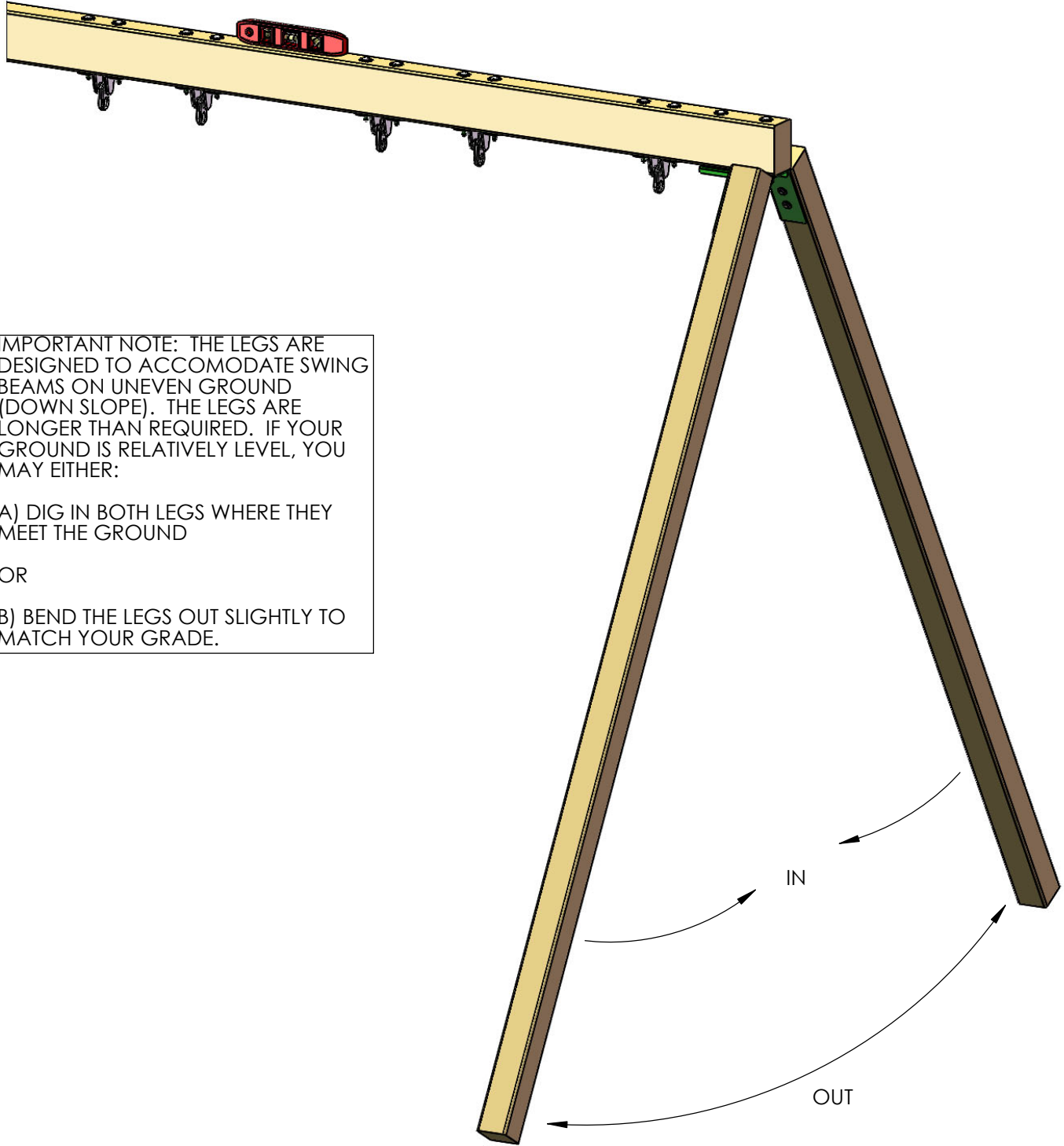
AN EXTRA PERSON IS NEEDED FOR THIS STEP.

- 1: HAVE ONE PERSON WALK THE SWING BEAM OUT TO THE END OF THE FORT FROM INSIDE THE FORT WHILE THE OTHER PERSON CARRIES IT BY THE LEGS.
- 2: LINE UP THE PILOT HOLE AT THE END OF THE SWING BEAM WITH THE MIDDLE HOLE ON THE SWING BEAM PLATE.
- 3: FASTEN THE SWING BEAM TO THE SWING BEAM PLATE AND SWING BEAM SUPPORT USING A 9" CARRIAGE BOLT WITH A TORQUE WASHER ON TOP AND A 3/8" LOCK NUT AND WASHER ON THE BOTTOM. PLACE A GREEN BOLT CAP OVER EXPOSED THREADS AFTER SECURING.
- 4: MAKE SURE THE SWING BEAM IS SQUARE TO THE SWING BEAM MOUNT.
- 5: PREDRILL AN 11/64" HOLE BY 2-1/2" DEEP INTO THE SWING BEAM THROUGH THE HOLE IN THE SWING BEAM PLATE.
- 6: FASTEN THE SWING BEAM TO THE SWING BEAM PLATE FROM UNDERNEATH WITH A 3/8 X 3-1/2" LAG SCREW AND 3/8" WASHER.



## STEP 49: LEVEL SWING BEAM

1: PLACE A LEVEL ON TOP OF THE SWING BEAM AND ADJUST THE BEAM LEGS IN OR OUT AS NEEDED TO MAKE THE SWING BEAM LEVEL.



IMPORTANT NOTE: THE LEGS ARE DESIGNED TO ACCOMODATE SWING BEAMS ON UNEVEN GROUND (DOWN SLOPE). THE LEGS ARE LONGER THAN REQUIRED. IF YOUR GROUND IS RELATIVELY LEVEL, YOU MAY EITHER:

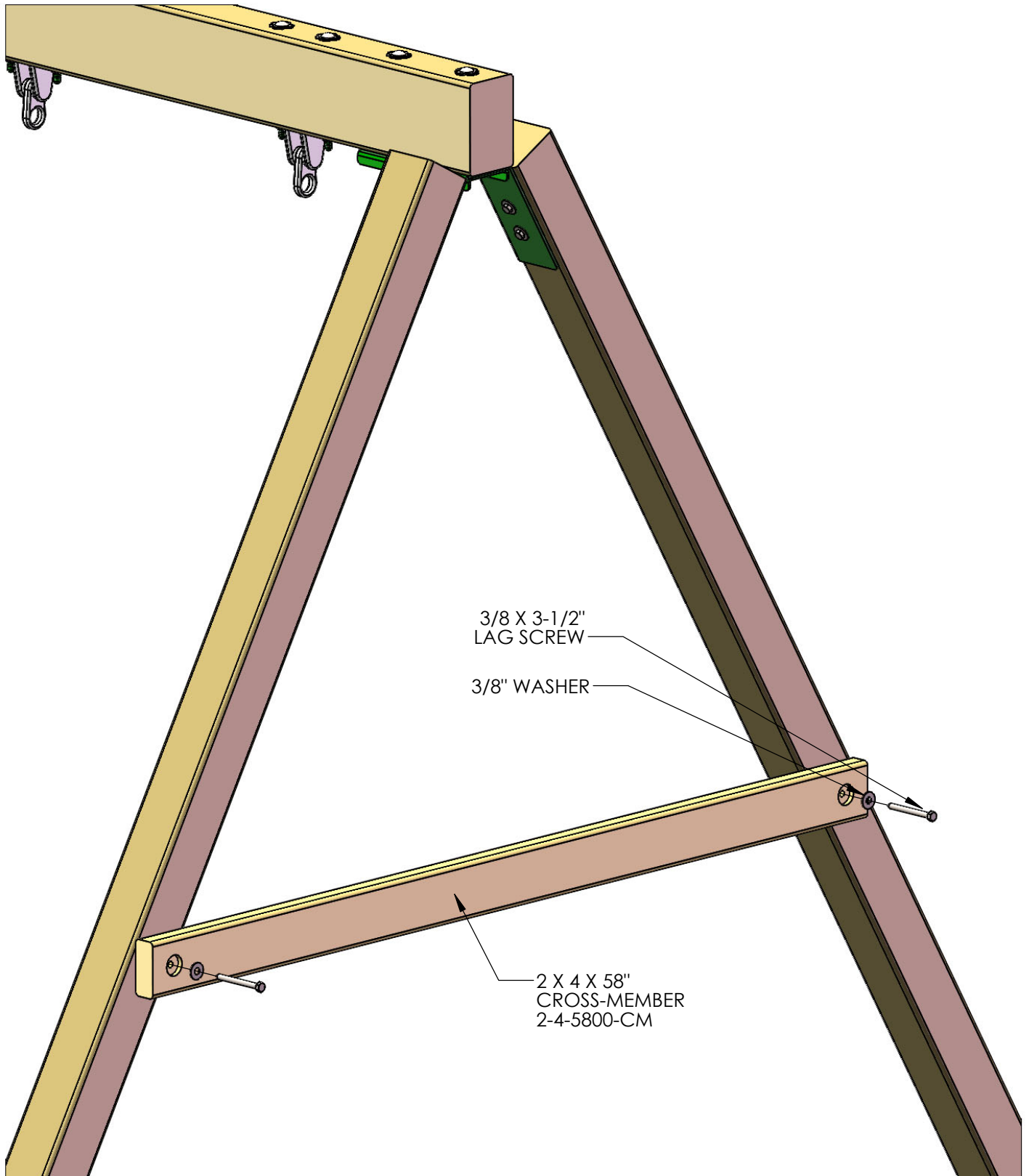
A) DIG IN BOTH LEGS WHERE THEY MEET THE GROUND

OR

B) BEND THE LEGS OUT SLIGHTLY TO MATCH YOUR GRADE.

## STEP 50: SWING LEG CROSS-MEMBER

- 1: POSITION THE 2 X 4 X 58" SWING LEG CROSS-MEMBER AGAINST THE SWING BEAM LEGS.
- 2: LEVEL CROSS-MEMBER AND MARK THE LOCATION OF THE SECURING HOLES INSIDE THE CROSS-MEMBER HOLES.
- 3: USE 3/8 X 3-1/2" LAG SCREWS WITH 3/8" WASHERS TO SECURE THE CROSS-MEMBER TO THE SWING BEAM LEGS.



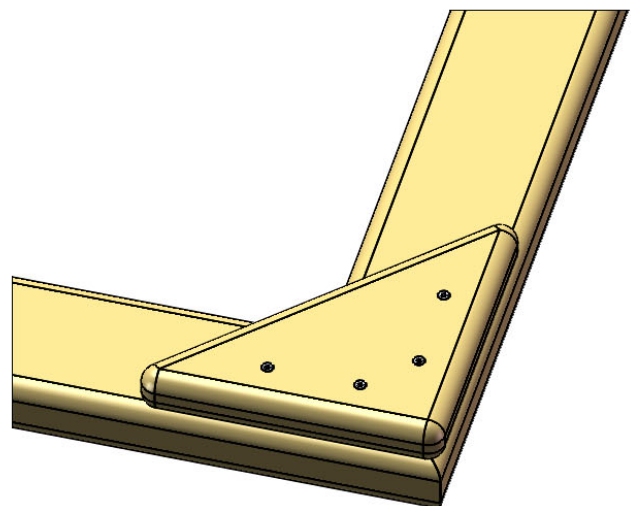
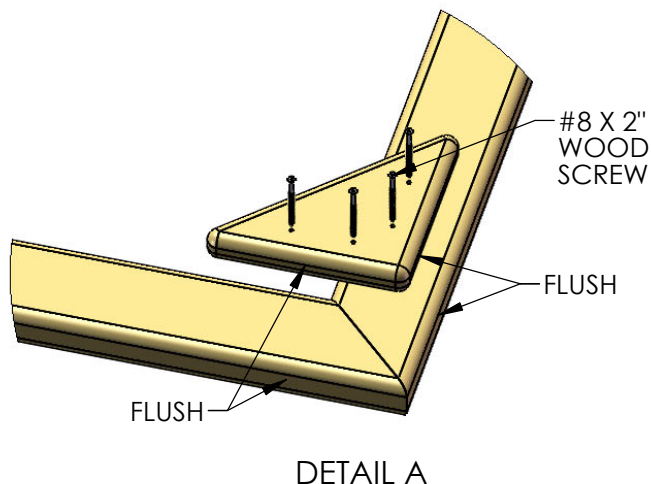
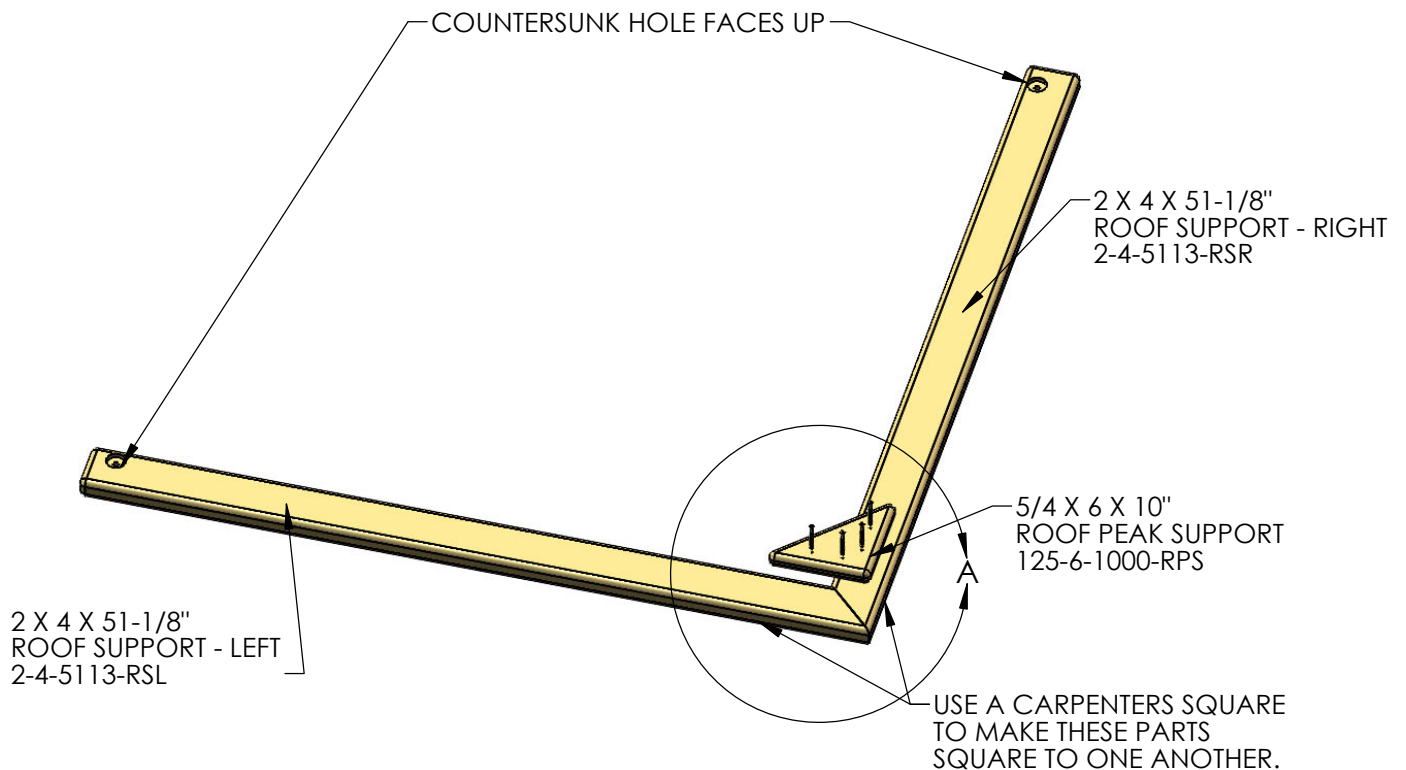
## STEP 51: ROOF SUPPORT ASSEMBLIES

1: LOCATE TWO 2 X 4 X 51-1/8" ROOF SUPPORT (LEFT), TWO 2 X 4 X 51-1/8" ROOF SUPPORT (RIGHT) AND TWO 5/4 X 6 X 10" ROOF PEAK SUPPORT PIECES.

2: FIND A FLAT SURFACE TO WORK ON. LAY THE ROOF SUPPORTS DOWN ON THE FLAT SURFACE WITH THE **COUNTERSUNK HOLES FACING UP**. ALIGN THE ANGLED ENDS OF THE ROOF SUPPORTS FLUSH WITH ONE ANOTHER. PLACE A ROOF PEAK SUPPORT ON TOP OF THE ROOF SUPPORTS AS SHOWN. THE EDGES SHOULD BE FLUSH WHERE SHOWN BELOW.

3: USE FOUR #8 X 2" WOOD SCREWS TO ATTACH THE ROOF PEAK SUPPORT TO THE ROOF SUPPORTS AS SHOWN BELOW.

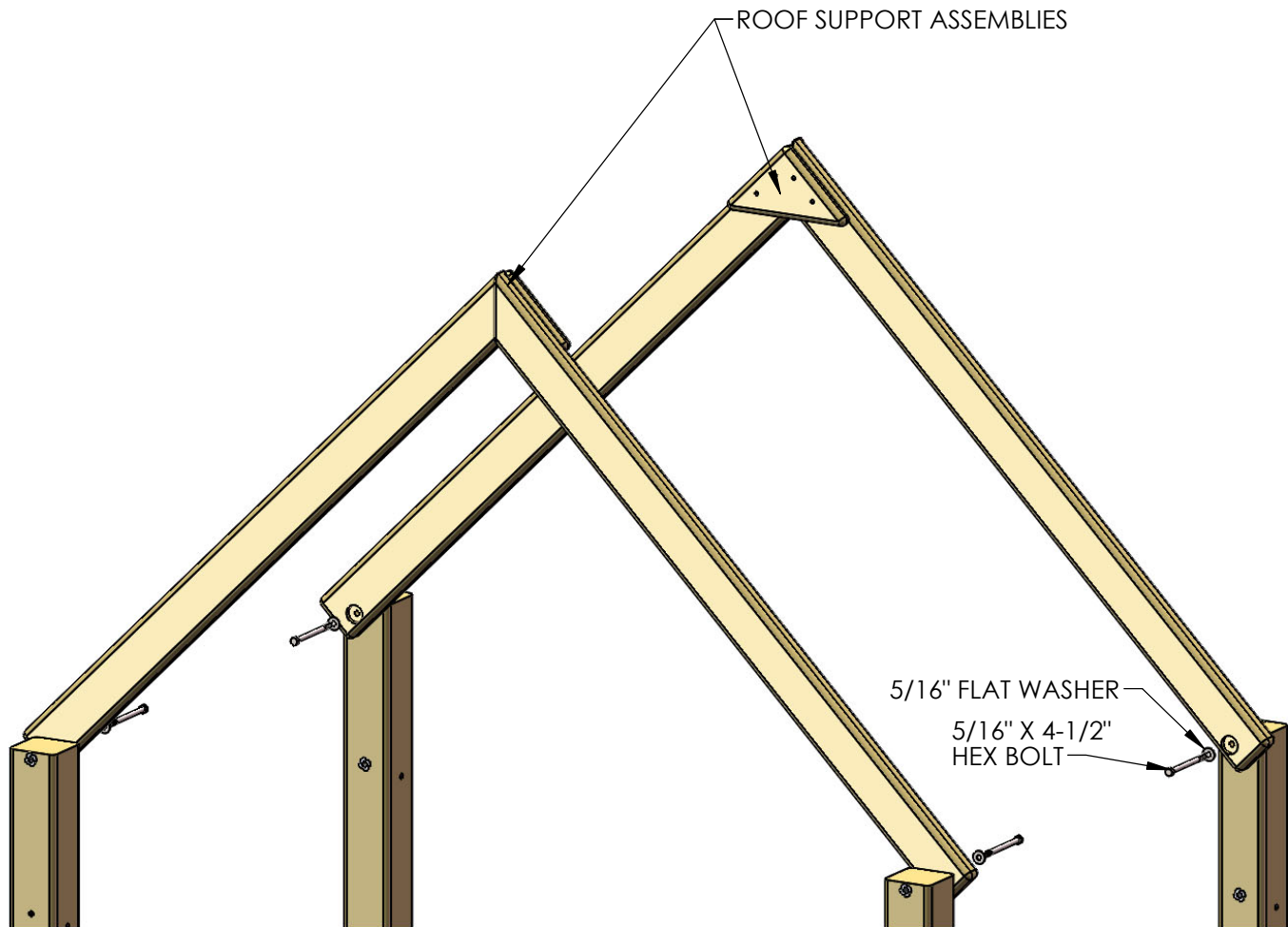
4: MAKE ONE MORE ROOF SUPPORT ASSEMBLY BY REPEATING 2 AND 3.



## STEP 52: INSTALLING ROOF SUPPORT ASSEMBLIES

1: PLACE THE ROOF SUPPORT ASSEMBLIES ON TOP OF THE DECK OF THE PLAY SET. CLIMB ONTO THE DECK TO INSTALL THE ROOF SUPPORT ASSEMBLIES.

2: ATTACH THE ROOF SUPPORT ASSEMBLIES TO THE CORNER POSTS WITH 5/16" X 4-1/2" HEX BOLTS AND 5/16" WASHERS.



## DETOUR 1

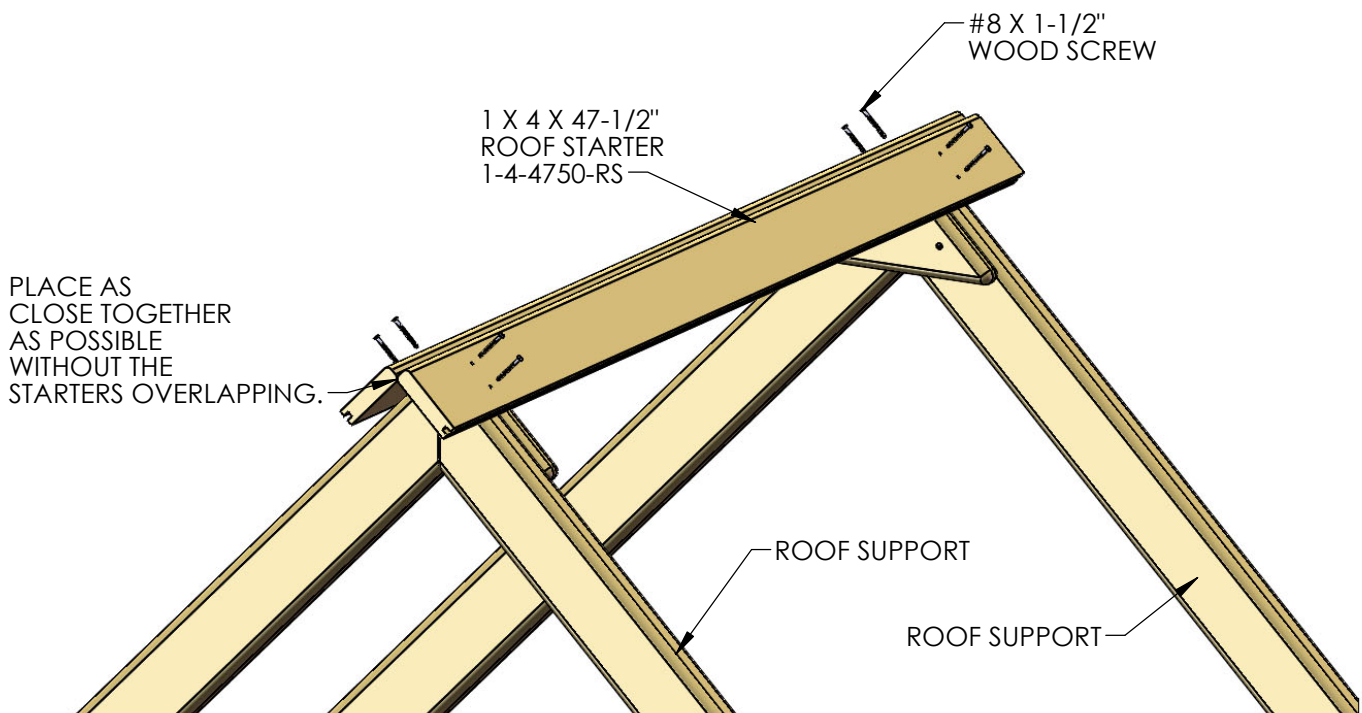
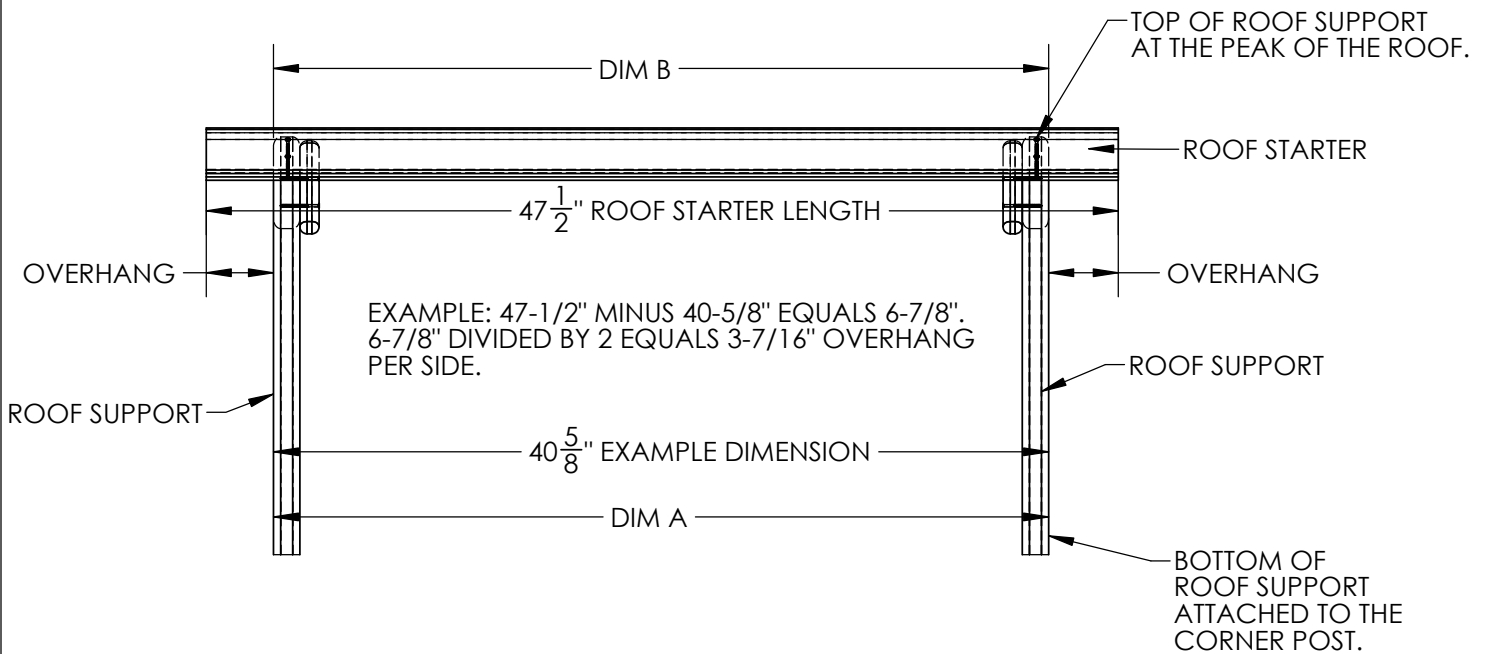
GO TO APPENDIX AND FOLLOW STEPS 1-16A OF SKYLOFT INSTRUCTIONS. YOU WILL NEED TO USE STEPS 53-58 IN THE MAIN MANUAL TO SEE HOW TO CONSTRUCT THE MAIN ROOF.

# STEP 53: ROOF STARTERS

1: PLACE THE 1 X 4 X 47-1/2" GROOVE-ONLY ROOF STARTER BOARDS AT THE PEAK OF THE ROOF. THE HOLES IN THE ROOF STARTERS SHOULD BE APPROXIMATELY CENTERED (SEE BELOW) ON THE ROOF SUPPORTS, AND THE FLAT ENDS OF THE ROOF STARTERS SHOULD BE PLACED AS CLOSE TO EACH OTHER AS POSSIBLE WITHOUT THE BOARDS OVERLAPPING.

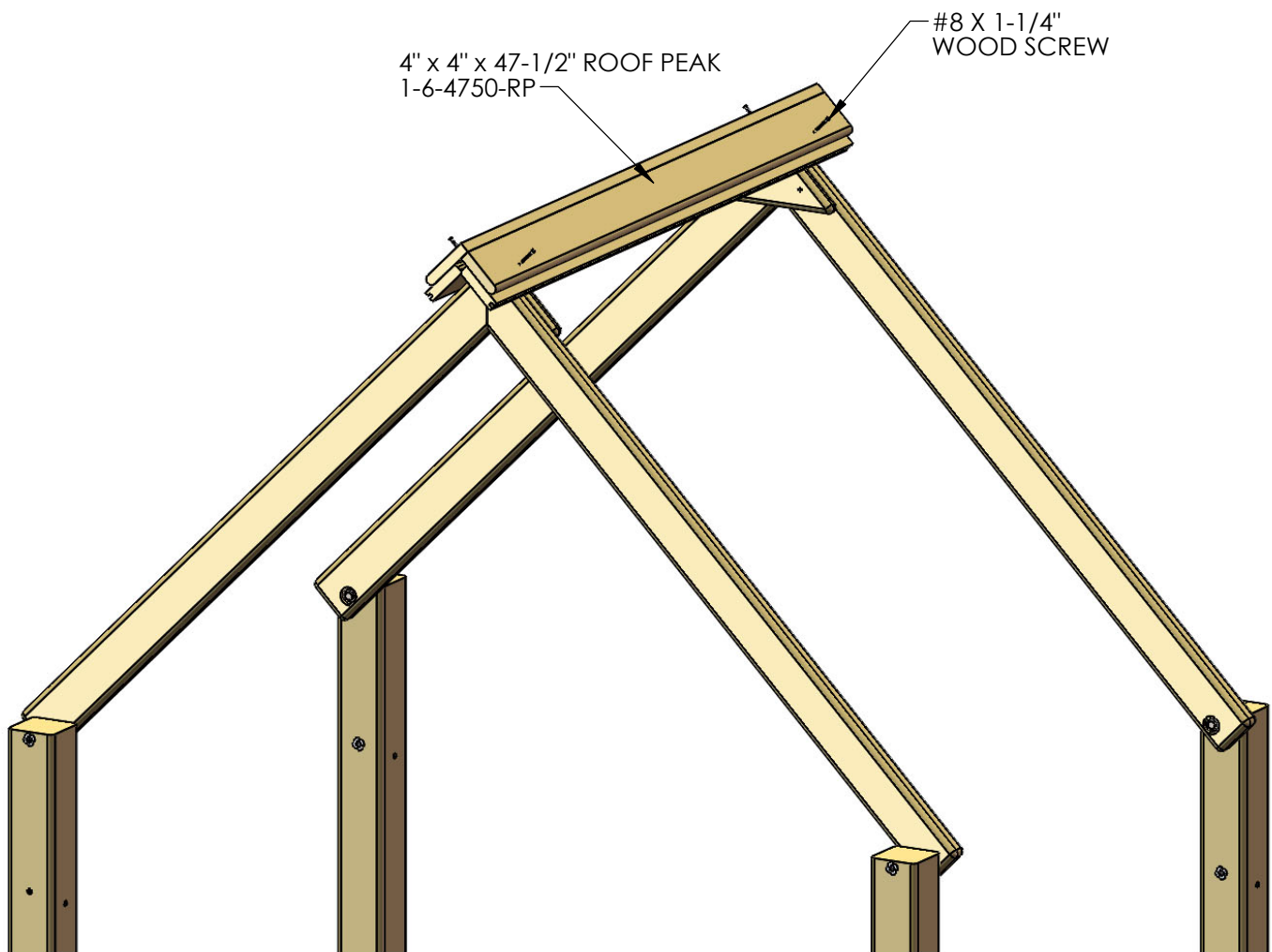
2: FASTEN THE ROOF STARTER BOARDS TO THE ROOF SUPPORTS WITH #8 X 1-1/2" WOOD SCREWS.

MEASURE DIM A ACROSS THE BOTTOM OF THE ROOF SUPPORTS NEAR THE CORNER POSTS. WHEN ATTACHING THE ROOF STARTERS DIM B AT THE ROOF PEAK SHOULD MATCH DIM A. THIS WILL MAKE THE ROOF SUPPORTS PARALLEL TO EACH OTHER. DUE TO WOOD MILLING VARIATIONS YOUR HOLES IN THE ROOF STARTERS WILL EITHER BE CENTERED ON THE ROOF SUPPORTS OR THEY WILL BE OFFSET TOWARDS THE INSIDE OF THE ROOF SUPPORTS SLIGHTLY. SUBTRACT DIM A FROM 47-1/2" AND THEN DIVIDE THIS NUMBER BY 2. THIS WILL GIVE YOU THE OVERHANG FOR EACH SIDE. USE THE OVERHANG NUMBER ON EACH SIDE TO KEEP YOUR ROOF SUPPORTS PARALLEL.



## STEP 54: ROOF PEAK

- 1: PLACE THE 47-1/2" ROOF PEAK ON TOP OF THE ROOF STARTER BOARDS.
- 2: FASTEN THE ROOF PEAK TO THE ROOF STARTER BOARDS WITH #8 X 1-1/4" WOOD SCREWS.



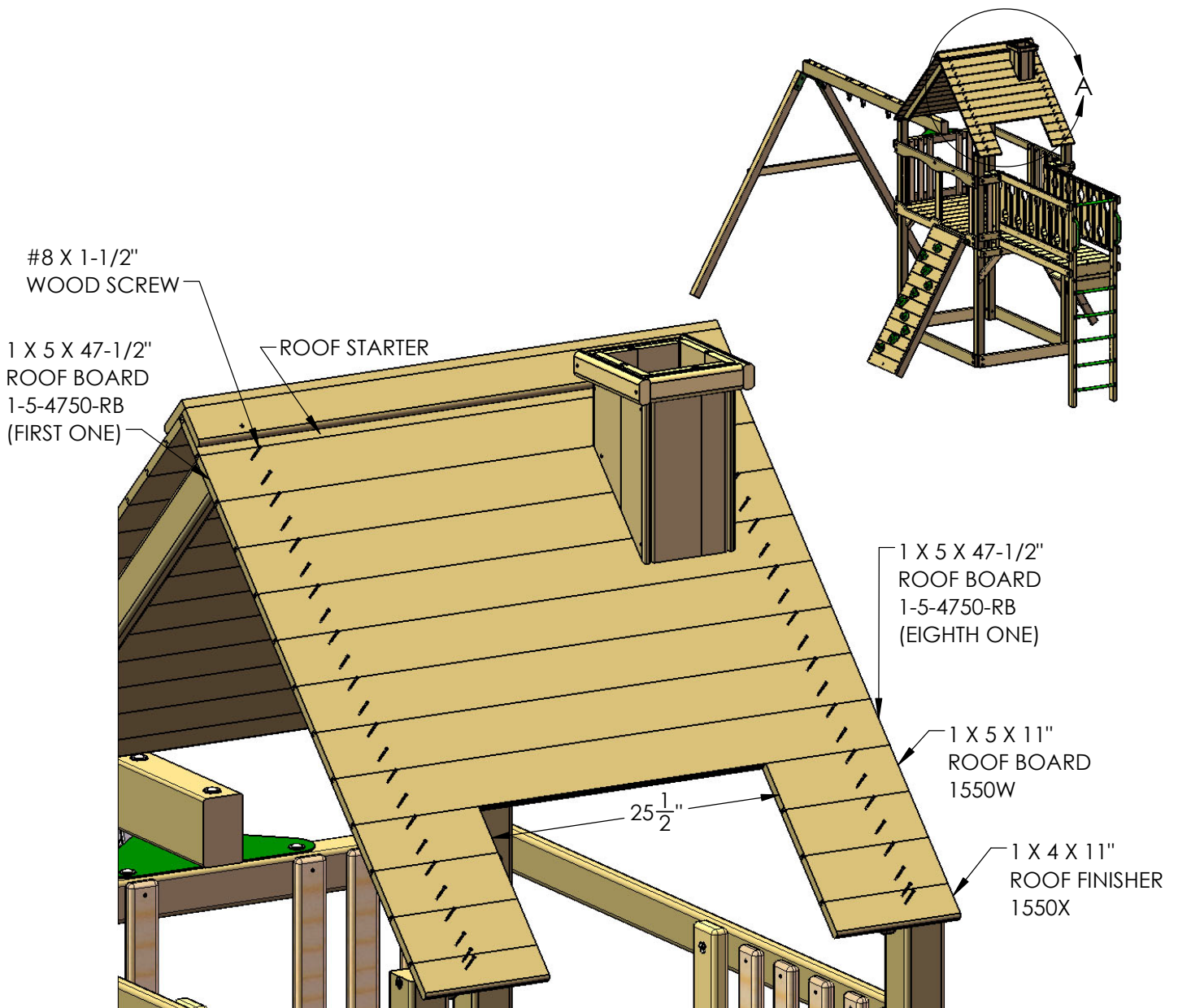
## STEP 55: ROOF - RIGHT - PORCH SIDE

1: PLACE THE FIRST 1 X 5 X 47-1/2" ROOF BOARD ON TOP OF THE ROOF SUPPORTS, FITTING THE TONGUE END INTO THE GROOVE OF THE ROOF STARTER. THIS SIDE OF THE ROOF GETS 8 OF THE 47-1/2" LONG ROOF BOARDS.

2: PLACE A 1 X 5 X 11" ROOF BOARD ON EACH SIDE, FITTING THE TONGUE END INTO THE GROOVE OF THE ROOF BOARD. THIS SIDE OF THE ROOF GETS 6 OF THE 11" ROOF BOARDS. MAINTAIN THE 25-1/2" SPACE AS SHOWN BELOW, THIS IS IMPORTANT.

3: PLACE A 1 X 4 X 11" ROOF FINISHER ON EACH SIDE, FITTING THE TONGUE END INTO THE GROOVE OF THE ROOF BOARD. THIS SIDE OF THE ROOF GETS 2 OF THE 11" ROOF FINISHERS.

TIP: INSTALL FOUR ROOF BOARDS AND THEN INSTALL THE CHIMNEY ACCORDING TO THE APPENDIX INSTRUCTIONS. THEN INSTALL THE REMAINING ROOF BOARDS AND ROOF FINISHERS.



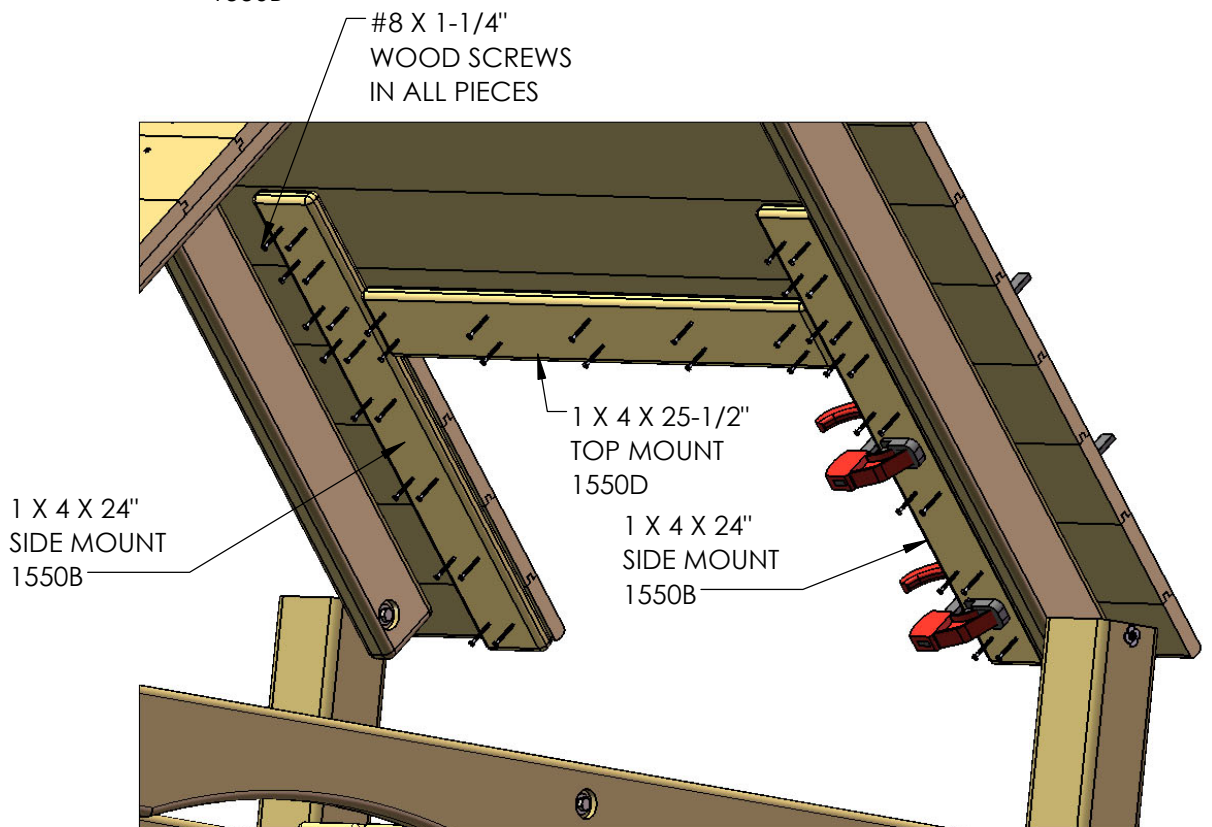
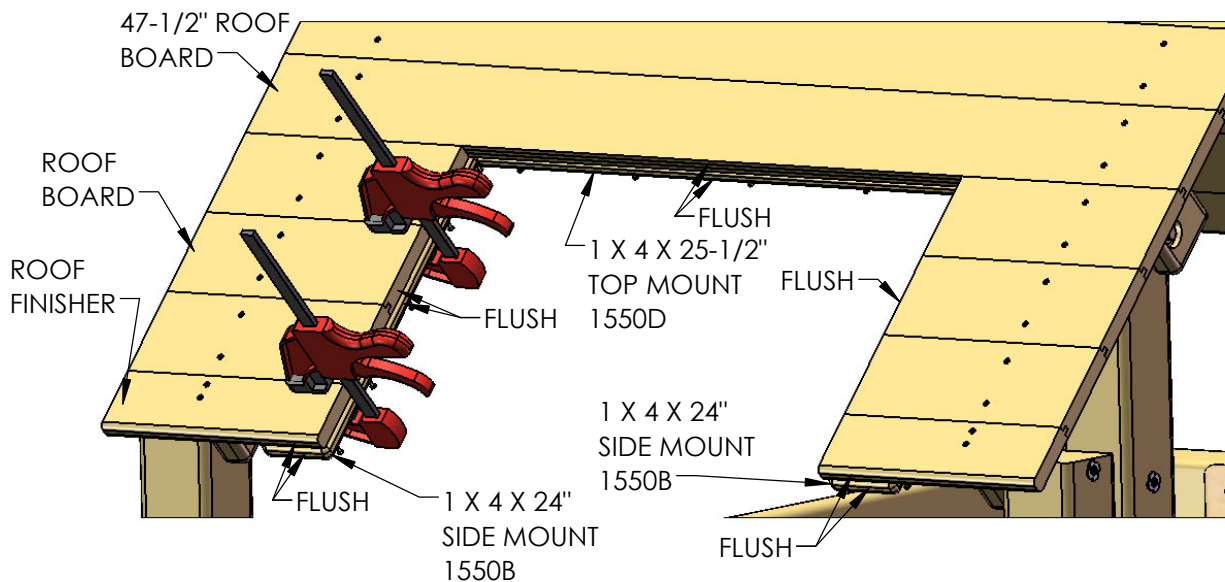
DETAIL A

## STEP 56: TOP AND SIDE MOUNTS

1: LOCATE TWO 1550B SIDE MOUNTS AND ONE 1550D TOP MOUNT. USE TWO 12" CLAMPS TO CLAMP A SIDE MOUNT TO THE BOTTOM OF THE ROOF. USE THE FLAT SIDE OF A QUICK SQUARE TO MAKE THE END OF THE SIDE MOUNT FLUSH TO THE END OF THE ROOF FINISHER. THEN USE THE QUICK SQUARE TO MAKE THE SIDE OF THE SIDE MOUNT FLUSH TO THE END OF THE SHORT ROOF BOARDS. INSTALL #8 X 1-1/4" WOOD SCREWS INTO THE SIDE MOUNT.

2: PLACE THE TOP MOUNT AGAINST THE SIDE MOUNT. USE THE SAME TWO CLAMPS TO CLAMP THE TOP MOUNT TO THE 47-1/2" ROOF BOARD. MAKE THE TOP MOUNT FLUSH TO THE BOTTOM EDGE OF THE 47-1/2" ROOF BOARD. INSTALL #8 X 1-1/4" WOOD SCREWS INTO THE TOP MOUNT.

3: REPEAT THE SAME PROCESS FOR THE OTHER 1550B SIDE MOUNT.



# STEP 57: SIDE AND TOP TRIM

READ THROUGH THE ORDER OF SUBSTEPS BELOW. FOLLOW THEM IN ORDER TO INSTALL ALL OF THE TRIM PIECES.

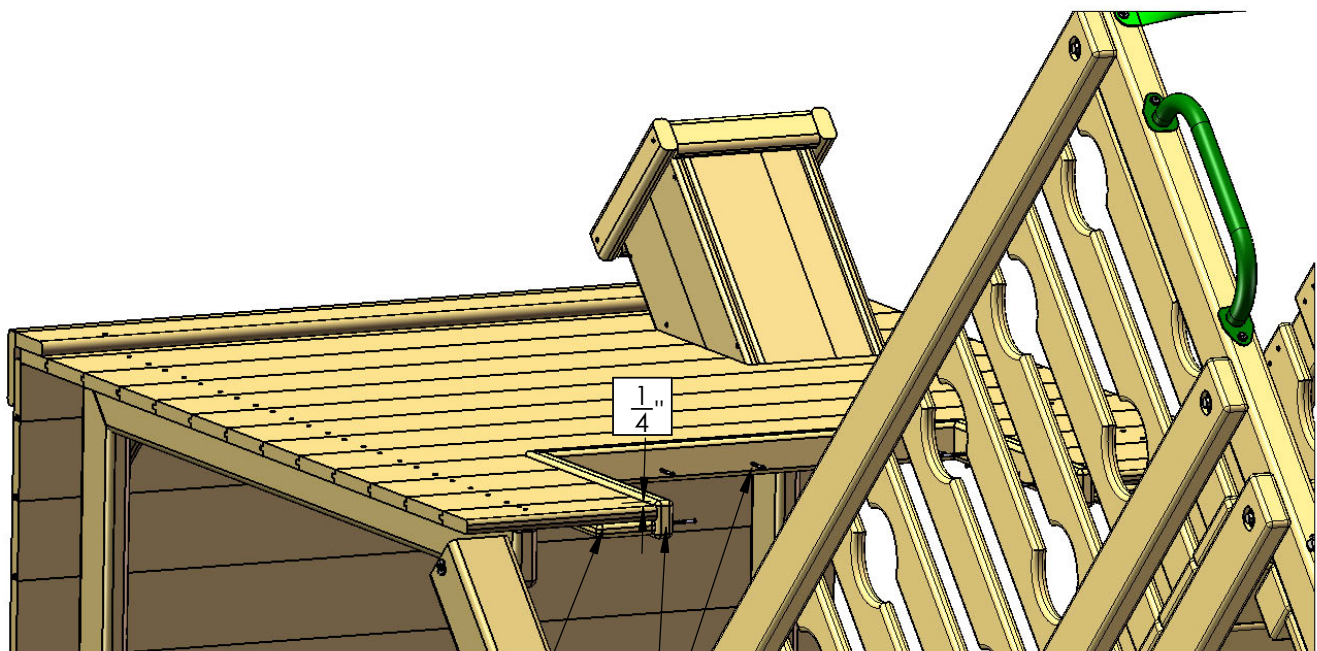
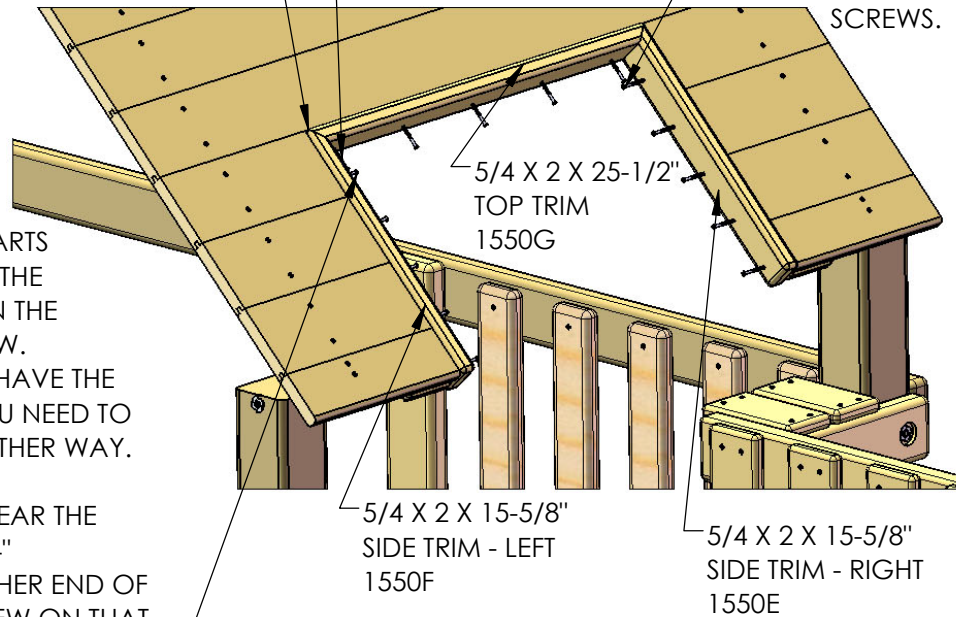
1) PUT 2 BOARDS TOGETHER SO THE MITERS ALIGN IN THIS CORNER. SPACE THEM 1/4" UP FROM THE TOP OF THE ROOF BOARDS AS SHOWN IN THE BOTTOM IMAGE BELOW.

4) INSTALL THIS SCREW. MAKE SURE OTHER END OF 1550G IS 1/4" ABOVE ROOF. INSTALL A SCREW ON THE FAR END. INSTALL REMAINING SCREWS.

5) LINE UP MITER WITH 1550E/1550G AND INSTALL THIS SCREW. MAKE SURE THE OTHER END OF 1550E IS 1/4" ABOVE THE ROOF. THEN INSTALL SCREW IN FAR END. INSTALL REMAINING SCREWS.

2) THE HOLES IN THE PARTS SHOULD BE CLOSE TO THE BOTTOM AS SHOWN IN THE BOTTOM IMAGE BELOW. IF THEY ARE NOT YOU HAVE THE WRONG PIECE OR YOU NEED TO FLIP YOUR PART THE OTHER WAY.

3) INSTALL A SCREW NEAR THE MITER. CHECK THE 1/4" DIMENSION AT THE OTHER END OF 1550F. INSTALL A SCREW ON THAT END. INSTALL REMAINING SCREWS.

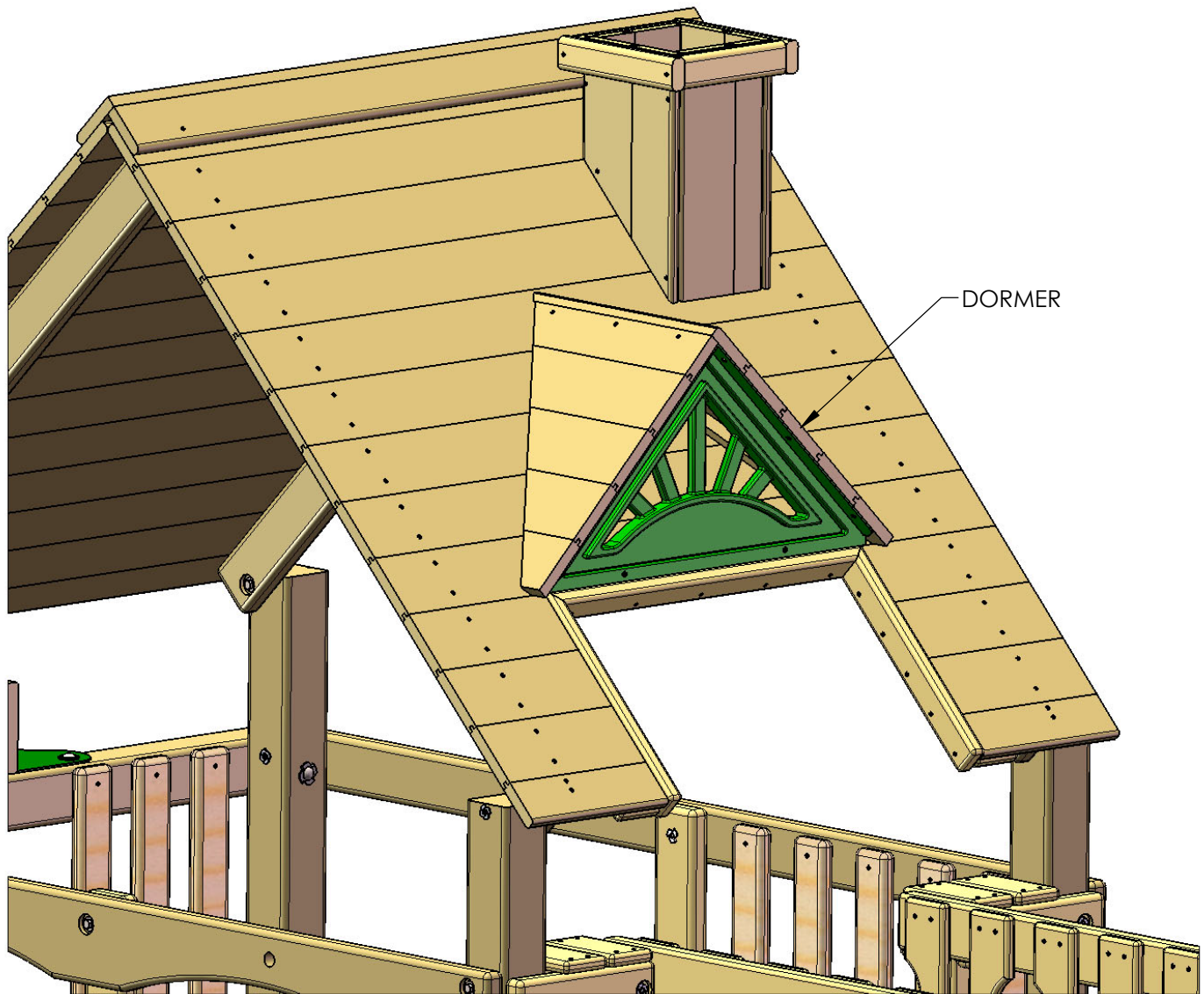


**MOUNT**

THE HOLE POSITION ON ALL THREE BOARDS IS LOW SO THE SCREWS GO INTO THE MOUNT BOARDS ON THE BOTTOM SIDE OF THE ROOF.

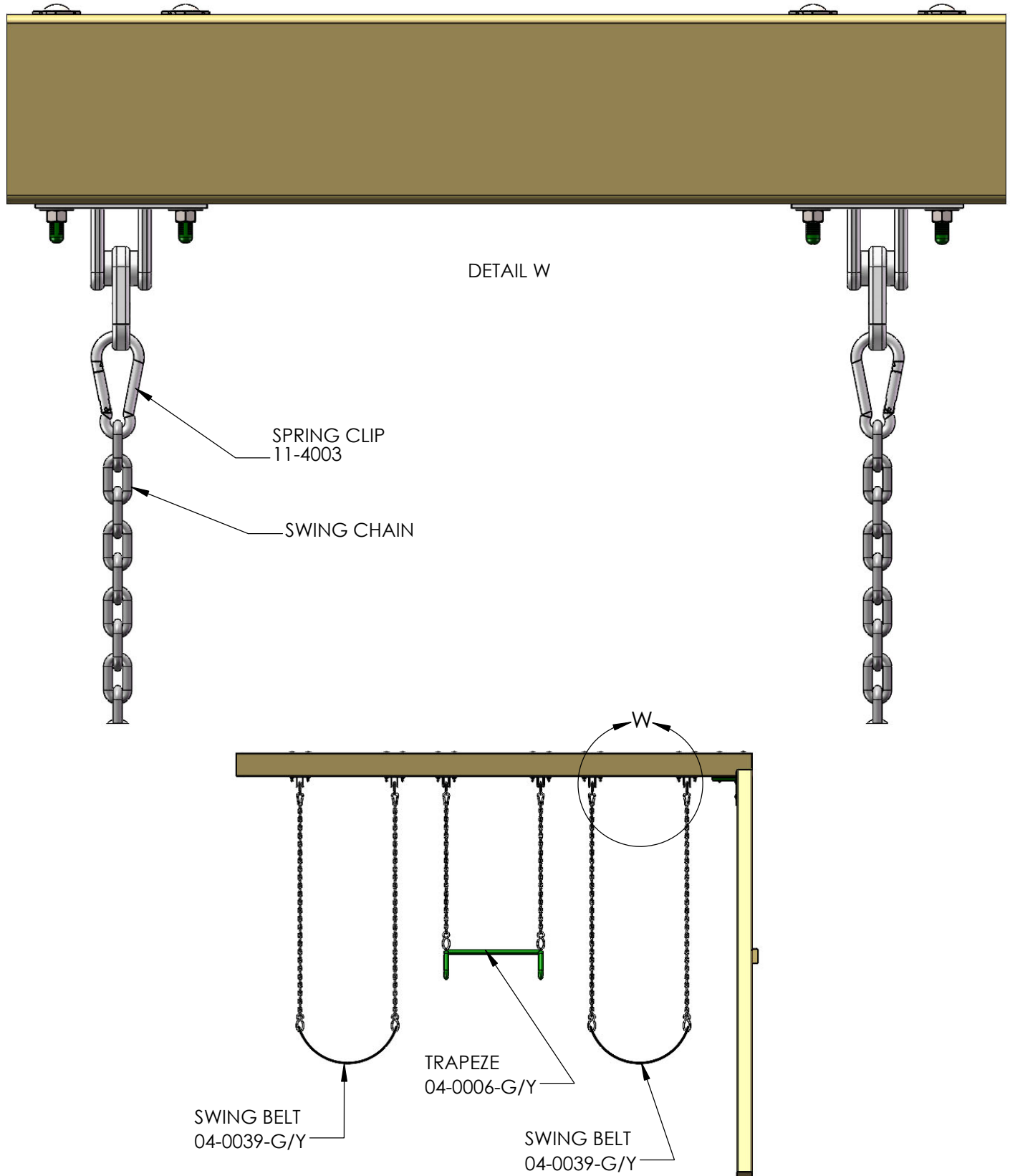
## STEP 58: DORMER

- 1: ASSEMBLE THE DORMER PER THE INSTRUCTIONS IN THE APPENDIX.
- 2: CENTER THE DORMER SIDE TO SIDE OVER THE ROOF NOTCH AS SHOWN.
- 3: INSTALL THE DORMER PER THE APPENDIX INSTRUCTIONS.



## STEP 59: HANGING THE SWINGS

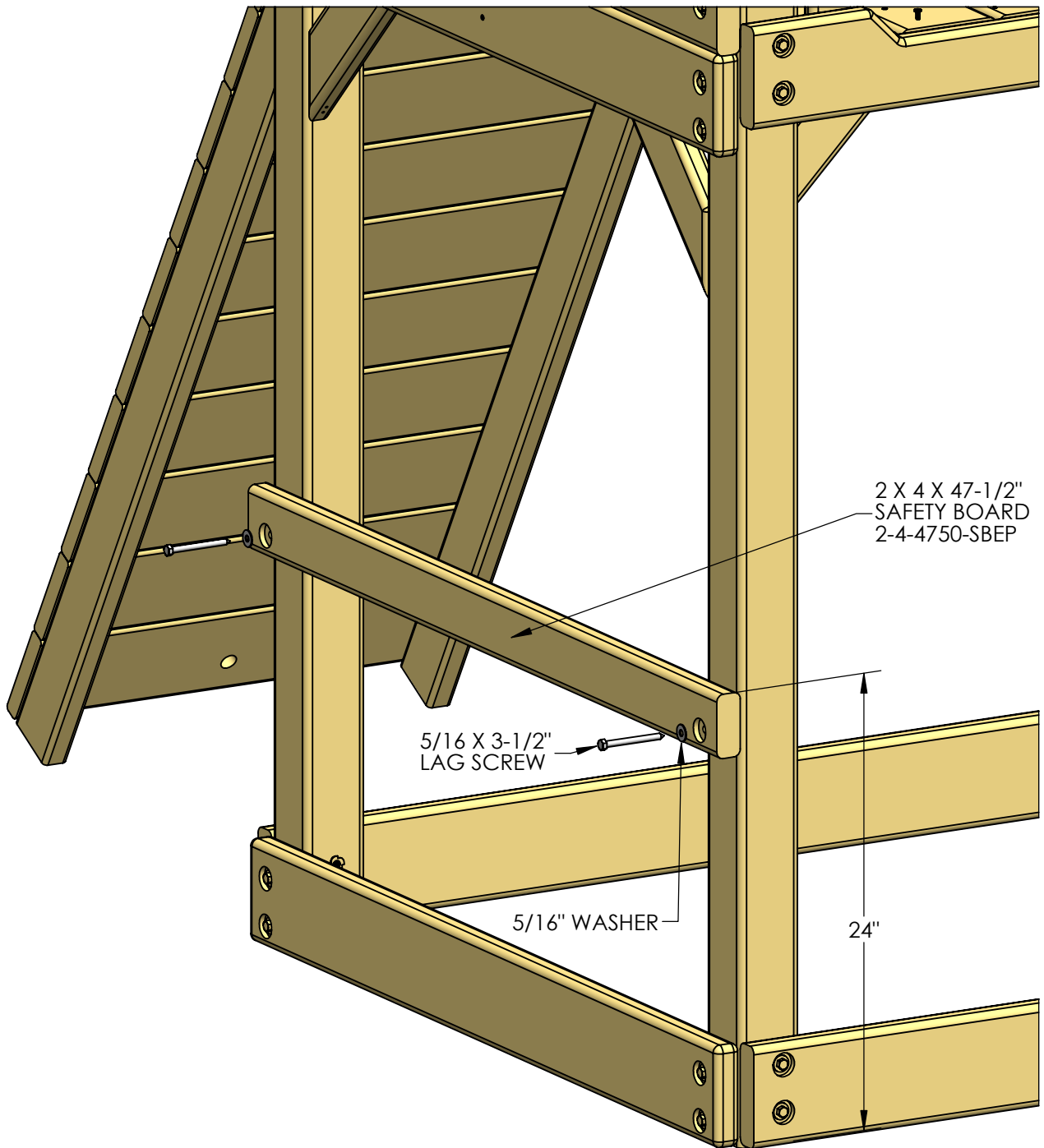
- 1: START BY ATTACHING ONE SPRING CLIP TO EACH IRON DUCTILE ON THE SWING BEAM.
- 2: ATTACH ONE CHAIN PER ACCESSORY TO EACH SPRING CLIP.
- 3: ADJUST HEIGHT AS NEEDED. REFER TO "SWING BEAM LOADING" PAGE AT BEGINNING OF THE MANUAL.



## STEP 60: SAFETY BOARD

1: MEASURE 24" FROM THE BOTTOM OF THE CORNER POSTS ON THE LEFT SIDE OF THE FORT. MARK THESE POSITIONS ON THE OUTSIDE OF THE CORNER POSTS. ATTACH THE 2 X 4 X 47-1/2" SAFETY BOARD WITH OFFSET HOLES ON THE CORNER POSTS WITH 5/16 X 3-1/2" LAG SCREWS AND 5/16" WASHERS.

NOTE: THE OFFSET HOLES CAN BE PLACED UP OR DOWN IN THIS STEP.



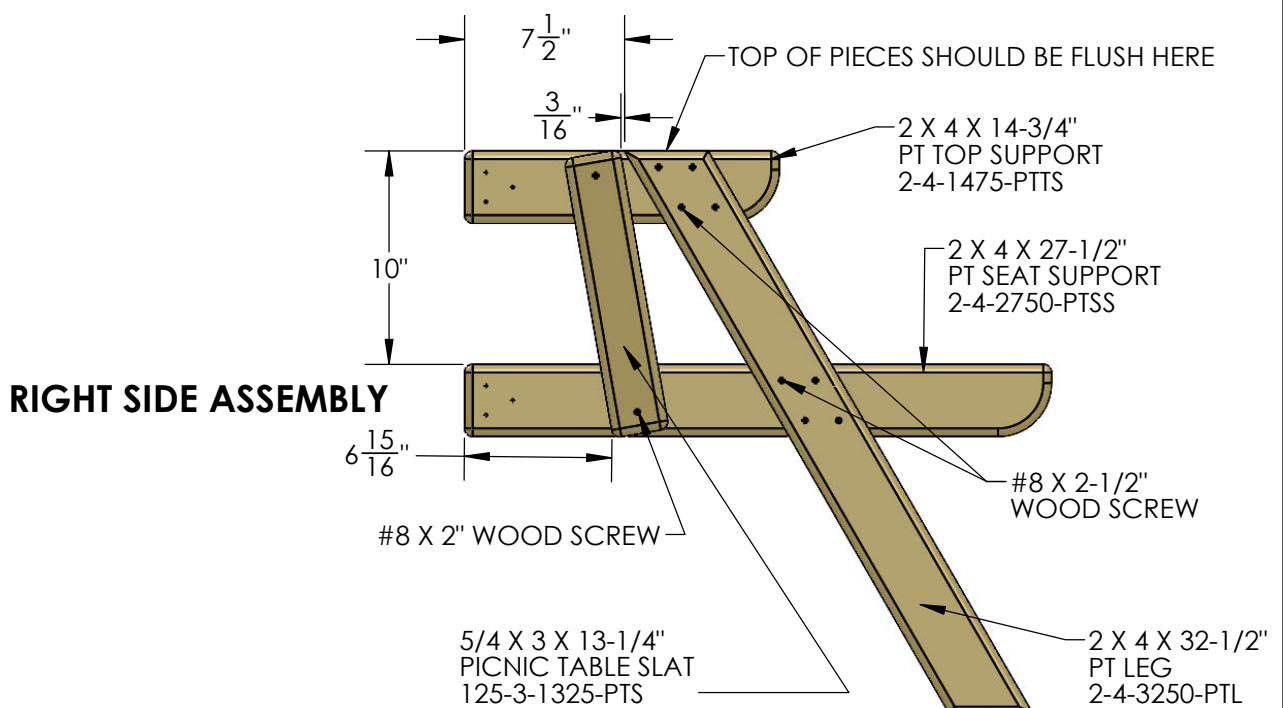
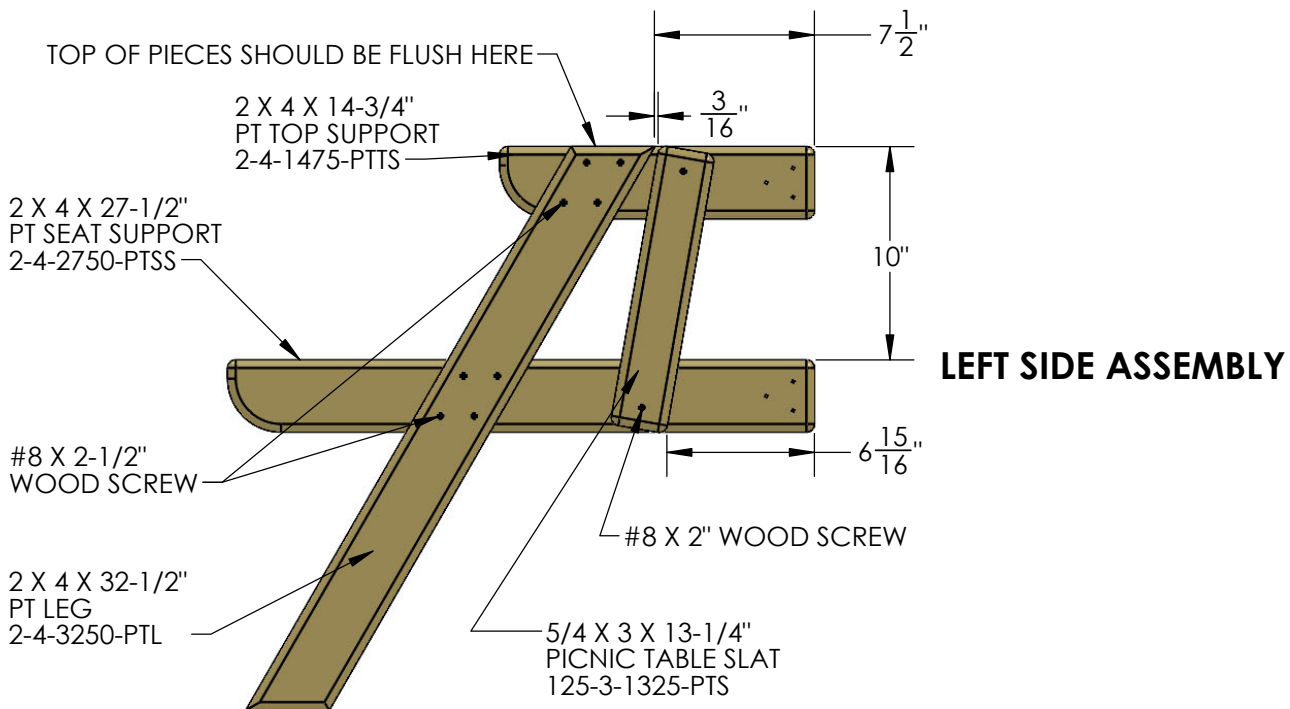
# STEP 61: PICNIC TABLE

1: LOCATE TWO 2 X 4 X 14-3/4" PT TOP SUPPORTS, TWO 2 X 4 X 27-1/2" PT SEAT SUPPORTS, TWO 2 X 4 X 32-1/2" PT LEGS AND TWO 5/4 X 3 X 13-1/4" PICNIC TABLE SLATS.

2: FOR THE LEFT SIDE ASSEMBLY, PLACE A 2 X 4 X 14-3/4" PT TOP SUPPORT AND A 2 X 4 X 27-1/2" PT SEAT SUPPORT PARALLEL TO ONE ANOTHER. PLACE A 2 X 4 X 32-1/2" PT LEG ON TOP AT THE 7-1/2" DIMENSION. THE TOP OF THE PT LEG SHOULD BE FLUSH TO THE TOP OF THE PT TOP SUPPORT. ATTACH THE PT LEG TO THE SUPPORTS WITH #8 X 2-1/2" WOOD SCREWS.

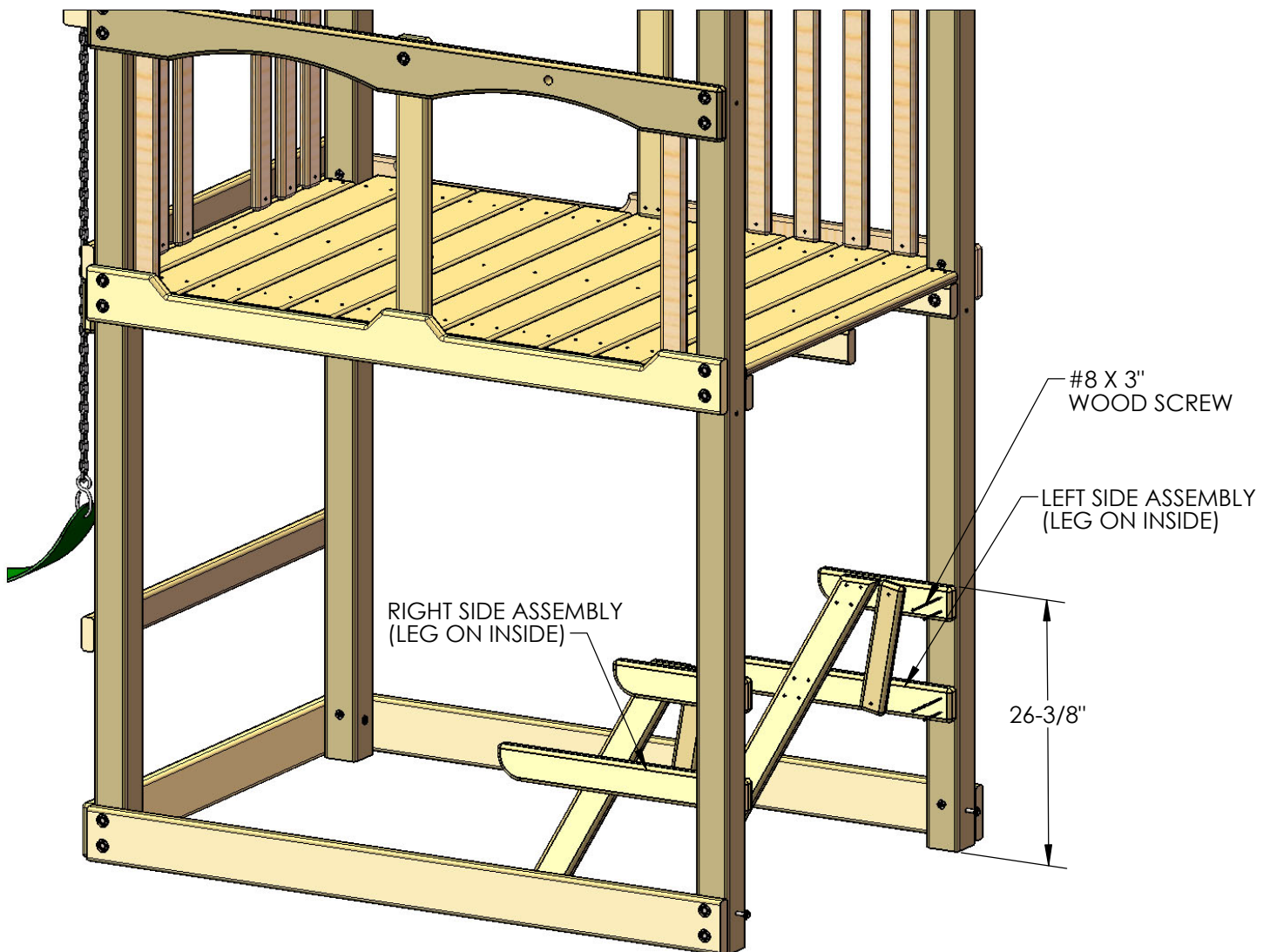
3: FOR THE RIGHT SIDE ASSEMBLY, PLACE A 2 X 4 X 14-3/4" PT TOP SUPPORT AND A 2 X 4 X 27-1/2" PT SEAT SUPPORT PARALLEL TO ONE ANOTHER. PLACE A 2 X 4 X 32-1/2" PT LEG ON TOP AT THE 7-1/2" DIMENSION. THE TOP OF THE PT LEG SHOULD BE FLUSH TO THE TOP OF THE PT TOP SUPPORT. ATTACH THE PT LEG TO THE SUPPORTS WITH #8 X 2-1/2" WOOD SCREWS.

4: PLACE THE PICNIC TABLE SLAT NEXT TO THE PICNIC TABLE LEG FOR EACH ASSEMBLY BELOW. LEAVE A 3/16" GAP BETWEEN THE TOP OF THE SLAT AND THE LEG. USE THE 6-15/16" DIMENSION TO LOCATE THE BOTTOM END OF THE SLAT. FASTEN THE PICNIC TABLE SLAT TO THE SUPPORTS WITH TWO #8 X 2" WOOD SCREWS.



## STEP 62: PICNIC TABLE

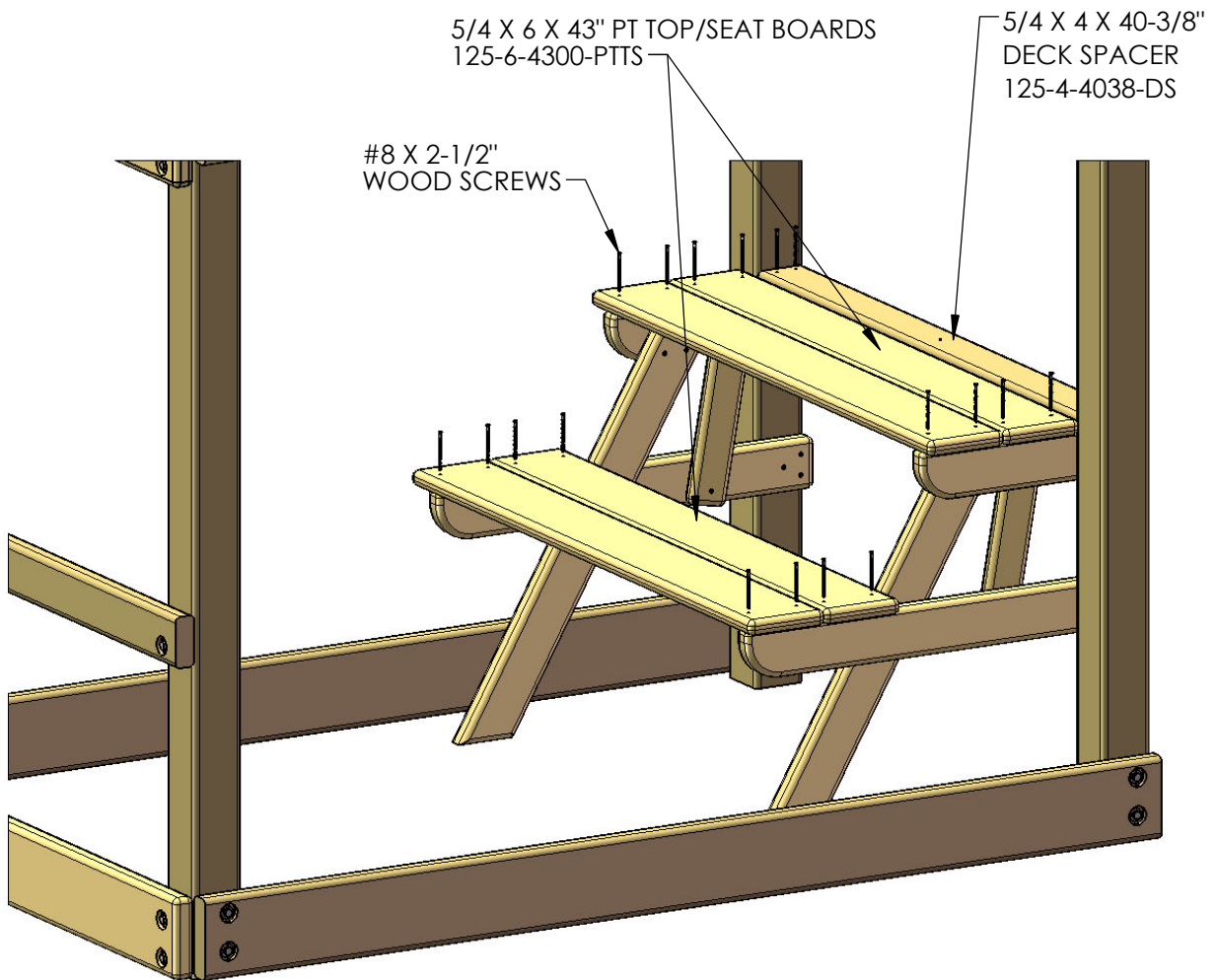
- 1: MEASURE UP 26-3/8" FROM THE BOTTOM OF THE CORNER POSTS ON THE RIGHT SIDE OF THE PLAYSET. MAKE MARKS ON THE INSIDE OF THE CORNER POSTS WITH A PEN OR PENCIL AT 26-3/8".
- 2: PLACE THE TOP OF THE RIGHT SIDE ASSEMBLY FLUSH TO THE MARK ON THE RIGHT FRONT CORNER POST. ATTACH THE RIGHT SIDE ASSEMBLY TO THE INSIDE OF THE CORNER POST WITH #8 X 3" WOOD SCREWS.
- 3: PLACE THE TOP OF THE LEFT SIDE ASSEMBLY FLUSH TO THE MARK ON THE RIGHT REAR CORNER POST. ATTACH THE LEFT SIDE ASSEMBLY TO THE INSIDE OF THE CORNER POST WITH #8 X 3" WOOD SCREWS.



NOTE: ROCK WALL, LADDER AND PORCH REMOVED FOR CLARITY.

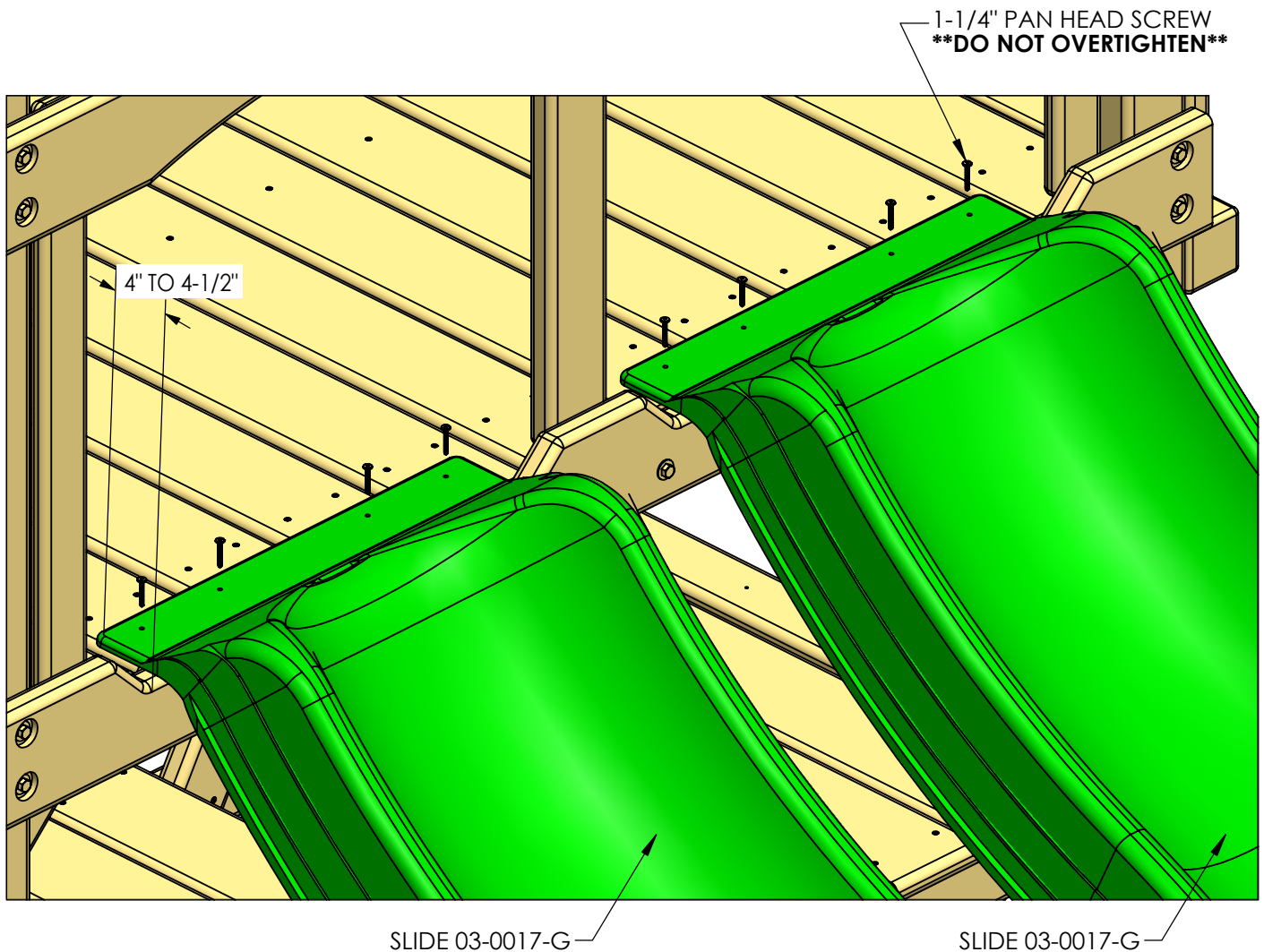
## STEP 63: PICNIC TABLE

- 1: LOCATE FOUR 5/4 X 6 X 43" PT TOP AND SEAT BOARDS AND ONE 5/4 X 4 X 40-3/8" DECK SPACER.
- 2: CENTER THE HOLES IN THE BOARDS OVER THE TOP OR SEAT SUPPORTS.
- 3: FASTEN THE PT TOP AND SEAT BOARDS TO THE TOP OR SEAT SUPPORTS WITH #8 X 2-1/2" WOOD SCREWS.
- 4: FASTEN THE DECK SPACER BETWEEN THE CORNER POSTS TO THE TOP SUPPORTS WITH #8 X 2-1/2" WOOD SCREWS.



## STEP 64: MOUNTING THE SLIDE x 2

- 1: PLACE TWO SLIDES IN THE OPENING AT THE FRONT-LEFT & RIGHT OF THE FORT. LAY THE SLIDES ON THE DECK WITH THE LIP EXTENDING ONTO THE DECK 4" TO 4-1/2".
- 2: SELECT 4 DIMPLES OUT OF THE 8 DIMPLES IN THE SLIDE THAT ARE NOT IN A GAP OR NEAR THE EDGE OF A DECK BOARD.
- 3: AT THE 4 DIMPLE LOCATIONS PREDRILL 1/8" HOLES THROUGH THE SLIDE INTO THE DECK BOARDS ABOUT 3/4" DEEP.
- 4: ATTACH THE SLIDE TO THE DECK BOARDS WITH 1-1/4" PAN HEAD SCREWS. **\*\*DO NOT OVERTIGHTEN\*\***



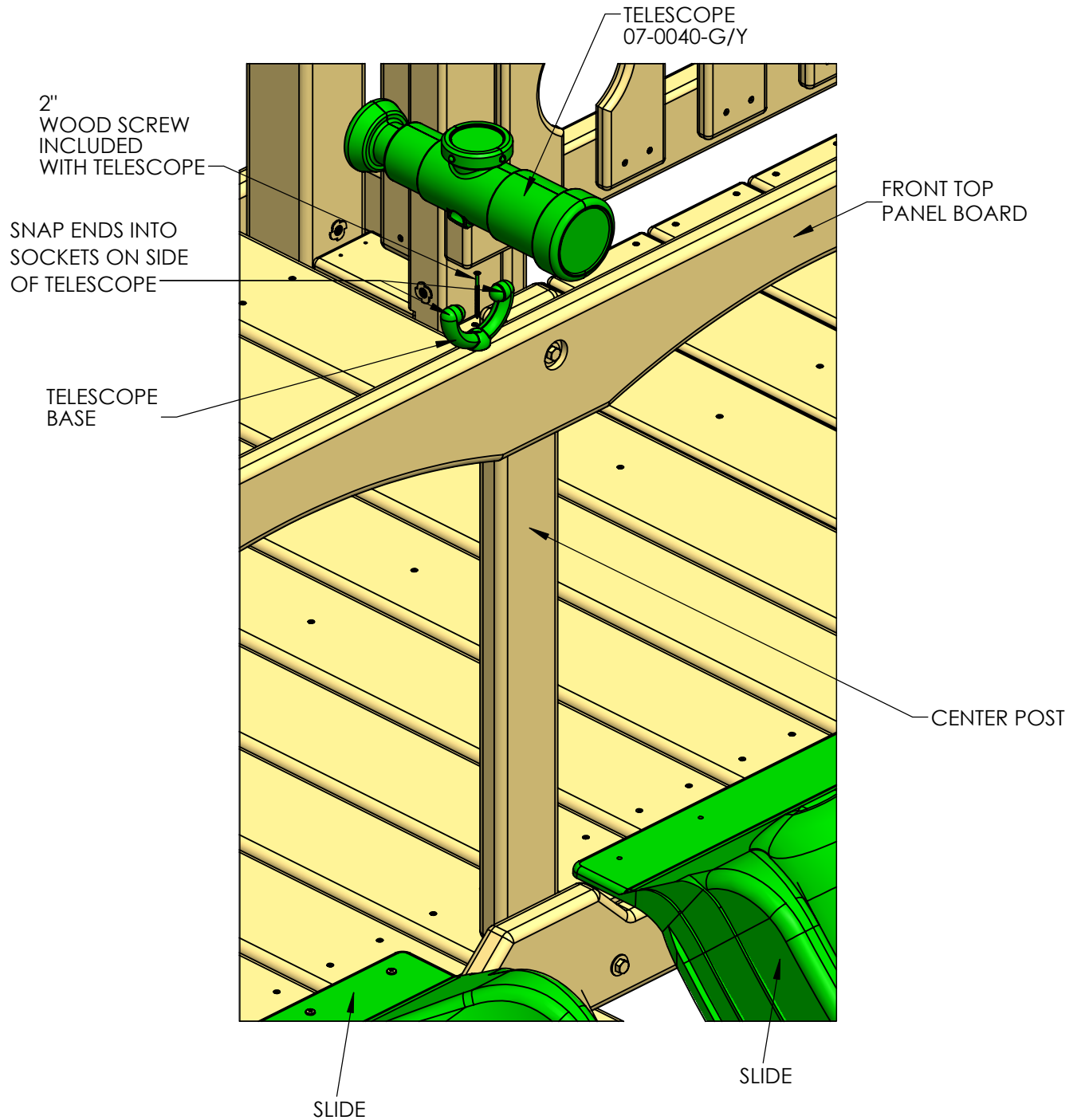
## DETOUR 2

GO TO APPENDIX AND FOLLOW STEPS 17-20 OF SKYLOFT INSTRUCTIONS.

## STEP 65: MOUNTING THE TELESCOPE

1: FASTEN THE TELESCOPE BASE TO THE FRONT TOP PANEL BOARD WITH THE 2" SCREW INCLUDED.

2: SNAP THE ENDS OF THE TELESCOPE BASE INTO THE SOCKETS ON THE TELESCOPE SIDES.

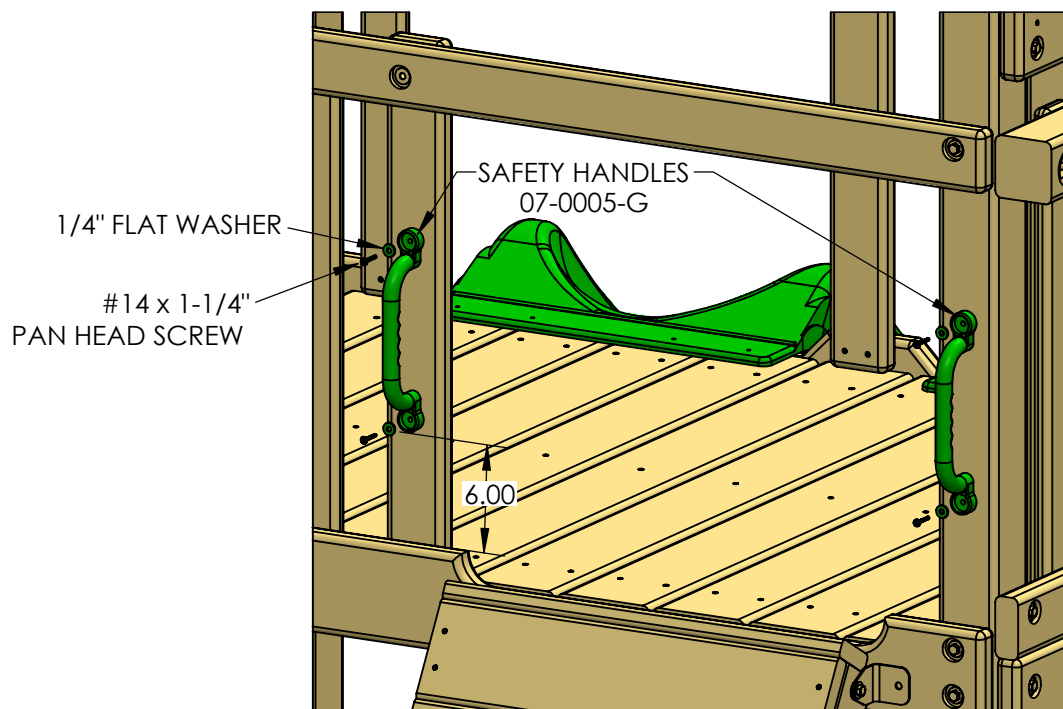


## STEP 66: SAFETY HANDLES

1: LOCATE THE SAFETY HANDLE BAG.

2: LOCATE THE SAFETY HANDLES AS SHOWN.

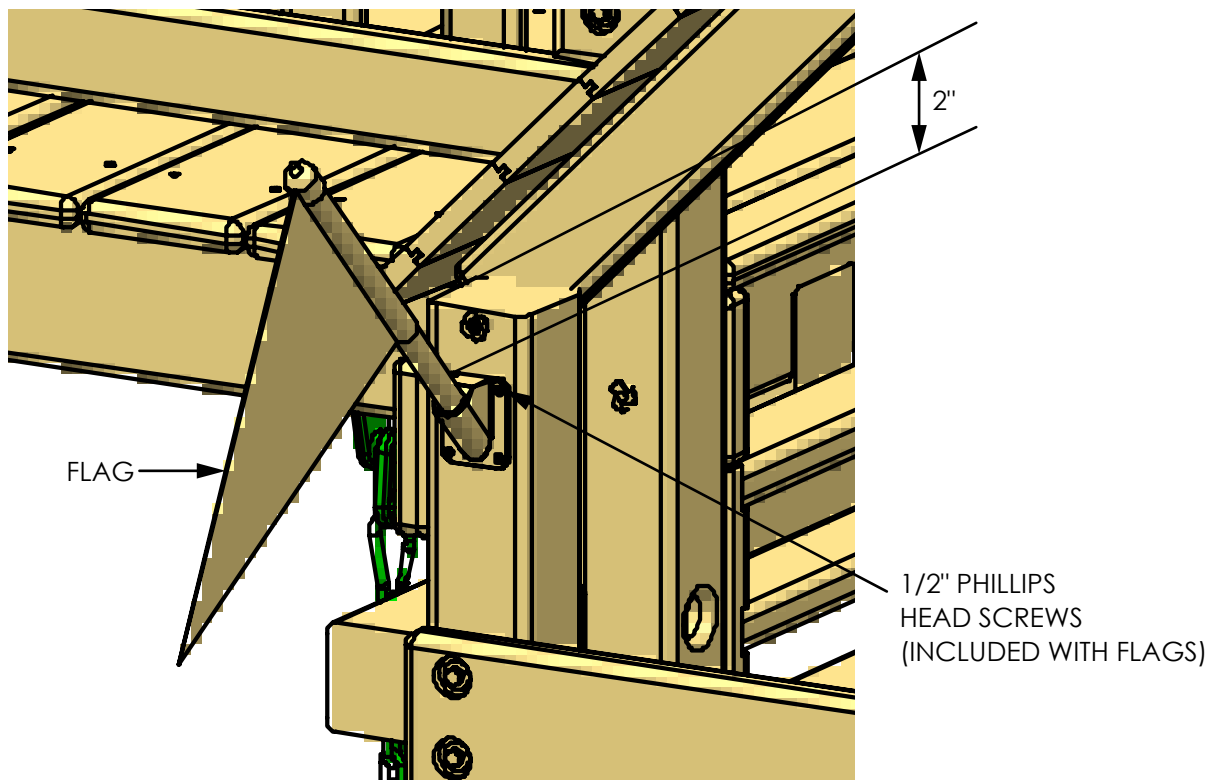
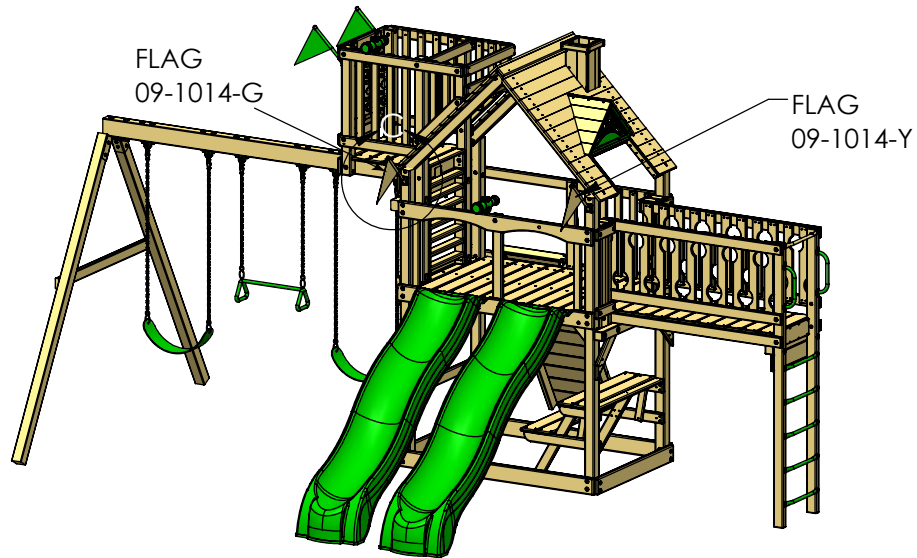
3: ATTACH EACH SAFETY HANDLE TO THE PANEL SLATS WITH TWO PAN HEAD SCREWS AND TWO WASHERS PROVIDED WITH THE SAFETY HANDLES.



DETAIL B

## STEP 67: FLAG KIT

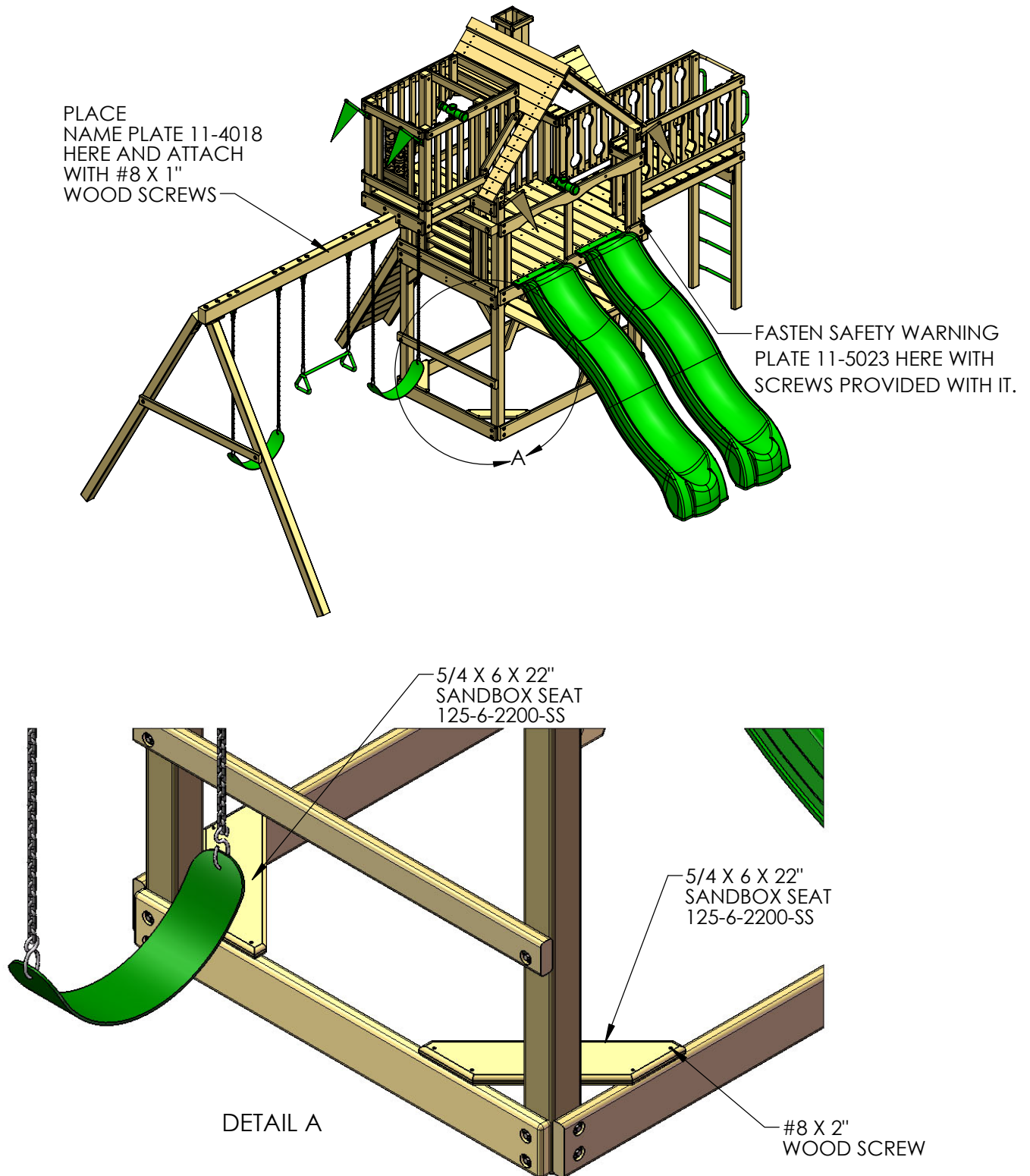
- 1: PLACE A FLAG ON THE CORNER POSTS AT THE FRONT OF THE FORT.
- 2: ATTACH THE BASE OF THE FLAG WITH THE 1/2" PHILLIPS HEAD SCREWS PROVIDED.



DETAIL C

## STEP 68: SANDBOX SEATS AND PLATES

- 1: PLACE THE 5/4 X 6 X 22" SANDBOX SEATS ONTO THE TOP OF THE SANDBOX BOARDS AS SHOWN BELOW.
- 2: ATTACH THE SANDBOX SEATS TO THE SANDBOX BOARDS WITH #8 X 2" WOOD SCREWS.
- 3: LOCATE THE NAME PLATE FOR YOUR PLAY SET. ATTACH THE NAME PLATE TO THE FRONT OF THE SWING BEAM WITH #8 X 1" WOOD SCREWS.
- 4: LOCATE THE SAFETY WARNING PLATE AND ATTACH IT.



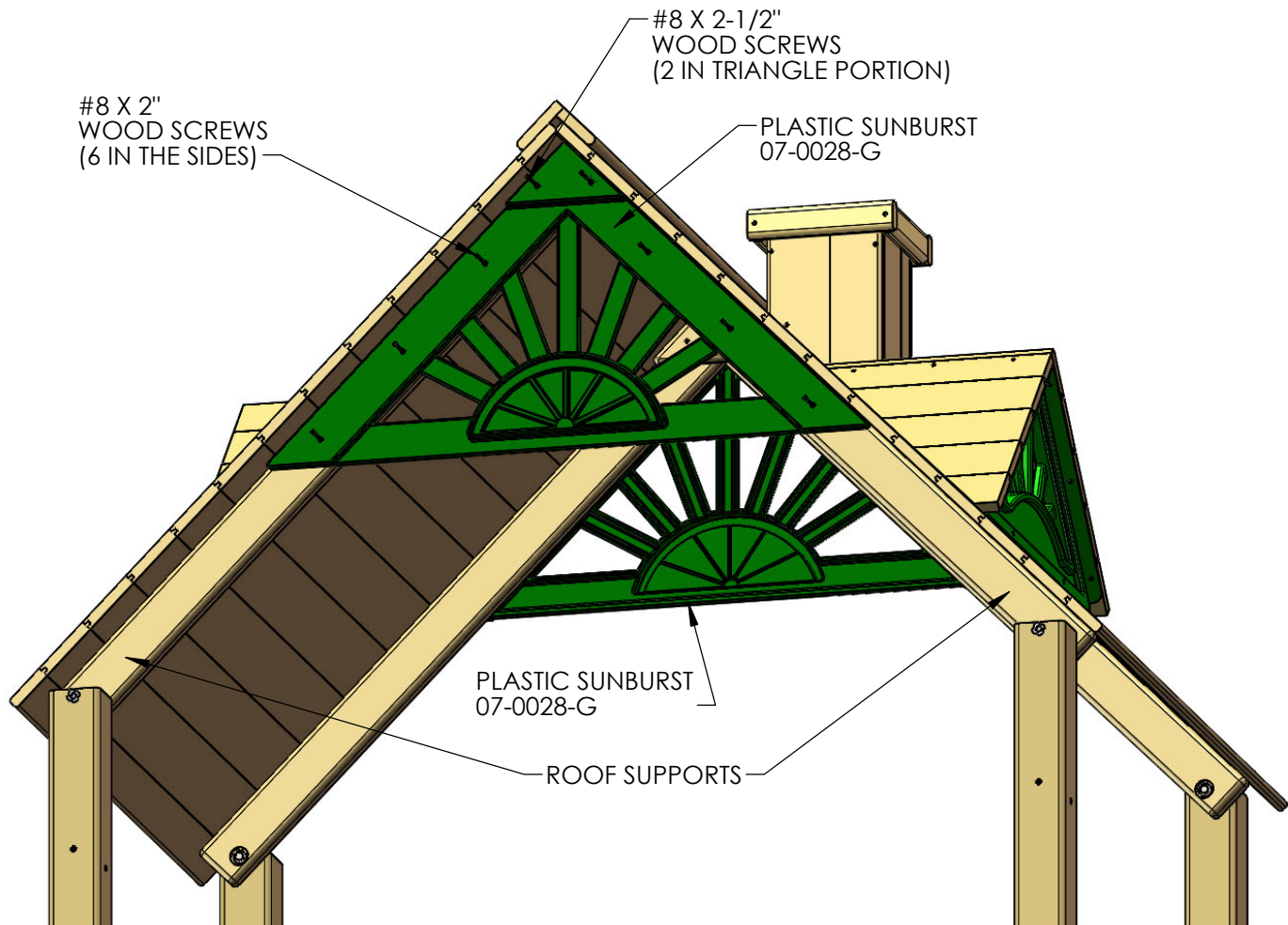
## STEP 69: PLASTIC SUNBURSTS

1: LOCATE TWO PLASTIC SUNBURST PIECES.

2: PLACE THE SUNBURST UNDER THE ROOF OVERHANG. FIT IT AGAINST THE BOTTOM SIDE OF THE ROOF BOARDS AND AGAINST THE ROOF SUPPORTS.

3: ATTACH THE PLASTIC SUNBURST WITH SIX #8 X 2" WOOD SCREWS ALONG THE SIDES. ATTACH THE TRIANGLE PORTION OF THE SUNBURST PIECE WITH #8 X 2-1/2" WOOD SCREWS.

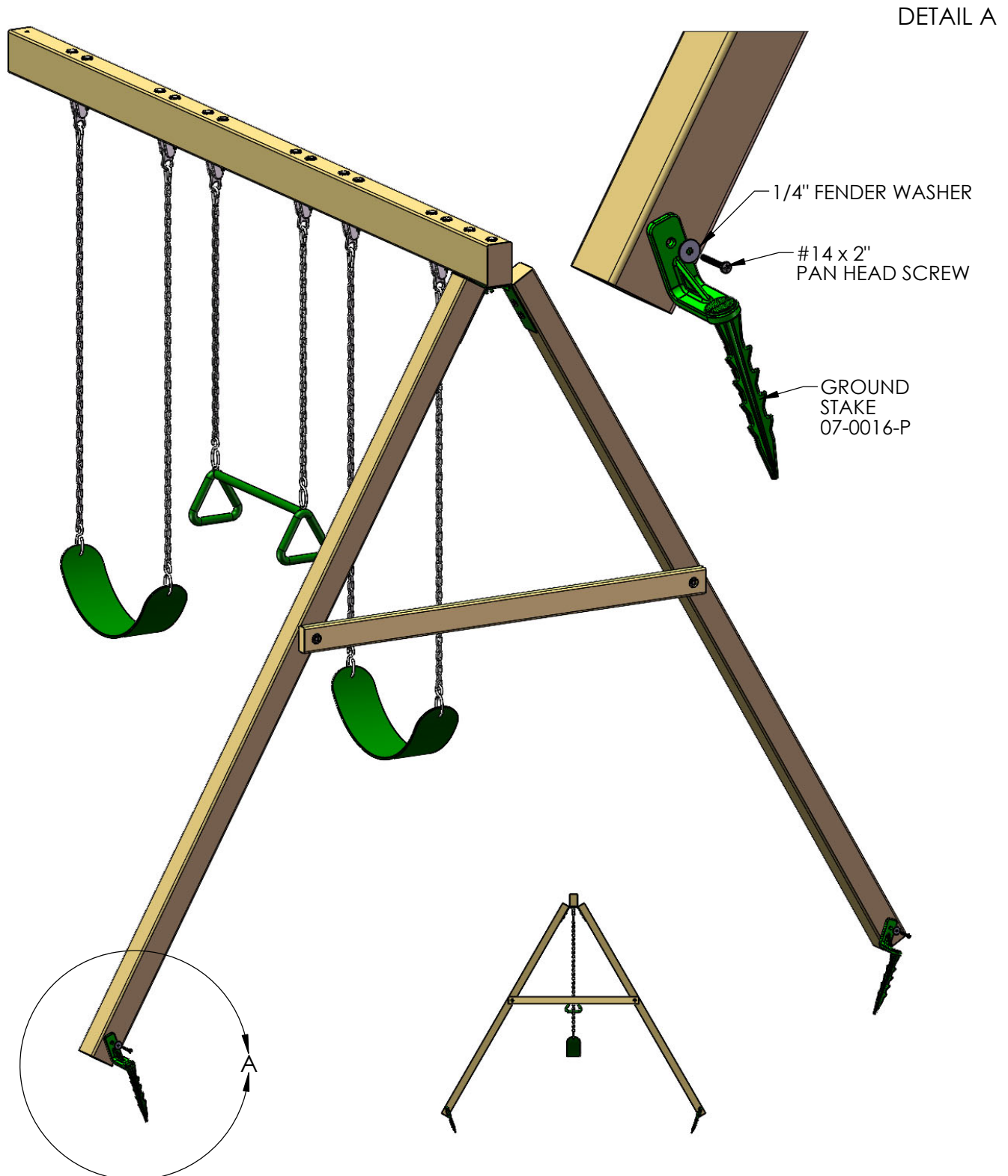
4: REPEAT SUBTEPS 2 AND 3 ON THE OTHER SIDE OF THE PLAY SET.



## STEP 70: GROUND STAKES

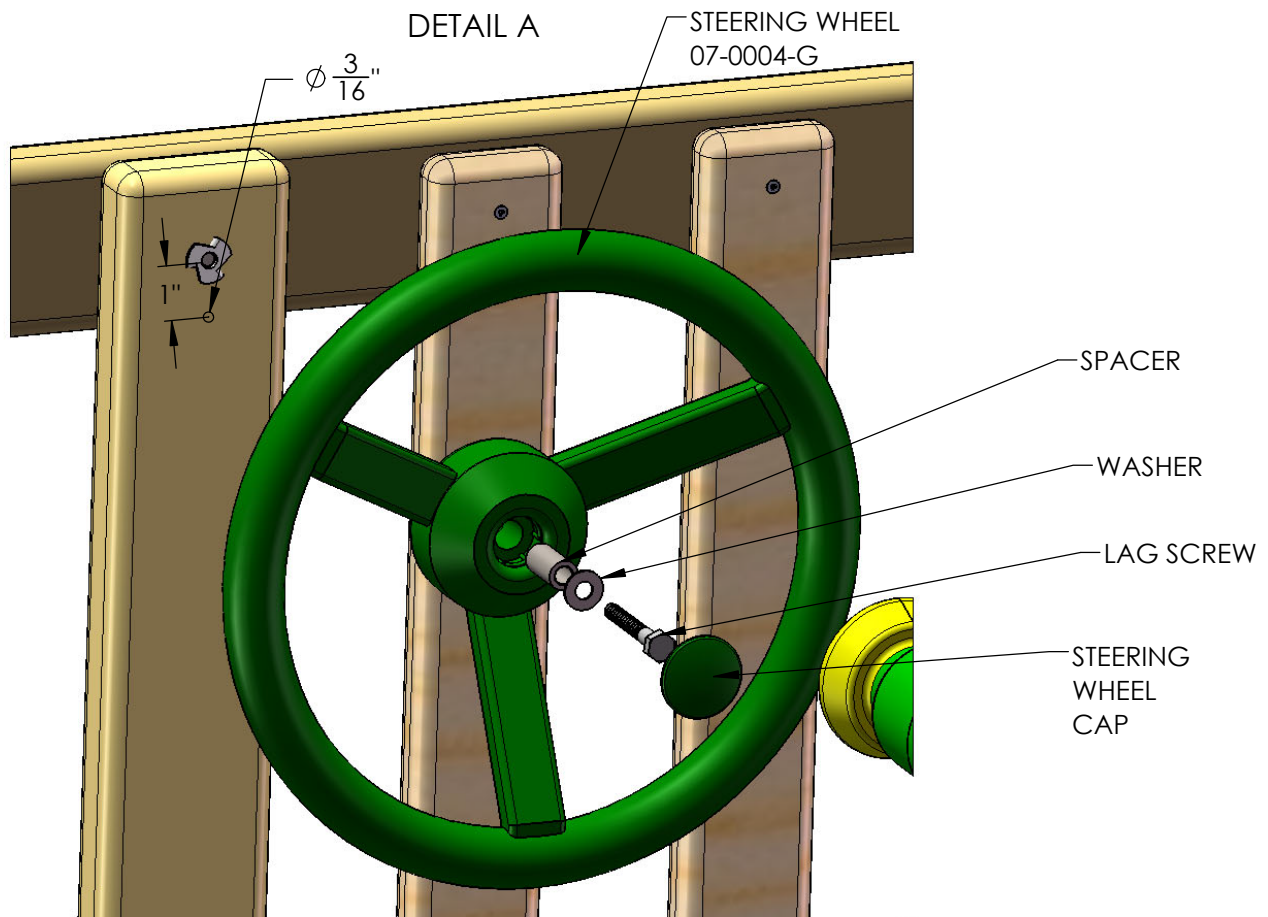
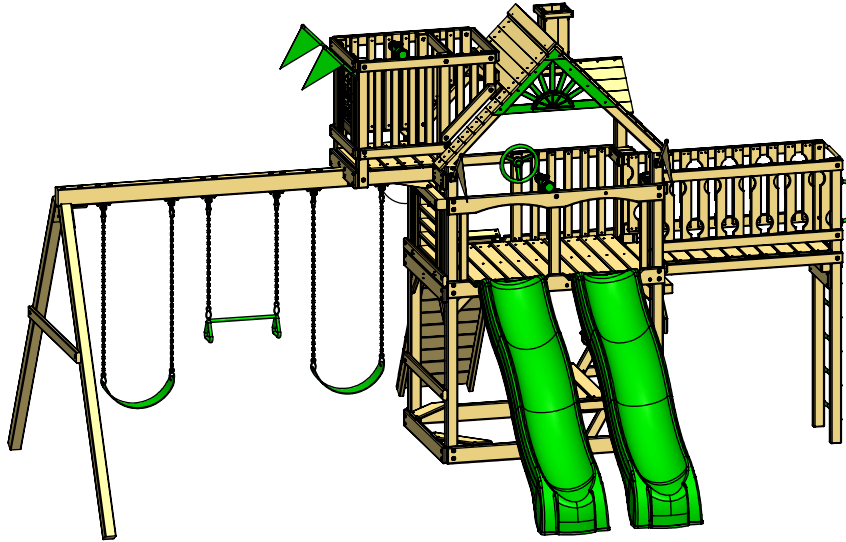
1: HAMMER A GROUND STAKE INTO THE EARTH NEXT TO EACH SWING LEG AT AN ANGLE. DO NOT HOLD THE UPPER PORTION OF THE STAKE AFTER THE FIRST COUPLE OF HITS OR IT MAY VIBRATE HARSHLY AGAINST YOUR HAND. IF THE TOP PART OF THE STAKE TWISTS WHEN IT ENCOUNTERS A ROCK OR ROOT YOU MAY HAVE TO BEND THE TOP PORTION OF THE STAKE AGAINST THE SWING LEG. FINALLY INSTALL THE SCREW AND WASHER.

2: ATTACH EACH GROUND STAKE TO THE SWING LEG WITH A #14 X 2" PAN HEAD SCREW AND A 1/4" FENDER WASHER PROVIDED WITH THE GROUND STAKE.



# STEP 71: STEERING WHEEL

- 1: GO TO THE REAR CENTER POST ON THE DECK.
- 2: DRILL A 3/16" DIAMETER HOLE BY 1" DEEP LOCATED 1" BELOW THE T-NUT INTO THE REAR CENTER POST.
- 3: PLACE THE SPACER INSIDE THE STEERING WHEEL.
- 4: SECURE THE STEERING WHEEL TO THE REAR CENTER POST WITH THE WASHER AND THE LAG SCREW PROVIDED.
- 5: SNAP THE STEERING WHEEL CAP INTO THE HUB OF THE STEERING WHEEL.

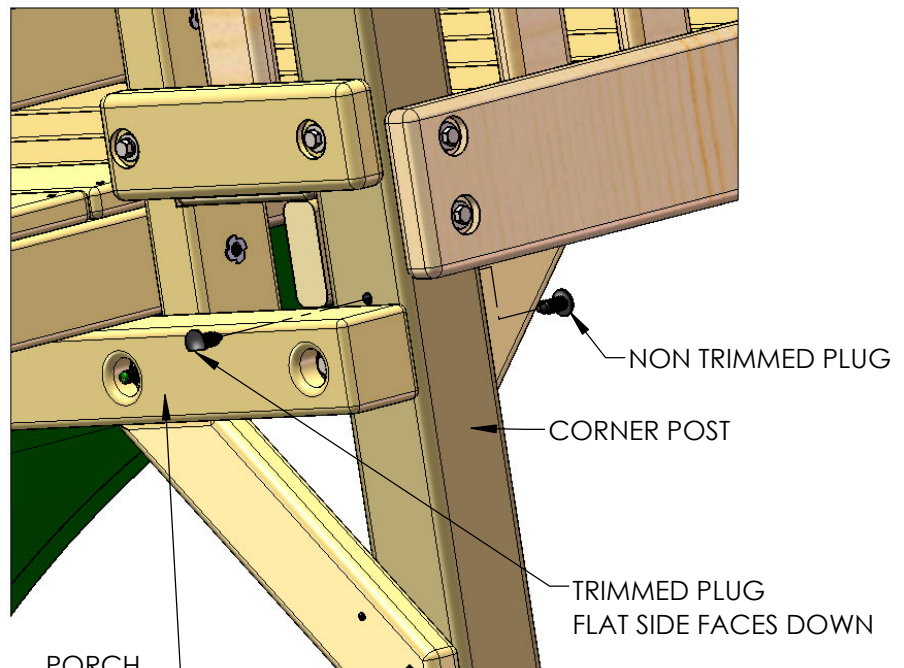
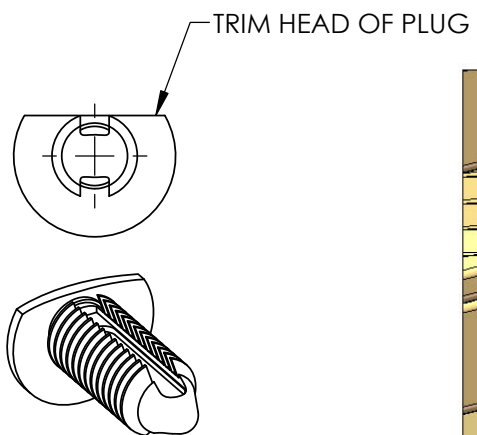


## STEP 72: PLASTIC PLUGS

1: TRIM DOWN 2 BLACK PLASTIC PLUGS AS SHOWN BELOW.

2: INSTALL THE TRIMMED DOWN PLUGS INTO THE HOLES IN THE CORNER POSTS ABOVE THE PORCH SUPPORT.

3: INSTALL 2 NON-TRIMMED PLASTIC PLUGS INTO THE BACK SIDE OF THE CORNER POSTS HOLES AS SHOWN.



PORCH  
SUPPORT

DETAIL A

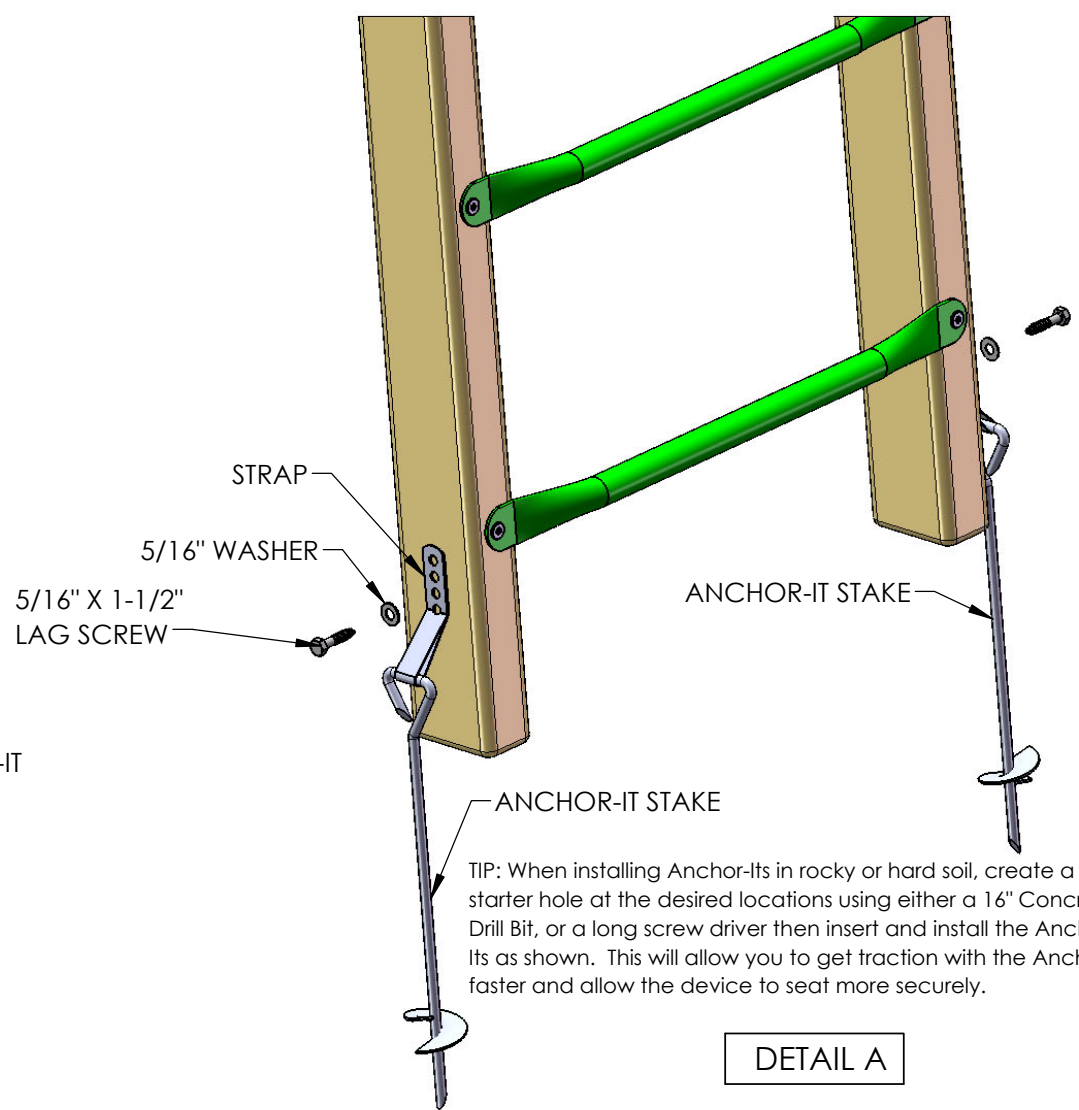
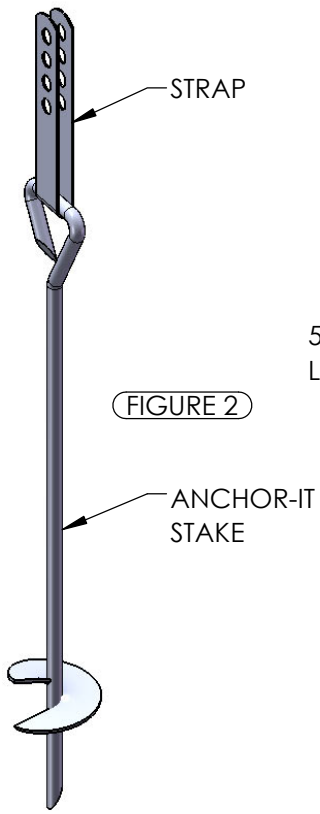
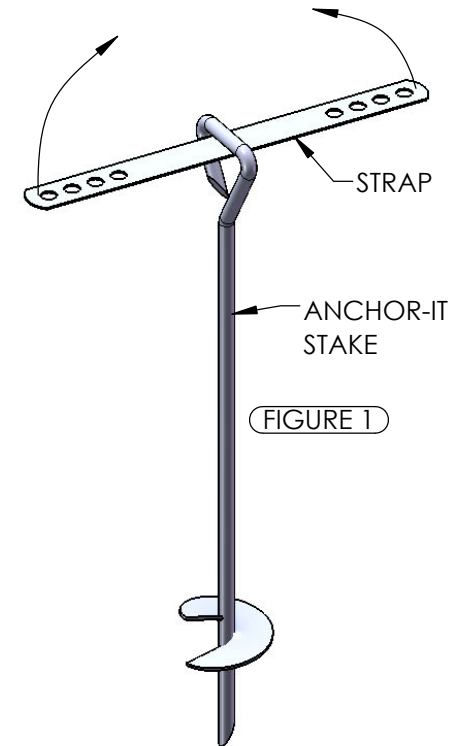
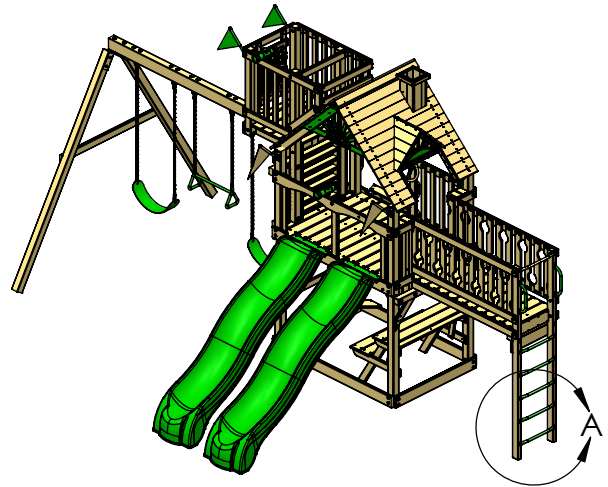
# STEP 73: PORCH ANCHOR-IT

1: PLACE ANCHOR-IT STRAP THROUGH LOOP AS SHOWN IN FIGURE 1. THEN FOLD THE ENDS UP AS SHOWN IN FIGURE 2. REMOVE THE STRAP FROM THE ANCHOR-IT.

2: TWIST THE ANCHOR-IT INTO THE GROUND UNTIL ONLY THE LOOP IS EXPOSED. PLACE THE STRAP BACK THROUGH THE ANCHOR-IT LOOP. SECURE THE STRAP TO THE SIDE OF THE PORCH LADDER WITH THE 5/16" X 1-1/2" LAG SCREW AND THE 5/16" WASHER PROVIDED WITH THE ANCHOR-IT.

3: REPEAT SUBSTEPS 1 & 2 FOR THE OTHER ANCHOR-IT ON THE OTHER SIDE OF THE LADDER.

ANCHOR-IT PARTS ARE IN WS 4522 BAG PROVIDED.



TIP: When installing Anchor-Its in rocky or hard soil, create a starter hole at the desired locations using either a 1/4" Concrete Drill Bit, or a long screw driver then insert and install the Anchor-Its as shown. This will allow you to get traction with the Anchor-It faster and allow the device to seat more securely.

## PART 2 Children's Porch Swing

## STEP 74: ARMREST ASSEMBLY

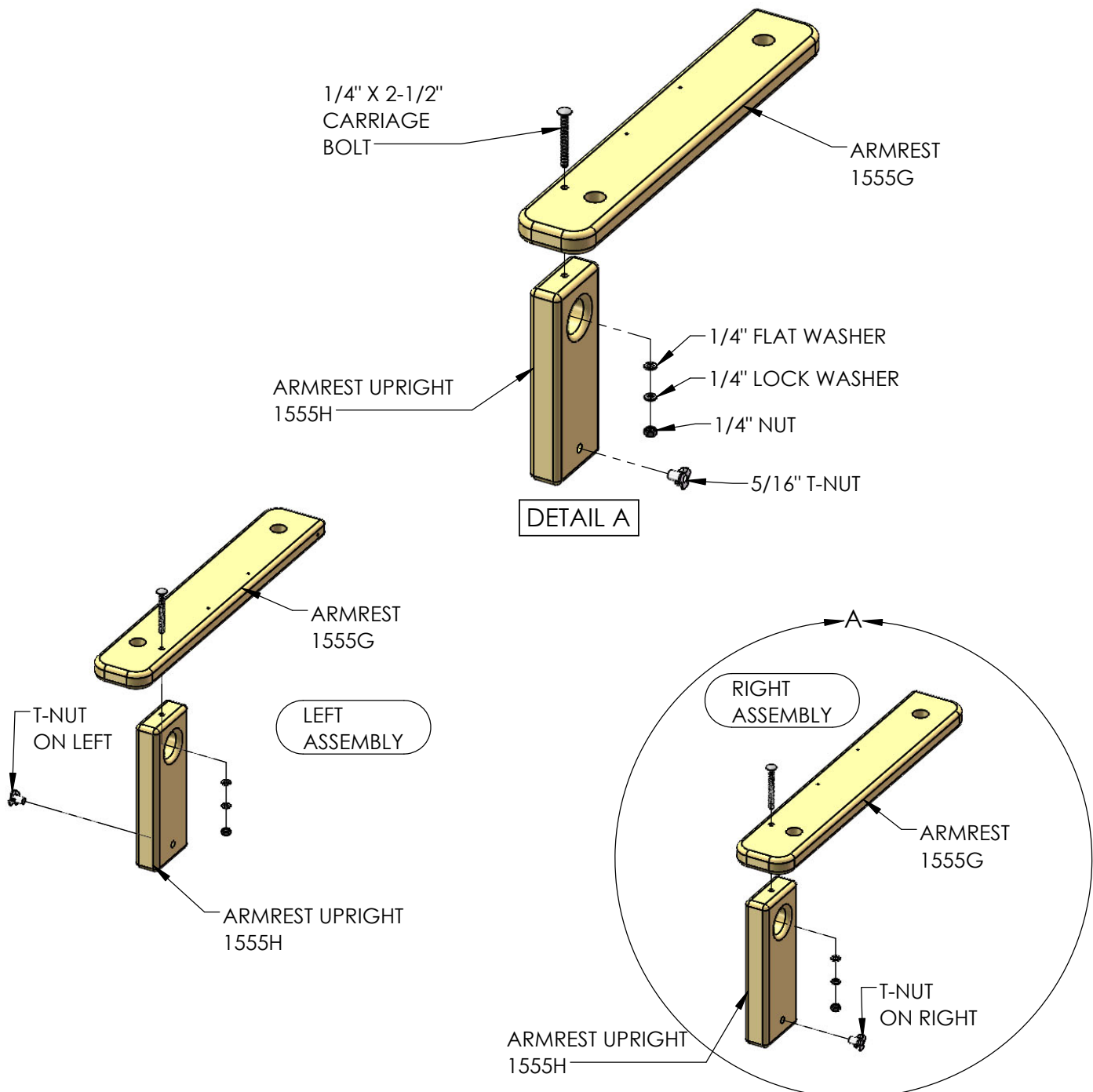
1: HAMMER A T-NUT INTO EACH ARMREST UPRIGHT.

2: PLACE AN ARMREST ON TOP OF EACH ARMREST SUPPORT. NOTE ORIENTATION OF ARMREST AND T-NUT POSITION.

3: FASTEN EACH ARMREST TO EACH ARMREST SUPPORT WITH A 1/4" X 2-1/2" CARRIAGE BOLT. TAP THE HEAD OF THE CARRIAGE BOLT WITH A HAMMER TO SET THE SQUARE UNDER THE HEAD OF THE BOLT INTO THE ARMREST WOOD.

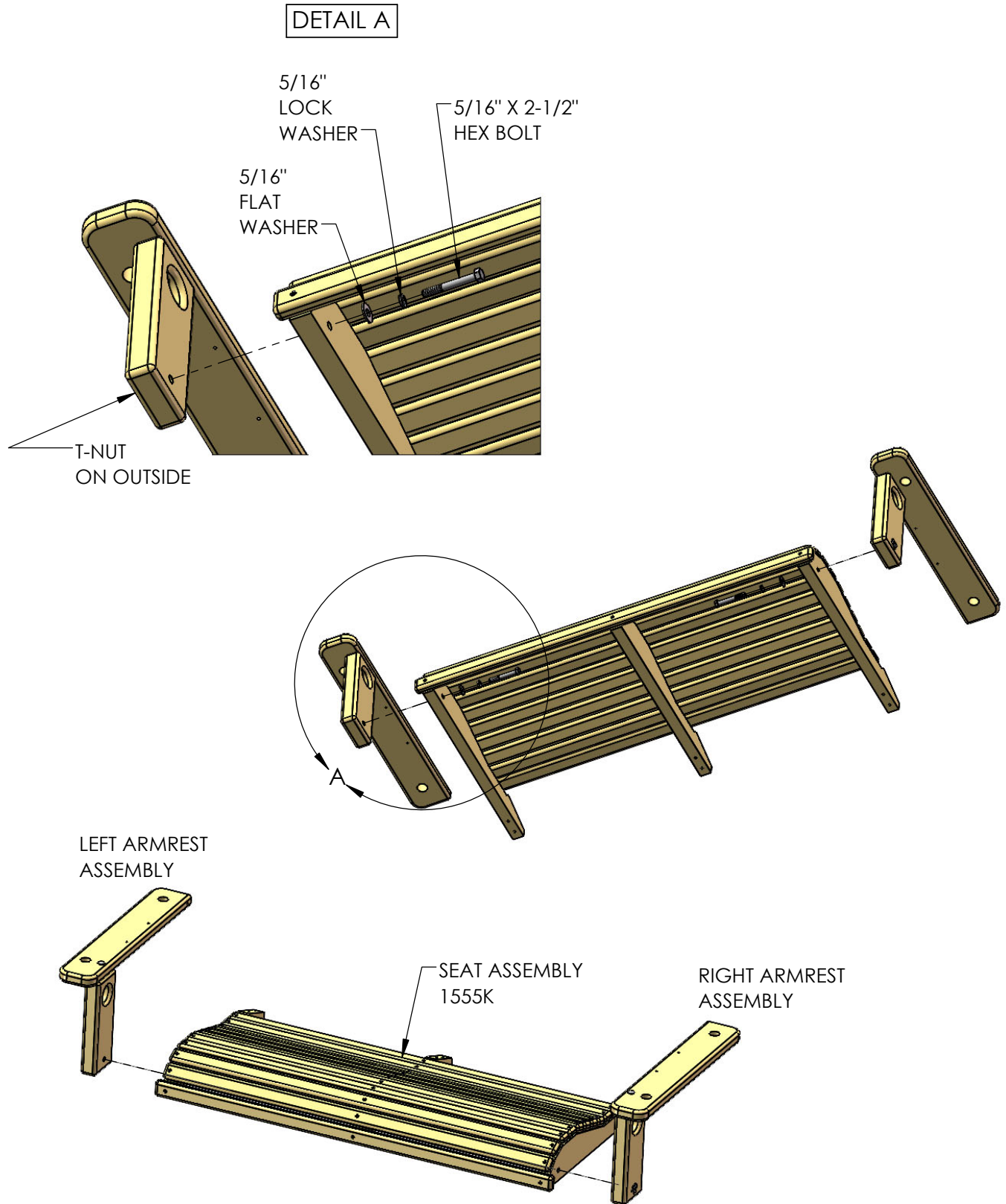
4: PLACE THE CARRIAGE BOLT THROUGH THE HOLE IN THE ARMREST SUPPORT.

5: FASTEN THE PARTS TOGETHER WITH A 1/4" WASHER, 1/4" LOCK WASHER AND A 1/4" NUT. TIGHTEN THE NUT BUT NOT SO TIGHT THAT YOU CRACK THE WOOD.



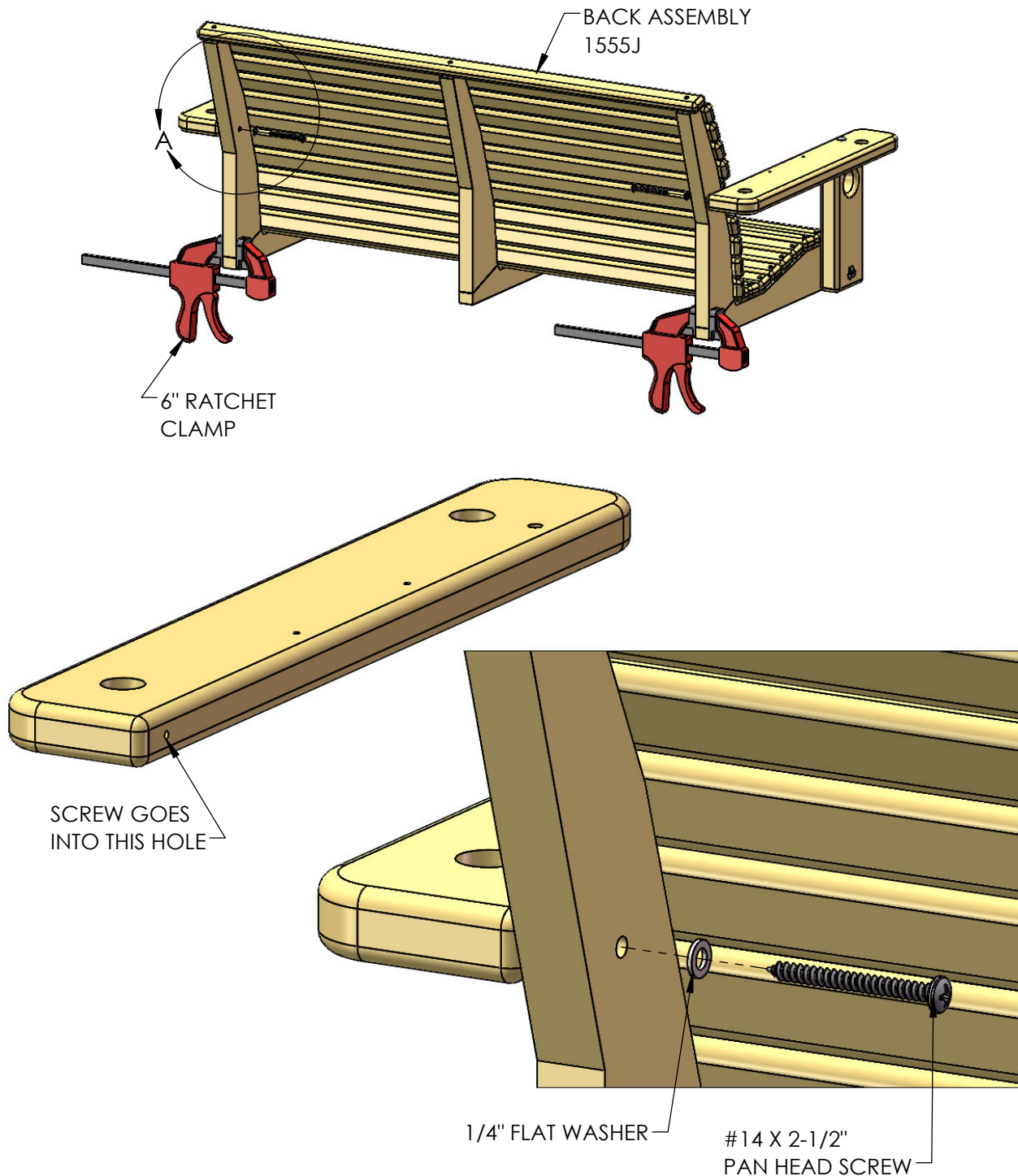
# STEP 75: ARMREST ASSEMBLY TO SEAT

1: FASTEN EACH ARMREST ASSEMBLY TO THE SEAT ASSEMBLY WITH A 5/16" X 2-1/2" HEX BOLT, 5/16" LOCK WASHER AND 5/16" FLAT WASHER.



## STEP 76: ARMREST ASSEMBLY TO BACK

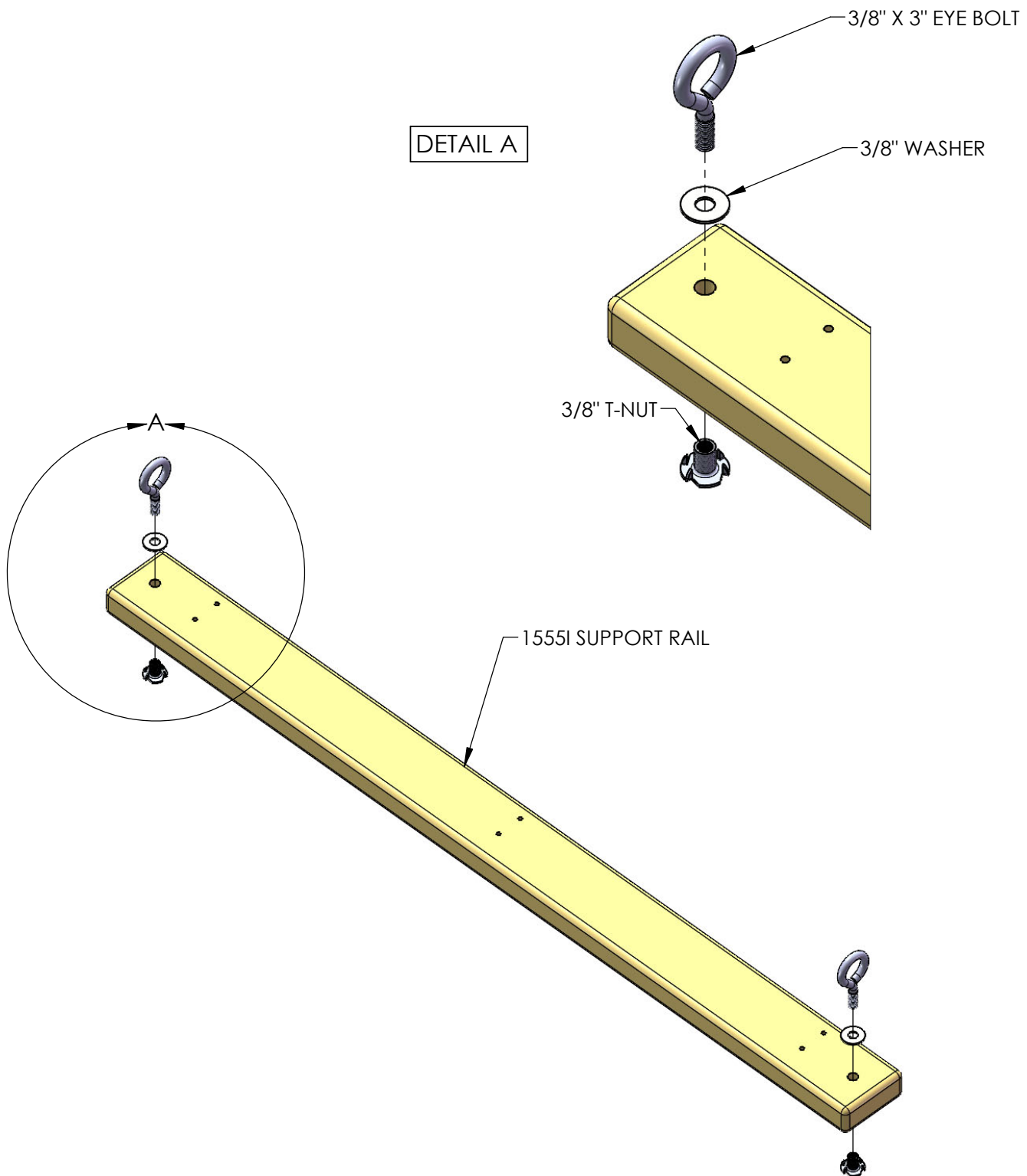
- 1: USE TWO RATCHET CLAMPS TO HOLD THE BACK ASSEMBLY TO THE SEAT ASSEMBLY.
- 2: PLACE THE #14 X 2-1/2" PAN HEAD SCREW WITH 1/4" WASHER THROUGH THE HOLE IN THE BACK ASSEMBLY. LINE UP THE END OF THE SCREW WITH THE HOLE IN THE ARMREST.
- 3: FASTEN THE PARTS TOGETHER USING A #3 PHILLIPS BIT TO DRIVE THE SCREW.
- 4: REPEAT SUBSTEPS 2 AND 3 FOR THE OTHER SIDE.



DETAIL A

## STEP 77: SUPPORT RAIL ASSEMBLIES

- 1: HAMMER TWO 3/8" T-NUTS INTO THE BOTTOM SIDE OF 1555I SUPPORT RAIL.
- 2: FLIP THE PART OVER.
- 3: FASTEN A 3/8" X 3" EYE BOLT WITH 3/8" WASHER THROUGH EACH HOLE IN THE RAIL INTO THE T-NUTS.
- 4: REPEAT SUBSTEPS 1-3 TO MAKE ANOTHER SUPPORT RAIL ASSEMBLY.

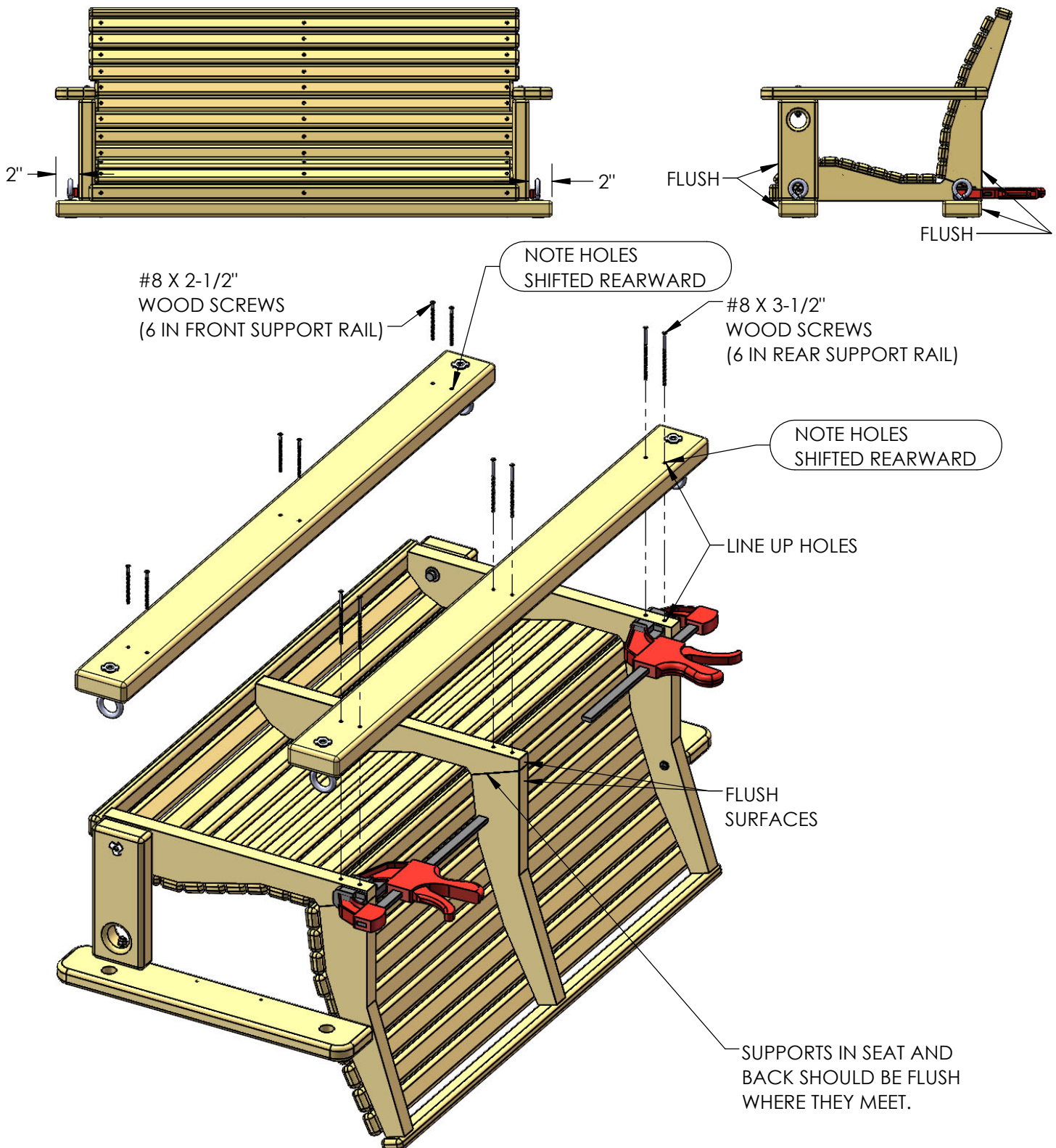


## STEP 78: SUPPORT RAILS TO BOTTOM

1: REPOSITION THE RATCHET CLAMPS. THE SUPPORTS IN THE SEAT AND BACK SHOULD BE FLUSH TO ONE ANOTHER AS SHOWN IN BOTTOM IMAGE.

2: **REAR SUPPORT RAIL:** INSTALL THE SUPPORT RAIL AT THE REAR LINING UP THE HOLES IN THE BOARD WITH THE HOLES IN THE SEAT ASSEMBLY. NOTE THE HOLES IN THE SUPPORT RAIL ARE SHIFTED REARWARD. FASTEN THE SUPPORT RAIL AT THE LEFT AND RIGHT FIRST. THEN GO BACK AND USE A RATCHET CLAMP TO BRING THE SEAT AND BACK SUPPORTS TOGETHER AT THE CENTER. INSTALL THE SCREWS AT THE CENTER OF THE SUPPORT RAIL.

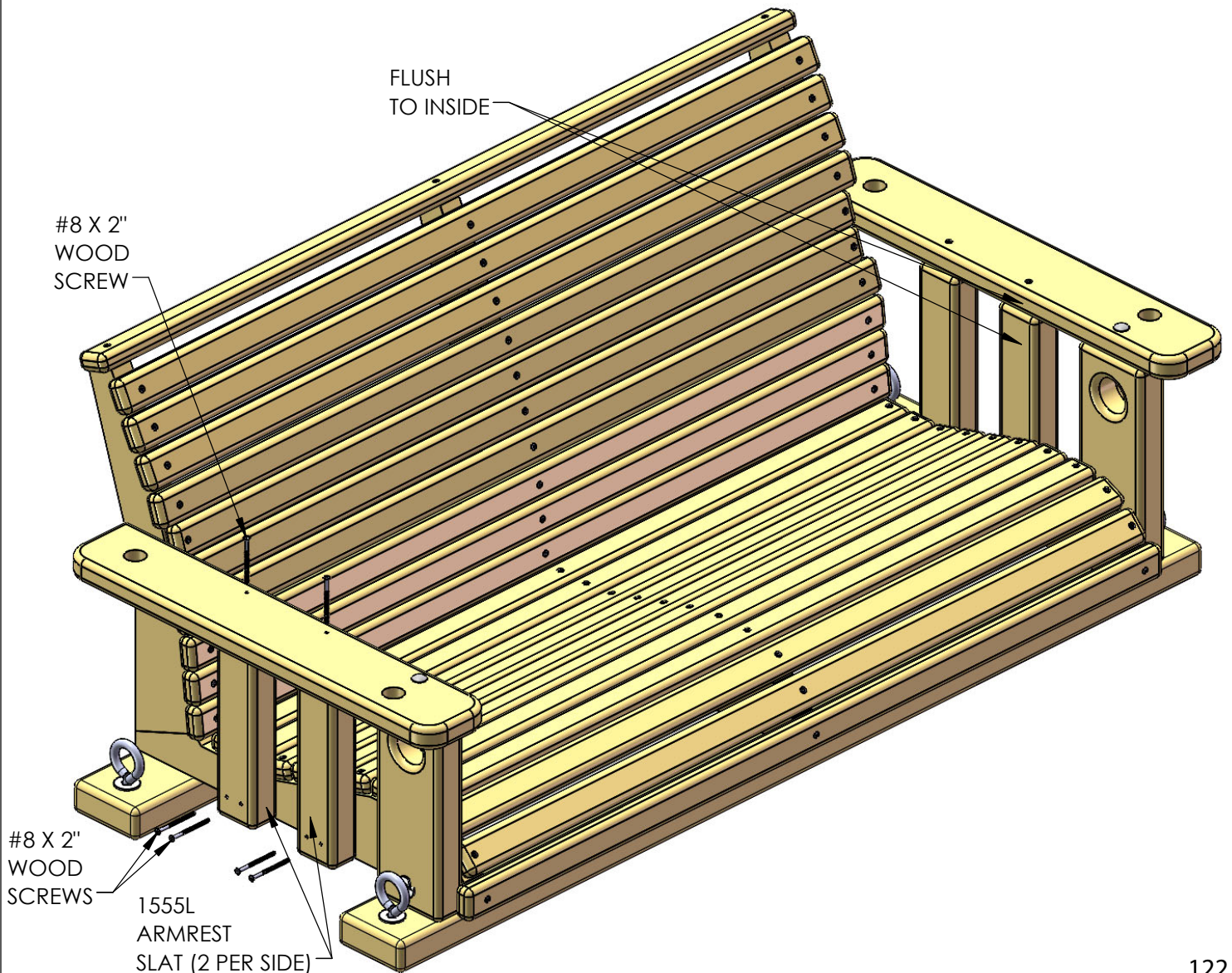
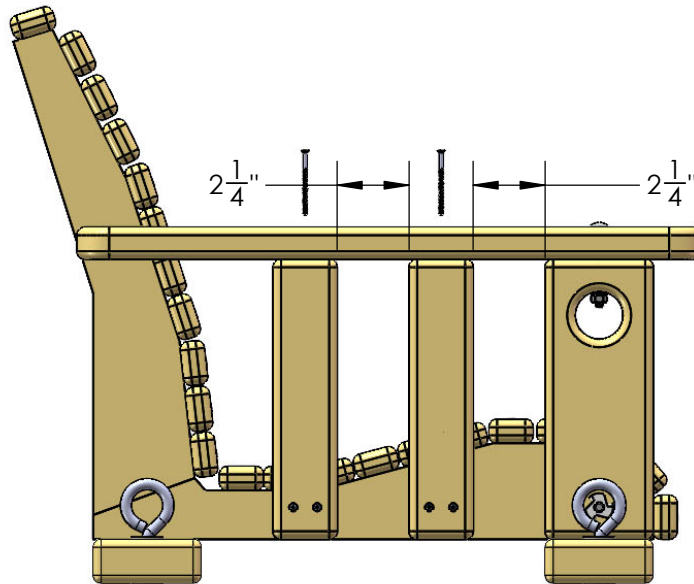
3: **FRONT SUPPORT RAIL:** POSITION THE SEAT SUPPORT AT THE FRONT OF THE SEAT AT THE DIMENSION/POSITION SHOWN IN THE TOP IMAGES BELOW. NOTE THE HOLES IN THE SUPPORT RAIL ARE SHIFTED REARWARD. FASTEN THE SUPPORT RAIL TO THE SEAT ASSEMBLY.



## STEP 79: ARMREST SLATS

1: POSITION THE ARMREST SLATS UNDERNEATH THE ARMRESTS AND AGAINST THE SIDE OF THE SEAT ASSEMBLY AS SHOWN.

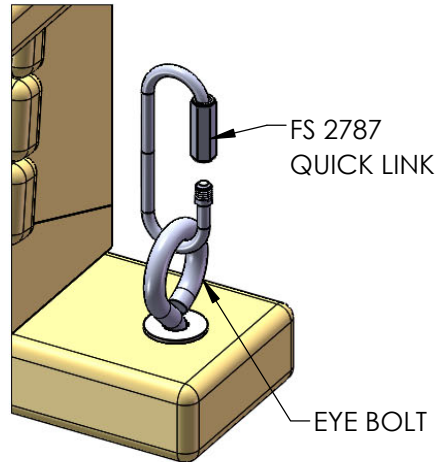
2: FASTEN EACH ARMREST SLAT TO THE SEAT AND ARMREST WITH THREE #8 X 2" WOOD SCREWS.



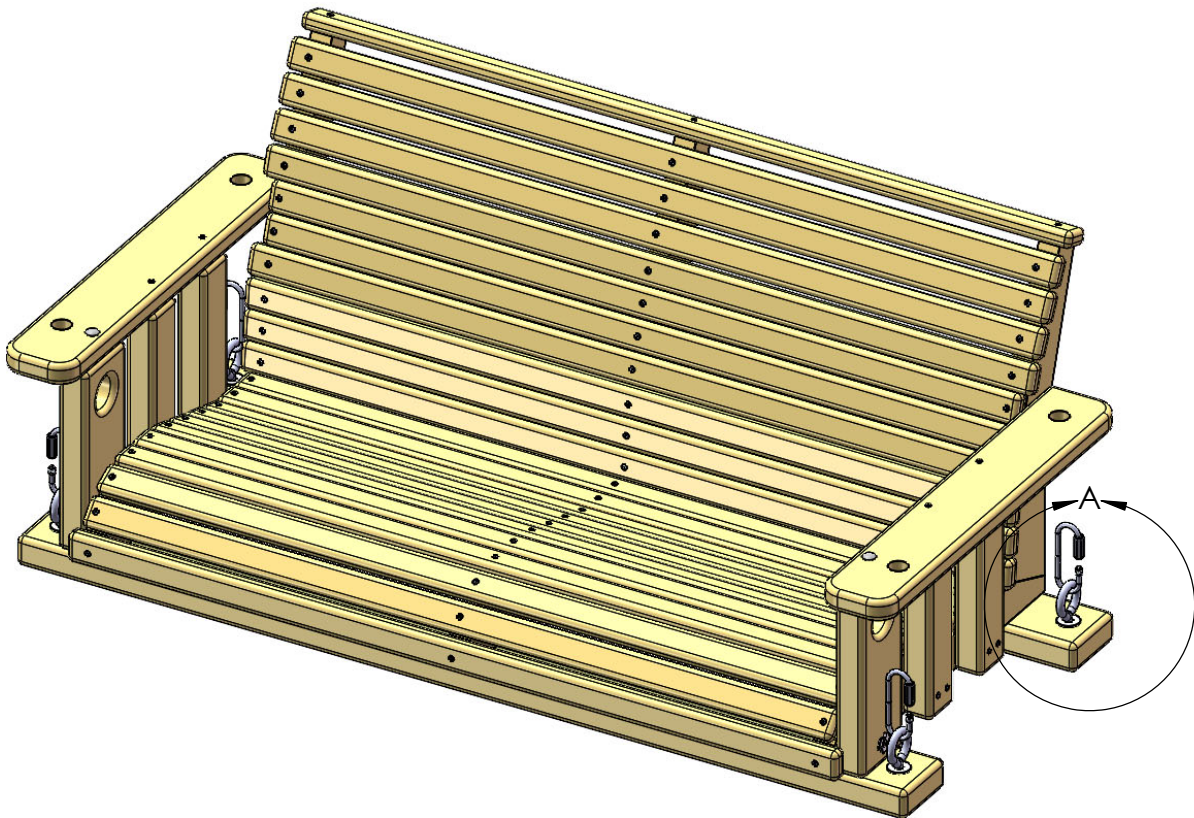
## STEP 80: QUICK LINKS

1: OPEN THE FOUR QUICK LINKS BY UNSCREWING THE NUT PORTION.

2: INSTALL A QUICK LINK ON ALL FOUR EYE BOLTS AS SHOWN. WITH THE OPEN SIDE FACING OUT.

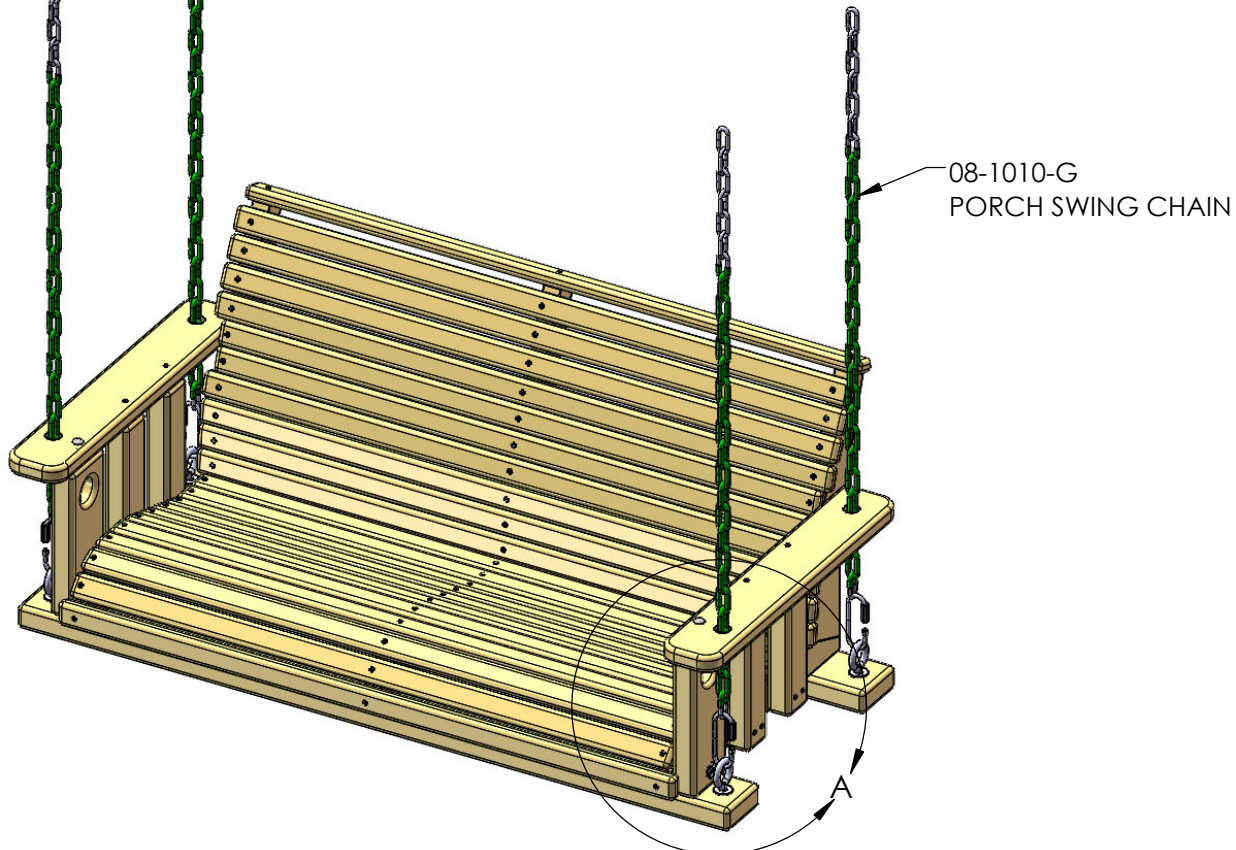
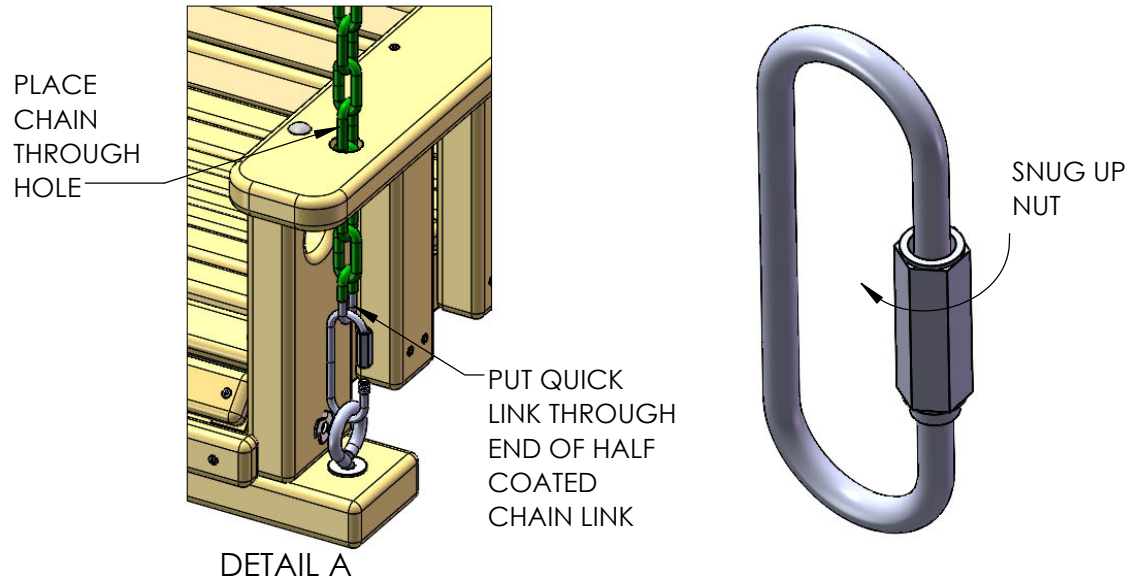


DETAIL A



## STEP 81: CHAINS

- 1: PLACE THE HALF COATED CHAIN LINK ON THE CHAIN THROUGH THE HOLE IN THE ARMREST.
- 2: PUT THE QUICK LINK THROUGH THE HALF COATED CHAIN LINK.
- 3: USE AN ADJUSTABLE WRENCH TO SNUG THE NUT UP ON THE QUICK LINK.
- 4: REPEAT SUBSTEPS 1 THROUGH 3 FOR THE REMAINING 3 CHAINS.

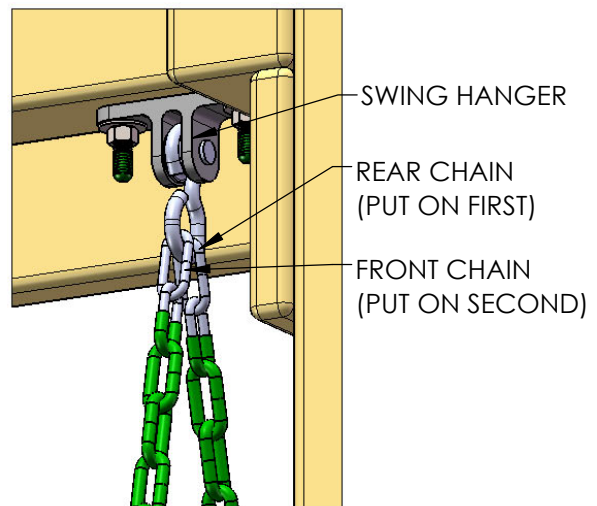
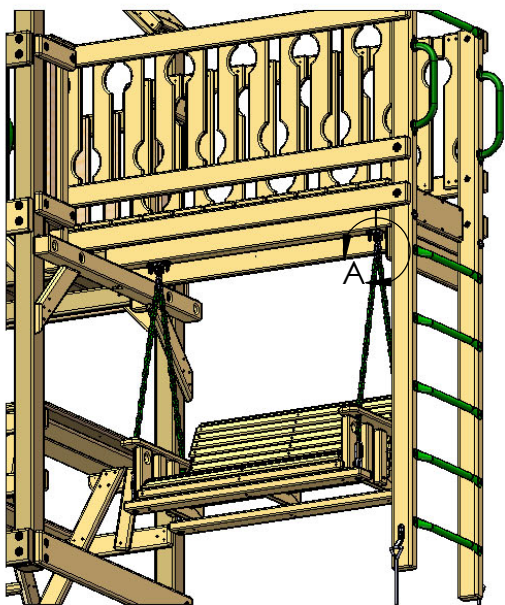
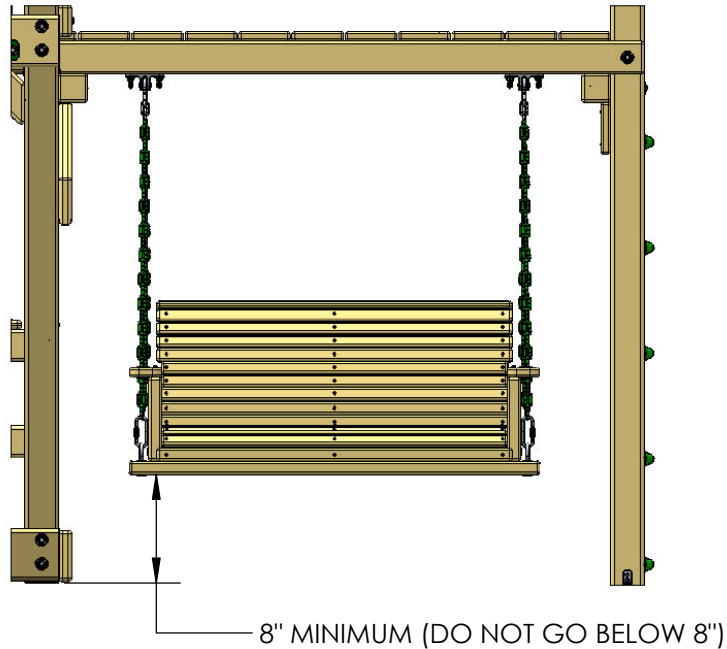


## STEP 82: CHAINS TO SWING HANGERS

1: PLACE THE REAR SWING CHAINS ON THE SWING HANGERS AND THEN THE FRONT SWING CHAINS.

2: ADJUST THE CHAINS UP OR DOWN ON THE SWING HANGERS TO SUIT THE HEIGHT OF YOUR CHILD. OBSERVE THE 8" MINIMUM DISTANCE AS SHOWN BELOW.

**! TEACH CHILDREN NOT TO PUSH THE SWING WHILE IT IS EMPTY OR TO SWING IT HARSHLY WITH OCCUPANTS. !**  
**FAILURE TO HEED THIS WARNING COULD RESULT IN INJURY OR WORSE.**



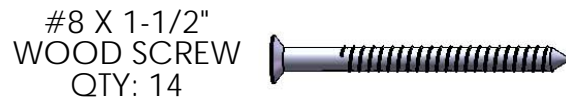
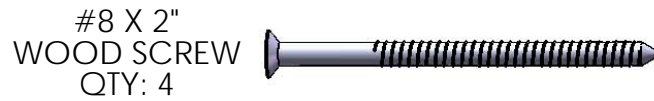
DETAIL A

# APPENDIX

Chimney and Dormers

Hardware Kit

8/10/2015 JH



#2 SQUARE  
DRIVE BIT  
QTY: 1

9

8

7

6

5

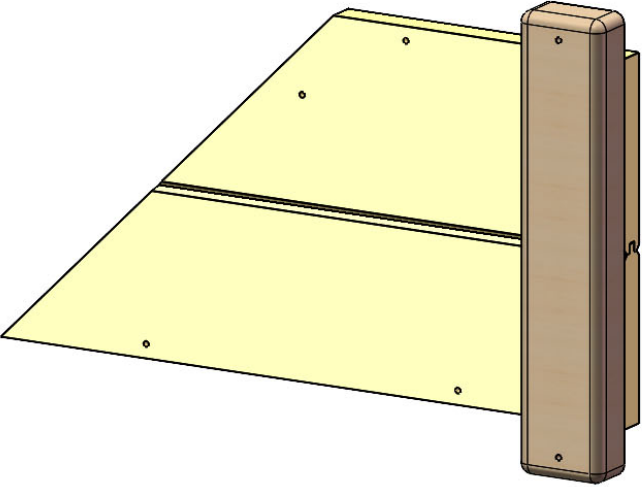
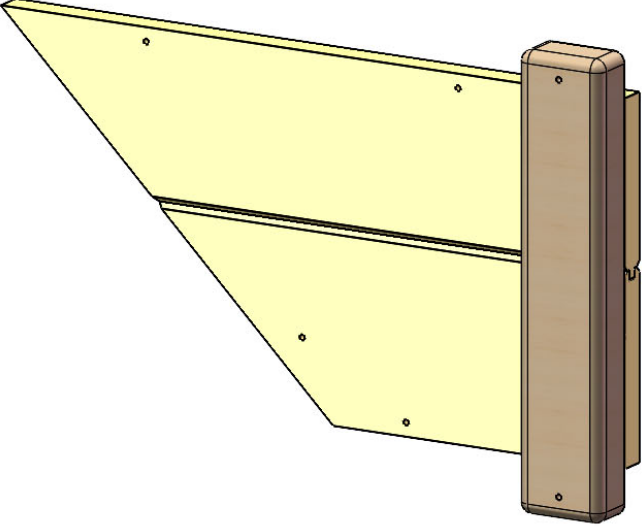
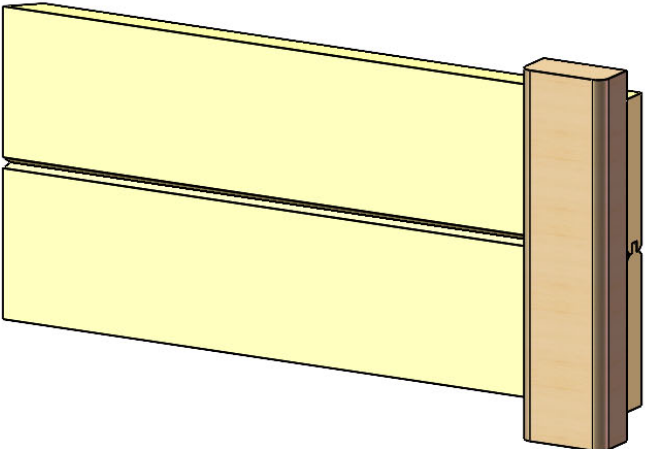
4

3

2

1

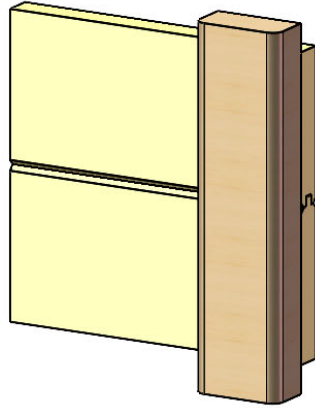
USE THE RULER TO THE RIGHT TO MEASURE YOUR BOLTS AND SCREWS. PICTURE VIEWS SHOWN ABOVE ARE 1:1 SCALE AND CAN BE USED TO MATCH BOLT AND SCREW SIZES.

PICTURE	DESCRIPTION	QTY.
	<p>CHIMNEY LEFT SIDE ASSEMBLY 2-10-1500-CLS</p>	<p>1</p>
	<p>CHIMNEY RIGHT SIDE ASSEMBLY 2-10-1500-CRS</p>	<p>1</p>
	<p>CHIMNEY FRONT ASSEMBLY 2-8-1500-CFA</p>	<p>1</p>

PICTURE

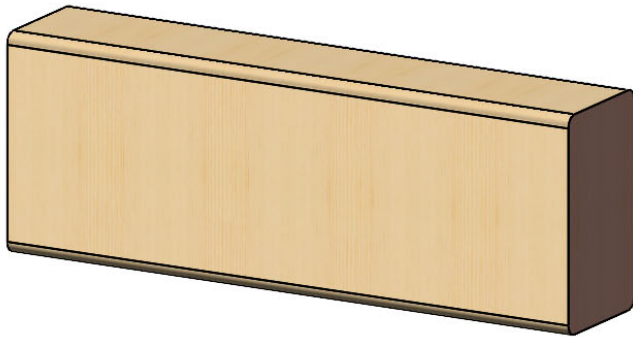
DESCRIPTION

QTY.



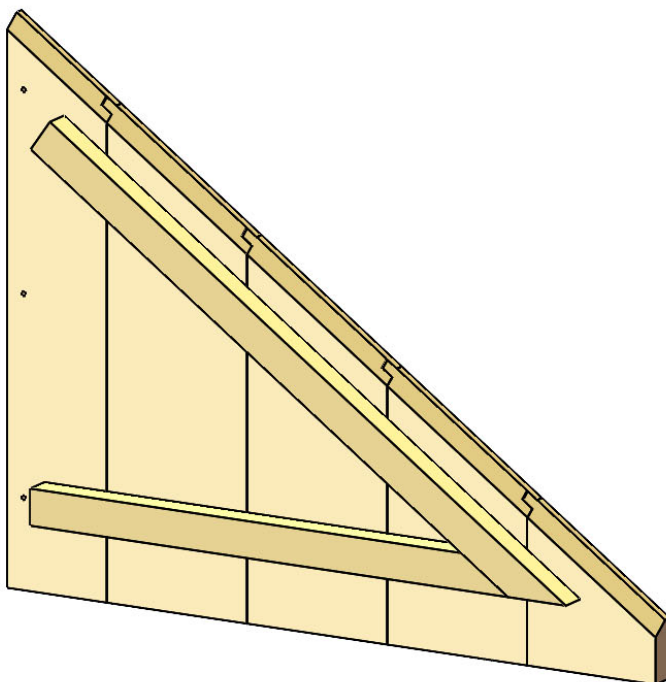
CHIMNEY REAR  
ASSEMBLY  
2-8-0700-CRA

1



5/4X3X6-3/4"  
CHIMNEY  
MOUNTING  
BLOCK  
2-3-0675-CMB

1



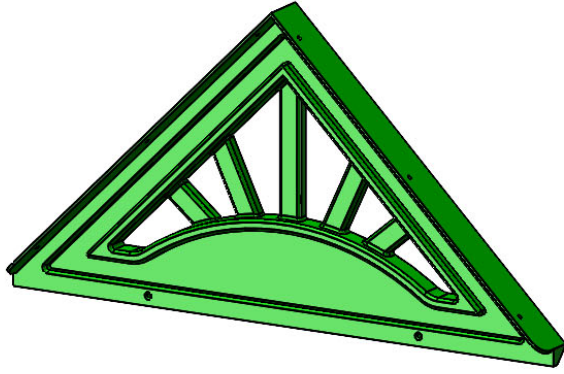
DORMER  
LEFT SIDE  
ASSEMBLY  
2-15-1950-LA

2

PICTURE

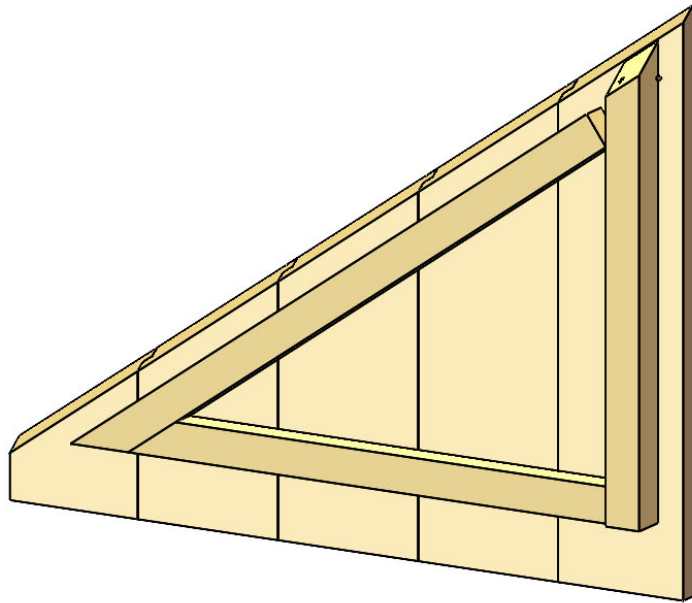
DESCRIPTION

QTY.



PLASTIC  
DORMER  
SUNBURST  
(07-0031)

2

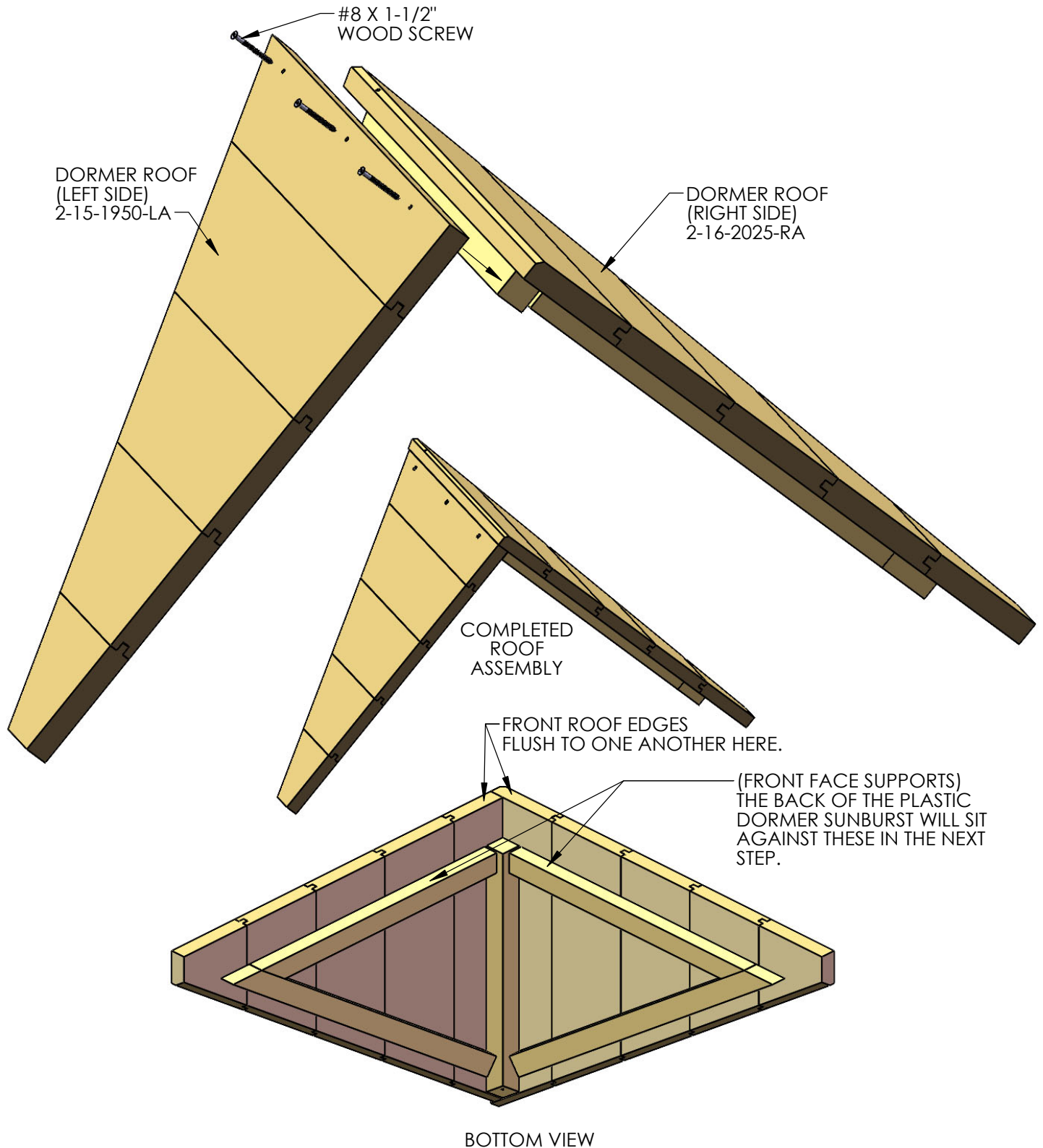


DORMER  
RIGHT SIDE  
ASSEMBLY  
2-16-2025-RA

2

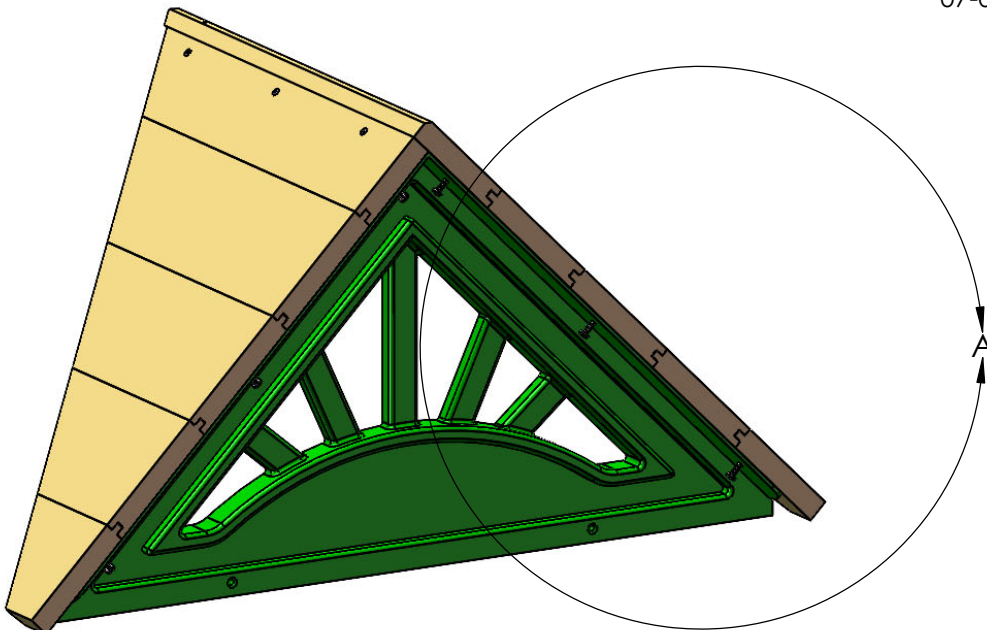
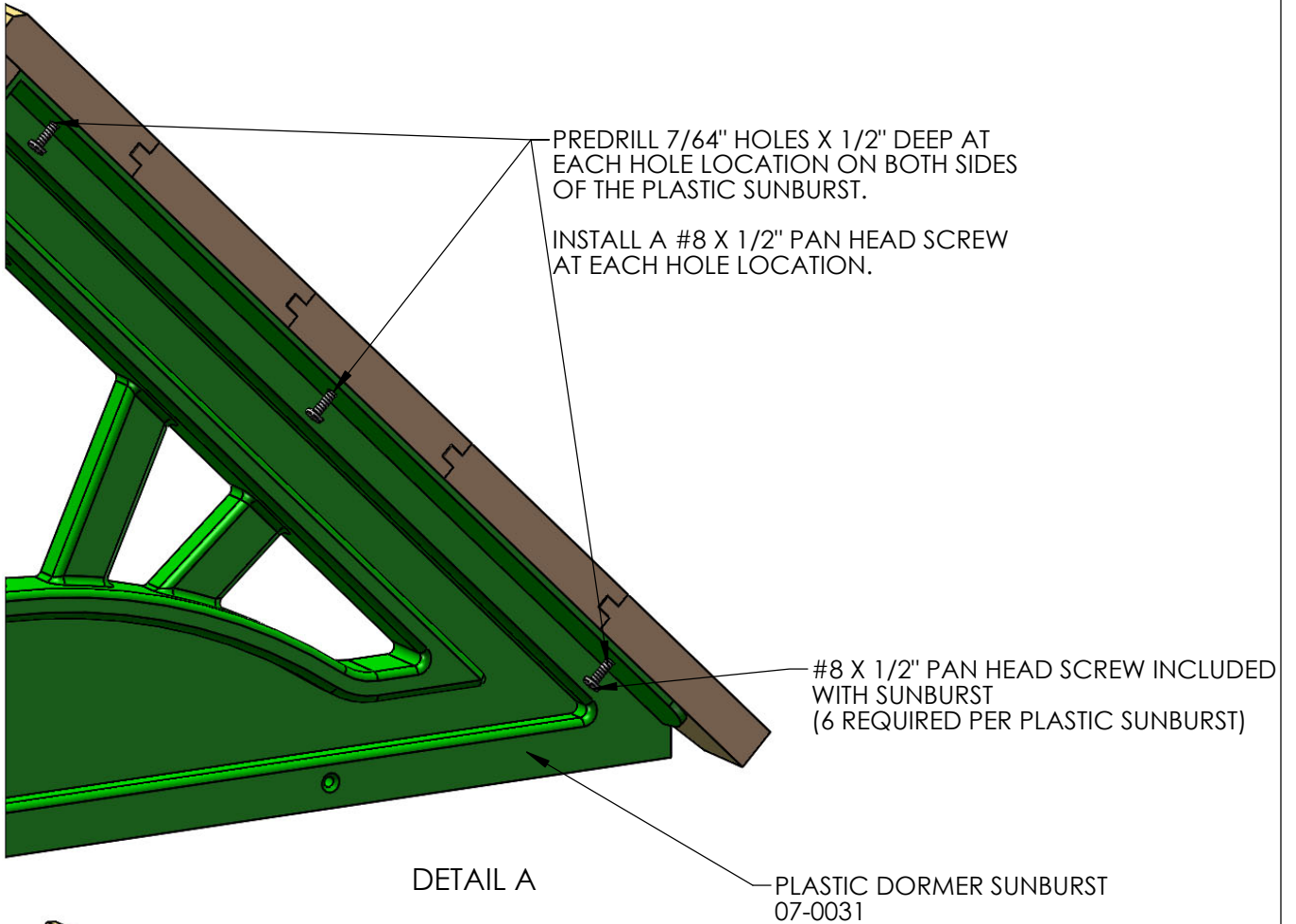
# STEP 1: DORMER

- 1: OVERLAP THE LEFT DORMER SIDE ONTO THE PEAK SUPPORT OF THE RIGHT DORMER SIDE.
  - 2: MAKE SURE THE FRONT ROOF EDGES ARE FLUSH TO ONE ANOTHER
  - 3: FASTEN THE LEFT DORMER SIDE TO THE PEAK SUPPORT WITH #8 X 1-1/2" WOOD SCREWS.
- REPEAT SUBSTEPS 1-3 TO CONSTRUCT ANOTHER ROOF ASSEMBLY.



## STEP 2: DORMER

- 1: PLACE THE PLASTIC DORMER SUNBURST AGAINST THE FRONT FACE SUPPORT ON THE LEFT AND RIGHT ROOF SIDES.
  - 2: PREDRILL  $7/64$ " PILOT HOLES BY  $1/2$ " DEEP INTO THE ROOF SIDES AT EACH HOLE LOCATION.
  - 3: INSTALL #8 X  $1/2$ " PAN HEAD SCREWS TO FASTEN THE SUNBURST TO THE ROOF SIDES.
- REPEAT SUBSTEPS 1 THROUGH 3 TO CONSTRUCT THE SECOND DORMER.



## STEP 3: DORMER

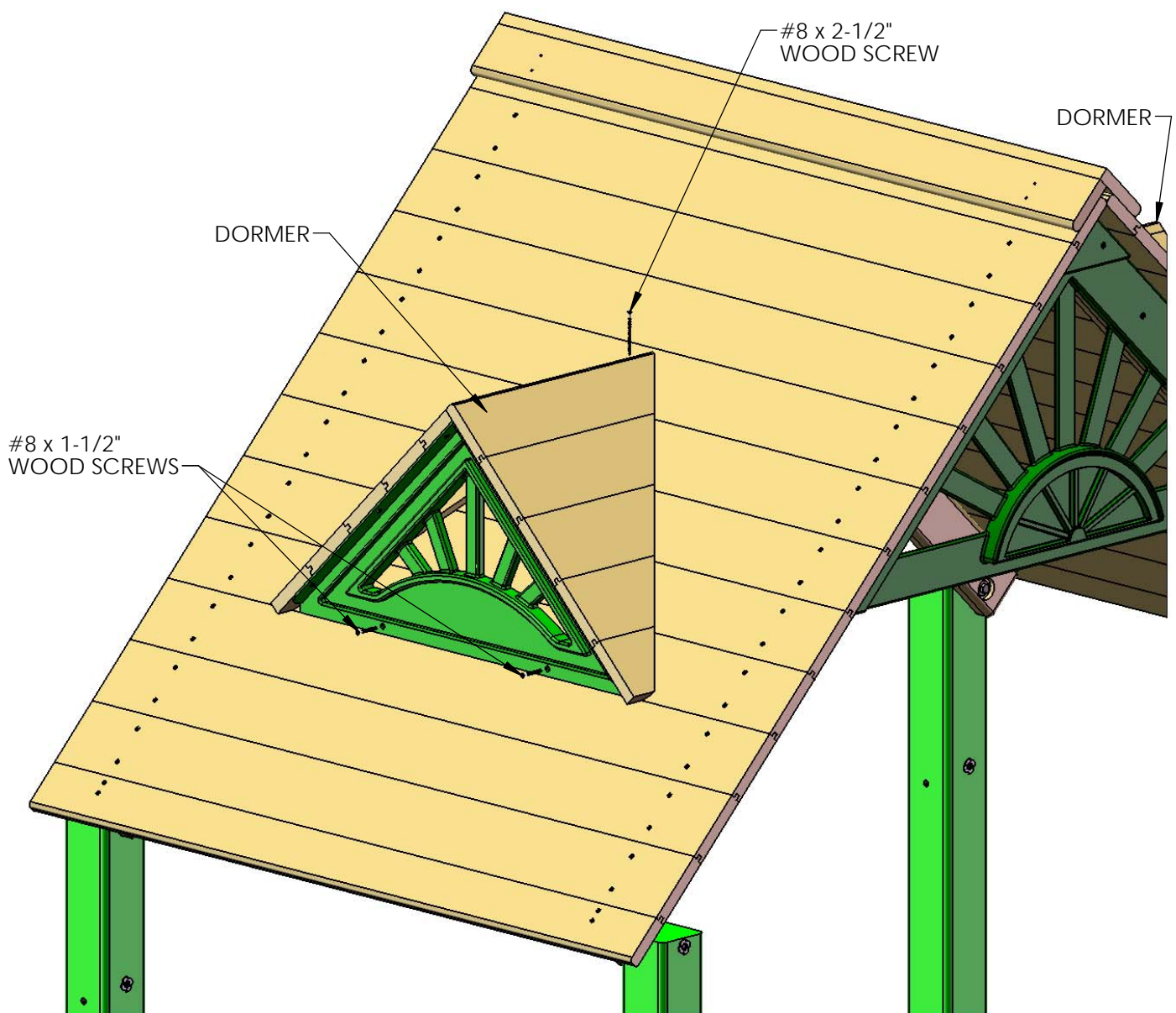
1: PLACE THE DORMER ASSEMBLY ON THE ROOF AS SHOWN.

2: FOR 1500 SERIES UNITS LINE UP THE BOTTOM EDGE OF THE PLASTIC SUNBURST WITH THE LOWER EDGE OF THE 8TH ROOF BOARD.

3: CENTER THE DORMER FROM SIDE TO SIDE ON TOP OF THE ROOF.

4: ATTACH THE DORMER TO THE ROOF WITH ONE #8 X 2-1/2" WOOD SCREW AT THE REAR PEAK OF THE ROOF. ATTACH THE DORMER SUNBURST TO THE ROOF WITH TWO #8 X 1-1/2" WOOD SCREWS.

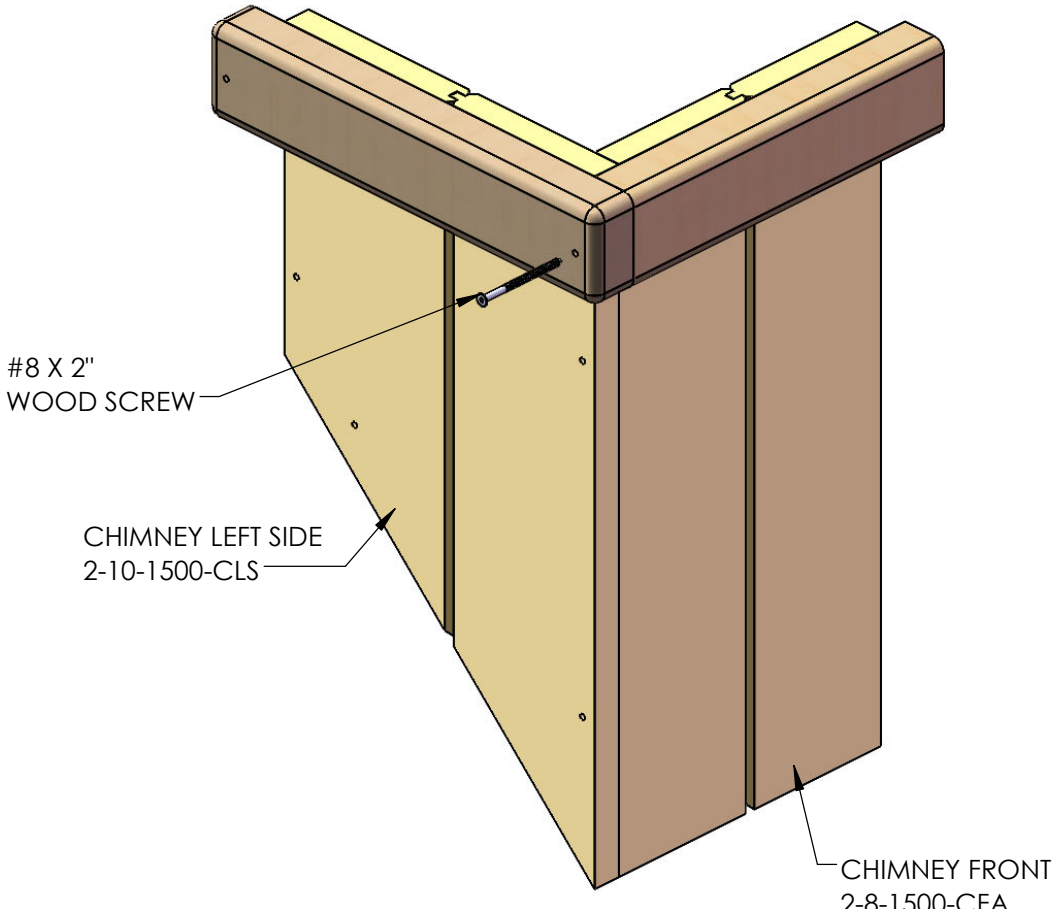
REPEAT SUBSTEPS 1 THROUGH 4 FOR THE DORMER ON THE OTHER SIDE OF THE ROOF.



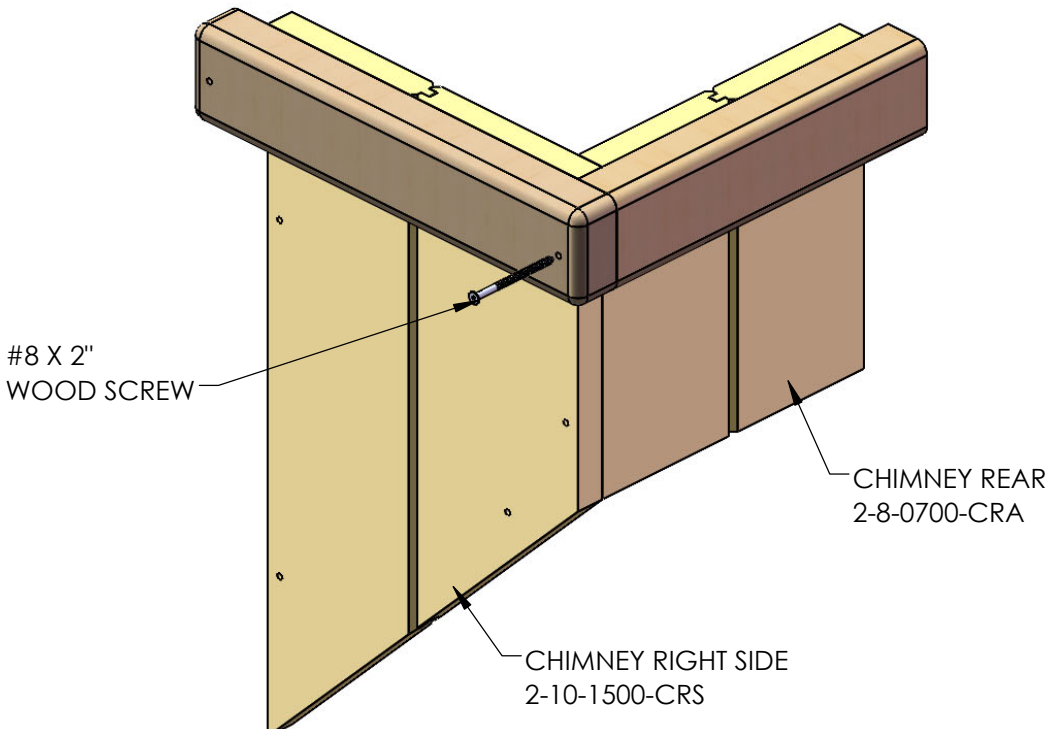
THE UNIT SHOWN ABOVE MAY NOT BE YOUR EXACT PLAY SET.  
SHOWN FOR ILLUSTRATION PURPOSES ONLY.

# STEP 4: CHIMNEY

- 1: FIND THE FRONT AND LEFT SIDE OF THE CHIMNEY.
- 2: ATTACH THE FRONT AND LEFT SIDES OF THE CHIMNEY WITH A #8 X 2" WOOD SCREW.

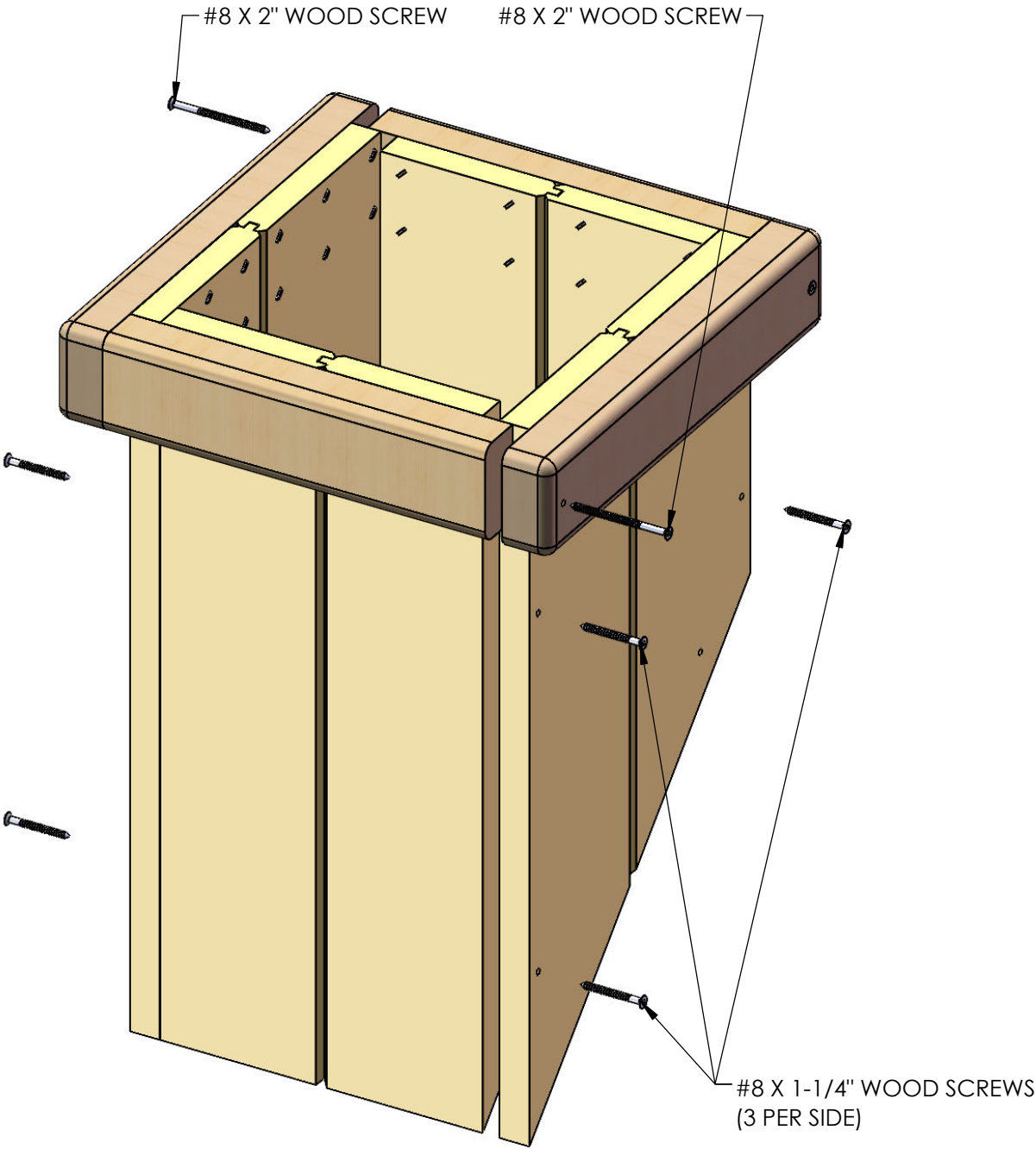


- 1: FIND THE REAR AND RIGHT SIDE OF THE CHIMNEY.
- 2: ATTACH THE REAR AND RIGHT SIDES OF THE CHIMNEY WITH A 2" WOOD SCREW.



# STEP 5: CHIMNEY

1: ATTACH THE CHIMNEY SIDES FROM THE PREVIOUS SIDES TO FORM THE CHIMNEY WITH 2" AND 1-1/4" WOOD SCREWS.

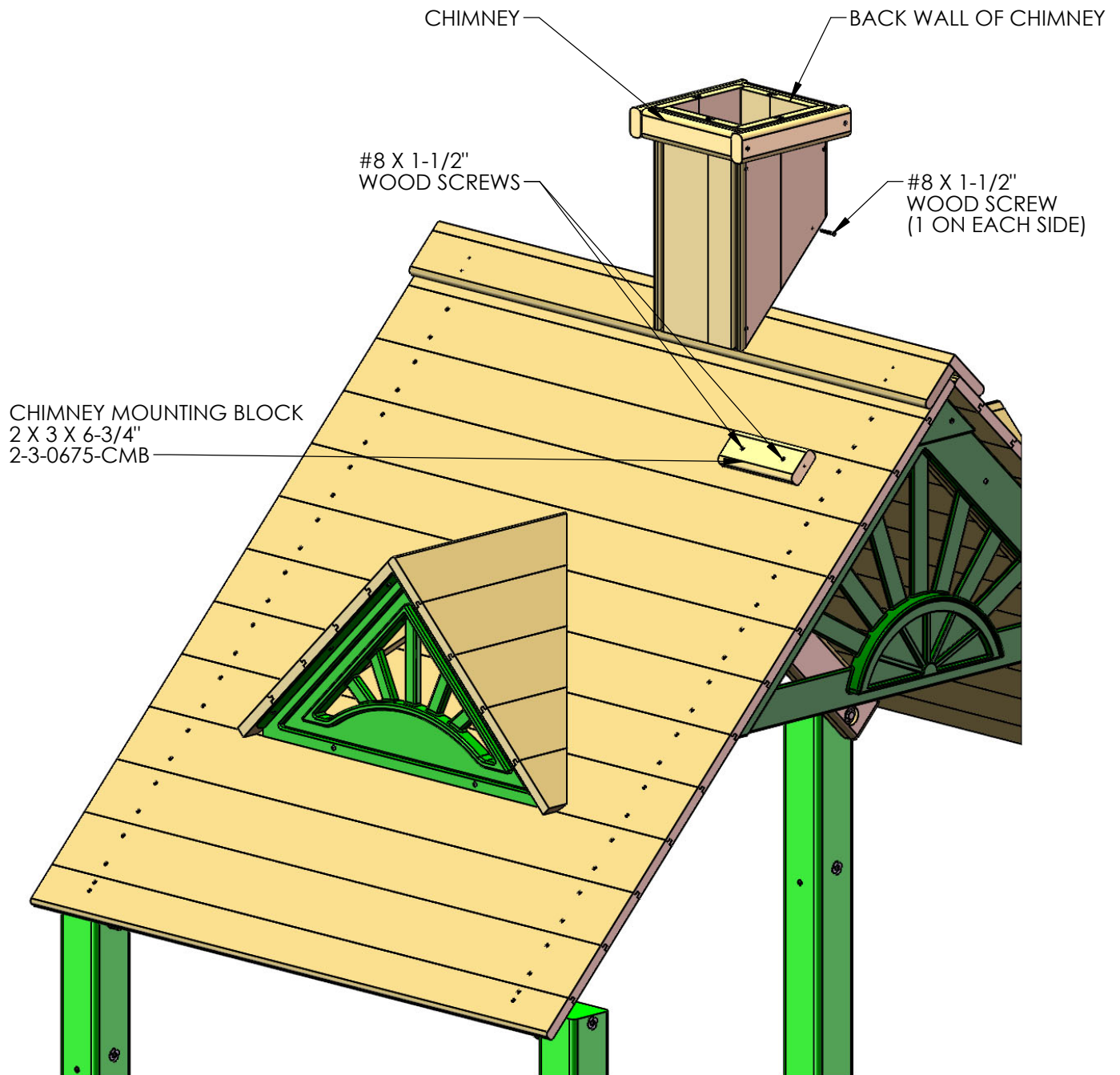


## STEP 6: CHIMNEY

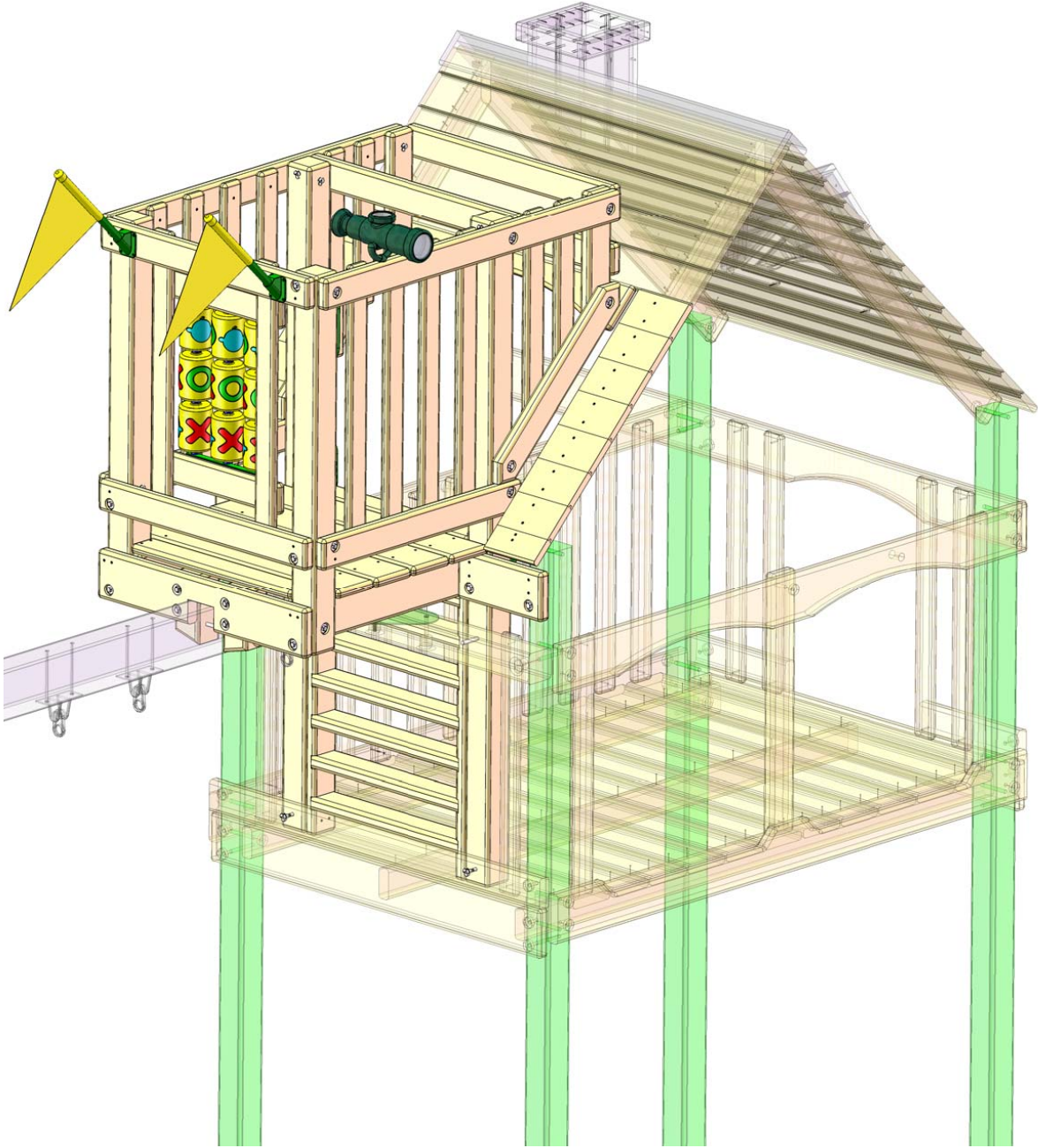
1: FASTEN THE 5/4 X 3 X 6-3/4" CHIMNEY MOUNTING BLOCK TO THE ROOF WITH #8 X 1-1/2" WOOD SCREWS. YOU CAN PLACE THE BLOCK AT ANY DESIRED PLACE ON THE ROOF. USE THE DIAGRAM BELOW AS A GUIDE FOR A SUGGESTED PLACE TO MOUNT THE CHIMNEY.

2: AFTER INSTALLING THE CHIMNEY MOUNTING BLOCK PLACE THE CHIMNEY ASSEMBLY ON THE ROOF SO THAT THE INSIDE OF THE BACK WALL RESTS AGAINST THE BLOCK.

3: FASTEN THE CHIMNEY TO THE CHIMNEY MOUNTING BLOCK WITH A #8 X 1-1/2" WOOD SCREW IN EACH SIDE.



THE ABOVE UNIT MAY NOT BE YOUR EXACT PLAY SET.  
SHOWN FOR ILLUSTRATION PURPOSES ONLY.



**Model: 1542**

(BOXES: 1542 wood box,  
1542 accessory box)

REV: 3.10.2019

# TABLE OF CONTENTS

Safety Guidelines.....	Pages 3-6
Leveling Fort, General Information and Definitions.....	Pages 6-9
How to Install T-nuts, Board Identification, Predrill Lag screw Directions and Swing Beam Loading.....	Pages 10-14
Site Plan, Required Tool List and Kit Contents.....	Pages 15-16
Hardware, Lumber and Accessory Checklists.....	Pages 17-23
Deck Frame.....	Step 1
Deck Spacers.....	Step 2
Corner Posts.....	Step 3
Braces.....	Step 4
Attaching Braces to Deck Frame.....	Step 5
Mounting Platform to Swing Beam.....	Step 5A
Support Posts.....	Step 6
Ladder Assembly and Installation.....	Steps 7-8
Securing Sky Loft to Playset Fort.....	Steps 9-9A
Deck Boards.....	Step 10
Panel Supports, Front Panel Assembly and Bottom Panel Board.....	Steps 11-13
Panel Slats and Connector Boards.....	Steps 14-15
Playset and Skyloft Wood Roof.....	Steps 16-17
Tic Tac Toe Assembly and Installation.....	Steps 17A-17B
Accessories.....	Step 18
Panel Slats at Deck.....	Step 19
Grab Handles.....	Step 20
Swing Beam to Swing Leg Assembly and Leveling.....	Steps 21-23

**PLEASE READ OWNER'S MANUAL CAREFULLY  
BEFORE STARTING ASSEMBLY!**

# Safety and Maintenance Tips for Your New Play Set:

**NOTE: Your children's safety is our #1 concern. Observing the following statements and warnings reduces the likelihood of serious or fatal injury. Please review these safety rules regularly with your children.**

- This 1542 Add On Kit is designed for the use of 2 occupants who have a combined weight not to exceed 125 pounds on the elevated deck.
- On-site adult supervision is required.
- Teach children not to walk close to, in front of, behind, or between moving swings or other moving playground equipment.
- Teach children to sit in and never stand on swings
- Teach children not to twist the chains and ropes and not to loop them over the swing beam, since this may reduce the strength of the chain or rope.
- Teach children not to jump from swings or other playground equipment in motion.
- Teach children not to push empty seats. The seat may hit them and cause serious injury.
- Teach children to sit in the center of the swings with their full weight on the seats.
- Teach children not to use the equipment in a manner other than intended.
- Teach children to always go down slides feet first. Never slide headfirst.
- Teach children to look before they slide to make sure no one is at the bottom.
- Teach children to never run up a slide, as this increases their chances of falling.
- The parents should have the children dress appropriately with well-fitting shoes. No clogs, flip-flops, or sandals are allowed. Loose clothing such as scarves, ponchos or capes should not be worn. Always take off, tie up or tuck in cords and drawstrings on children's clothing. These things can get caught on playground equipment and strangle a child.
- Teach children not to climb when the equipment is wet.
- Teach children to never jump from a fort deck. They should always use the ladder, ramp or slide.
- Teach children to never crawl or walk across the top of monkey bars or swing beam.
- Teach children to never crawl on top of a fort roof or on the outside of a tube slide.
- Verify that any suspended climbing ropes, chains, or cables are secured at both ends and that they cannot be looped back onto itself.
- Teach children not to attach items to the playground equipment that are not specifically designed for use with the equipment, such as, but not limited to, jump ropes, clothesline, pet leashes, cables and chain as they may cause a strangulation hazard.
- Teach children to never wrap their legs around swing chain.
- Teach children to never slide down the swing chain.
- Teach children to remove their bike or other sports helmet before playing on the playground equipment.
- Teach children to NEVER look at the sun or other bright light through any accessory such as but not limited to a telescope, periscope or binoculars.
- Never add extra length to chain or rope. The chains or ropes provided are the maximum length designed for the swings.

**WARNING: Children must NOT use this play set until it has been completely assembled and inspected by an adult to insure it has been properly installed and the swing beam legs are anchored.**

# Safety and Maintenance Tips for Your New Play Set: (continued)

Playgrounds should be inspected on a regular basis. If any of the following conditions are noted, they should be removed, corrected or repaired immediately to prevent injuries.

- Hardware that is loose, worn or that has protrusions or projections.
- Exposed equipment footings.
- Scattered debris, litter, rocks, or tree roots.
- Splinters, large cracks and decayed wood components.
- Deterioration and corrosion on structural components, which connect to the ground.
- Swing chains, rings, ropes, etcetera should always be fastened to a rotating swing hanger. NEVER attach a chain, ring, rope, etcetera to a stationary hanger such as but not limited to an eye bolt. Severe wear could occur leading to an injury.
- Missing or damaged equipment conditions, such as but not limited to handholds, guardrails or swing seats.

## **At the beginning of each play season:**

- Owners shall be responsible for maintaining the legibility of all warning labels. Replace as required.
- Tighten all hardware. (But not so tight that you crack the wood.)
- Oil all metallic moving parts.
- Check all protective coverings on bolts, pipes, edges and corners. Replace if they are loose, cracked or missing.
- Check all moving parts including swing seats, ropes, cables and chains for wear, rust, or other deterioration. Replace as needed. Replacement should be made of any swing seat that has developed cracks in the plastic seat.
- Check metal parts for rust. If found, sand and repaint using a nonlead-based paint meeting the requirements of 16 C.F.R. 1303. These requirements are available at: <http://www.cpsc.gov/>
- Check all wood members for deterioration and splinters. Sand down splinters and replace deteriorating wood members. Once or twice a year, depending on your climate conditions, you must apply some type of protection (sealant) to the wood or your play set. Please note this is a requirement of your warranty.
- Reinstall any plastic parts, such as swing seats or any other items that were removed for the cold season.
- Rake and check depth of loose fill protective surfacing materials to prevent compaction and to maintain appropriate depth. Replace as necessary.
- Creating and maintaining the play set on a level location is very important. As your children play, your play set will slowly dig its way into the soil, and it is very important that it settles evenly. Make sure the play set is level and true.

## **Twice a month during play season:**

- Tighten all hardware. (But not so tight that you crack the wood.)
- Check all protective coverings on bolts, pipes, edges and corners. Replace if they are loose, cracked or missing.
- Rake and check depth of loose fill protective surfacing materials to prevent compaction and to maintain appropriate depth. Replace as necessary.

## **Once a month during play season:**

- Oil all metallic moving parts.
- Check all moving parts including swing seats, ropes, cables and chains for wear, rust, or other deterioration. Replace as needed. Replacement should be made of any swing seat that has developed cracks in the plastic seat.

## **At the end of each play season or when the temperature drops below 32°F:**

- Remove plastic swing seats and take indoors or do not use.
- Rake and check depth of loose fill protective surfacing materials to prevent compaction and to maintain appropriate depth. Replace as necessary.

## **Disposal Instructions:**

When the playset is no longer desired or when it reaches the end of its lifetime it should be disassembled and disposed of in such a way that no unreasonable hazard will exist at the time the playset is discarded.

# PLAYGROUND SURFACING MATERIALS

## SECTION 4 OF THE CONSUMER PRODUCT SAFETY COMMISSION'S OUTDOOR HOME PLAYGROUND SAFETY HANDBOOK<sup>9</sup>

### Select Protective Surfacing

One of the most important things you can do to reduce the likelihood of serious head injuries is to install shock-absorbing protective surfacing under and around your play equipment. The protective surfacing should be applied to a depth that is suitable for the equipment height in accordance with ASTM Specification F 1292. There are different types of surfacing to choose from; whichever product you select, follow these guidelines:

**NOTE:** Do not install home playground equipment over concrete, asphalt, or any other hard surface. A fall onto a hard surface can result in serious injury to the equipment user. Grass and dirt are not considered protective surfacing because wear and environmental factors can reduce their shock absorbing effectiveness. Carpeting and thin mats are generally not adequate protective surfacing. Ground level equipment – such as a sandbox, activity wall, playhouse or other equipment that has no elevated play surface – does not need any protective surfacing.

### Loose-Fill Materials:

- Maintain a minimum depth of 9 inches of loose-fill materials such as wood mulch/chips, engineered wood fiber (EWF), or shredded/recycled rubber mulch for equipment up to 8 feet high; and 9 inches of sand or pea gravel for equipment up to 5 feet high. NOTE: An initial fill level of 12 inches will compress to about a 9-inch depth of surfacing over time. The surfacing will also compact, displace, and settle, and should be periodically refilled to maintain at least a 9-inch depth.
- Use a minimum of 6 inches of protective surfacing for play equipment less than 4 feet in height. If maintained properly, this should be adequate. (At depths less than 6 inches, the protective material is too easily displaced or compacted.)
- Use containment, such as digging out around the perimeter and/or lining the perimeter with landscape edging. Don't forget to account for water drainage. U.S. Consumer Product Safety Commission, Washington, D.C., 20207 or call the toll-free hotline :1-800-638-2772
- Check and maintain the depth of the loose-fill surfacing material. To maintain the right amount of loose-fill materials, mark the correct level on play equipment support posts. That way you can easily see when to replenish and/or redistribute the surfacing.
- Do not** install loose fill surfacing over hard surfaces such as concrete or asphalt.

### Poured-In-Place Surfaces or Pre-Manufactured Rubber Tiles:

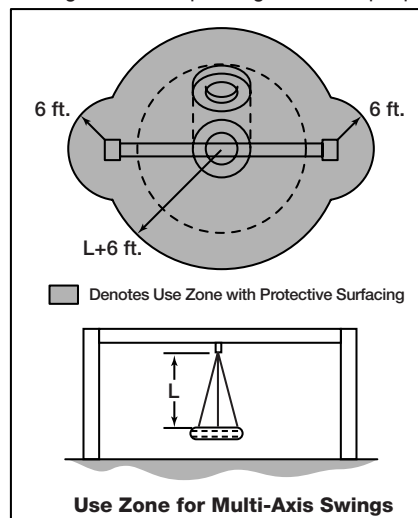
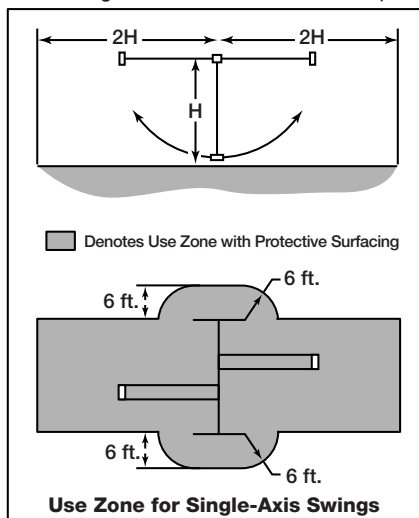
You may be interested in using surfacing other than loose-fill materials – like rubber tiles or poured-in-place surfaces.

- Installations of these surfaces generally require a professional and are not "do-it-yourself" projects.
- Review surface specifications before purchasing this type of surfacing. Ask the installer/manufacturer for a report showing that the product has been tested to the following safety standard: ASTM F 1292 Standard Specification for Impact Attenuation of Surfacing Materials within the Use Zone of Playground Equipment. This report should show the specific height for which the surface is intended to protect against serious head injury. This height should be equal to or greater than the fall height – vertical distance between a designated play surface (elevated surface for standing, sitting, or climbing) and the protective surfacing below – of your play equipment.
- Check the protective surfacing frequently for wear.

### Placement

Proper placement and maintenance of protective surfacing is essential. Be sure to

- Extend surfacing at least 6 feet from the equipment in all directions.
- For to-fro swings, extend protective surfacing in front of and behind the swing to a distance equal to twice the height of the top bar from which the swing is suspended.
- For tire swings, extend surfacing in a circle whose radius is equal to the height of the suspending chain or rope, plus 6 feet in all directions.



<sup>9</sup> This information has been extracted from the CPSC publications "Playground Surfacing—Technical Information Guide" and "Handbook for Public Playground Safety." Copies of these reports can be obtained by sending a postcard to the: Office of Public Affairs, U.S. Consumer Product Safety Commission, Washington, D.C., 20207 or call the toll-free hotline: 1-800-638-2772

# Play Set Surfacing Recommendations:

Below are some of the recommendations that the U.S. Consumer Product Safety Commission (CPSC) offers from its Handbook for Public Playground Safety. The guide can be downloaded in full at [www.cpsc.gov/PageFiles/122149/325.pdf](http://www.cpsc.gov/PageFiles/122149/325.pdf)

**1. Protective Surfacing** - Since almost 60% of all injuries are caused by falls to the ground, protective surfacing under and around all playground equipment is the most critical safety factor on playgrounds.

Certain manufactured synthetic surfaces also are acceptable; however, test data on shock absorbing performance should be requested from the manufacturer.

Asphalt and concrete are unacceptable. They do not have any shock absorbing properties. Similarly, grass and turf should not be used. Their ability to absorb shock during a fall can be reduced considerably through wear and environmental conditions.

Certain loose-fill surfacing materials are acceptable. Surfacing materials are acceptable, such as the types and depths shown in the table.

## Fall Heights and Materials

Type Of Material	6 in. depth	9 in. depth	12 in. depth
Double-Shredded bark mulch	6' Fall Height	10' Fall Height	11' Fall Height
Wood Chips	6' Fall Height	7' Fall Height	12' Fall Height
Fine Sand	5' Fall Height	5' Fall Height	9' Fall Height
Shredded Tires*	10-12' Fall Height	N/A	N/A
Fine Gravel	6' Fall Height	7' Fall Height	10' Fall Height

\*This data is from tests conducted by independent testing laboratories on a 6-inch depth of uncompressed shredded tire samples produced by four manufacturers. The tests reported critical heights, which varied from 10 feet to greater than 12 feet. It is recommended that persons seeking to install shredded tires as a protective surface request test data from the supplier showing the critical height of the material when it was tested in accordance with ASTM F1292.

*It should be recognized that all injuries due to falls cannot be prevented no matter what surfacing material is used.*

**2. Fall Zones** - A fall zone, covered with a protective surfacing material, is essential under and around equipment where a child might fall. This area should be free of other equipment and obstacles onto which a child might fall. Stationary climbing equipment and slides should have a fall zone extending a Minimum of 6' in all directions from the perimeter of the equipment.

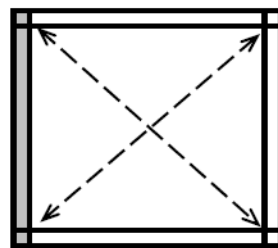
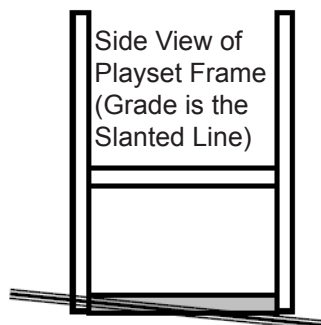
Swings should have a fall zone extending a minimum of 6' from the outer edge of the support structure on each side. The fall zone in front and back of the swing should extend out a minimum distance of twice the height of the swing as measured from the ground to the top of the swing support structure.

## LEVELING YOUR FORT DURING ASSEMBLY

- Complete the steps which will be the basic frame of the fort. {i.e. four corner posts with base (sand box boards) and deck supports}
- Position in the most level area chosen for the play set, keeping in mind the location and size of the swing beam, ladder, slides, etc. that extend off the fort.
- Once the frame is in the final position, check for vertical and horizontal levelness to determine which side(s) will need to be dug into the ground to level the play set.
- With a shovel, score the ground around the outside edges of the sandbox boards on the 'high' side of the fort. This is the area that will be dug in. Make sure to score deep enough; the scored lines will be your digging template.
- Push the frame off and away from the scored area, far enough to dig and remove dirt to reach the appropriate depth.
- Dig a channel along the scored line(s) for the base of the fort (corner post and sandbox boards) to rest into. Dig the channel(s) to the same level depth. The bottom of the channel(s) should be level to each other so your frame doesn't teeter or rock because the channel(s) are uneven.
- Once you have removed enough grass and dirt, slide/push the frame into the channel(s). Place a level on the vertical and horizontal boards of the frame to determine if enough soil, or too much, was removed.
- Repeat this process until the basic frame is plumb and level and in its final position before completing the rest of the assembly.
- Measure to make sure fort is square.

**Important: if you require a channel depth of more than 6", then we recommend you have your play set area professionally graded before completing assembly.**

*Example Play area:*



The diagonal measurements should be the same from corner post to corner post. If not, adjust corner posts so that the distance is equal.

■ = Area to be scored and channeled for levelness

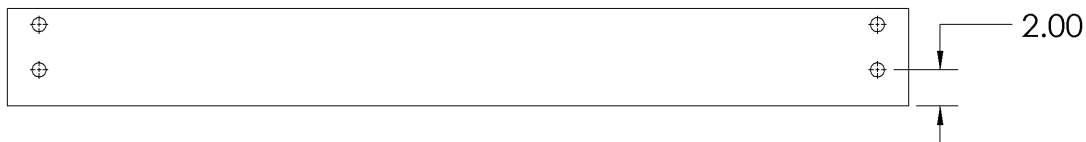
# General Info to Review Before Installation

- Depending on your experience, assembly of the playset can take as little as 6 hours up to 24 hours, depending on size, after inventory of parts; therefore, we recommend you set aside a full two days for assembly.
- Identify all of the parts for your play set. Empty each box and lay out boards so you can see each part. Your instruction book will have detailed drawings that will make it easy for you to recognize individual parts. Keep all hardware and metal parts separate from wooden pieces.
- After everything is laid out, check carefully to ensure all parts are present. Make sure there are no broken boards.
- Find an area to sort your hardware. It is best to open the hardware on a solid surface so that you do not lose any pieces in the grass. This will save time and familiarize you with all the different pieces in the hardware bag.
- Important note: Wood has some natural defects such as knots, surface cracks, etc... We reject parts that are structurally defective. We use a high quality lumber in our structures; however, you should inspect each part for splinters or rough spots and sand them smooth to prevent injury.
- After familiarizing yourself with all of the components, read all instructions thoroughly. Reading instructions after you have studied the parts will help you understand the installation process, and help to eliminate unnecessary mistakes.
- Pay close attention to the diameter and length of each bolt and screw.
- Never tighten hardware completely at first. It helps to have some adjustment for bolt alignment while you are attaching parts together. After everything is square, tighten each joint.
- After the main unit is assembled it is critical that the floor is level and square. If the main frame is not level, the walls and floor will be out of square.
- After you complete installation, make sure every bolt, screw, and nut is tight, and every board is secure. Wood will expand and contract with the seasons.
- Place the set on level ground, not less than 6 feet from any structure or obstruction such as a fence, garage, house, overhanging branches, laundry lines, or electrical wires.

**This page is a list of definitions and explanations used throughout our instructions to aid you in the assembly of your play set.**

**Offset Holes-** Throughout the installation procedures we will refer to parts with offset holes. This refers to the orientation of the holes on the board. An offset hole is one that is closer to one side than it is the other or in other words, it is not centered on the board. In the procedures you will be instructed to attach the boards with the holes offset up or with the holes offset down. This refers to which side of the board the hole/holes should be closer to. Offset holes up= hole/holes will be closer to the top of the board. Offset holes down= hole/holes will be closer to the bottom of the board. Note: some parts do not have offset holes, but instead the holes are on center. Therefore there will not be any reference on how to offset these parts.

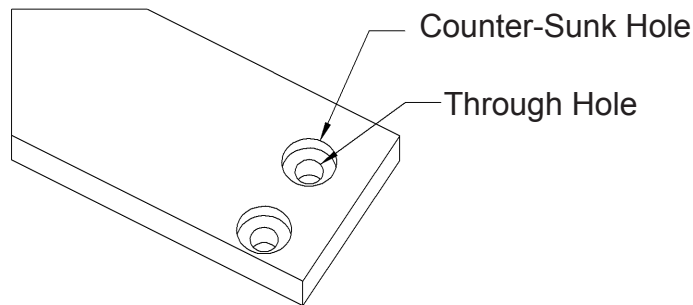
**EXAMPLE OF OFFSET HOLES UP**



**EXAMPLE OF OFFSET HOLES DOWN**



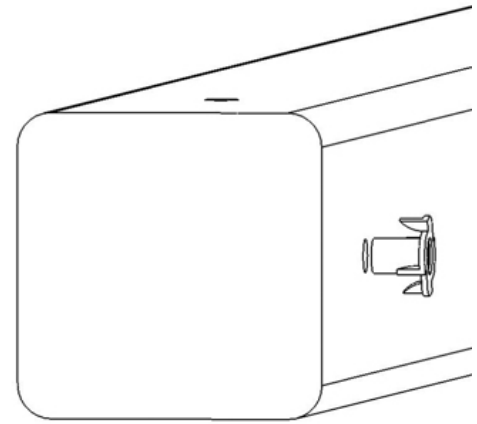
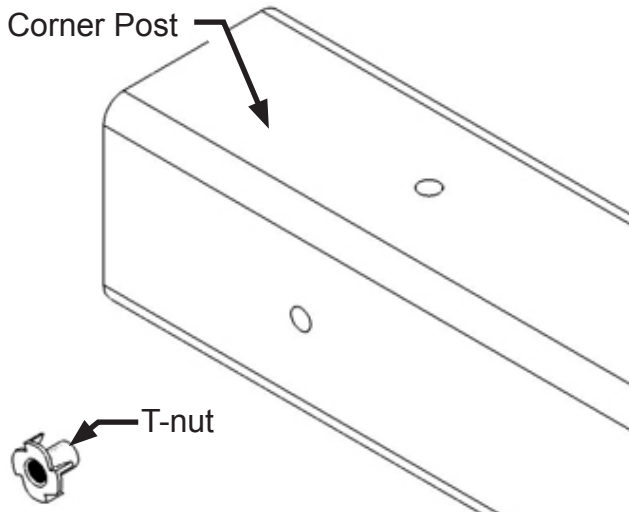
**Counter-sunk holes** - Many of the parts that will be used have counter-sunk holes. A counter-sunk hole is one that surrounds one side of a through hole, but does not extend through the wood it's self. When using a counter-sunk hole the bolt will be inserted through the through hole and either the head of the bolt and washer or nut and washer will occupy the counter sunk hole.



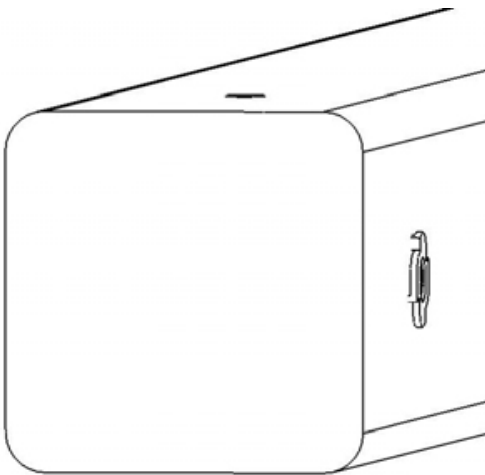
**Lag Screws-** Lag screws are used in the construction of our play sets to enhance the structural integrity of the unit. There will not be predrilled holes in the post for lag screw installation. Lag screws are self-tapping, though if you are using a manual socket wrench it may be advantageous to pre-drill a hole first. Instructions for this are provided on a separate page in the front of the manual. Be sure to tighten the lags completely when driving them in by hand. Power tools such as a heavy duty impact driver or large power drill should have enough torque to drive in the lag screws, but make sure not to over tighten as this can cause the threads to “strip out” in the post.

# Common Installation Practice Installing T-nuts

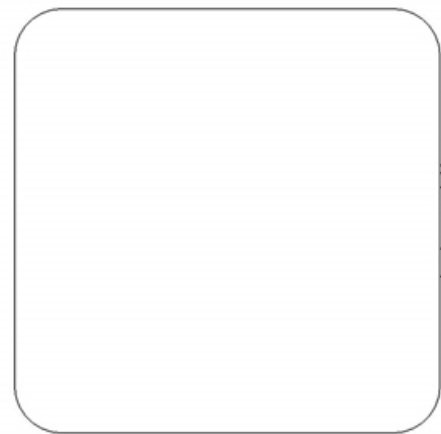
When installing T-nuts into the wood, use a smooth faced hammer to set the face of the T-nut flush into the wood.



Insert the barrel of the T-nut into the predrilled hole. Using a smooth faced hammer, drive the T-nut until the face of the T-nut is flush to the wood.

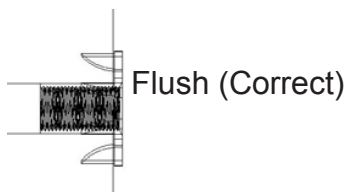


This picture shows the T-nut inserted and installed flush to the wood.



This picture shows an end view of the T-nut installed flush to the wood.

**WARNING: DO NOT EMBED THE TOP OF THE T-NUT INTO THE FACE OF THE WOOD**



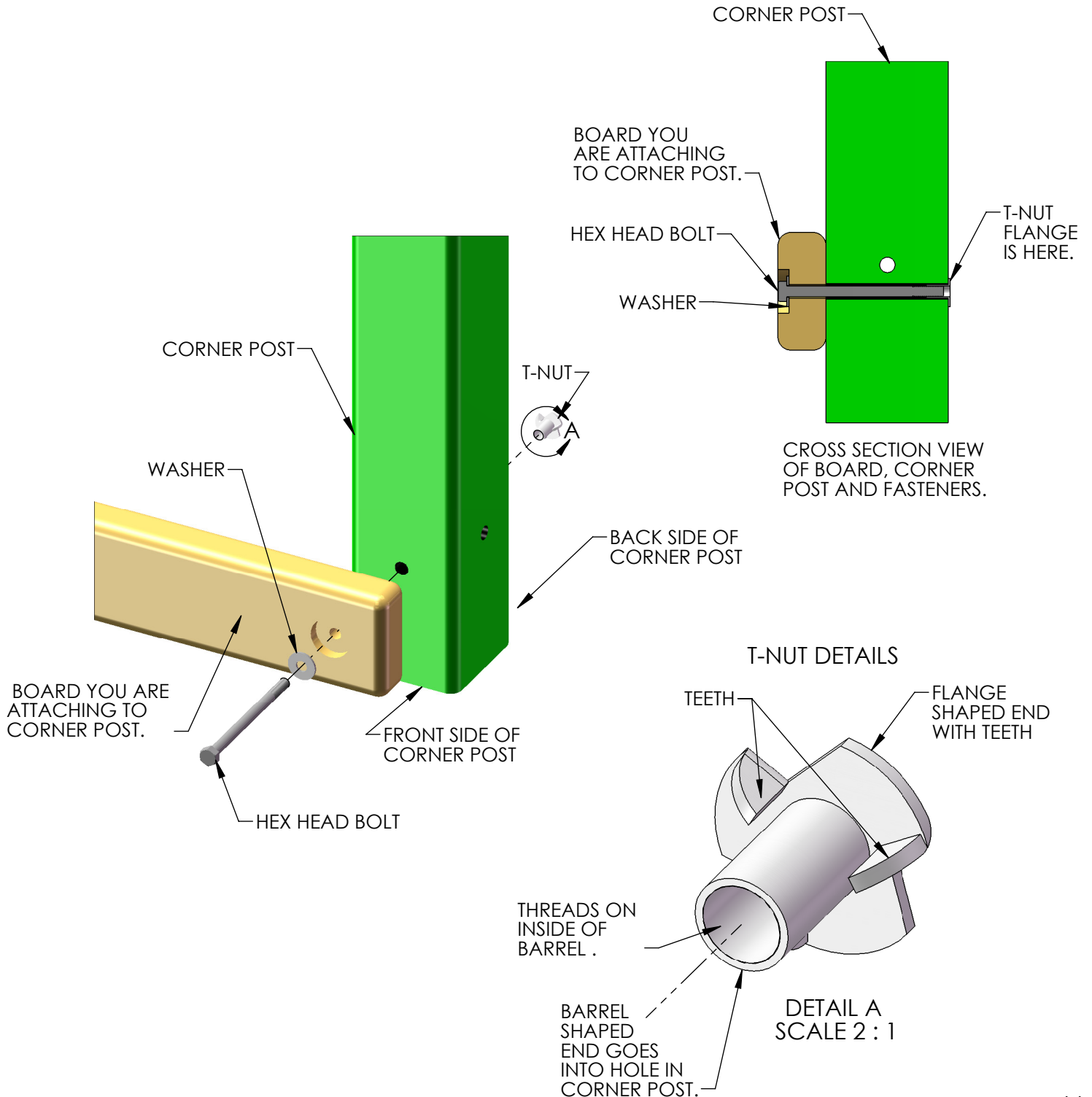
Cross Section end view, you are looking at an X-ray view of the post and T-nut. The barrel of the T-nut is in the corner post the line is the face of the wood.

# HOW A T-NUT WORKS

THE FIRST STEP IN OUR ASSEMBLY INSTRUCTIONS IS TO INSERT T-NUTS INTO THE CORNER POSTS. A T-NUT IS A FASTENER WHICH IS THREADED ON THE INSIDE AND IT FUNCTIONS JUST LIKE A STANDARD HEX NUT. YOU INSERT THE T-NUTS INTO THE PREDRILLED HOLES IN THE CORNER POSTS.

THE T-NUT HAS A BARREL SHAPED END WHICH GOES INTO THE HOLE IN THE CORNER POST. THE T-NUT ALSO HAS AN FLANGE SHAPED END WITH TEETH. THE TEETH PENETRATE INTO THE CORNER POST WOOD TO PREVENT THE T-NUT FROM SPINNING WHEN YOU TIGHTEN THE HEX HEAD BOLT.

SHOWN BELOW YOU WILL SEE THE T-NUT IS HAMMERED INTO THE CORNER POST ON THE BACK SIDE. THE BOARD IS BEING ATTACHED ON THE FRONT SIDE OF THE CORNER POST.

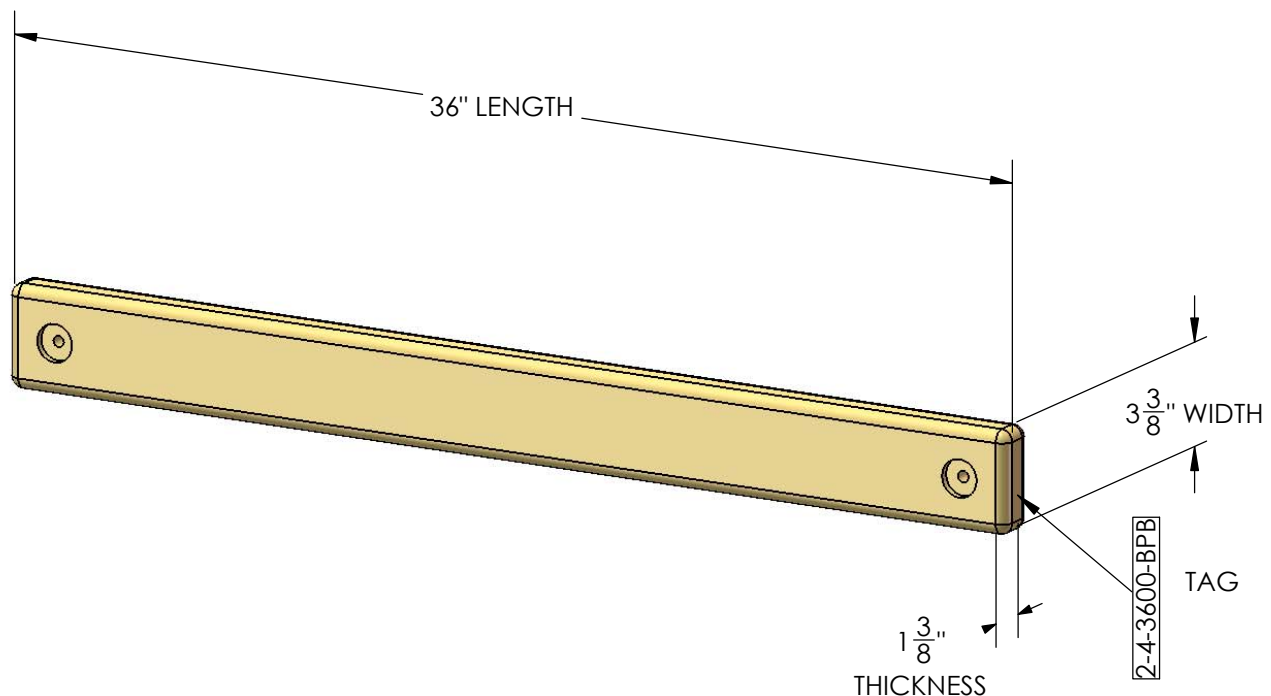


# BOARD IDENTIFICATION

1. On the end of each board there should be a small white tag that is stapled or stuck into place. Remove the staples and/or tag after the board is installed.
2. This white identification tag displays the thickness, width, length and an abbreviated description of the part.

Example: a tag reads "2-4-3600-BPB"

- The 2 is the thickness of the board. "Nominal Lumber" at a home center will measure 1-1/2" for the thickness. We "remill" that lumber to 1-3/8" thick.
- The 4 is the width of the board. "Nominal Lumber" at a home center will measure 3-1/2" for the width. We "remill" that lumber to 3-3/8" wide.  
Note: sometimes the width will be smaller than 3-3/8" because:  
A) We need the width of the part to fit into a certain area of the play set.  
B) We need the designation to be simple.
- The 3600 is the length of the board. It means the board is 36 inches long. If the code were 3625 then the board is 36-1/4" in length.
- The "BPB" abbreviation stands for "Bottom Panel Board". The wood part bill of materials in the instructions has a description which will match the abbreviation closely.
- In the event that there is no tag on a wood part measure the part then:  
A) Use the measurements and compare them to the wood list at the front of the instructions to identify it.  
B) Look at the holes on the wood part and compare them to the pictures in the wood list.  
C) Look to see if the holes are centered or if they are offset up or offset down.  
This should help you identify any parts that have missing tags. In the event that you cannot identify a board please email us for assistance.



# PRE-DRILL LAG SCREW DIRECTIONS

Pre-drilling holes for lag screws will make it easier to drive the screws in by hand. "Jobber" length drill bits are available in sizes that are longer than standard drill bits and those are ideal for the job. When using the drill bit you will have to "spot" drill the post and then remove the board you are attaching to finish drilling the hole.

Pay attention to the *DIAMETER* of the lag screw you are installing. Your playset may come with two different diameter lag screws. Each diameter will require a different size drill bit. When installing lag screws **DO NOT OVERTIGHTEN.**

LAG SCREW DIAMETER	DRILL BIT SIZE
5/16" DIAMETER	9/64"
3/8" DIAMETER	11/64"

## Example: 3/8" diameter x 3-1/2" lag screw

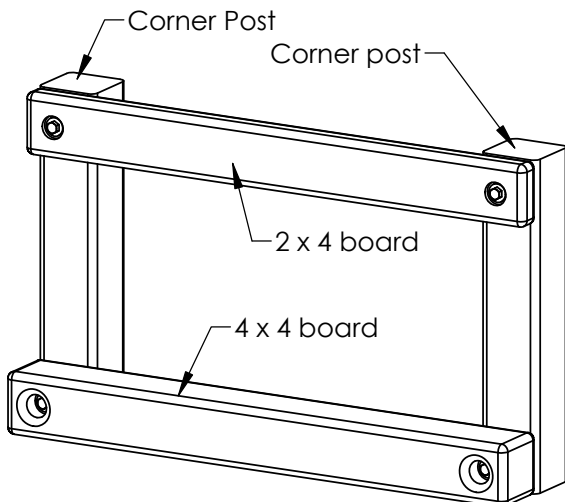
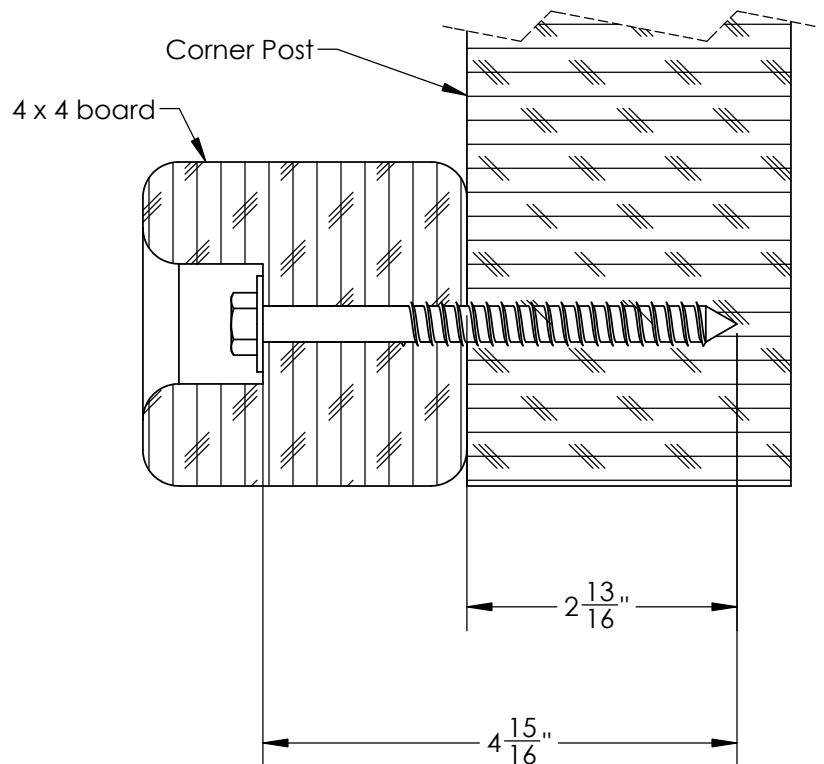
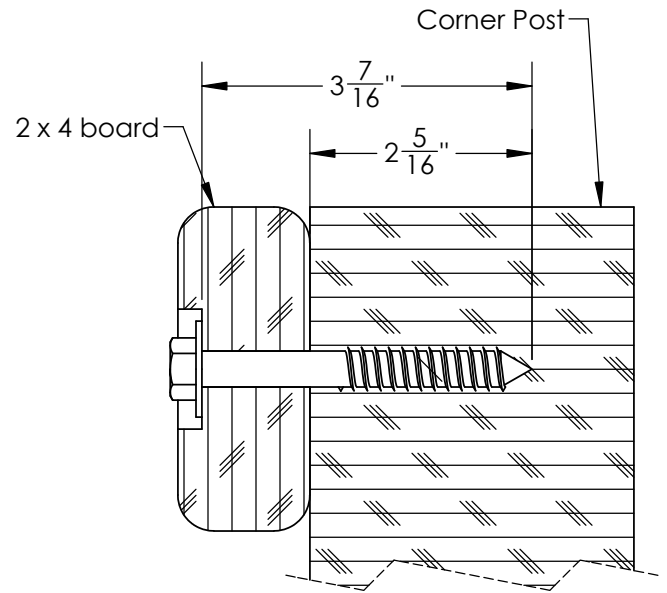
This would be like the 2 x 4 board installation shown below. Place the board into position. Spot Drill through the holes in the 2 x 4 board into the corner posts with an 11/64" drill bit. Remove the 2 x 4 board. Continue to drill the holes to a total depth of 2-5/16" as shown at the right. Install the 2 x 4 board.

## Example 5/16" diameter x 3-1/2" lag screw

This would be like the 2 x 4 board installation shown below. Place the board into position. Spot Drill through the holes in the 2 x 4 board into the corner posts with an 9/64" drill bit. Remove the 2 x 4 board. Continue to drill the holes to a total depth of 2-5/16" as shown at the right. Install the 2 x 4 board.

## Example 3/8" diameter x 5" lag screw

This would be like the 4 x 4 board installation shown below. Place the board into position. Spot drill through the holes in the 4 x 4 board into the corner posts with an 11/64" drill bit. Remove the 4 x 4 board. Continue to drill the holes to a total depth of 2-13/16" as shown at the right. Install the 4 x 4 board.



# SWING BEAM LOADING

## Weight Limits for Accessories:

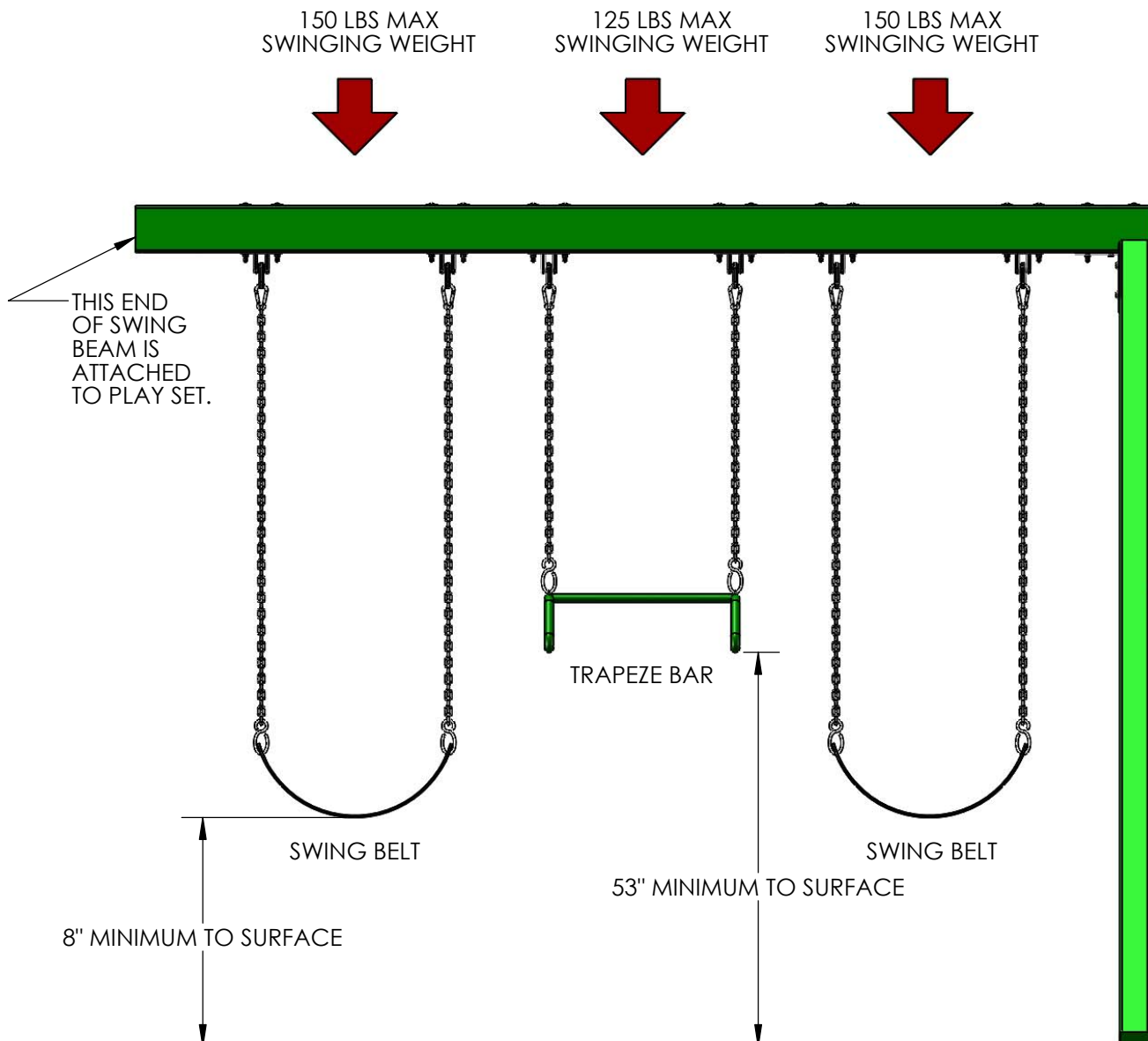
The weight limit for a Swing Belt is 225 lbs. (Although 150lbs is the maximum recommended swinging weight capacity for the swing position.)

The weight limit for a Trapeze Bar is 125 lbs.

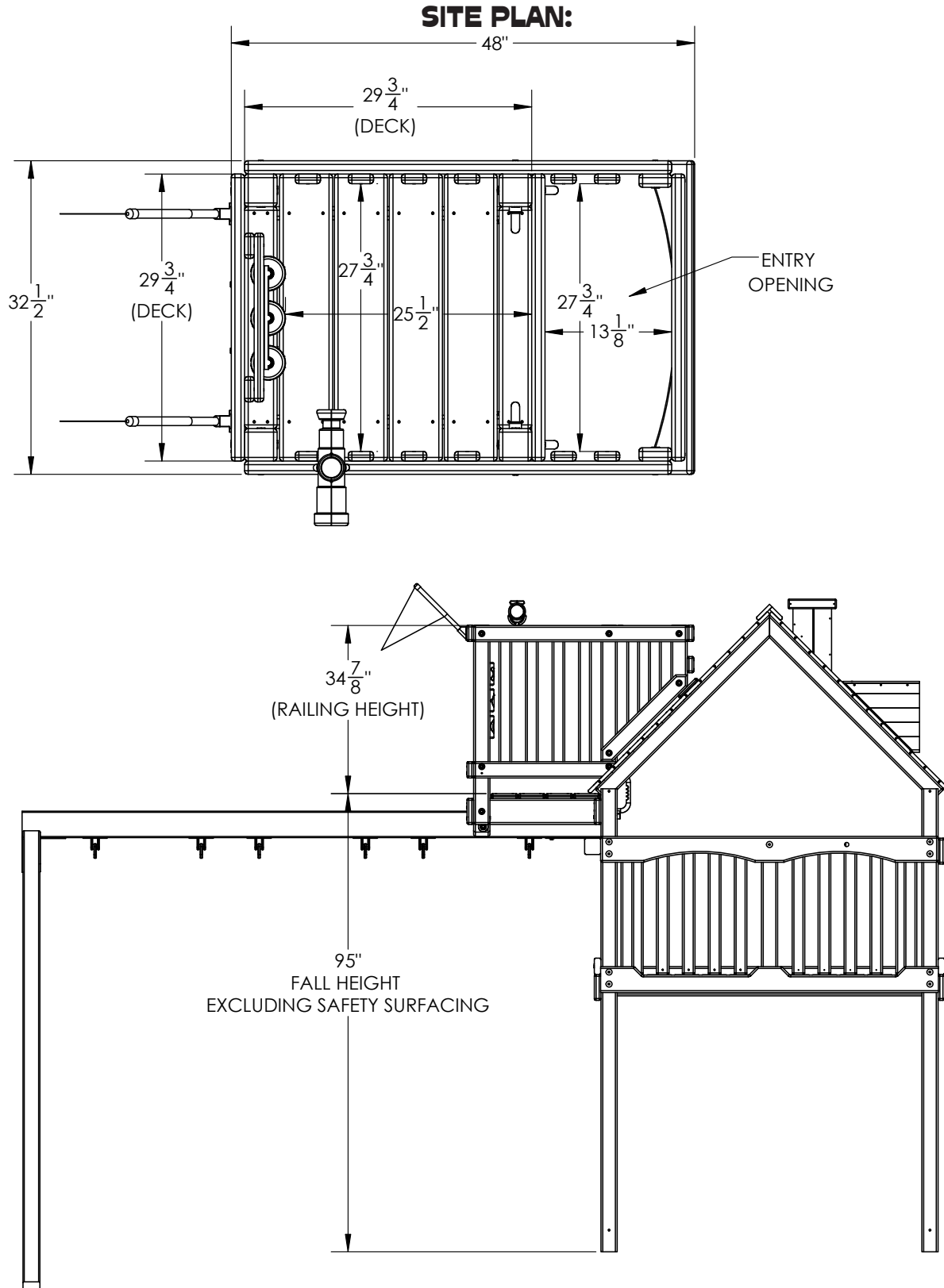
## Maximum Allowable swinging weight for a three position swing:

- 1) The maximum allowable swinging weight at each Swing Belt position is 150 lbs.
- 2) The maximum allowable swinging weight at the Trapeze position is 125 lbs.
- 3) The MAXIMUM SWING BEAM LOAD IS 425 lbs.

### **MAXIMUM SWING BEAM LOAD IS 425 LBS.**



**Please familiarize yourself with the manual, parts/components and general construction process of your new playset before getting started.**



Approximate assembly time: 2 - 4 hours

**(6) foot unobstructed safety perimeter around playset recommended**

## **REQUIRED TOOL LIST:**

- Standard or Cordless Drill w/ Phillips Bit (#2 square bit provided)
- Drill Bits 1/8", 3/8", 9/64", 11/64" bits.
- 1/2" Wrench and Socket
- 1/2" Deep Well Socket
- 9/16" Deep Well Socket
- 9/16" Wrench and Socket
- Level
- Tape Measure
- Extension Cord (if using standard drill)
- Hammer
- Pencil
- Locking Pliers (Vise Grips)

## **KIT CONTENTS:**

### **Swings, Slides, Accessories:**

- (Qty ) Description
- (1) Tic Tac Toe
- (1) Telescope
- (2) Flags
- (4) Safety Handles
- (1) Sub Bracket

### **Sky Loft Hardware:**

*see following pages*

### **Wood Components:**

*see following pages*



#2 SQUARE  
 DRIVE BIT  
 QTY: 1

#8 X 1-1/2"  
 WOOD SCREW  
 QTY: 40



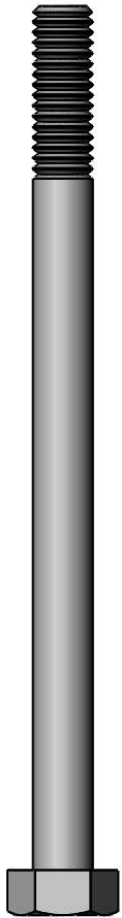
#8 x 1-3/4"  
 WOOD SCREW  
 QTY: 8



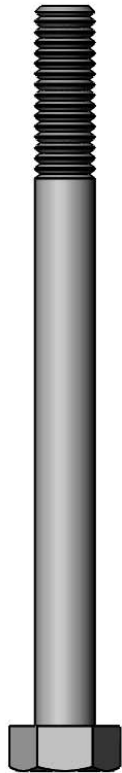
#8 X 2"  
 WOOD SCREW  
 QTY: 90



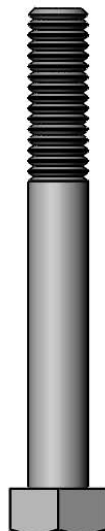
#8 X 2-1/2"  
 WOOD SCREW  
 QTY: 60



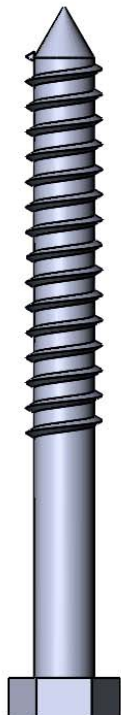
5/16 X 4-1/2"  
 HEX BOLT  
 QTY: 24



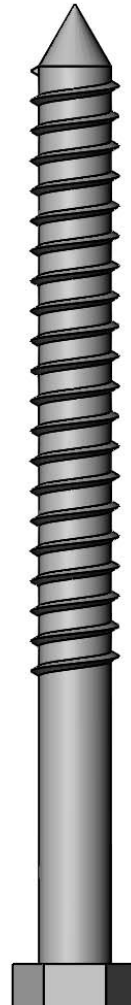
5/16 X 3-3/4"  
 HEX BOLT  
 QTY: 2



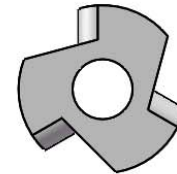
5/16" x 2-1/2"  
 HEX BOLT  
 QTY: 4



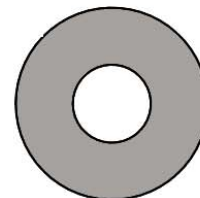
5/16" x 3"  
 LAG SCREW  
 QTY: 6



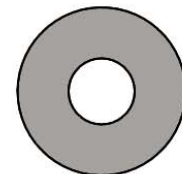
3/8" x 5"  
 LAG SCREW  
 QTY: 4



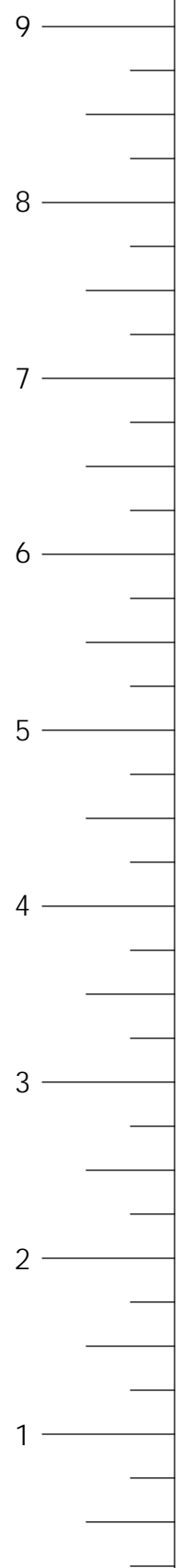
5/16" TEE NUT  
 QTY: 32



3/8" WASHER  
 QTY: 4



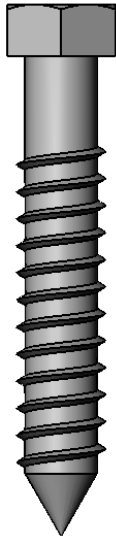
5/16" WASHER  
 QTY: 44



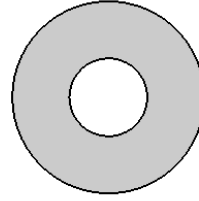
USE THE RULER TO THE RIGHT TO MEASURE YOUR BOLTS AND SCREWS. PICTURE VIEWS SHOWN ABOVE ARE 1:1 SCALE AND CAN BE USED TO MATCH BOLT AND SCREW SIZES.

11-2027  
SUB BRACKET  
HARDWARE  
12/09/2015  
JH

3/8" X 2-1/2"  
LAG SCREW  
QTY: 4

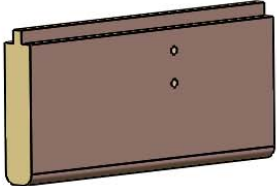
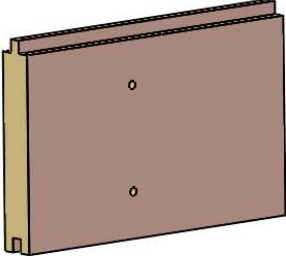
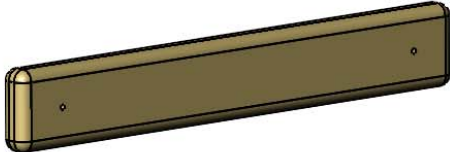
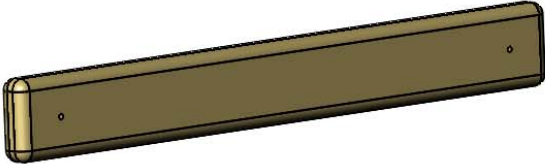
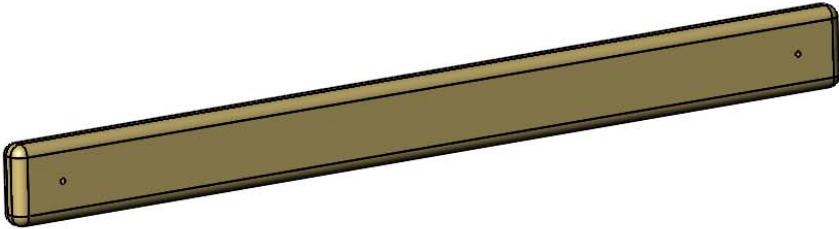
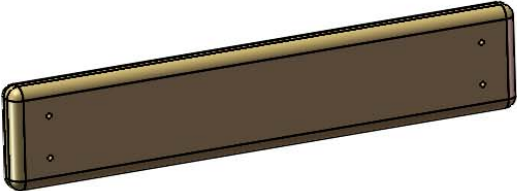
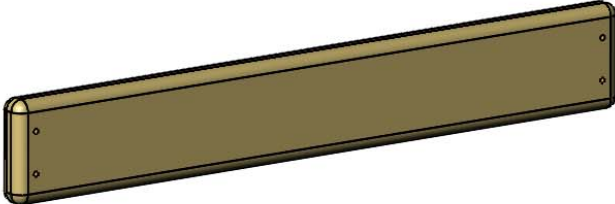


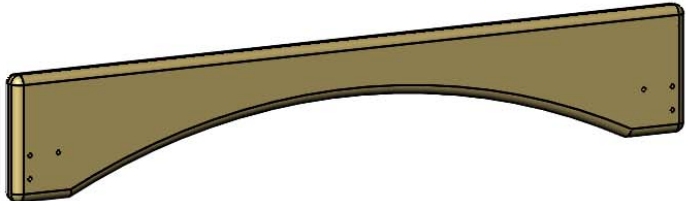
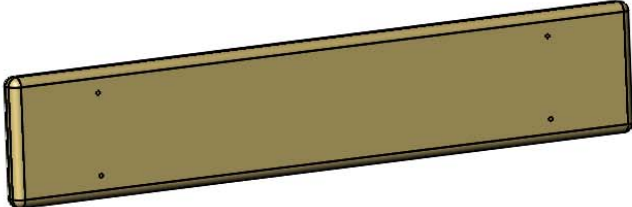
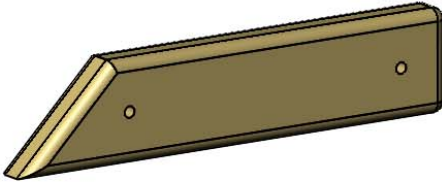
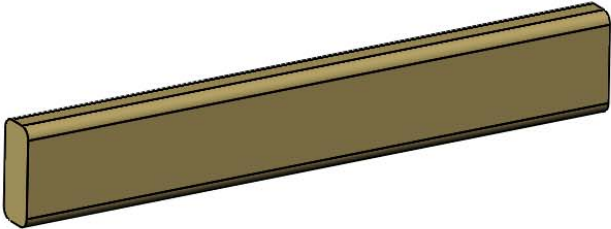
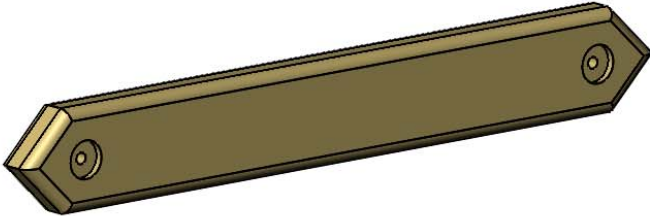
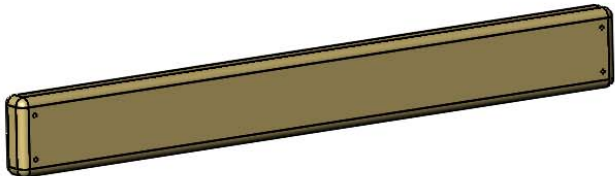
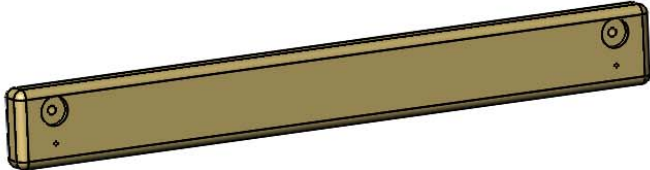
3/8" WASHER  
QTY: 4

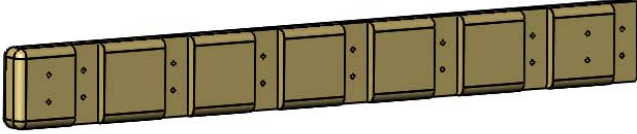
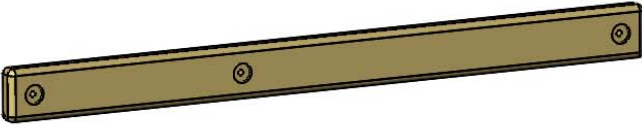
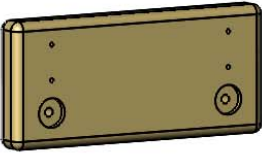
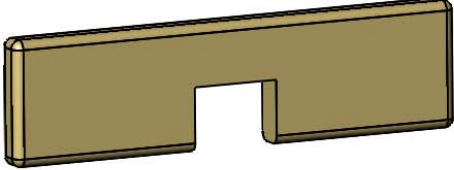
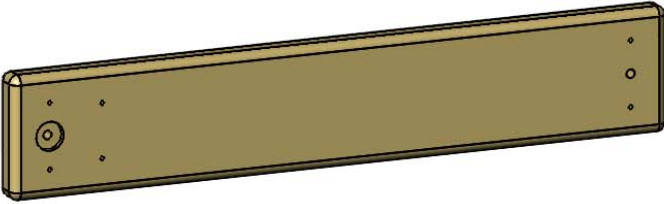
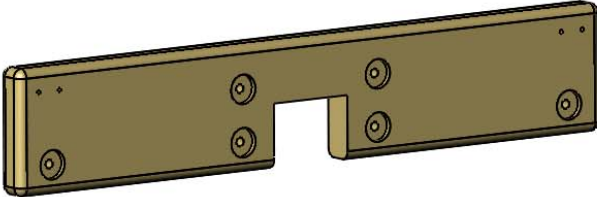
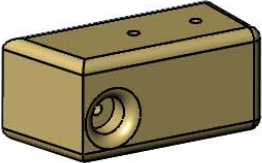


9  
8  
7  
6  
5  
4  
3  
2  
1

USE THE RULER TO THE RIGHT TO MEASURE YOUR BOLTS AND SCREWS. PICTURE VIEWS SHOWN ABOVE ARE 1:1 SCALE AND CAN BE USED TO MATCH BOLT AND SCREW SIZES.

1542	PICTURE	DESCRIPTION	QTY.
		1 X 4 X 7-3/16" TONGUE-ONLY ROOF FINISHER <b>1542A</b>	2
		1 X 5 X 7-3/16" TONGUE-AND- GROOVE ROOF BOARD <b>1542B</b>	14
		5/4 X 3 X 18" PANEL SLAT-1 <b>1542C</b>	2
		5/4 X 3 X 22-3/4" PANEL SLAT-2 <b>1542D</b>	2
		5/4 X 3 X 31-1/8" PANEL SLAT-3 <b>1542E</b>	10
		5/4 X 4 X 17-1/2" TIC-TAC-TOE MOUNT <b>1542F</b>	2
		5/4 X 4 X 23" DECK SPACER <b>1542G</b>	2

1542	PICTURE	DESCRIPTION	QTY.
		5/4 X 6 X 32-1/2" ENTRY BOARD <b>1542H</b>	1
		5/4 X 6 X 29-3/4" DECK BOARD <b>1542I</b>	4
		2 X 4 X 16" END POST <b>1542J</b>	2
		2 X 4 X 21-1/4" LADDER STEP <b>1542K</b>	7
		2 X 4 X 25.28" END BOTTOM PANEL BOARD <b>1542L</b>	2
		2 X 4 X 29-3/4" END TOP PANEL BOARD <b>1542M</b>	2
		2 X 4 X 29-3/4" END PANEL SUPPORT <b>1542N</b>	5

1542	PICTURE	DESCRIPTION	QTY.
		2 X 4 X 30-7/8" LADDER SIDE <b>1542O</b>	2
		2 X 4 X 44-1/4" TOP PANEL SUPPORT <b>1542P</b>	2
		2 X 6 X 12" CONNECTOR BOARD <b>1542Q</b>	2
		2 X 6 X 20-1/4" CENTER DECK SUPPORT <b>1542R</b>	1
		2 X 6 X 29-3/4" DECK SUPPORT <b>1542S</b>	2
		2 X 6 X 29-3/4" DECK MOUNT <b>1542T</b>	1
		4 X 4 X 7-1/2" ANGLE SUPPORT <b>1542U</b>	2

1542	PICTURE	DESCRIPTION	QTY.
		4 X 4 X 41-5/16" CORNER POST <b>1542V</b>	2
		4 X 4 X 72-3/8" SUPPORT POST <b>1542W</b>	2
			22

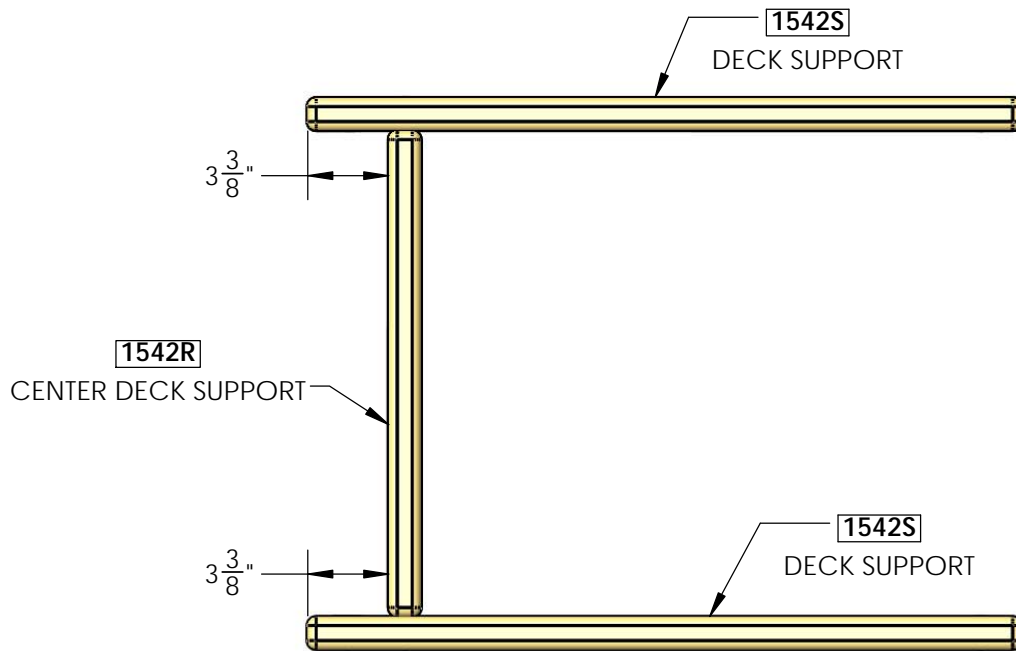
PICTURE	DESCRIPTION	QTY.
	TELESCOPE	1
	TIC TAC TOE (UNASSEMBLED) <b>07-0010</b>	1
	FLAG KIT <b>09-1014</b>	1 pr
	SUB BRACKET <b>11-5017</b>	1
	GRAB HANDLES (2 HANDLES ARE IN ONE BAG) <b>07-0005</b>	4
(NOT SHOWN)	SKYLOFT HARDWARE <b>11-0115</b>  SUB BRACKET HARDWARE <b>11-2027</b>	1    1

# STEP 1: DECK FRAME

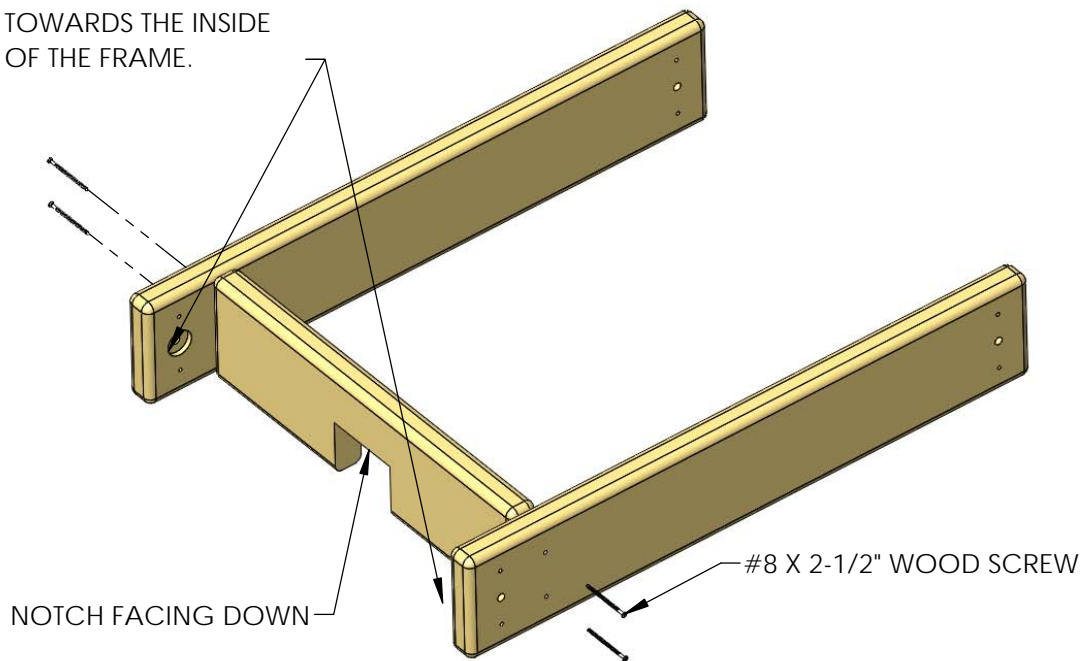
1: INSTALL BOARDS AS SHOWN BELOW:

\* NOTE POSITION OF COUNTERBORED HOLES.

\* NOTE DIRECTION OF NOTCH.

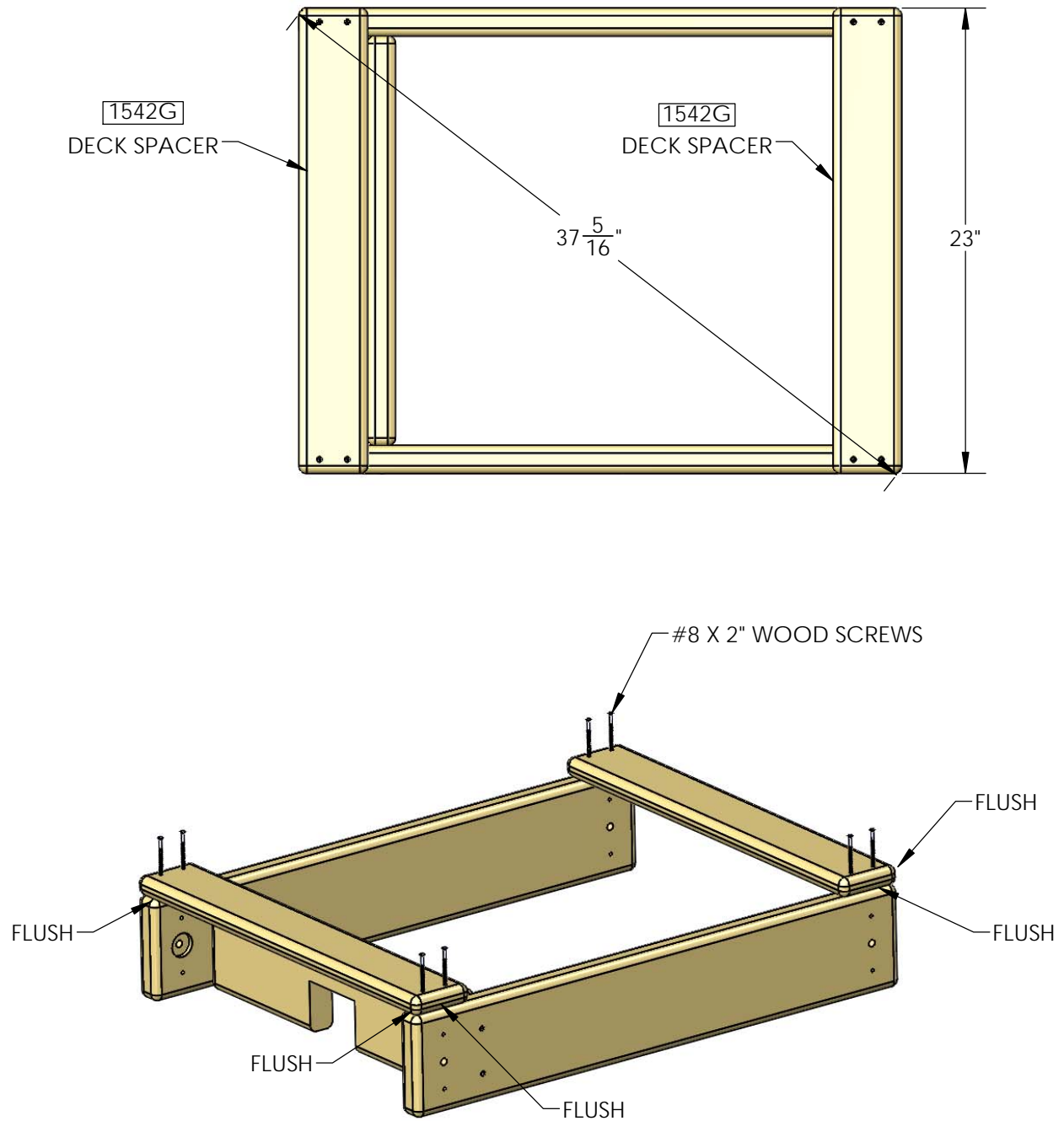


COUNTERBORED HOLES  
TOWARDS THE INSIDE  
OF THE FRAME.



## STEP 2: DECK SPACERS

1: INSTALL DECK SPACER AS SHOWN BELOW.

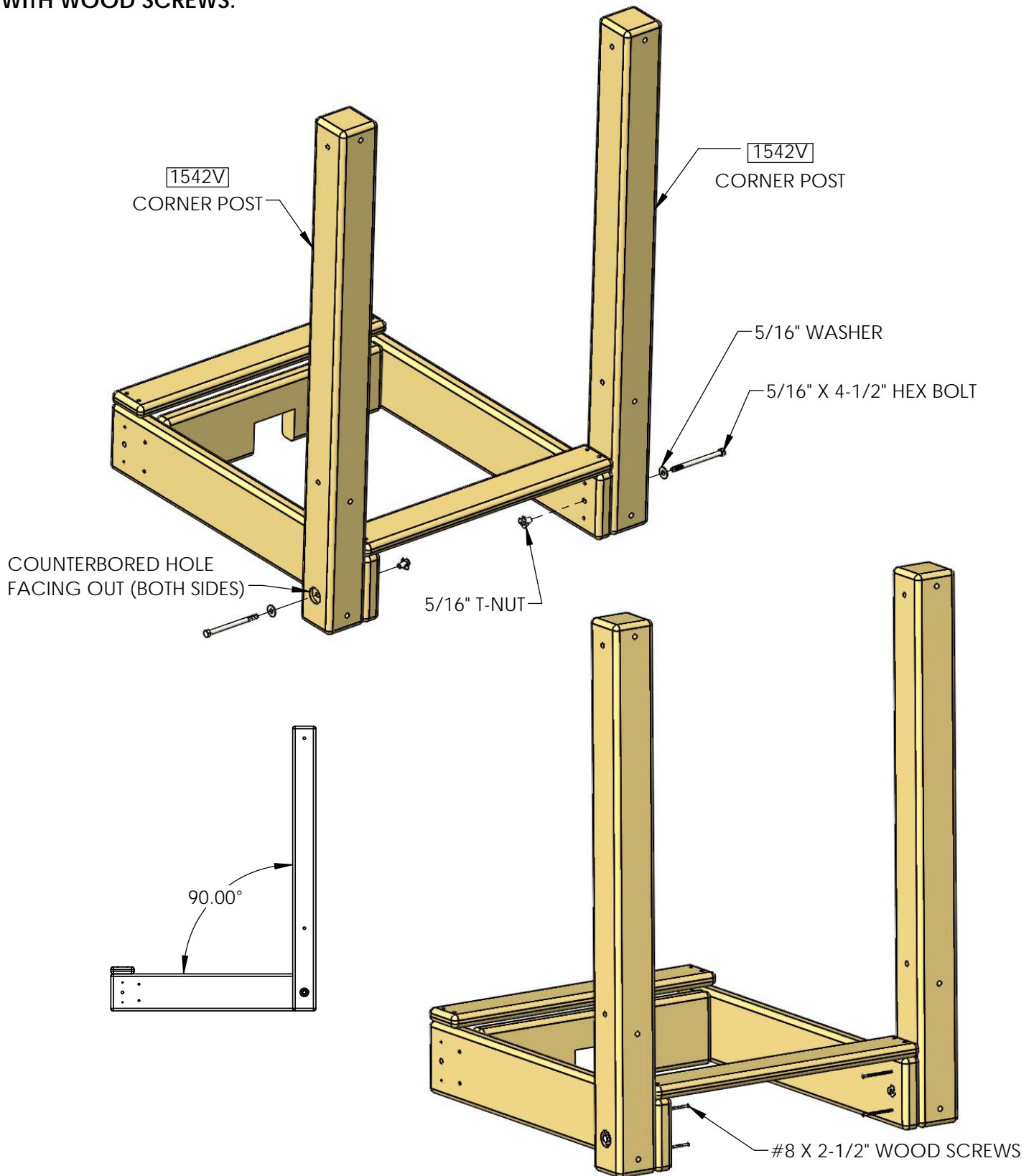


# STEP 3: CORNER POSTS

1: INSTALL BOARDS AS SHOWN BELOW.

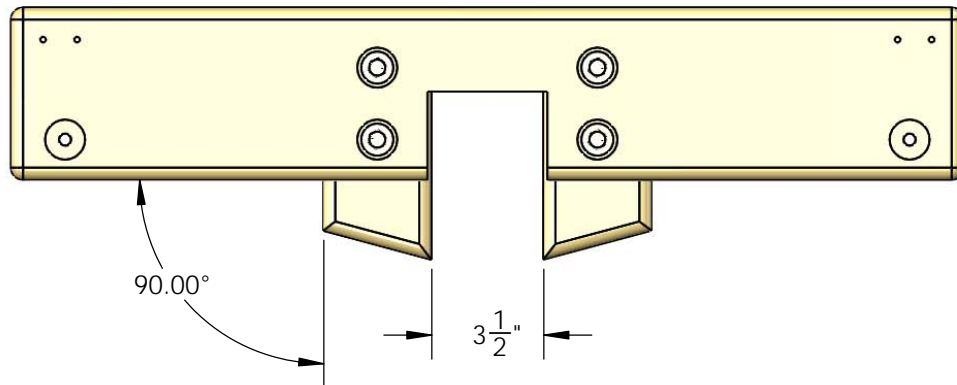
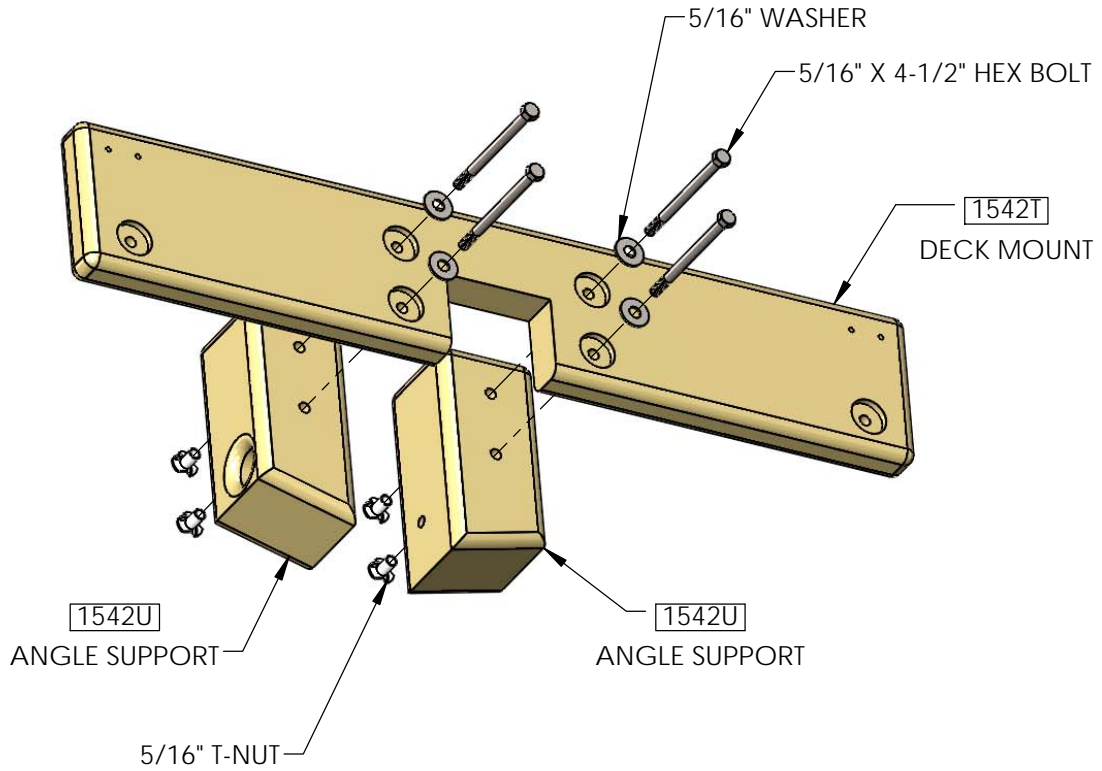
\* NOTE POSITION OF COUNTERBORED HOLES.

\* NOTE: CORNER POSTS, MUST BE 90 DEGREES FROM DECK SUPPORT BEFORE SECURING WITH WOOD SCREWS.



# STEP 4: BRACES

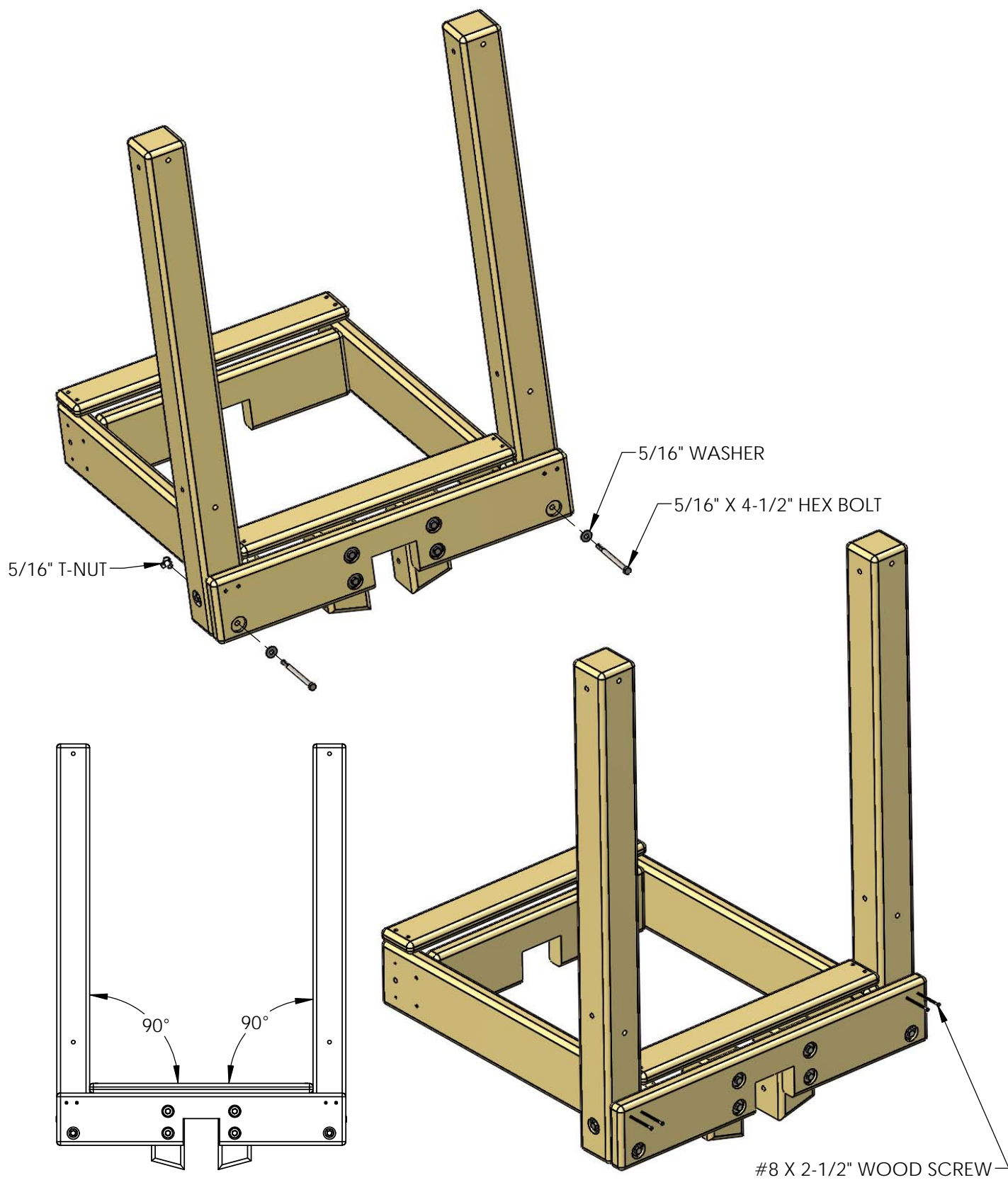
1: INSTALL BOARDS AS SHOWN BELOW.



# STEP 5: ATTACHING BRACES TO DECK FRAME

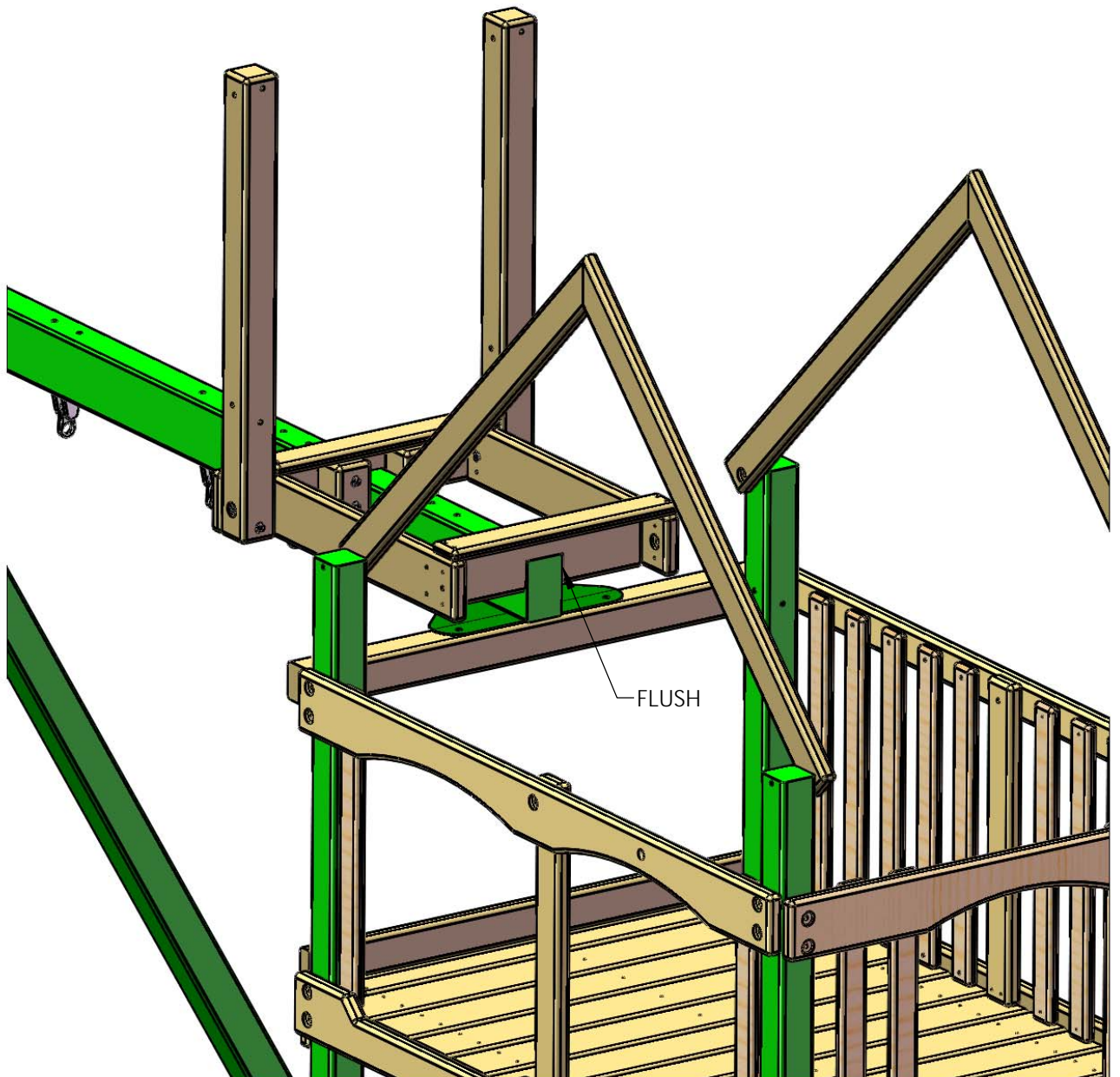
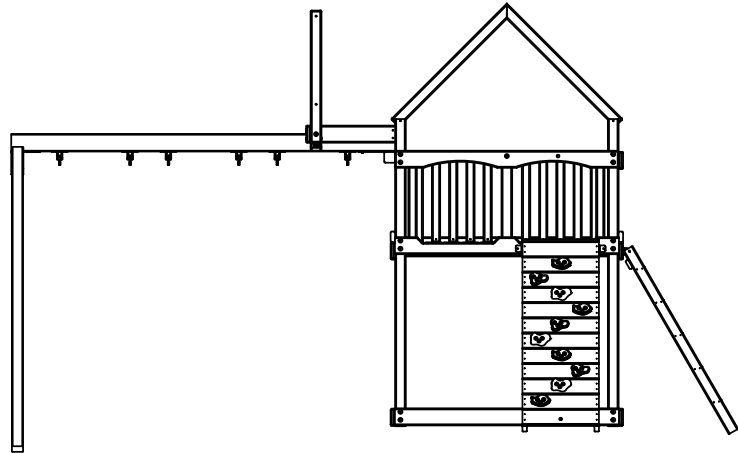
1: INSTALL BOARDS AS SHOWN BELOW.

**NOTE: MAKE SURE CORNER POSTS ARE 90 DEGREES FROM DECK SUPPORT BEFORE SECURING WITH WOOD SCREWS.**



# STEP 5A: MOUNTING THE PLATFORM TO SWING BEAM

1: SET THE PLATFORM ON TOP OF THE SWING BEAM AND USE THE NOTCHES TO CENTER IT AS SHOWN BELOW.

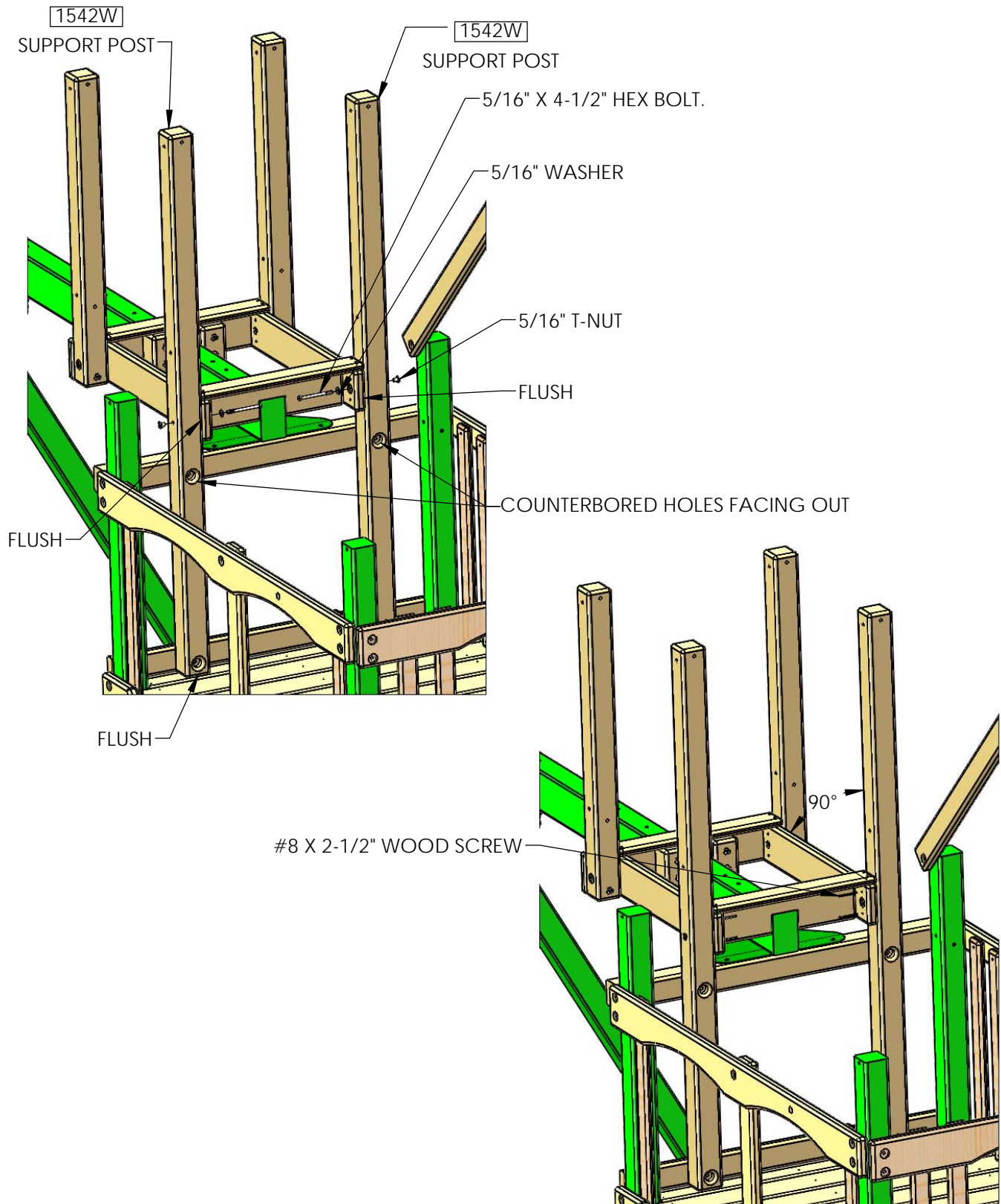


# STEP 6: SUPPORT POSTS

1: ATTACH SUPPORT POSTS AS SHOWN BELOW.

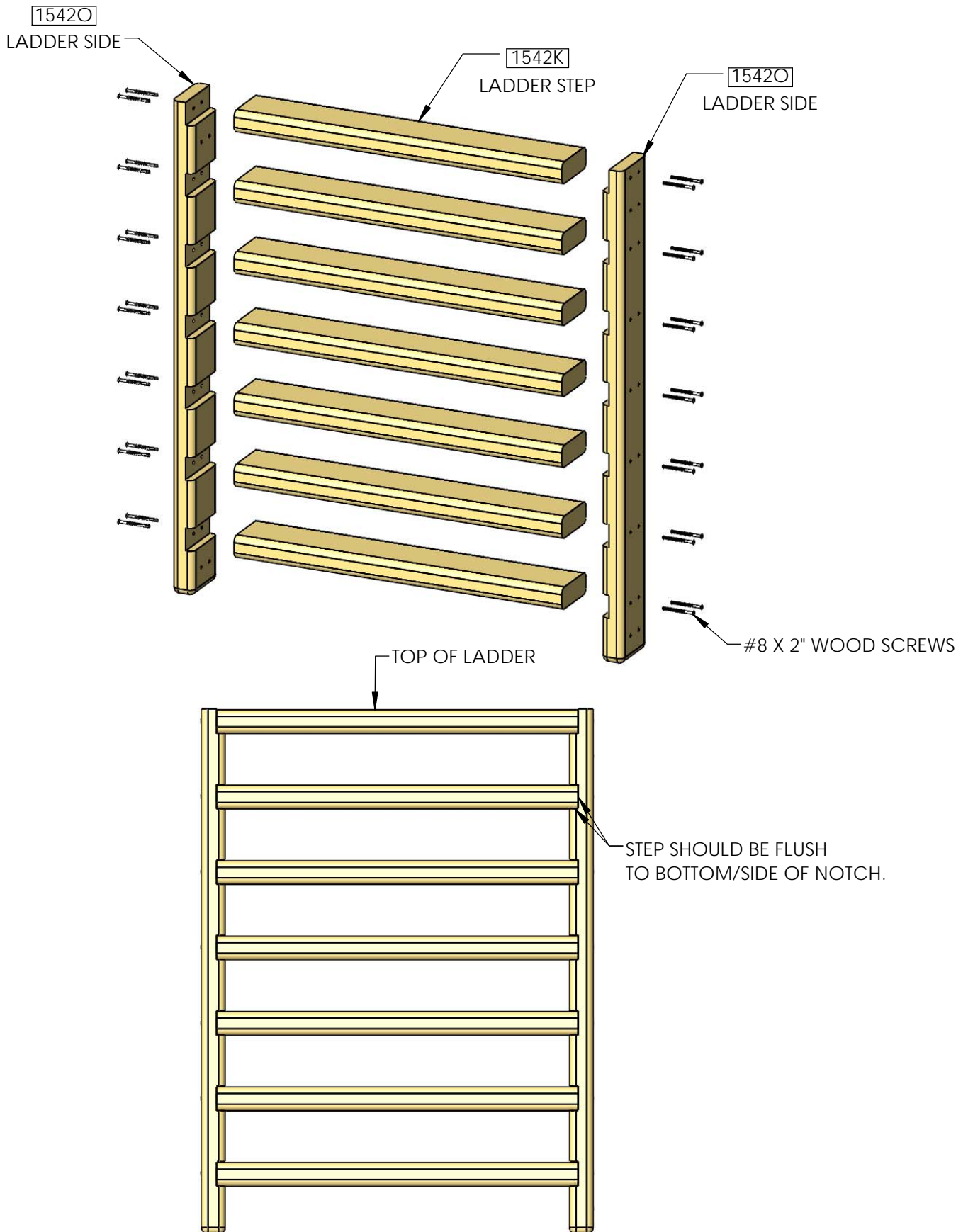
\* NOTE: MAKE SURE SUPPORT POSTS ARE 90 DEGREES FROM DECK SUPPORT BEFORE SECURING WITH WOOD SCREWS.

\* NOTE POSITION OF COUNTERBORED HOLES.



# STEP 7: LADDER

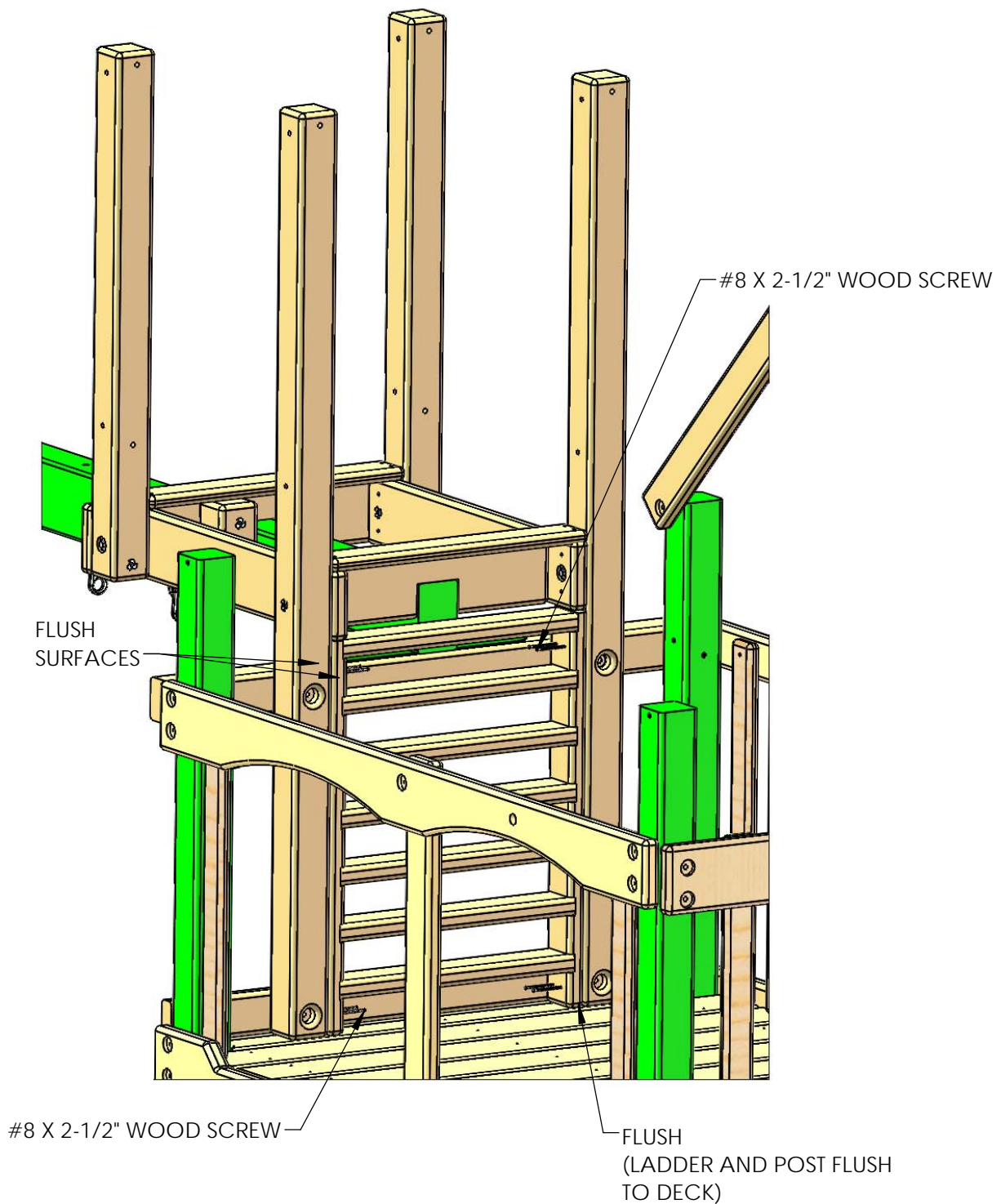
1: ASSEMBLE LADDER AS SHOWN BELOW:



## STEP 8: ATTACHING LADDER TO POSTS.

1: ATTACH LADDER ASSEMBLY IN BETWEEN SUPPORT POSTS AS SHOWN BELOW.

**NOTE: MAKE SURE LADDER ASSEMBLY IS FLUSH TO SUPPORT POSTS. THE BOTTOM OF THE LADDER AND THE BOTTOM OF THE SUPPORT POST SHOULD BE SITTING ON TOP OF DECK BEFORE SECURING WITH WOOD SCREWS.**

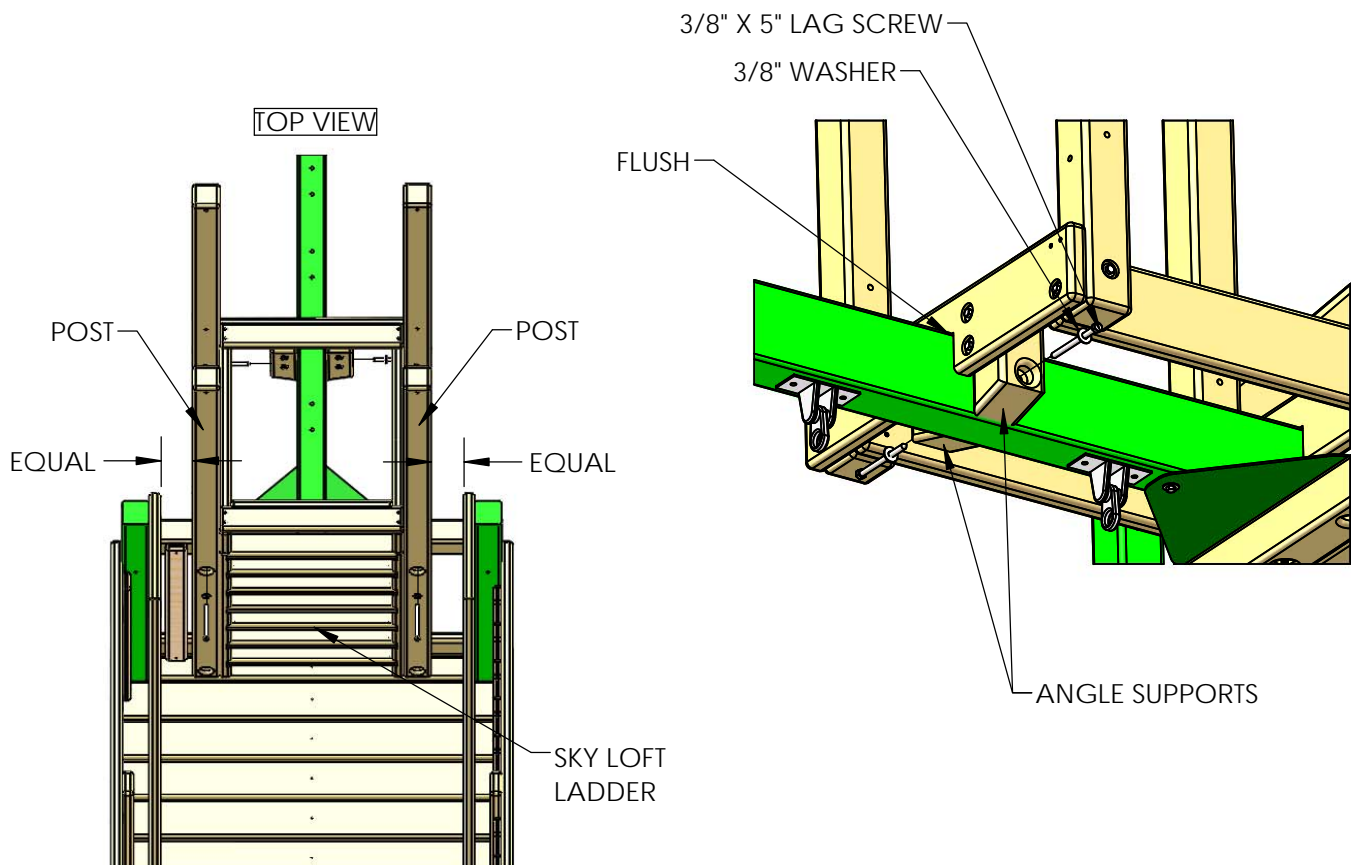
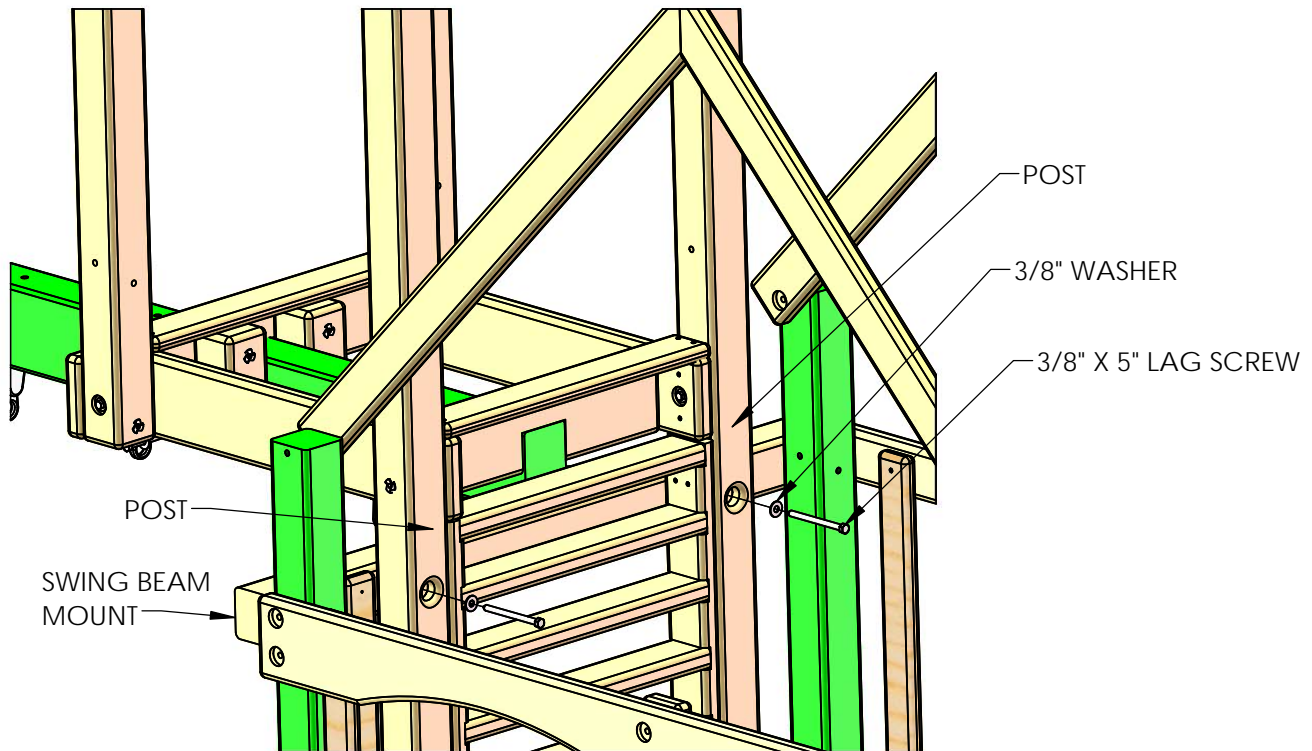


## STEP 9: SECURING TO FORT.

**\*IMPORTANT\*** - CENTER THE POSTS EQUALLY BEFORE INSTALLING LAG SCREWS INTO POSTS. PRE-DRILL 11/64" PILOT HOLES AT ALL LOCATIONS BEFORE INSTALLING LAG SCREWS.

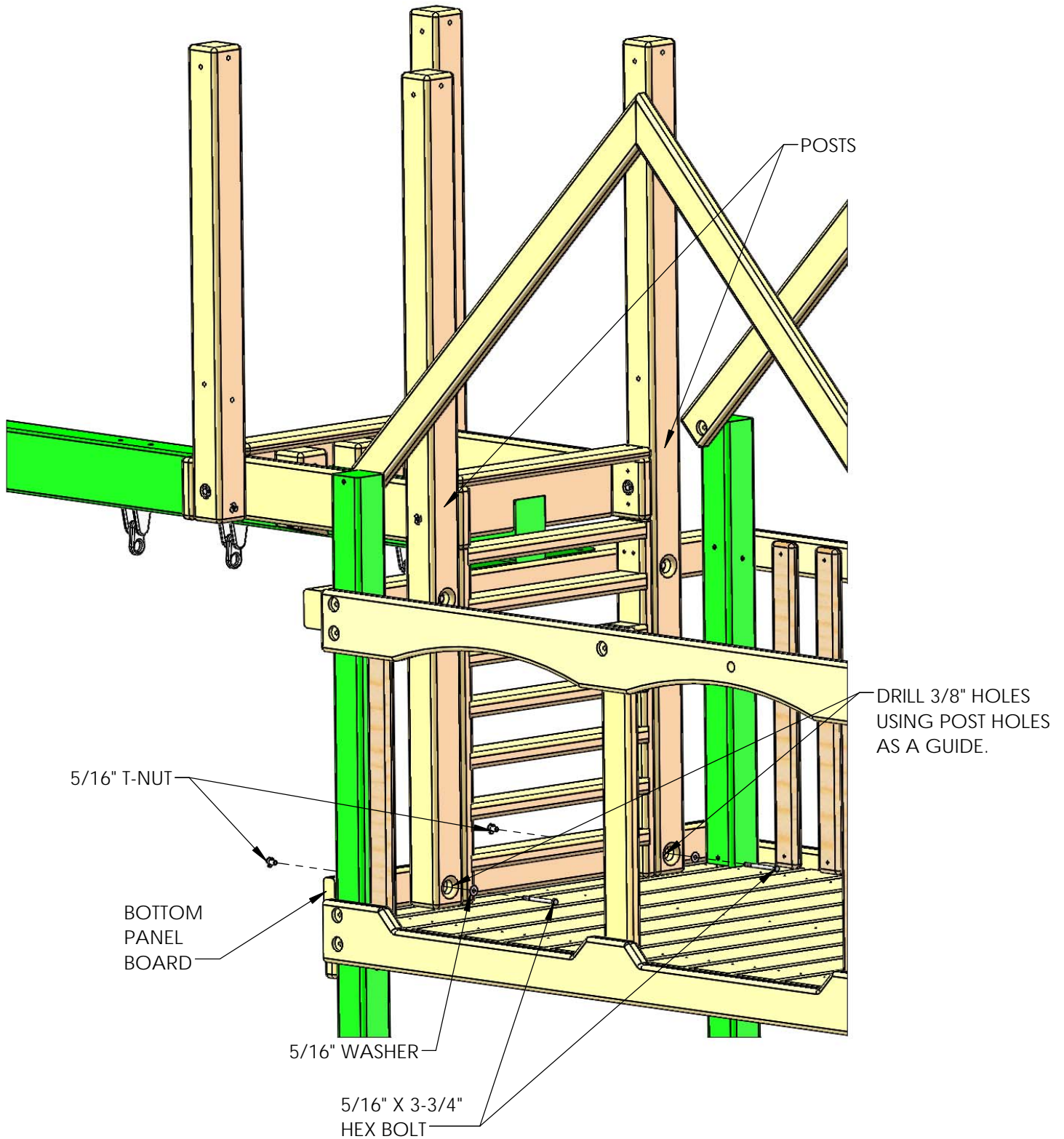
1: SECURE SUPPORT POSTS TO SWING BEAM MOUNT AS SHOWN BELOW.

2: SECURE ANGLE SUPPORTS TO SWING BEAM AS SHOWN BELOW.



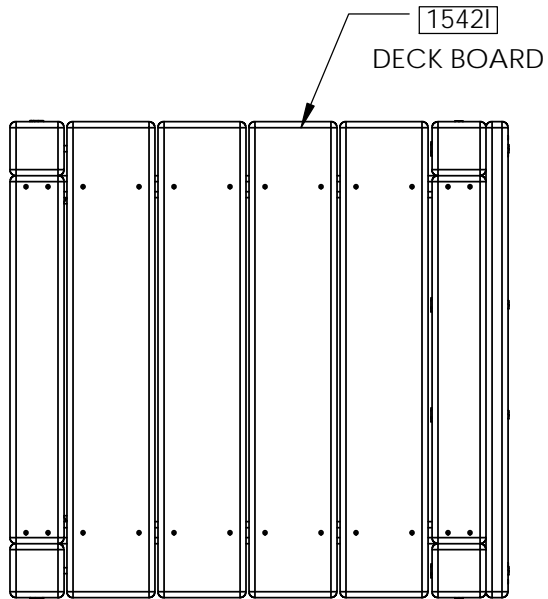
## STEP 9A: POST BOTTOM ATTACHMENT

- 1: CAREFULLY DRILL 3/8" HOLES THROUGH THE BOTTOM PANEL BOARD USING THE POST HOLES AS A GUIDE.
- 2: INSTALL T-NUTS.
- 3: FASTEN AS SHOWN.

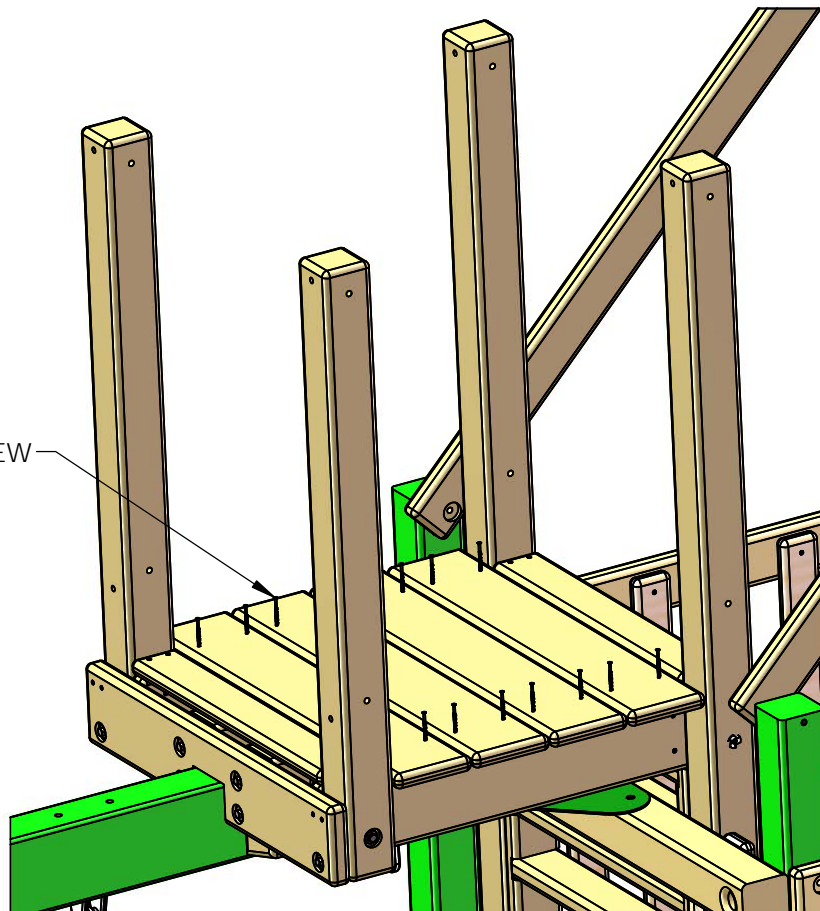


## STEP 10: DECK BOARDS

1: PLACE ALL DECK BOARDS ON DECK SUPPORTS FIRST. MAKE SURE ALL BOARDS ARE EVENLY SPACED AND FLUSH TO THE CORNER POSTS.



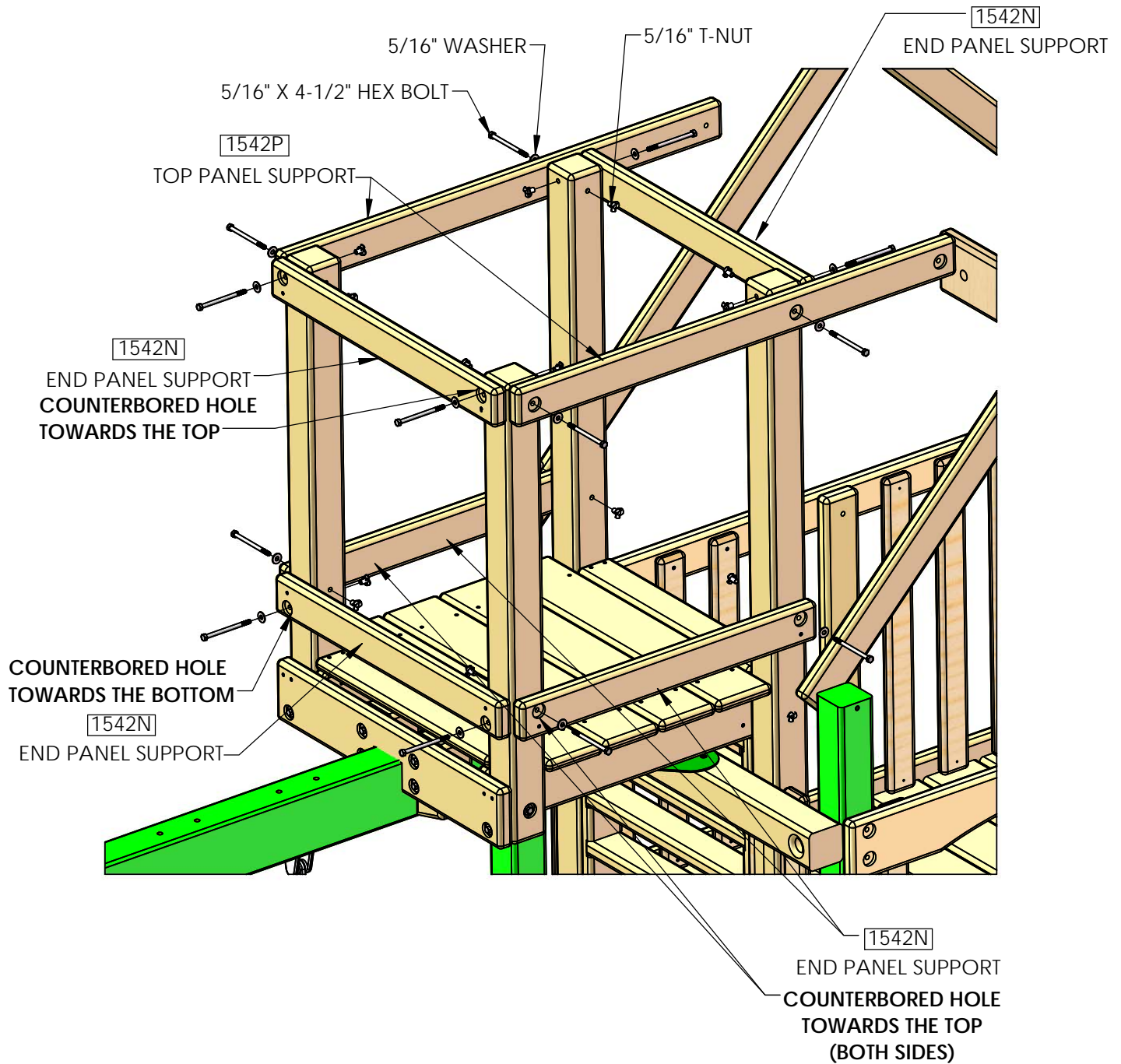
#8 X 2" WOOD SCREW



# STEP 11: ATTACHING PANEL SUPPORTS

1: INSTALL BOARDS AS SHOWN BELOW.

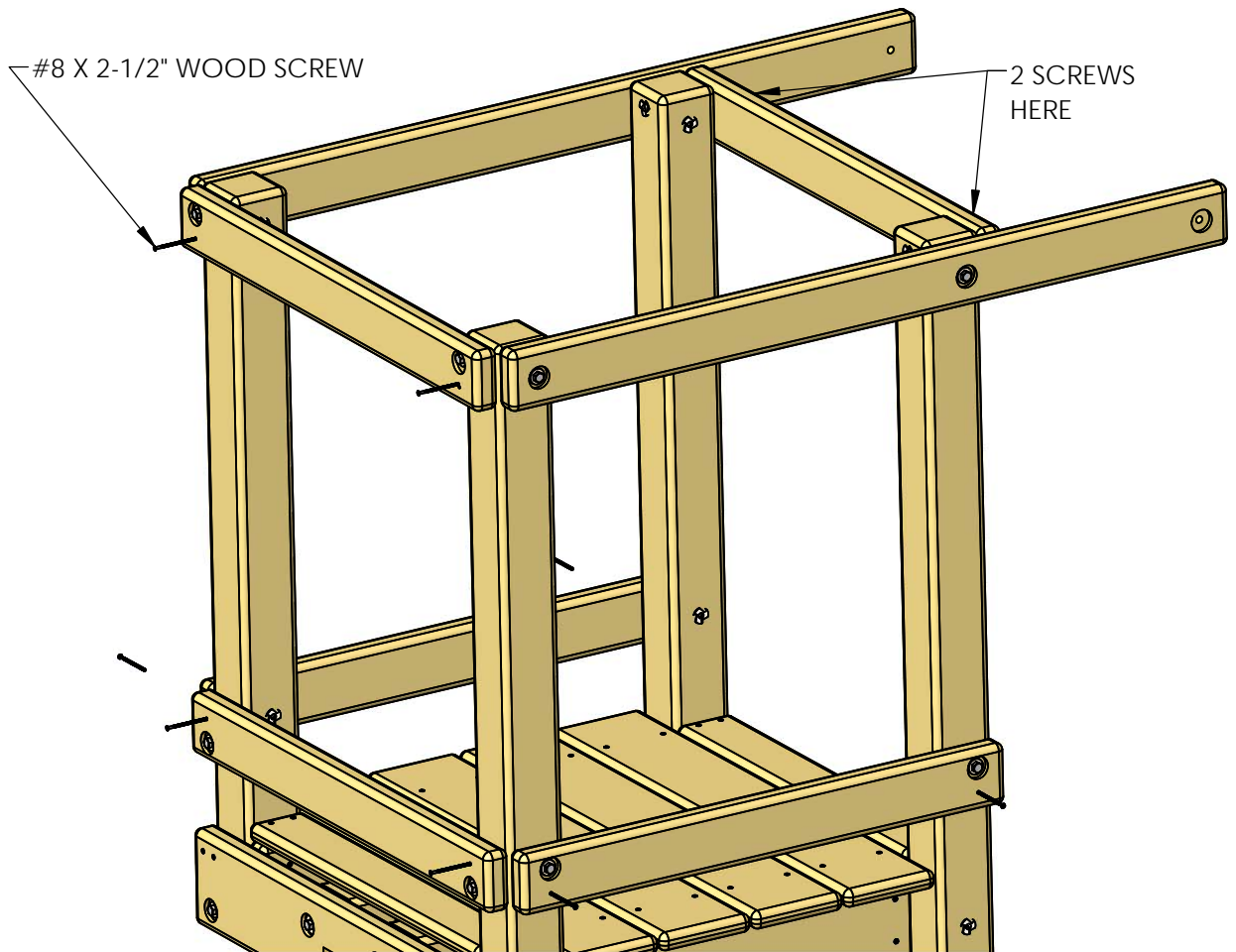
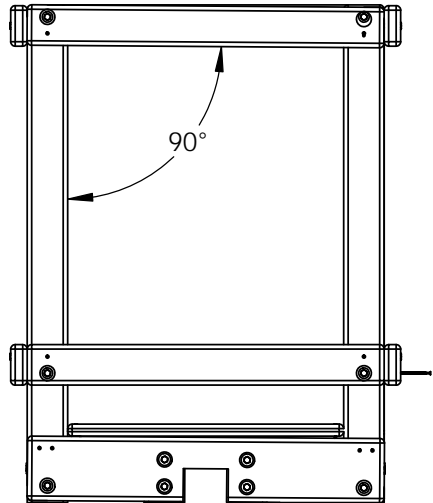
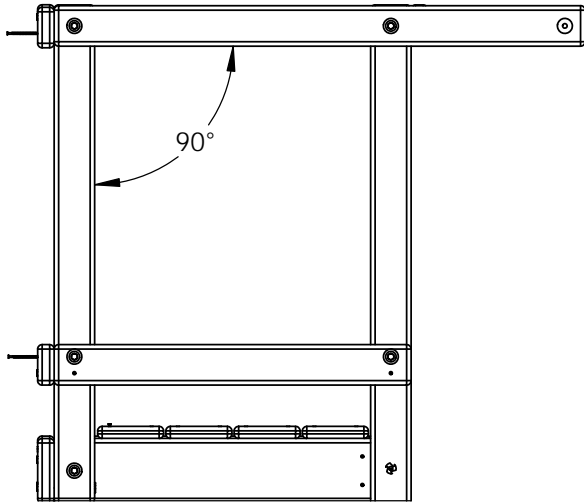
\* NOTE COUNTERBORED HOLE POSITIONS.



## STEP 11A: SECURING RAILS.

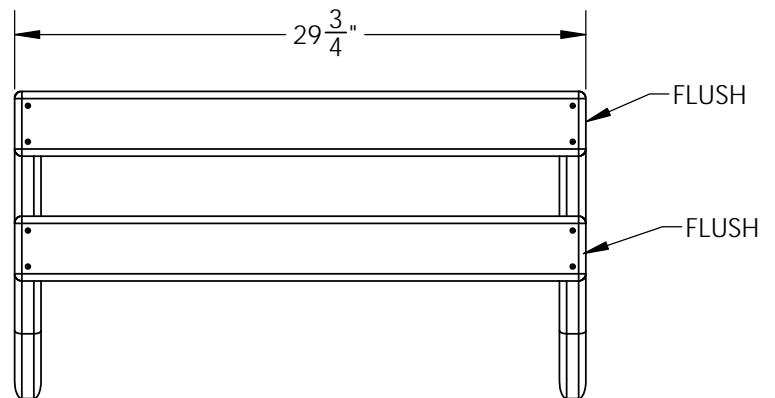
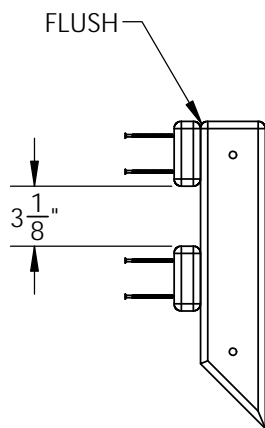
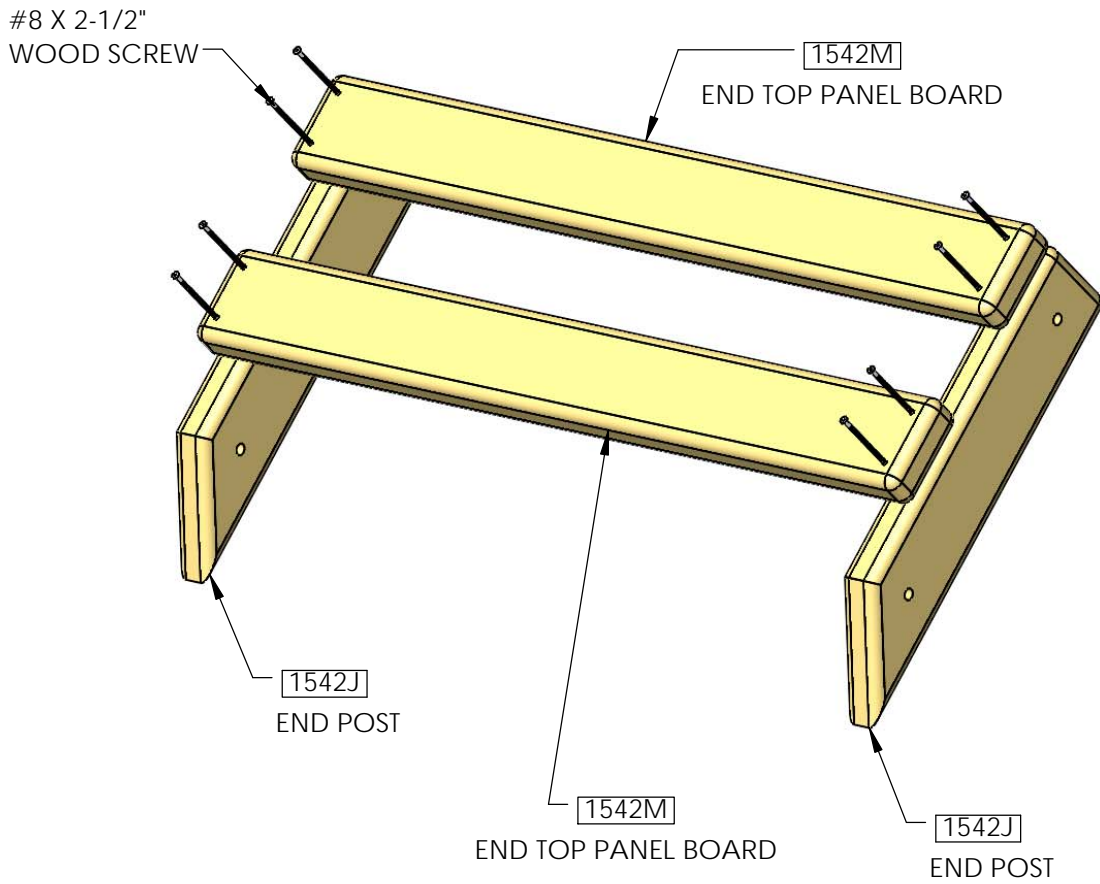
1: ENSURE ALL RAILS ARE SQUARE BEFORE SECURING TO THE POSTS.

2: SECURE WITH WOOD SCREWS.



# STEP 12: FRONT PANEL ASSEMBLY

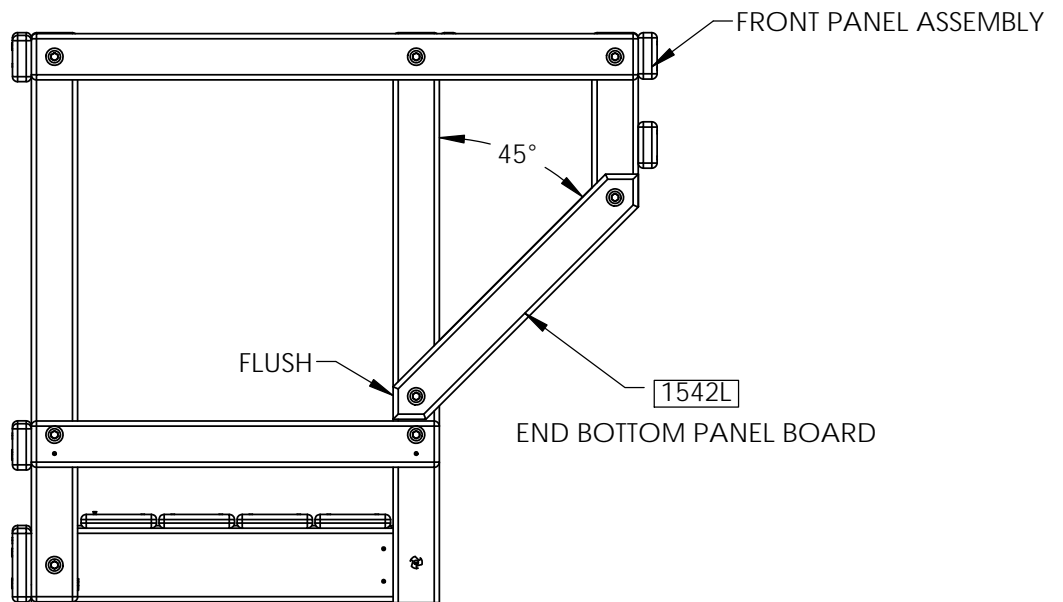
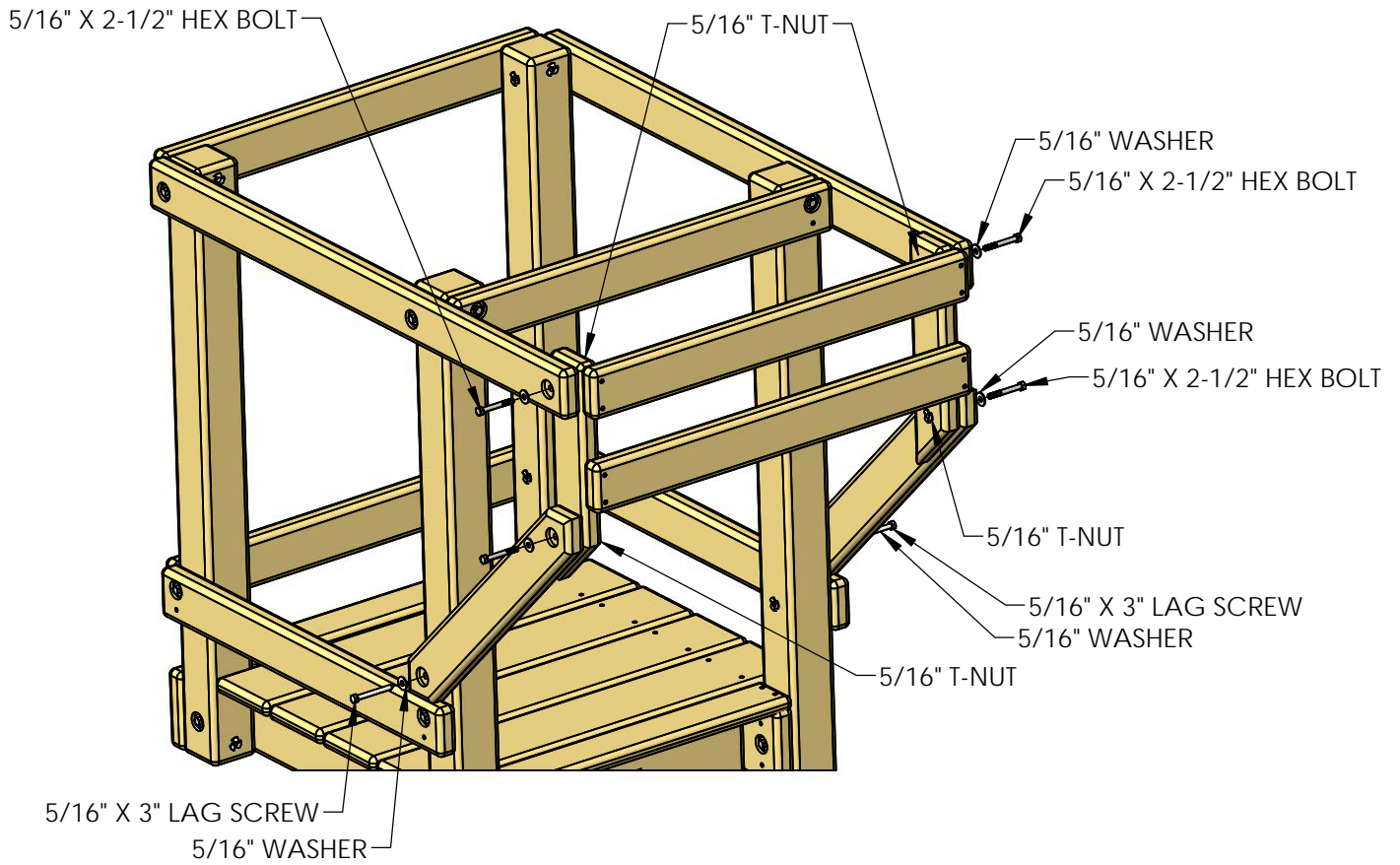
1: INSTALL BOARDS AS SHOWN BELOW.



# STEP 13: FRONT PANEL & BOTTOM PANEL BOARD

1: INSTALL T-NUTS ON THE INSIDE OF THE END POSTS WHERE SHOWN.

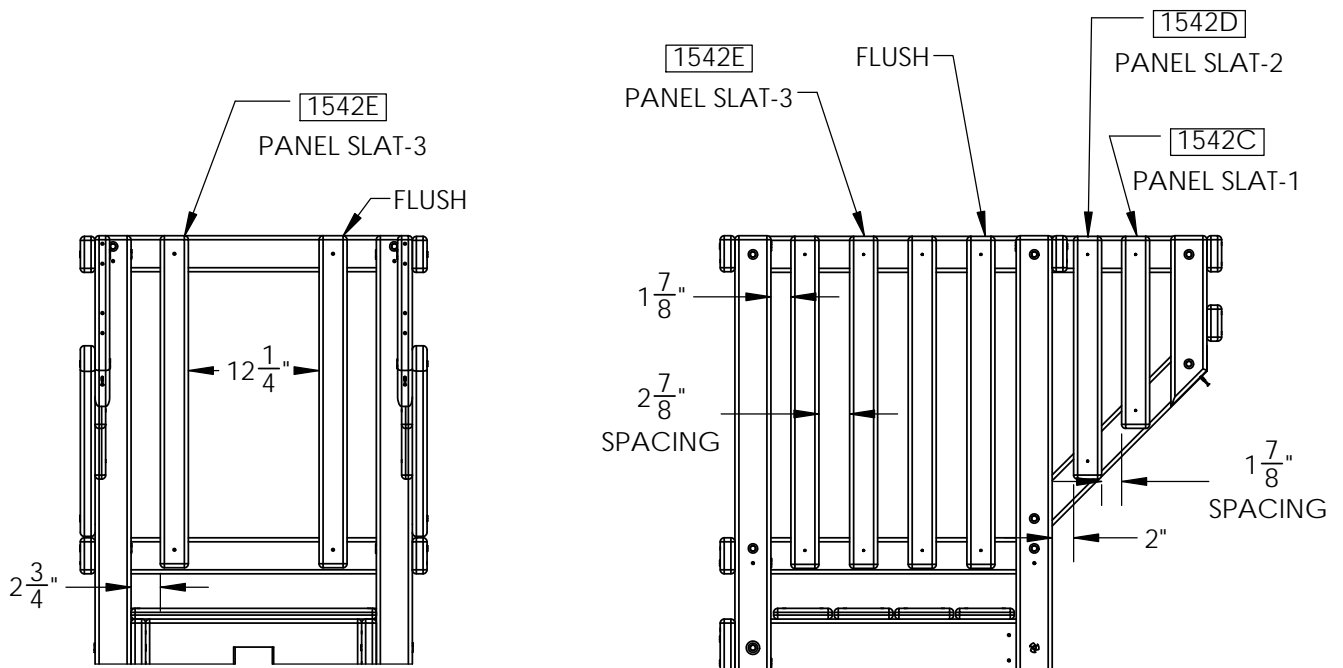
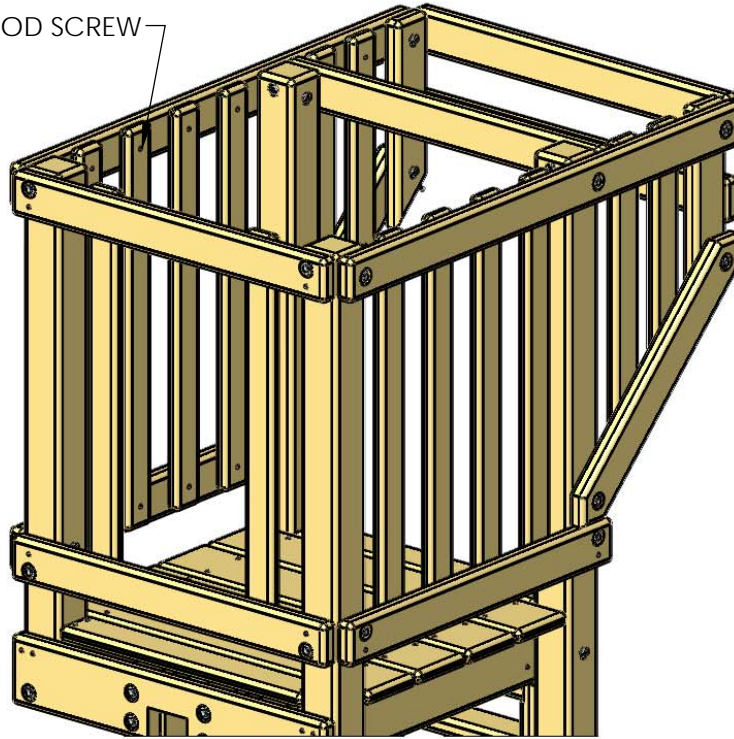
2: INSTALL BOARDS AS SHOWN BELOW.



# STEP 14: PANEL SLATS

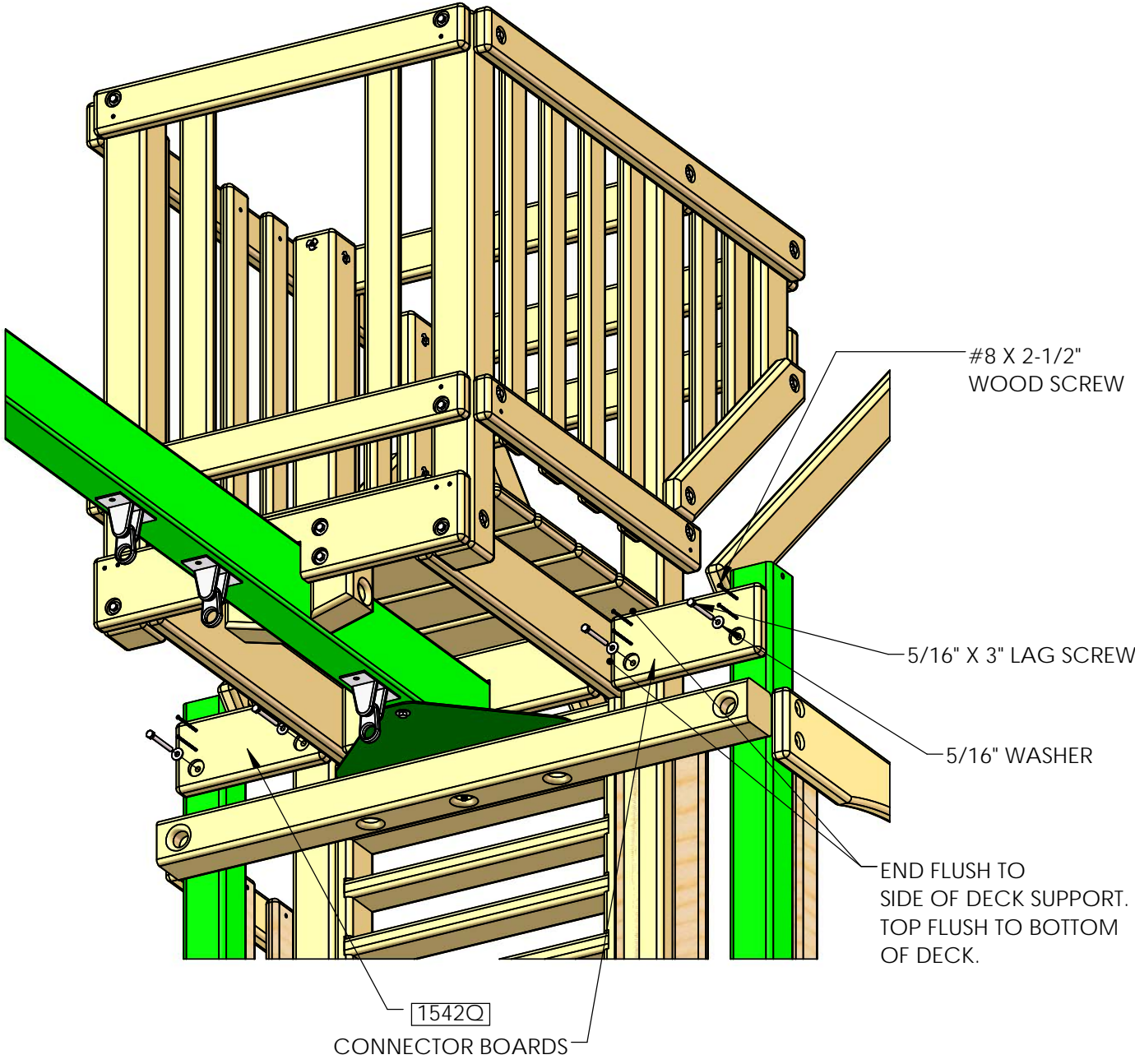
1: INSTALL PANEL SLATS AS SHOWN BELOW.

#8 X 2" WOOD SCREW



# STEP 15: CONNECTOR BOARDS TO FORT

1: INSTALL BOARDS AS SHOWN BELOW.

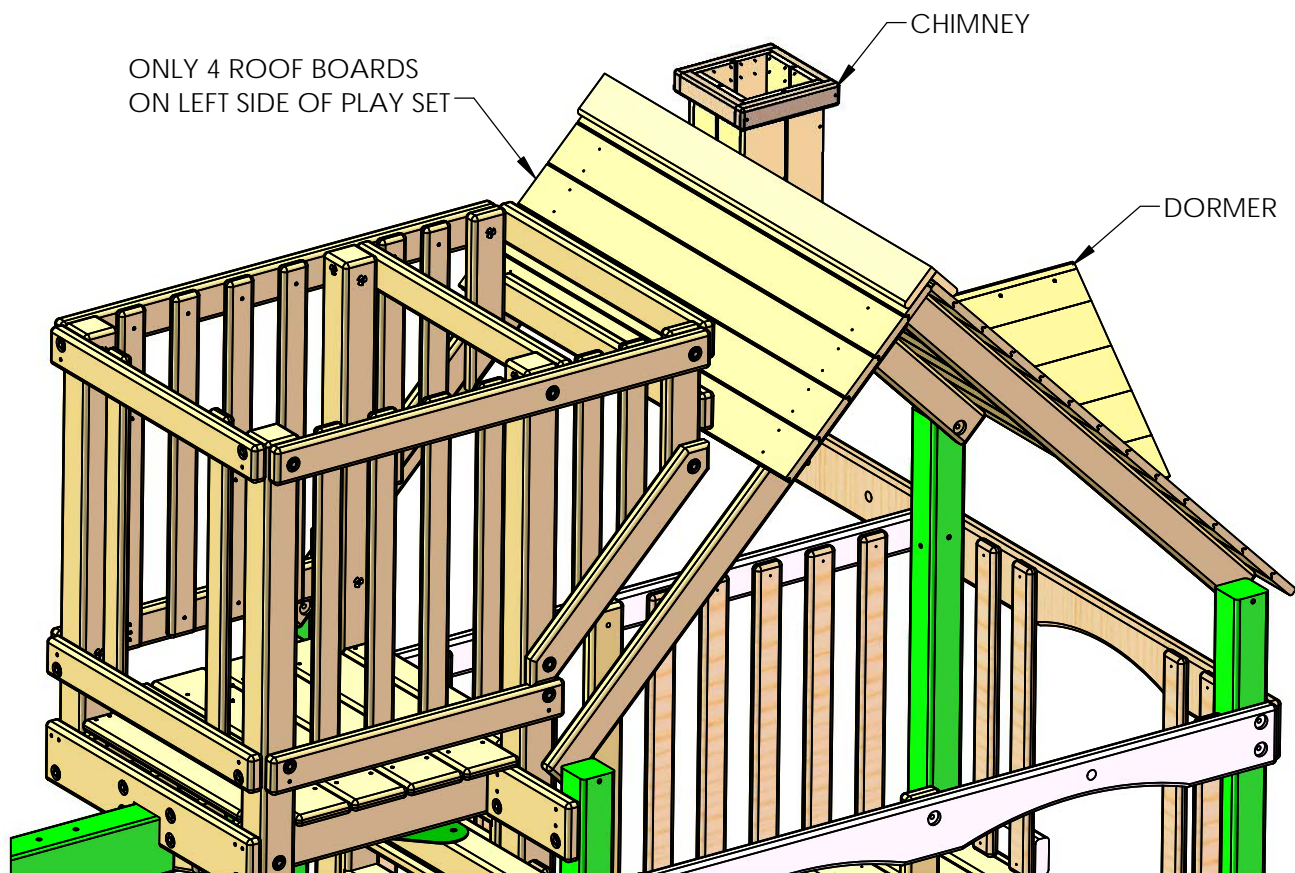


## STEP 16: INSTALLING PLAY SET WOOD ROOF

1: COMPLETE WOOD ROOF INSTALLATION ON THE RIGHT SIDE OF YOUR PLAY SET AS SHOWN IN YOUR MAIN PLAY SET INSTRUCTION MANUAL.

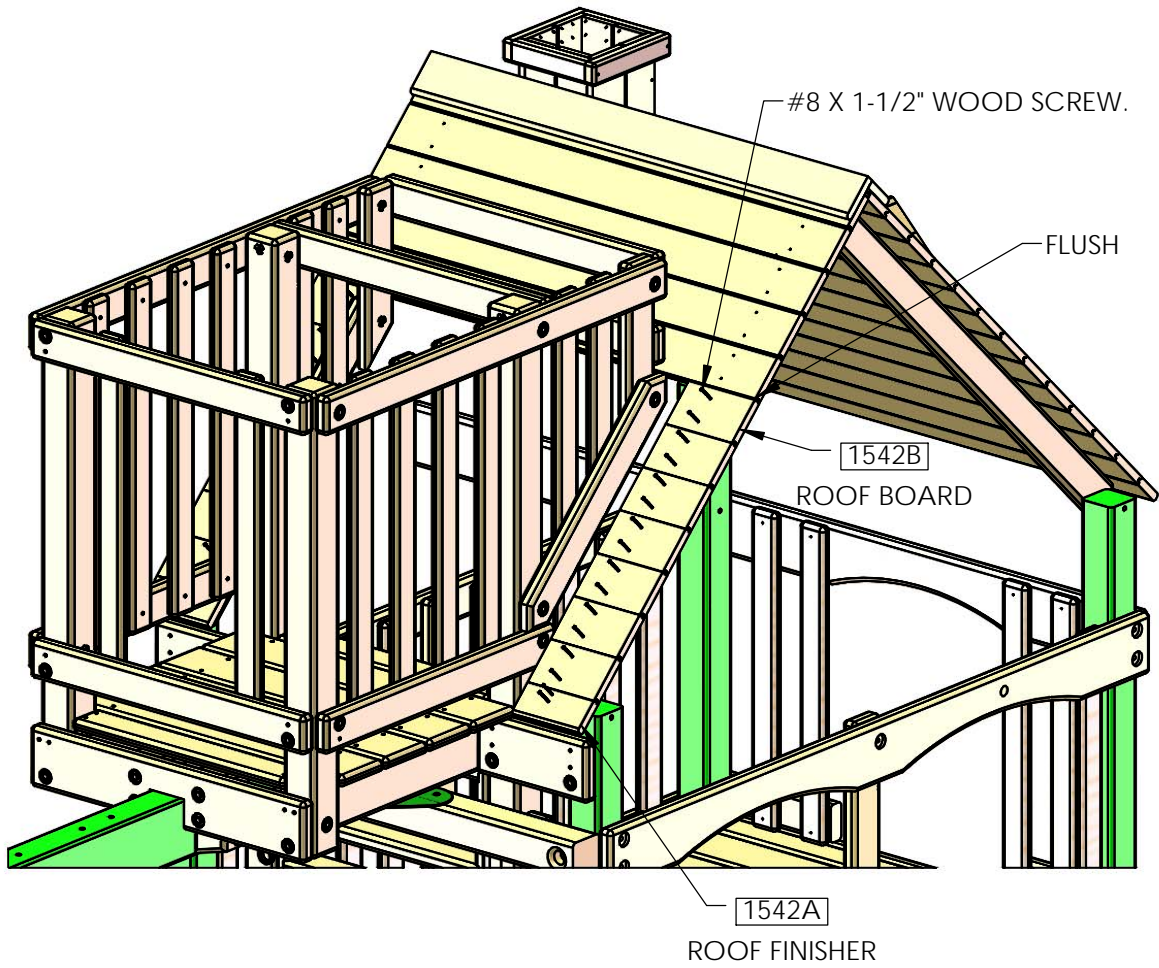
2: THE CHIMNEY WILL BE INSTALLED ON THE RIGHT SIDE OF THE ROOF AS SHOWN BELOW.

3: INSTALL 4 ROOF BOARDS ON THE LEFT SIDE OF YOUR PLAY SET AS SHOWN BELOW.  
NOTE: THERE WILL BE NO DORMER INSTALLED ON THE LEFT SIDE OF THE ROOF. ONE DORMER WILL BE LEFT OVER AFTER THE ROOF IS COMPLETED.



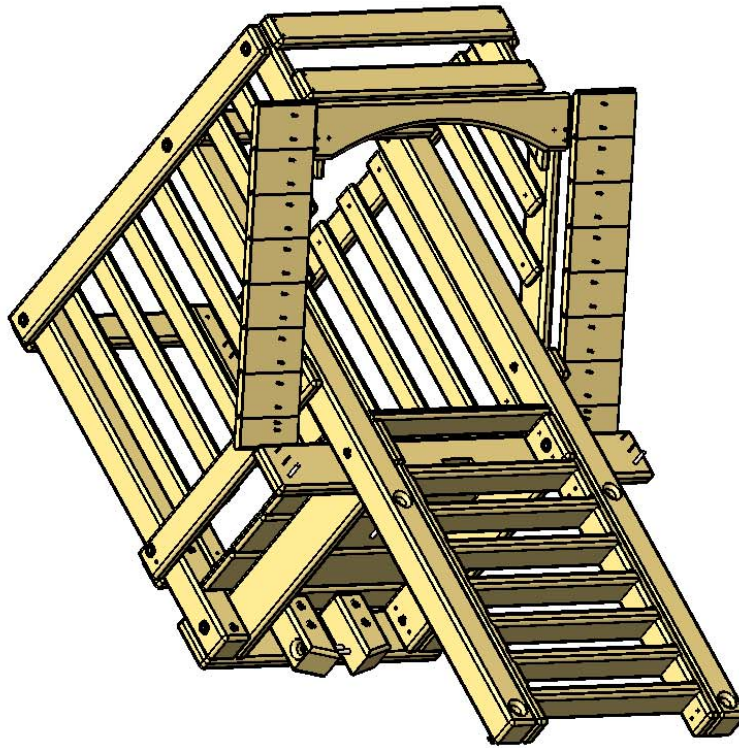
# STEP 16A: SKY LOFT WOOD ROOF.

1: INSTALL ROOF BOARDS AS SHOWN BELOW.



## STEP 17: ENTRY BOARD

1: INSTALL ENTRY BOARD BETWEEN THE SHORT ROOF BOARDS, FLUSH TO THE BOTTOM OF THE LONG ROOF BOARD.

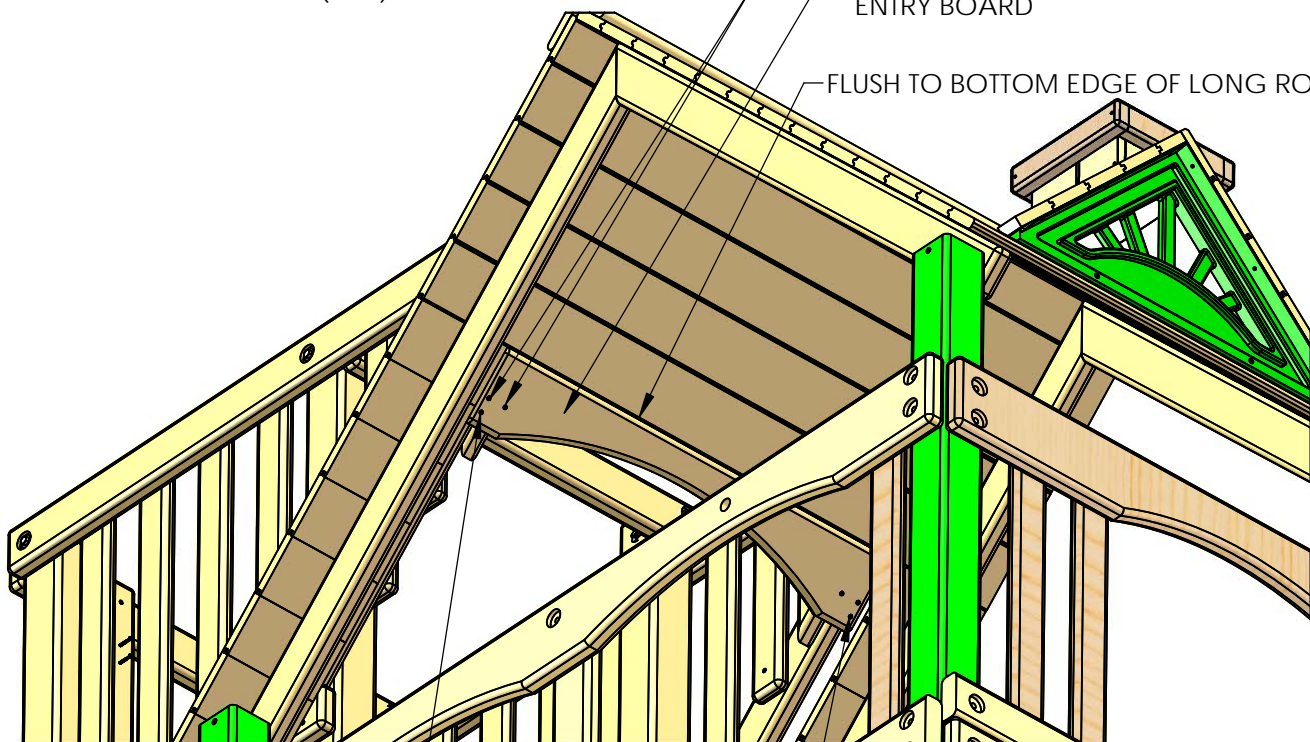


#8 X 2" WOOD SCREWS  
(TOP)

1542H

ENTRY BOARD

FLUSH TO BOTTOM EDGE OF LONG ROOF BOARD.

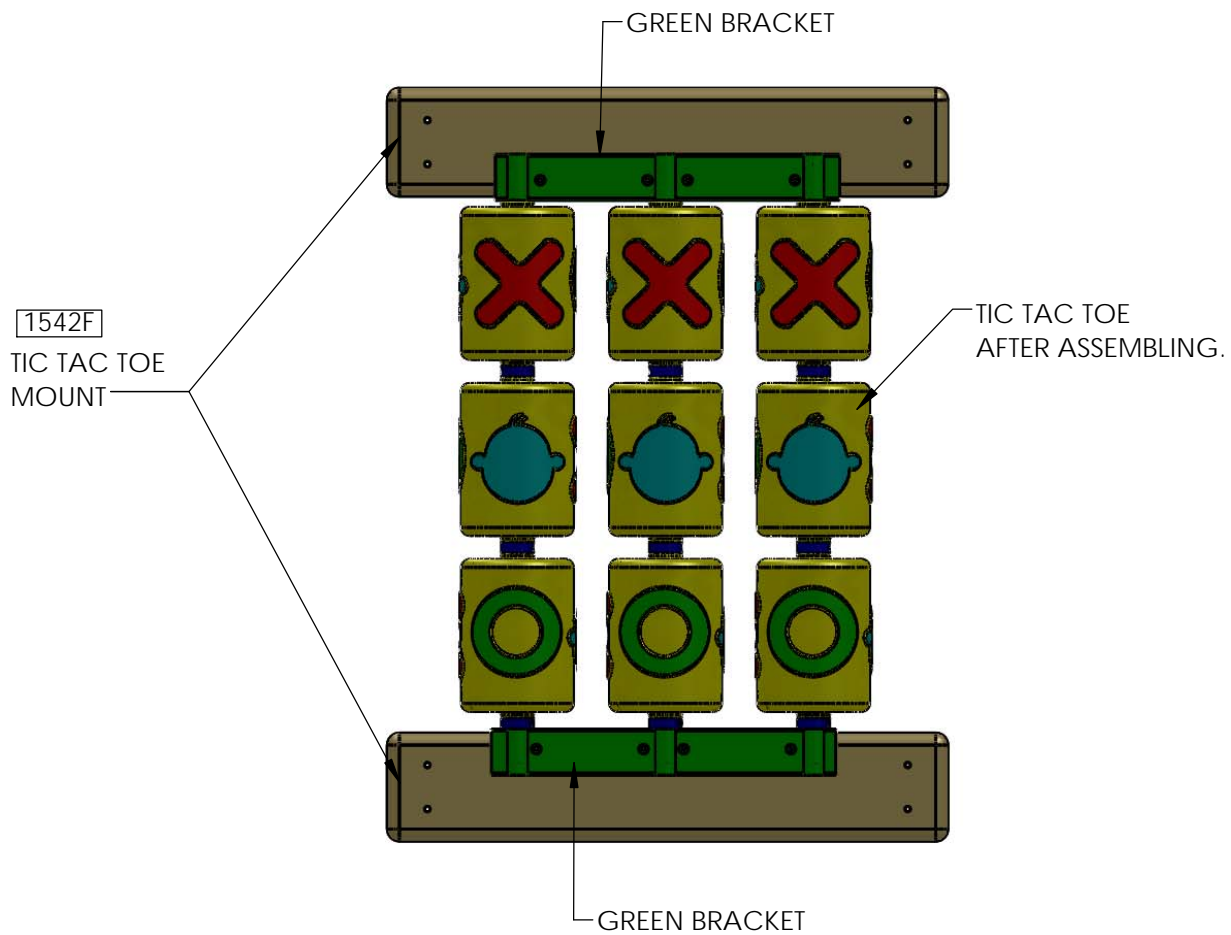


#8 X 2-1/2" WOOD SCREW  
(BOTTOM)

## STEP 17A: TIC TAC TOE ASSEMBLY

1: FOLLOW THE INSTRUCTIONS IN THE BOX TO ASSEMBLE THE TIC TAC TOE OMITTING STEPS 6 AND 7.

2: USE THE SCREWS INCLUDED WITH THE TIC TAC TOE TO ATTACH THE GREEN BRACKETS TO THE TIC TAC TOE MOUNTS. EACH GREEN BRACKET SHOULD BE CENTERED OVER THE TIC TAC TOE MOUNT. A PHILLIPS SCREWDRIVER OR BIT WILL BE REQUIRED.

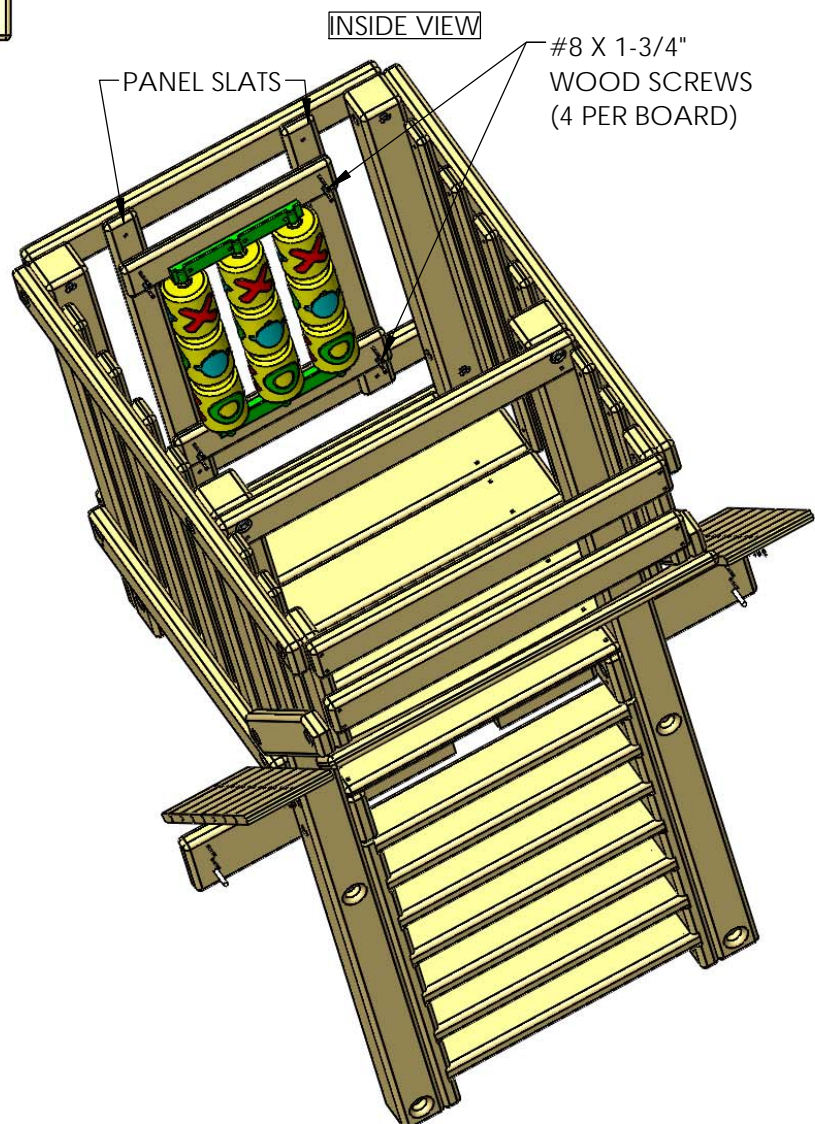
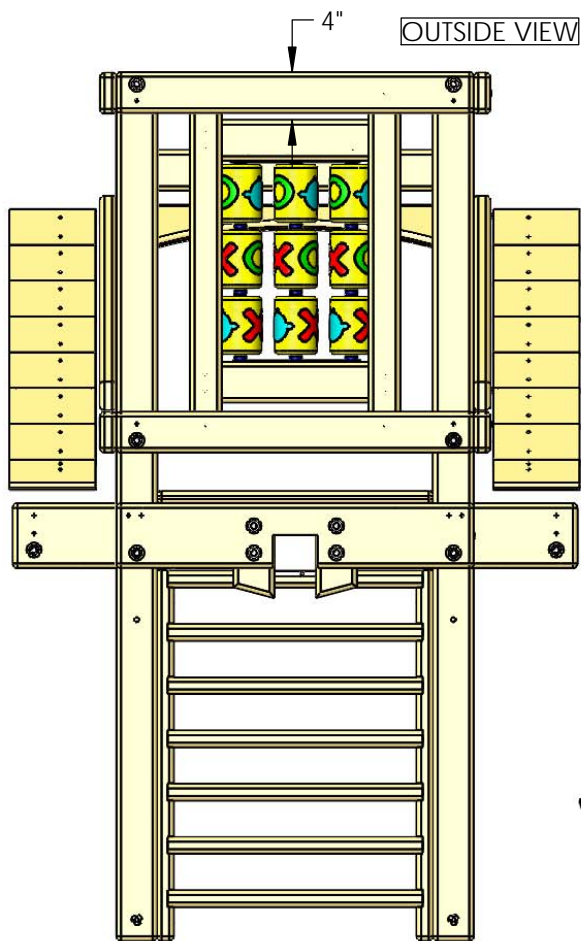


## STEP 17B: TIC TAC TOE ASSEMBLY

1: PLACE THE TIC TAC TOE ASSEMBLY ON THE INSIDE OF THE PANEL SLATS AS SHOWN IN THE BOTTOM IMAGE.

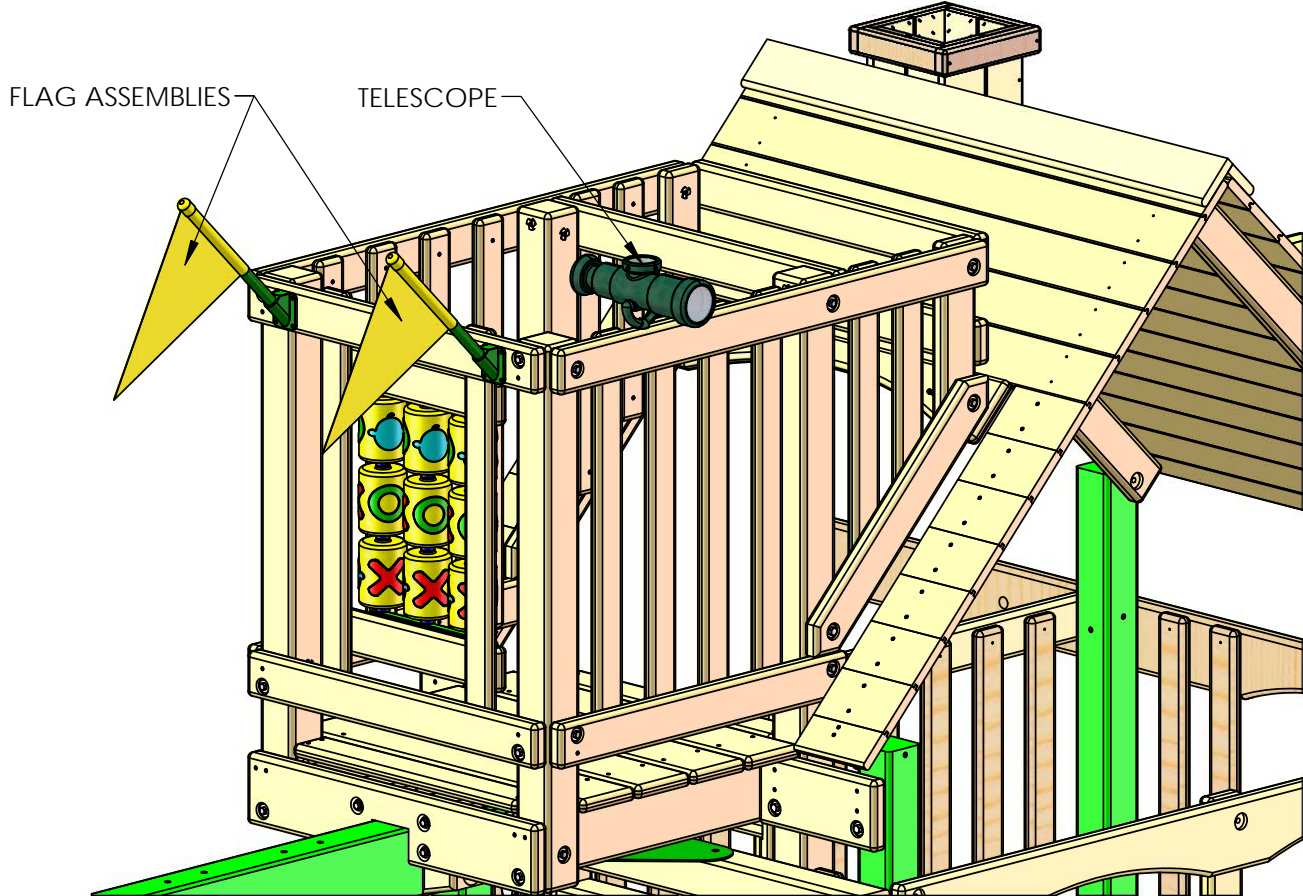
2: PLACE THE TOP OF THE TIC TAC TOE BOARD 4" DOWN FROM THE TOP OF THE PANEL SLAT.

3: FASTEN AS SHOWN.

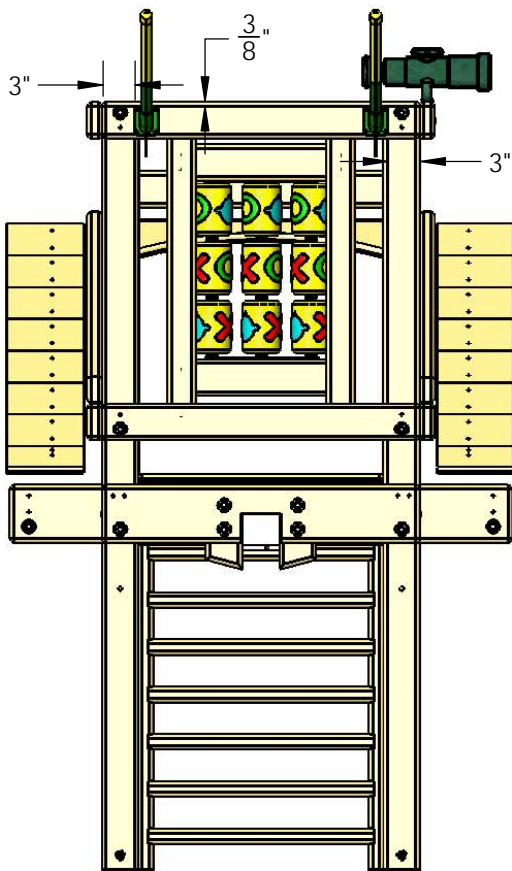


# STEP 18: ACCESSORIES

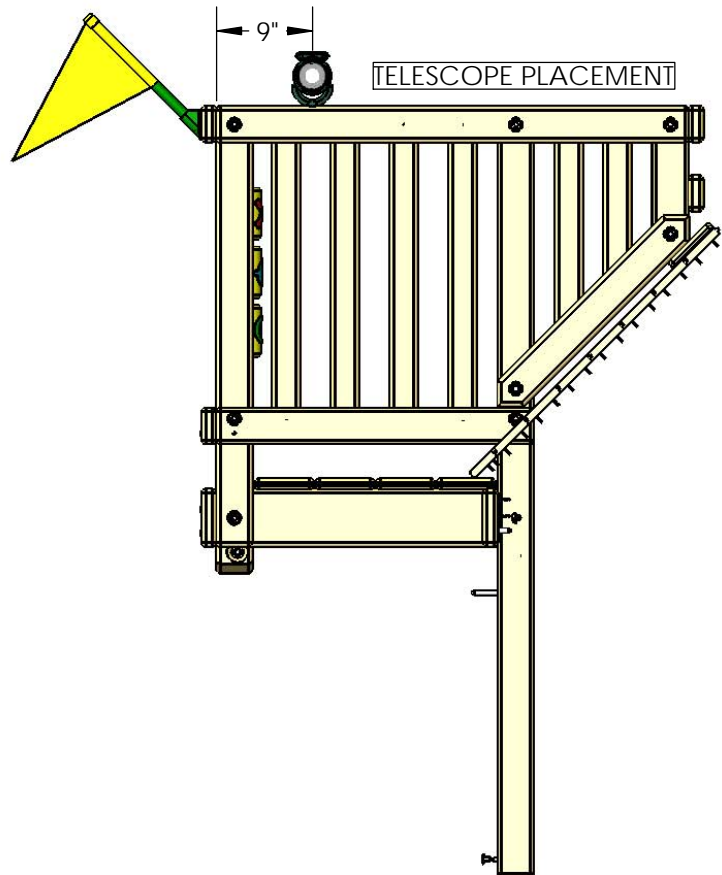
1: INSTALL THE ACCESSORIES BELOW USING THE INSTRUCTIONS INCLUDED WITH THEM FOR ASSEMBLY. USE THE BOTTOM IMAGES BELOW FOR PLACEMENT.



FLAG PLACEMENT

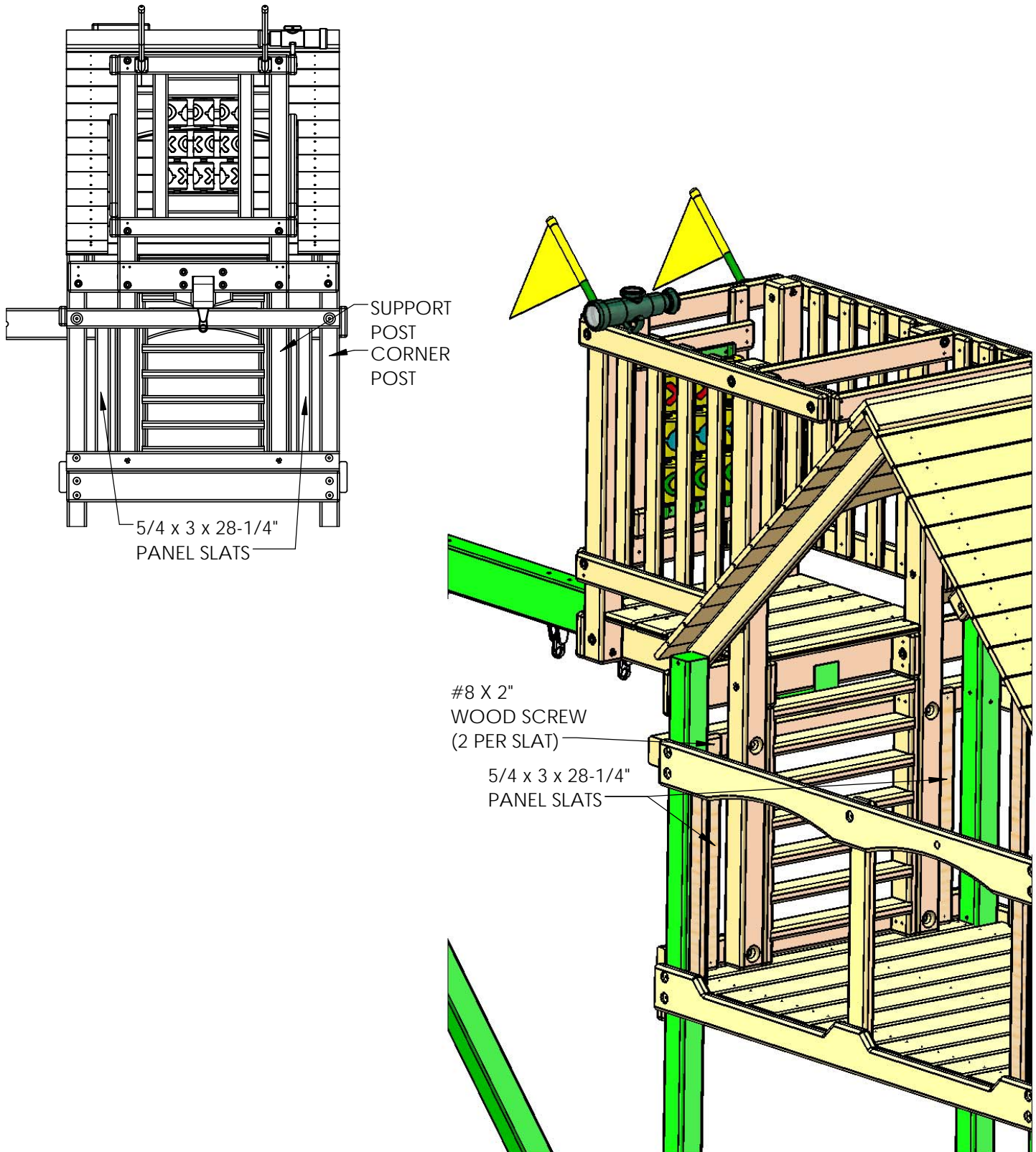


TELESCOPE PLACEMENT



## STEP 19: PANEL SLATS AT DECK

- 1: LOCATE THE 5/4 X 3 X 28-1/4" PANEL SLATS FROM THE MAIN PLAYSET PARTS BOXES.
- 2: EQUALLY SPACE A PANEL SLAT BETWEEN THE CORNER POST AND THE SUPPORT POST ON EACH SIDE.
- 3: FASTEN EACH SLAT WITH #8 X 2" WOOD SCREWS..



## STEP 20: GRAB HANDLES

1: PLACE THE GRAB HANDLES AS SHOWN AND FASTEN THEM WITH THE HARDWARE THAT IS INCLUDED WITH THEM.

