

Project		Catalog #		Type	
Prepared by		Notes		Date	



HALO

SMD4 Series

4" Round and Square

Typical Applications

Residential

Interactive Menu

- Order Information page 2
- Photometric Data page 4
- Control Solutions page 4
- Connected Systems page 4
- Product Warranty

Top Product Features

- Ultra-low profile surface luminaire with wide distribution
- Ceiling or wall mounting in compatible junction boxes
- Retrofit 4" recessed downlights with screwbase adapter included
- 2700K, 3000K, 3500K, 4000K or 5000K color temperature; 90 CRI
- Dimmable with 120V dimmer

Product Certification



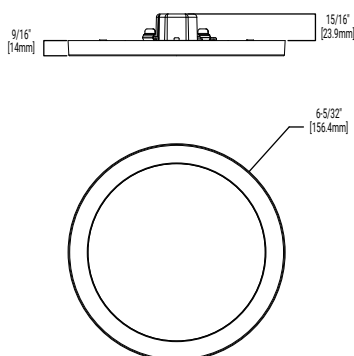
Refer to ENERGY STAR® Certified Products List.
Can be used to comply with California Title 24 High Efficacy requirements.
Certified to California Appliance Efficiency Database under JAB.

Product Features

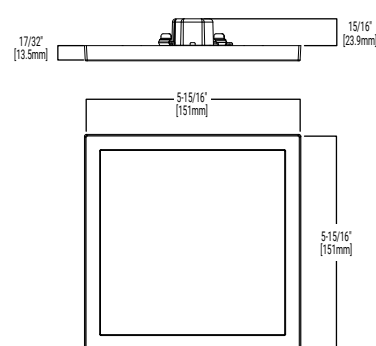


Dimensional and Mounting Details

SMD4RXXVH



SMD4SXXVH





Order Information

SAMPLE NUMBER: **SMD4R6930WH=4"** Round Surface Mount Downlight, 90CRI, 3000K

Junction Box Installation: Order junction box separately, as supplied by others, to complete installation.

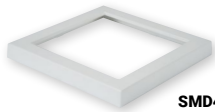
Recessed Installation: Order Halo recessed housing separately to complete installation.

Models	Lumens	CRI / CCT	Finish	Accessories	Packaging
SMD4R = 4" Round Surface Mount Downlight, 120V SMD4S = 4" Square Surface Mount Downlight, 120V	6 = 600 lumen series	927 = 90CRI, 2700K 930 = 90CRI, 3000K 935 = 90CRI, 3500K 940 = 90CRI, 4000K 950 = 90CRI, 5000K	WH = Matte White	Designer Trims SMD4RTRMSN = 4" Round SMD Satin Nickel SMD4RTRMTBZ = 4" Round SMD Tuscan Bronze SMD4RTRMWH = 4" Round SMD White (paintable) SMD4STRMSN = 4" Square SMD Satin Nickel SMD4STRMTBZ = 4" Square SMD Tuscan Bronze SMD4STRMWH = 4" Square SMD White (paintable) T24HWKIT = Title 24 Cable harness kit used to convert incandescent and low voltage housings to LED HE26LED = E26 Screw base adapter for retrofit (included)	R = Recycled
				 T24HWKIT	 HE26LED E26 Screw base adapter for retrofit (included)

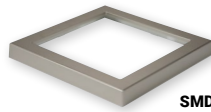
*For T20 California product, apply "-CA" to the catalog number (i.e. SMD4R6930WH-CA)

Accessories

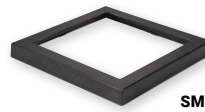
Designer Trims



SMD4STRMWH
square, white (paintable)



SMD4STRMSN
square, satin nickel



SMD4STRMTBZ
square, tuscan bronze



SMD4RTRMWH
round, white (paintable)



SMD4RTRMSN
round, satin nickel



SMD4RTRMTBZ
round, tuscan bronze

Housings

Compatible Halo LED Housings with LED luminaire connector
(high-efficacy compliant)

Halo LED Housings

H9951CAT = 4" IC, airtight shallow new construction housing, LED, 120 - 277V
H9951CAT = 4" IC, airtight shallow remodeler housing, LED, 120 - 277V
H2451CAT = 4" IC, airtight ultra-shallow new construction housing, LED, 120 - 277V
H2451CAT = 4" IC, airtight ultra-shallow remodeler housing, LED, 120 - 277V

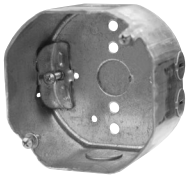
Housings

Compatible Halo Incandescent E26 Screwbase Housings

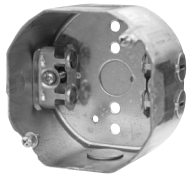
Halo Housings

H99TAT = 4" non-IC, airtight shallow new construction housing, E26, 120V
H99RTAT = 4" non-IC, airtight shallow remodeler housing, E26, 120V
H991CAT = 4" IC, airtight shallow new construction housing, E26, 120V
E4TATSB = 4" non-IC, airtight shallow new construction housing, adjustable socket bracket, E26, 120V
E4RTATSB = 4" non-IC, airtight shallow remodeler housing, adjustable socket bracket, E26, 120V
E41CATSB = 4" non-IC, airtight shallow new construction housing, adjustable socket bracket, E26, 120V

Compatible with Eaton's Crouse-Hinds Junction Boxes



TP316
for non-metallic cable
4" x 4" x 2-1/8"
(102mm x 102mm x 54mm)



TP317
for metal clad cable
4" x 4" x 2-1/8"
(102mm x 102mm x 54mm)

- **TP316** - for non-metallic cable
- **TP317** - for metal clad cable
- UL Listed
- Refer to www.crouse-hinds.com

Compatible with Many Other Junction Boxes*



4" octagon light fixture/fan steel box
4" x 4" x 2-1/8"
(102mm x 102mm x 54mm)



4" octagon steel box
4" x 4" x 1-1/2"
(102mm x 102mm x 38mm)



4" square deep steel box
4" x 4" x 2-1/8"
(102mm x 102mm x 54mm)



4" square standard steel box
4" x 4" x 1-1/2"
(102mm x 102mm x 38mm)



4" round new work non-metallic light fixture/fan box
4" diameter x 2-3/16"
(102mm x 56mm)



3-1/2" round new work non-metallic ceiling box
3-1/2" diameter x 2-3/4"
(89mm x 70mm)



3-1/2" round old work non-metallic box
4-1/4" O.D. flange, 3-1/2" I.D. x 2-5/8"
(108mm O.D., 89mm I.D. x 67mm)



4" round surface mount box
4" diameter x 1-1/2"
(102mm x 38mm)
Requires SLD4RAD adapter



4" round new work non-metallic box with hanger bar assembly
4" diameter x 2-3/16" (102mm x 56mm)

*This is a representative list of compatible junction boxes only. Information contained in this literature about other manufacturers' products is from published information made available by the manufacturer and is deemed to be reliable, but has not been verified. Cooper Lighting Solutions makes no specific recommendation on product selection and there are no warranties of performance or compatibility implied. Installer must determine that site conditions are suitable to allow proper installation of the mounting bracket in the box.

Product Specifications

Housing

- Non-electrically conductive polycarbonate frame.
- High impact diffuse polystyrene lens provides shielding to the light guide with no pixilation
- Stamped aluminum housing provides thermal cooling achieving L70 at 50,000 hours in IC and non-IC applications

Gaskets

- Closed cell gasket achieves restrictive airflow and wet location requirements without additional caulking

Optics

- Precision acrylic light guide organizes source flux into wide distribution with 1.2 – 1.4 spacing criteria useful for general area illumination

LED

- Mid power led array provide a uniform source with high efficiency and long life
- Available in 90 CRI minimum, R9 greater than 50 and color accuracy within 3 SDCM provide color accuracy and uniformity

Driver

- Integral 120V 50/60Hz constant current driver provides noise free operation
- Continuous, flicker-free dimming from 100% to 5% with select leading or trailing edge 120V phase cut dimmers
- Dimming to 5% is best assured using dimmers with low end trim adjustment. Consult dimmer manufacturer for compatibility and conditions of use. (Note some dimmers require a neutral in the wallbox.)
- Inline electrical quick connect and E26 adapter (provided) provides mains connections.

Mounting/Retention

- Adjustable spider plate allows for quick installation into both junction boxes and recessed housings
- Friction blades included

Electrical Junction Box Mounting

- The SMD may be used in compatible electrical junction boxes in direct contact with insulation including spray foam insulation
- Suitable for installation in many 3-1/2" and 4" square, octagon, and round electrical junction boxes
- Installer must ensure compatibility of fit, wiring and proper mounting in the electrical junction box. This includes all applicable national and local electrical and building coded

Recessed Housing Mounting

- May be installed in IC recessed housings in direct contact with insulation
- Note:** Not for use in recessed housing in direct contact with spray foam insulation. Refer to NEMA L5D 57-2013

Friction Blade 4"

- Precision formed friction blades included
- For retrofit in 4" nominal housings
- Friction blade design allows the SMD to be installed in any position within the housing aperture (360 degrees)

Designer Skins (Sold Separately)

- SMD skins are accessory rings in both round and square. These skins attach to the SMD for a permanent finish. Refer to the SMD accessories specification sheet for details.
 - Matte White (Paintable)
 - Satin Nickel
 - Tuscan Bronze

Compliance

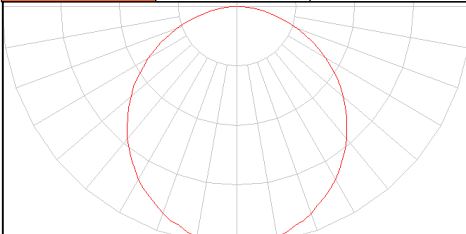
- cULus listed / certified for use with Halo housings, classified for use with other's housings, see instruction sheet for conditions of acceptability.
- Wet and Damp Location listed, airtight per ASTM-E283
- Suitable for use in closets, compliant with NFPA® 70, NEC® Section 410.16 (A)(3) and 410.16 (C)(5)
- EMI/RFI emissions per FCC 47CFR Part 15B
- Contains no mercury or lead and RoHS compliant.
- Photometric testing in accordance with IES LM-79-08
- Lumen maintenance projections in accordance with IES LM-80-08 and TM-21-11
- Can be used for State of California Title 24 high efficacy luminaire compliance, reference the California Energy Commission Title 20 Appliance Efficiency Database for current listings
- Can be used for International Energy Conservation Coe (IECC) and Washington State Energy Code high efficiency luminaire compliance

Warranty

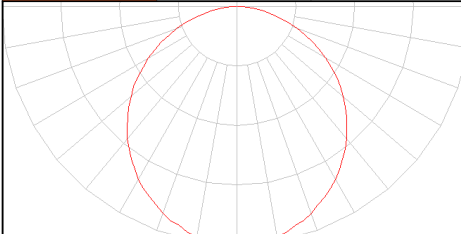
- Five year limited warranty, consult website for details. www.cooperlighting.com/warranty

Photometric Data

SMD4R6927WH		
Luminaire lumens		690
Input watts		9.5
LER (LPW)		73
Spacing Criteria	0-180	1.26
	90-270	1.26
	Diagonal	1.38
Beam angle (degrees)		112
Field angle (degrees)		162
Max. Candela		243
Zonal lumen	Lumens	% Lumens
0-30	187	27.2%
0-40	306	44.5%
0-60	542	78.6%
0-90	690	100.00%



SMD4S6927WH		
Luminaire lumens		750
Input watts		9.5
LER (LPW)		79
Spacing Criteria	0-180	1.24
	90-270	1.24
	Diagonal	1.36
Beam angle (degrees)		109
Field angle (degrees)		162
Max. Candela		278
Zonal lumen	Lumens	% Lumens
0-30	207	27.6%
0-40	336	44.9%
0-60	589	78.6%
0-90	750	100.00%



Energy Data

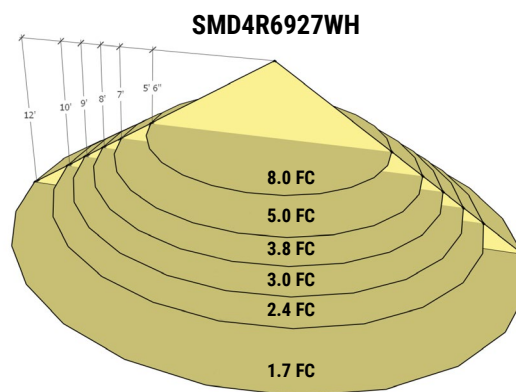
	Round	Square
Lumens (5000K models)	786	810
Input Power	9.7 W	10 W
Input Current	0.0811 A	0.0829 A
Efficiency	81 lm/W	81 lm/W
THD	13.3	13.2
Input Voltage	120V	
Frequency	50/60 Hz	
CRI	90 CRI	
Power Factor	0.99	
T Ambient	-30 - +40°C	
Sound Rating	Class A	

Cat. No.	CRI	CCT	Lumens	Power (W)	LPW
SMD4R6927WH	93	2700	690	9.50	72.6
SMD4R6930WH	93	3000	700	9.70	72.2
SMD4R6935WH	94	3500	740	9.70	76.3
SMD4R6940WH	94	4000	760	9.80	77.6
SMD4R6950WH	91	5000	786	9.70	81.0

SMD4S6927WH	92	2700	750	9.50	78.9
SMD4S6930WH	92	3000	790	9.90	79.8
SMD4S6935WH	93	3500	740	9.90	74.7
SMD4S6940WH	93	4000	800	10.10	79.2
SMD4S6950WH	90	5000	810	10.00	81.0

Foot-candle Values at Nadir 0 degree Aiming Angle			
DD (FT)	SMD4R6927WH (FC)	SMD4S6927WH (FC)	DIA (FT)
5.5	8.0	9.2	16.3
7	5.0	5.7	20.9
8	3.8	4.3	23.8
9	3.0	3.4	26.8
10	2.4	2.8	29.7
12	1.7	1.9	35.7

DD = distance down to illuminated work plane
 FC = initial foot-candles at nadir
 DIA = diameter



Multiplier Table					
CCT Option	2700K	3000K	3500K	4000K	5000K
CCT Multiplier	1.00	1.014	1.042	1.083	1.083