

PC1230D4T, PC1630D4T,
PC2030D4T, PC2430D4T,
PC1240D4T, PC1640D4T,
PC2040D4T, PC2440D4T,

PC1648D4T, PC2048D4T,
PC2448D4T,

PC1230D6T, PC1630D6T,
PC2030D6T, PC2430D6T,
PC1240D6T, PC1640D6T,
PC2040D6T, PC2440D6T,

CONTENTS

General Information - **1**

Tools Needed - **2**

Parts - **2**

Notes - **3**

Model Numbers - **3**

Dimensions - **4**

Removing the Door for ease
of Installation - **5**

Electric Connections - **5**
Option 1 - 7
Option 2 - 8

Recess Mounting - **9**

Surface Mounting - **11**

Final Assembly - **14**

Use and Maintenance - **16**

Warranty - **16**

GENERAL INFORMATION

This instruction sheet contains information on how to install the Profiles framed cabinets. This series comes in various sizes. Refer to specific model numbers for dimensions. Read the specific instruction for how your cabinet will be mounted. The cabinets can be surface mounted or recess mounted.

Save these instructions for future use and reference.

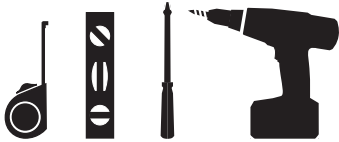
An improper installation voids the warranty. Installed cabinets cannot be returned. If you experience any problems with your cabinet, contact your dealer or Robern directly.



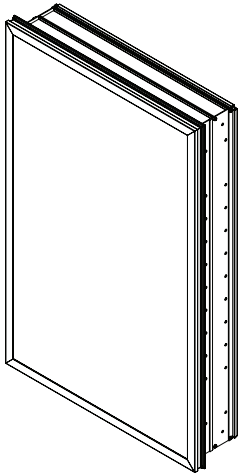
WARNING: Magnetic Accessory Tool Holder can be harmful to pacemaker wearers and others with medical implants.

Limited Warranty — One Year Term

TOOLS NEEDED



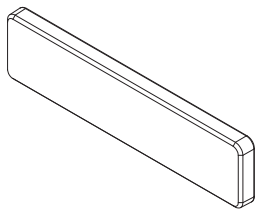
PARTS




(1) Profiles Framed Cabinet
(3-4) Glass Shelf

[216-1096] Hardware Bag				
 [SS674] (6) #10 x 2" Screw	 [SS666] (3) Hinge Clip	 [SS134] (50 / 100) Hole Plug	 [SS672] (6 / 12) Screw Cap	 [SS131] (16 / 32) Shelf Clip

[205-1784]
Magnetic Accessory Tool Holder





(30")MSMK30D4P, (40")MSMK40D4P, (48")MSMK48D4P
Optional for surface mounting

 (2) Glass Side Panel	 [SS672] (12) Screw Cap	 [203-1349] (6) Wall Anchors	 [SS674] (6) #10 x 2" Screw
	 [SS676] (12) #10 x 1/2 Screw	 [SS712] (3) Top Clip	 (2) Z Mounting Bars

NOTES

When using an electrical furnishing, basic precautions should always be followed, including the following:

⚠ DANGER: Read all instructions before using this cabinet.

⚠ WARNING: To reduce the risk of burns, fire, electric shock, or injury to persons: Use this furnishing only for its intended use as described in these instructions. Do not use attachments not recommended by the manufacturer. Never drop or insert any object into any opening. Do not use outdoors.

⚠ WARNING: Risk of electric shock. Connect this furnishing to a properly grounded circuit only. See Grounding instructions.

⚠ CAUTION: Maximum shelf load 34lbs/15.4kg

⚠ GROUNDING INSTRUCTIONS: This product must be connected to a grounded metal, permanent wiring system, or an equipment-grounding conductor must be run with the circuit conductors and connected to the equipment-grounding terminal or lead on the product.

⚠ WARNING: An Electrical option cabinet must be wired to a 20 Amp GFI (Ground Fault Interrupter) protected circuit when used in bathrooms and all other locations required by the National Electric Code.

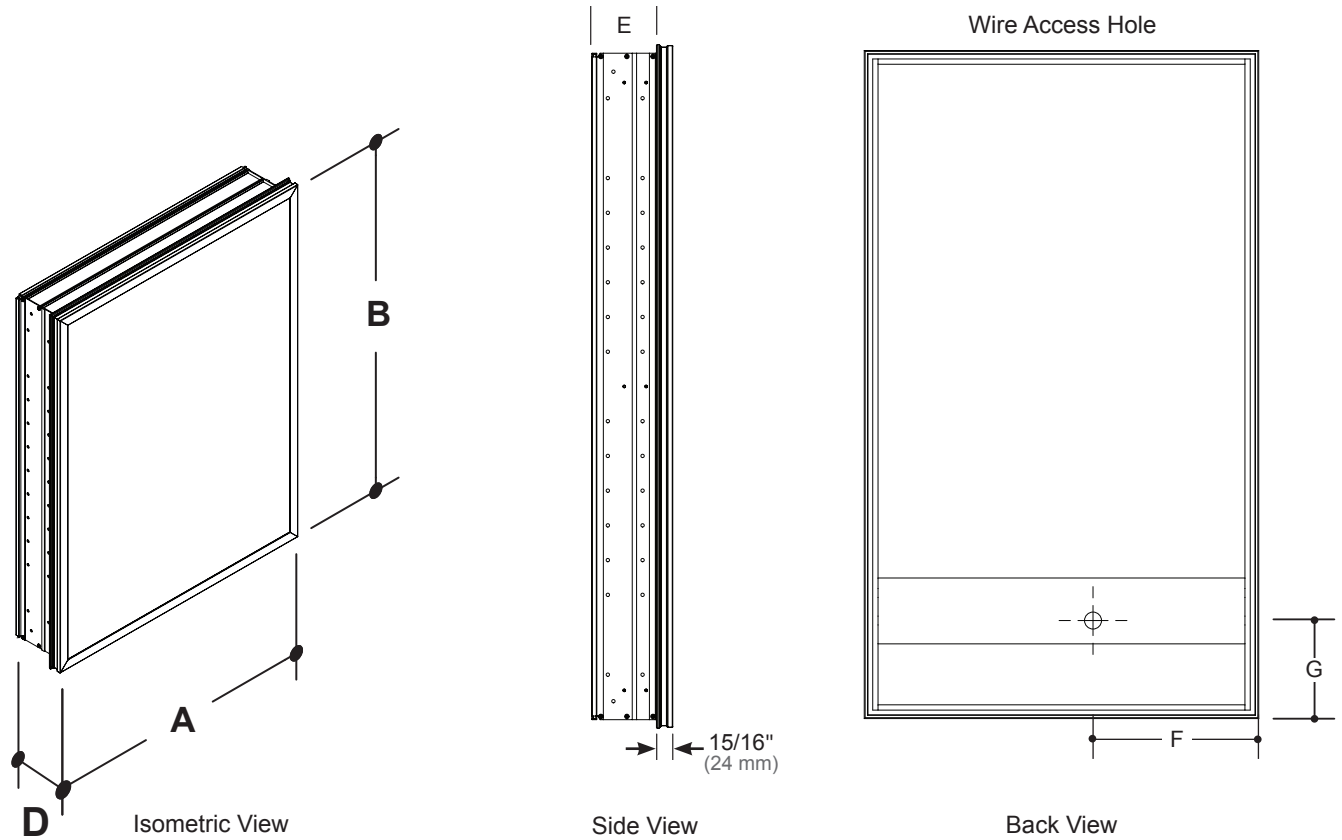
MODEL NUMBERS

Use the chart below to learn how to build a Profiles Cabinet Model number. This chart references the model number for a 24" W x 30" H x 4" D Profiles cabinet. Consult the Robern Price Book for a complete list of model numbers. The model number is located inside of your cabinet.

Model Numbers	P	C	24	30	D4	T	L	E	76
Product	P = Profiles								
Category	C = Cabinet								
Width	12 = 12" / 305 mm 16 = 16" / 406 mm 20 = 20" / 508 mm 24 = 24" / 610 mm								
Height	30 = 30" / 762 mm 40 = 39-3/8" / 1000 mm 48 = 48" / 1219 mm								
Depth	D4 = 4-5/8" / 117 mm D6 = 6-5/8" / 168 mm								
Frame Width	T = 3/4" / 19 mm								
Hinge Location	L = Left R = Right N = Non-Handed								
Options	E = Electric N = Non-Electric								
Metal Frame Finishes	76 = Chrome 77 = Polished Nickel 82 = Matte Gold 83 = Matte Black								

DIMENSIONS

Determine overall cabinet dimensions. If recessing cabinet, determine rough-in dimensions. See chart for specific model dimensions.



Rough Opening (RO) for recessed installation in chart below

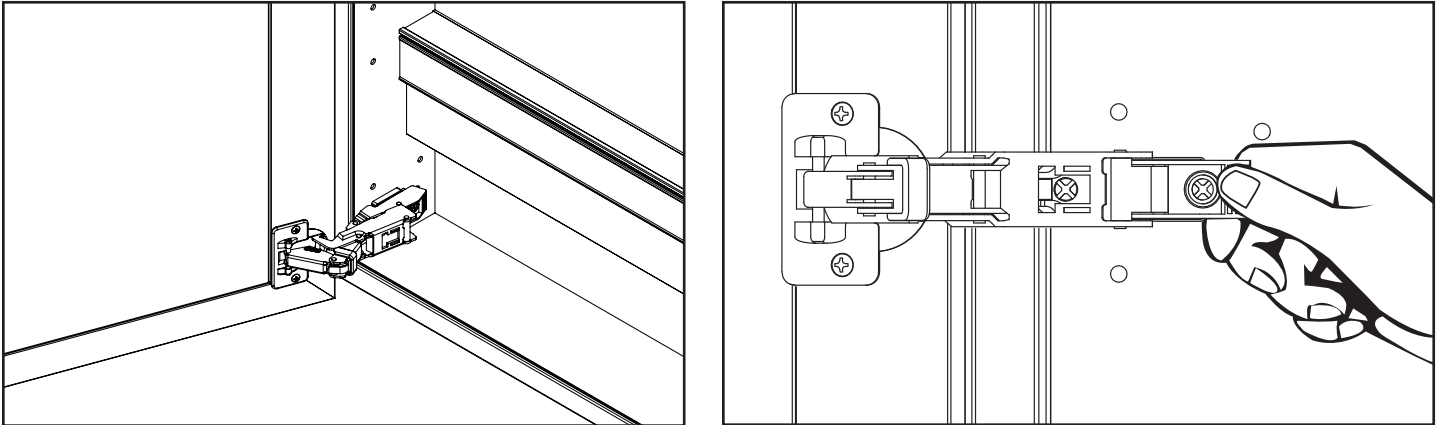
	PC1230D4	PC1630D4	PC2030D4	PC2430D4	PC1240D4	PC1640D4	PC2040D4	PC2440D4	PC1648D4	PC2048D4	PC2448D4	PC1230D6	PC1630D6	PC2030D6	PC2430D6	PC1240D6	PC1640D6	PC2040D6	PC2440D6	
A	11-1/4" (286 mm)	15-1/4" (387 mm)	19-1/4" (489 mm)	23-1/4" (591 mm)	11-1/4" (286 mm)	15-1/4" (387 mm)	19-1/4" (489 mm)	23-1/4" (591 mm)	15-1/4" (387 mm)	19-1/4" (489 mm)	23-1/4" (591 mm)	11-1/4" (286 mm)	15-1/4" (387 mm)	19-1/4" (489 mm)	23-1/4" (591 mm)	11-1/4" (286 mm)	15-1/4" (387 mm)	19-1/4" (489 mm)	23-1/4" (591 mm)	
B	30" (762 mm)				39-3/8" (1000 mm)				48" (1219 mm)				30" (762 mm)				39-3/8" (1000 mm)			
RO (A)	10-1/2" (267 mm)	14-1/2" (368 mm)	18-1/2" (470 mm)	22-1/2" (572 mm)	10-1/2" (267 mm)	14-1/2" (368 mm)	18-1/2" (470 mm)	22-1/2" (572 mm)	14-1/2" (368 mm)	18-1/2" (470 mm)	22-1/2" (572 mm)	10-1/2" (267 mm)	14-1/2" (368 mm)	18-1/2" (470 mm)	22-1/2" (572 mm)	10-1/2" (267 mm)	14-1/2" (368 mm)	18-1/2" (470 mm)	22-1/2" (572 mm)	
RO (B)	29-1/4" (743 mm)				38-5/8" (981 mm)				47-1/4" (1200 mm)				29-1/4" (743 mm)				38-5/8" (981 mm)			
D	4-11/16" (119 mm)											6-5/8" (168 mm)								
E	4" (102 mm)											6" (152 mm)								
F	4-5/16" (110 mm)		9-3/4" (248 mm)		4-5/16" (110 mm)		9-3/4" (248 mm)		4-5/16" (110 mm)		9-3/4" (248 mm)		4-5/16" (110 mm)		9-3/4" (248 mm)		4-5/16" (110 mm)		9-3/4" (248 mm)	
G	6-5/8" (168 mm)		5-3/4" (146 mm)		6-5/8" (168 mm)		5-3/4" (146 mm)		6-5/8" (168 mm)		5-3/4" (146 mm)		6-5/8" (168 mm)		5-3/4" (146 mm)		6-5/8" (168 mm)		5-3/4" (146 mm)	

D4 = minimum 4" required or 2X4 construction

D6 = minimum 6" required or 2X6 construction

REMOVING THE DOOR FOR EASE OF INSTALLATION

To remove, while supporting the door, release the lever under the hinge arm. Slide the door off and store in a safe place.



ELECTRIC CONNECTIONS

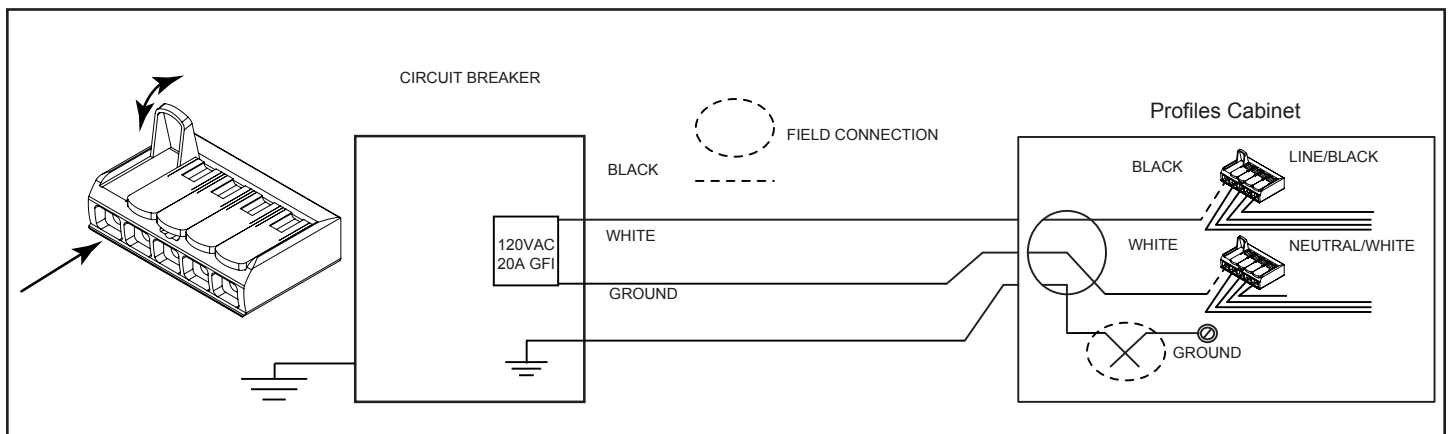
All wiring should be done by a qualified licensed electrician.

WARNING: To reduce the risk of electrical shock, shut off power before wiring the cabinet.

CAUTION: Requires 120 VAC 20 Amp GFI protected circuit.

CAUTION: This product must be connected to a grounded, metal permanent wiring system or an equipment-grounding conductor must be run with the circuit conductors and connected to the equipment grounding terminal or lead on the product.

WARNING: An Electrical option cabinet must be wired to a 20 Amp GFI (Ground Fault Interrupter) protected circuit when used in bathrooms and all other locations required by the National Electric Code. Make field connections as per wiring diagram for the electrical option being installed.



ELECTRIC CONNECTIONS

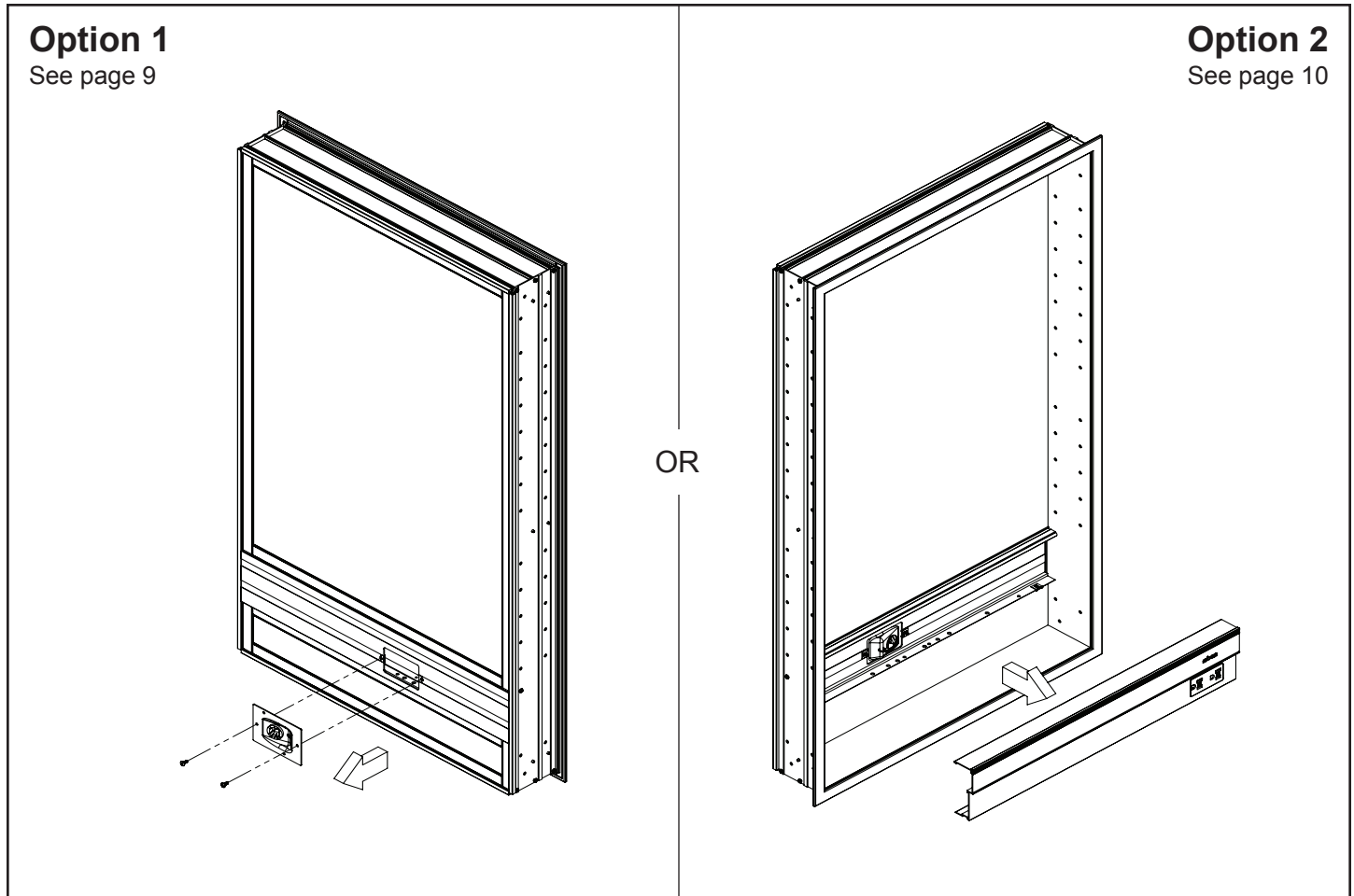
TWO options for cabinet wiring are available. Select the best option to make your installation easier.

Option 1: Connecting the FIELD/POWER wires at the rear of the cabinet.

Removing a small cover on the back of the cabinet allows FIELD/POWER wires to be fully connected through an access on the rear of the cabinet. The cabinet is fully wired before mounting in/on the wall.

Option 2: Connecting the FIELD/POWER wires inside the cabinet.

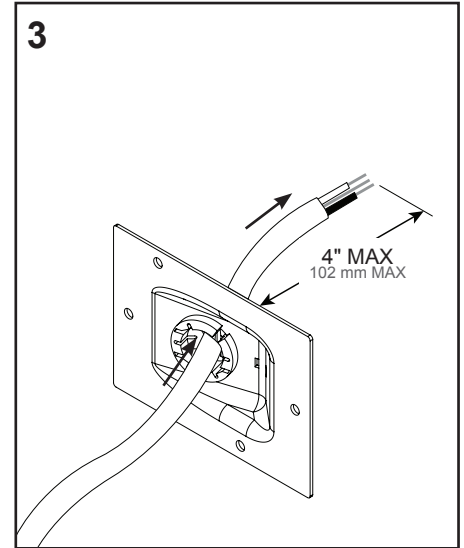
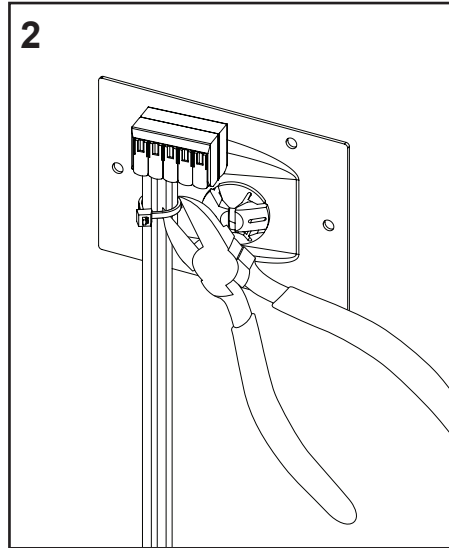
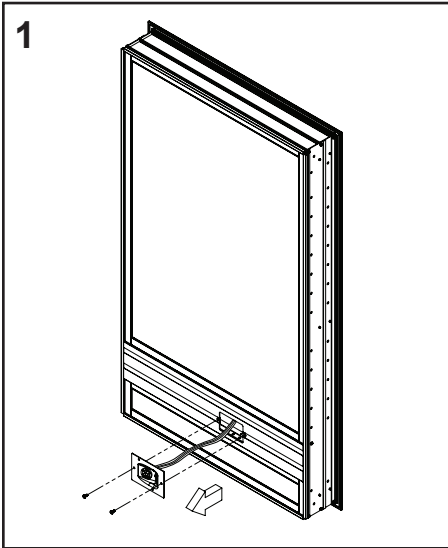
Removing the electronic shelf cover inside the cabinet allows the FIELD/POWER wires to be connected inside the cabinet. Removal of the interior electrical shelf cover is required. The cabinet can be fully wired after mounting in/ on the wall.



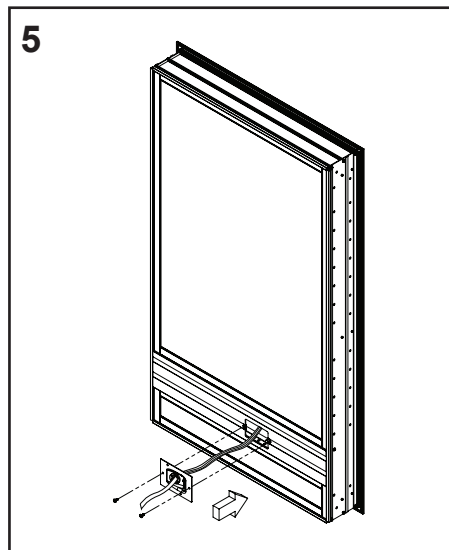
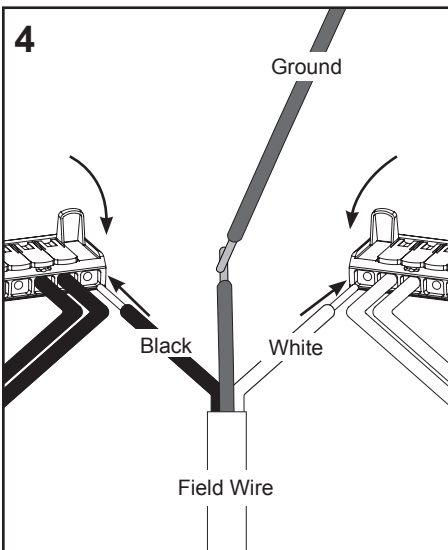
OPTION 1

ELECTRIC CONNECTIONS

1. Remove the access screws from the plate located on the back of the cabinet. Remove rear plate to access wires.
2. Carefully cut plastic tie before making the connections.
3. Feed the electric wire through the access hole in the plate as shown.

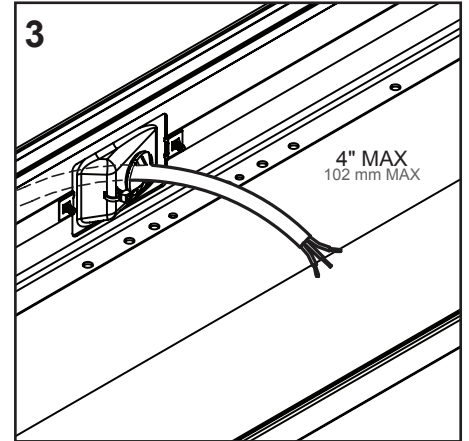
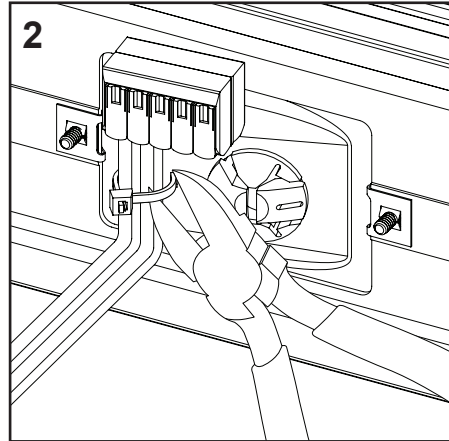
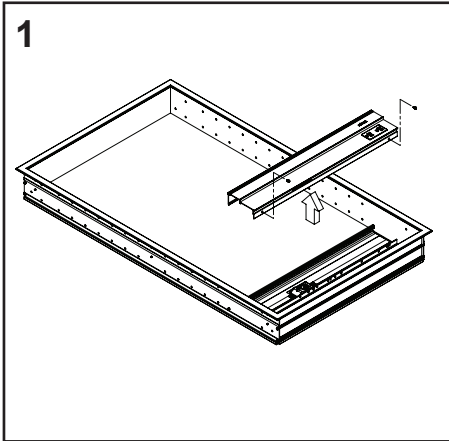


4. Make connections. Neutral to white or ribbed. Line to black or smooth. Ground to green.
5. Reinstall rear access plate.

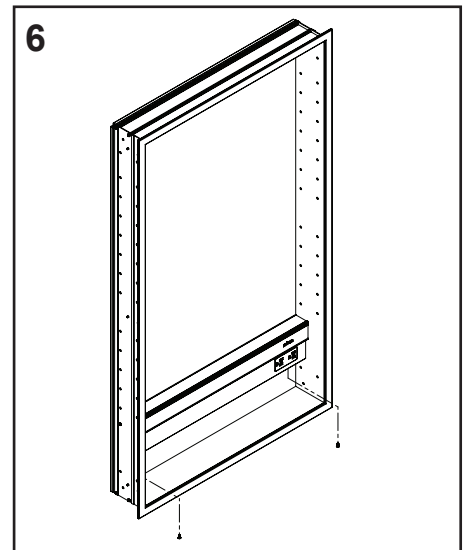
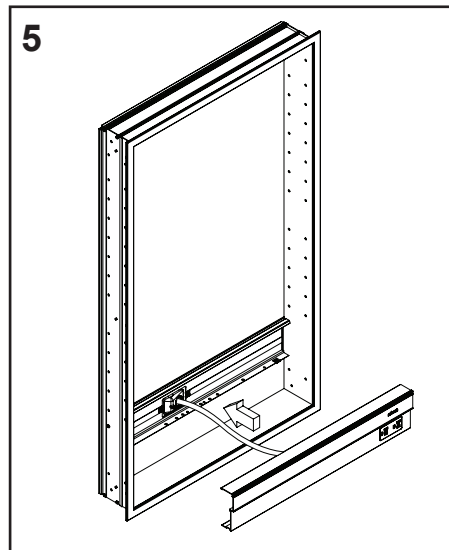
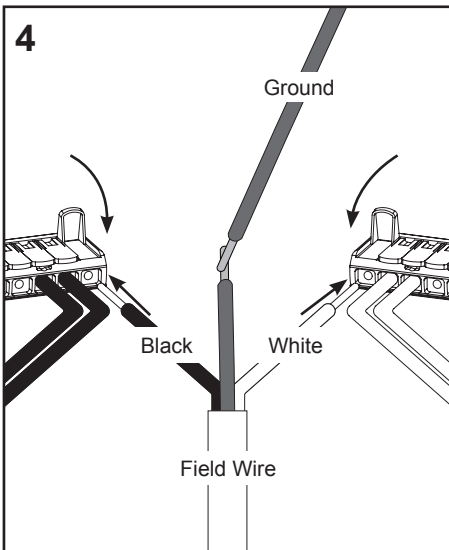


OPTION 2 ELECTRIC CONNECTIONS

1. Remove the access screws in bottom of the outlet shelf. Lift up and remove outlet shelf for access to electrical connections.
2. Carefully cut plastic tie before making the connections.
3. Feed the electric wire through the access hole in the back of the cabinet.



4. Make connections. Neutral to white or ribbed. Line to black or smooth. Ground to green.
5. Engage top of electrical shelf into back raceway and rotate down to close, making sure not to crimp or pinch wires and connections.
6. Replace two access screws on outlet shelf.

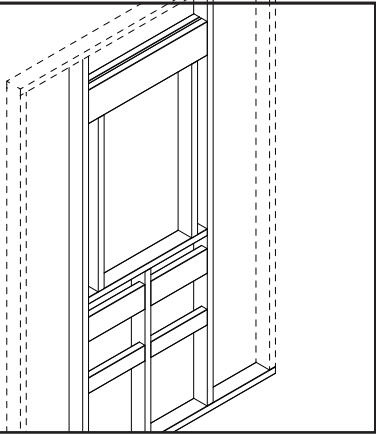


RECESS MOUNTING

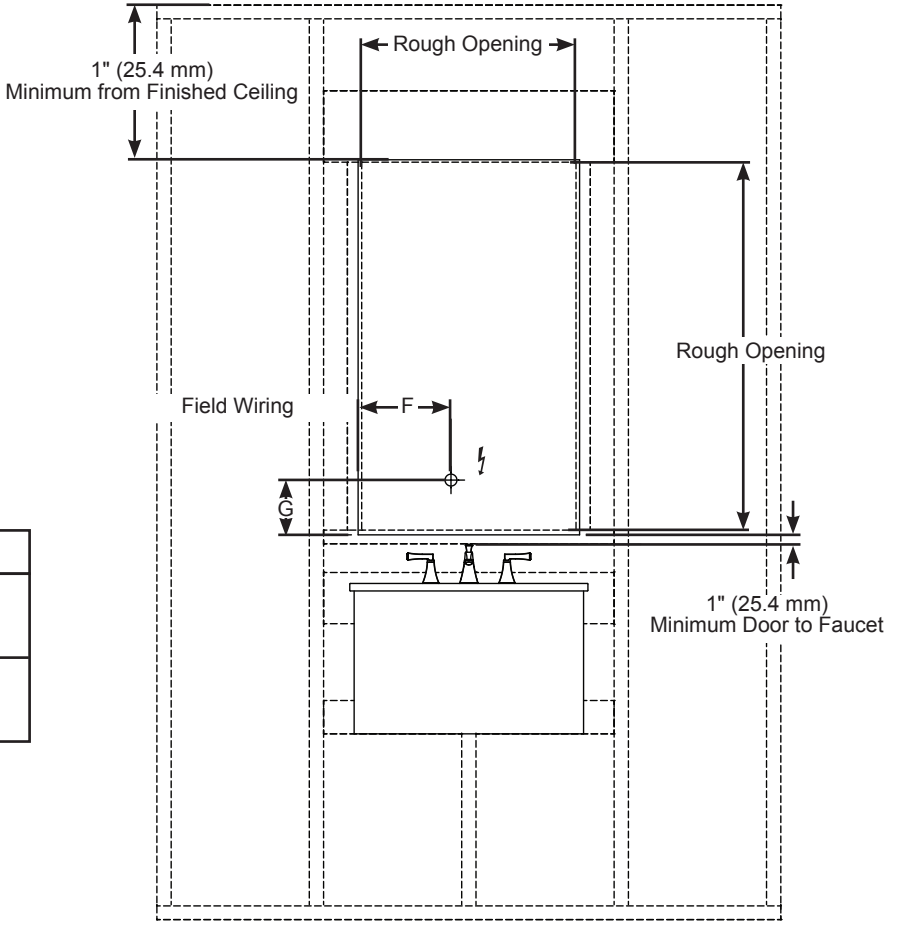
These instructions are for recess mounting your cabinet. Remove and store door with cardboard sleeve prior to installation.

1. Make rough opening and frame on all sides. Find the specific model dimensions to make rough opening (page 5). Make sure cabinet door is at least 1" (25 mm) clearance to the top of the faucet and at least 1" from the ceiling.
2. Electrical field wiring: Pull electric wire through the hole. Be sure to provide enough wire to make proper and safe connections to outlet shelf. See page 7 for electrical connection instructions. See Page 8 for electrical connection options.

1



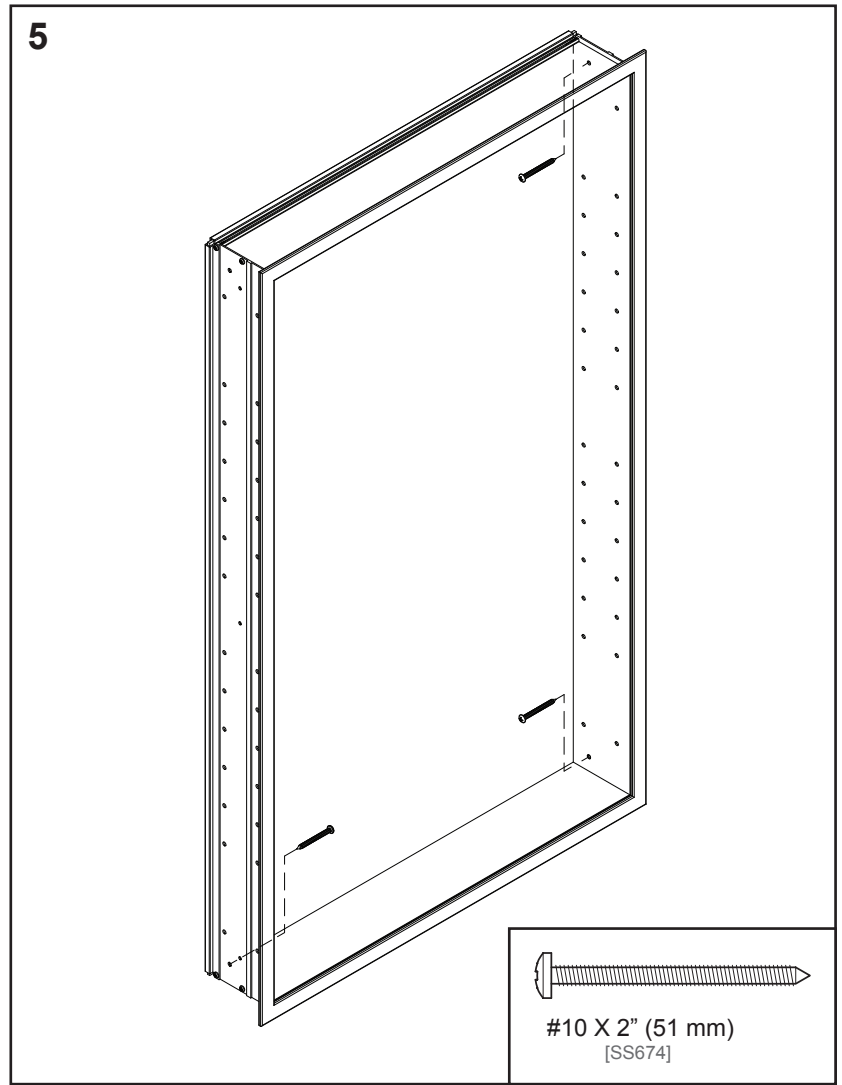
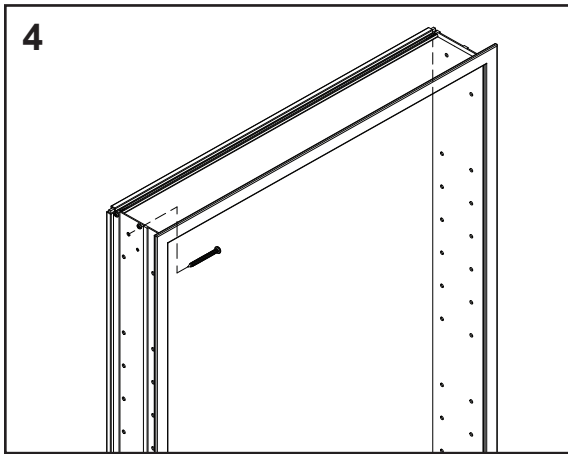
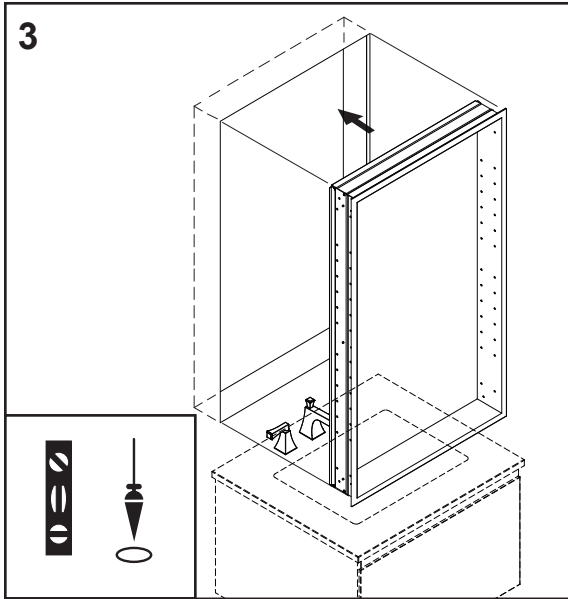
2



	F	G
12" Cabinet	4-5/16"	6-5/8"
16" Cabinet	(110 mm)	(168 mm)
20" Cabinet	9-3/4"	5-3/4"
24" Cabinet	(248 mm)	(146 mm)

RECESS MOUNTING

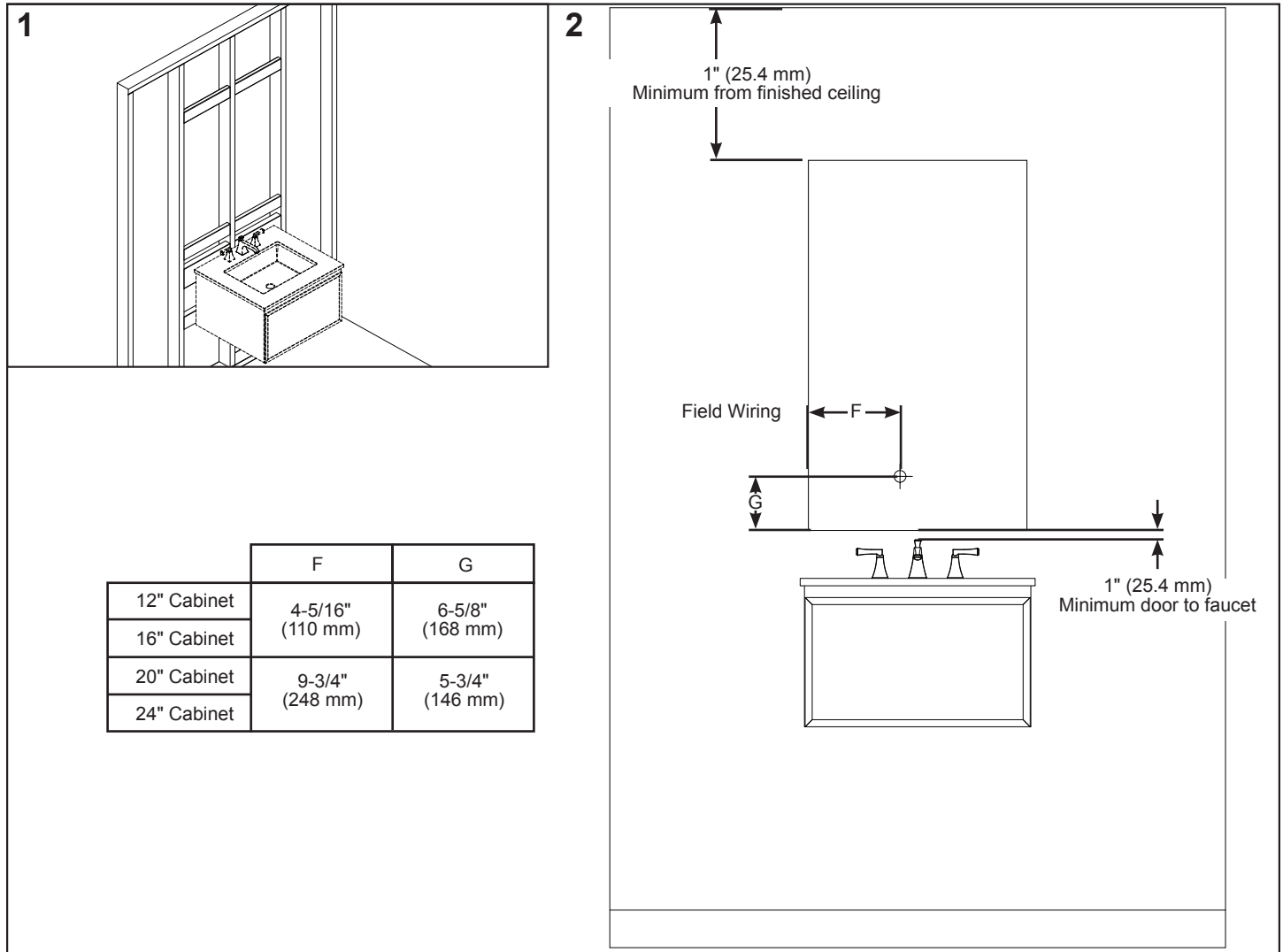
3. Place cabinet in rough-in and make sure cabinet is plumb and level.
4. Install a #10 X 2" (SS674) screw through top mounting hole in cabinet and screw into wall stud as shown. Do not over tighten screw.
5. Once cabinet is plumb and level, install #10 X 2" (SS674) remaining screws into wall stud. Go to page 14 for final assembly.



SURFACE MOUNTING

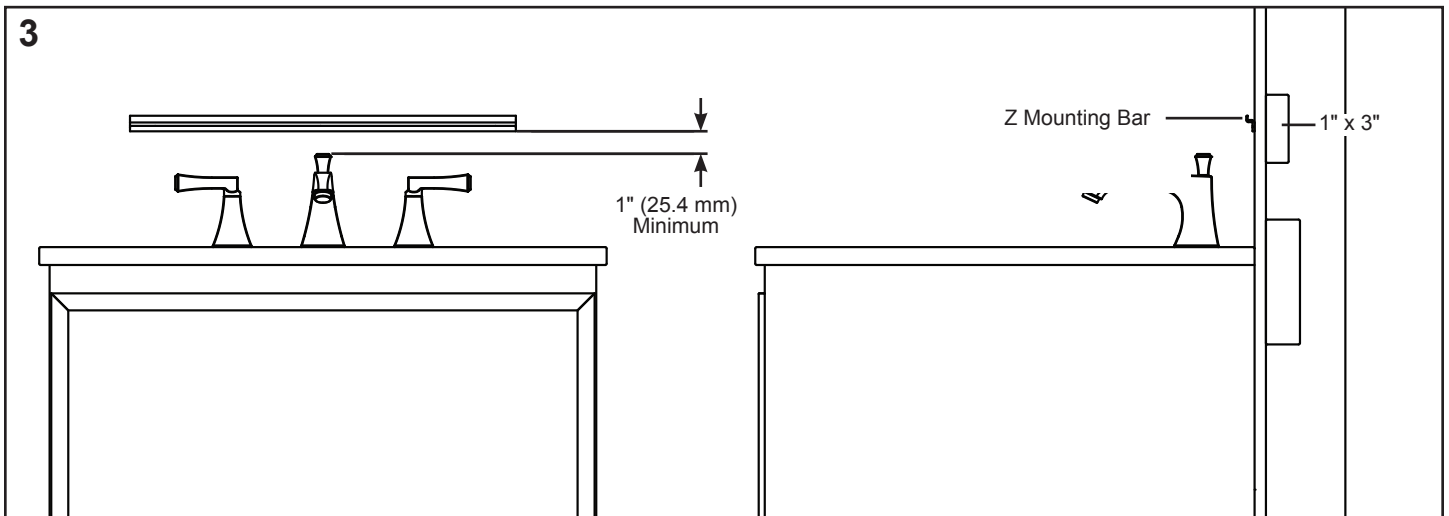
All parts required for surface mounting are included in the optional kit (see page 2). These instructions are for surface mounting. Remove and store door with cardboard sleeve prior to installation.

1. It is strongly recommended that the wall be framed behind the drywall or tile.
2. Electrical field wiring: Electrical feed through location is indicated below. See page 5 for location. See page 7 for electric connection. Make sure cabinet is at least 1" (25.4 mm) clearance to the top of the faucet and at least 1" from the ceiling.



SURFACE MOUNTING

3. Center Z-mounting bar at cabinet location. Make sure Z-mounting bar is at least 1" (25 mm) above fixtures.

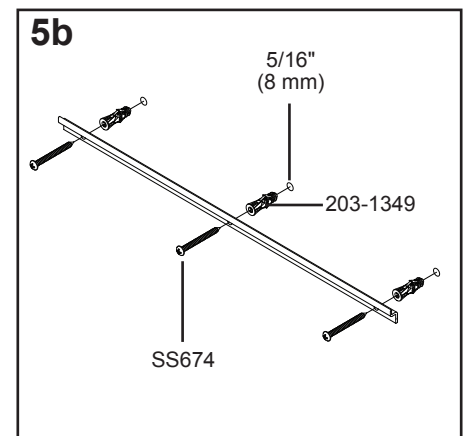
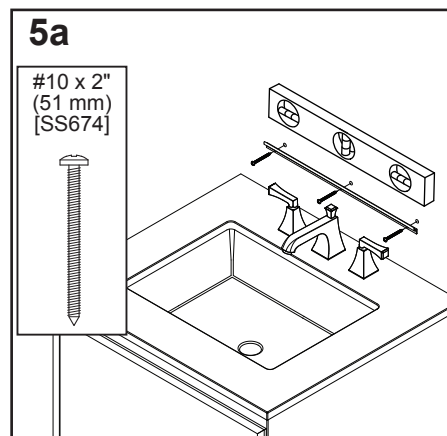
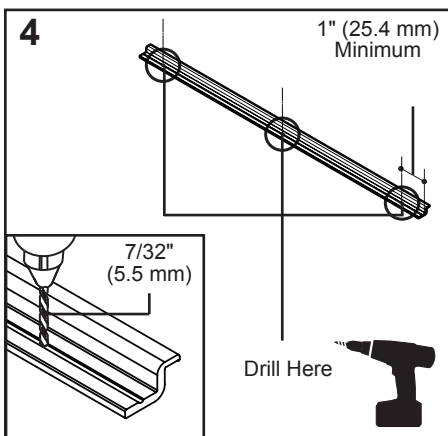


4. Locate and drill three 7/32" (5.5 mm) holes through the indent line on the mounting bar. Be sure the mounting bar is level. Make sure Z mounting bar is centered.

5a. Use three #10 X 2" (SS674) screws provided to attach the Z-mounting bar mounting strip to the wall.

5b. If no furring strip or stud is available, use the supplied plastic anchors, making sure that each cabinet is supported by at least 3 anchors. Drill a 5/16" (8 mm) hole for wall anchors and insert the wall anchor into hole until the anchor flange is flush with the wall.

5c. Use the #10 screw and tighten screw until there is a strong resistance. DO NOT OVER TIGHTEN.



robern

© 2020 Robern, Inc. 701 N. Wilson Ave. Bristol, PA 19007 U.S.A.
800.877.2376 www.robern.com

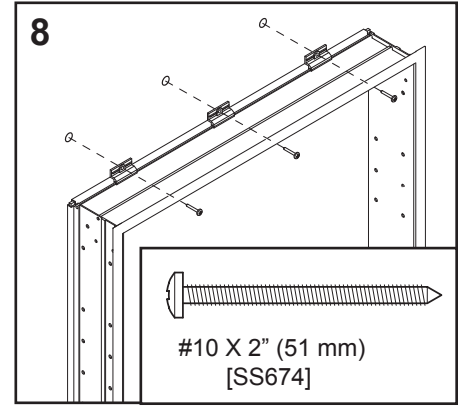
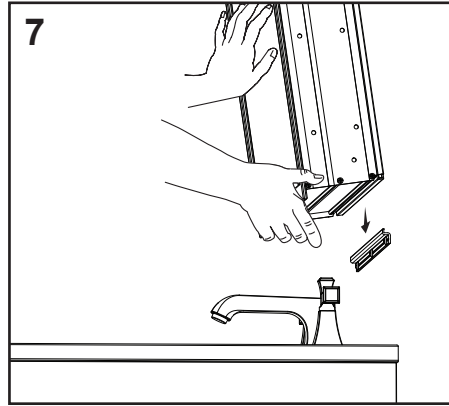
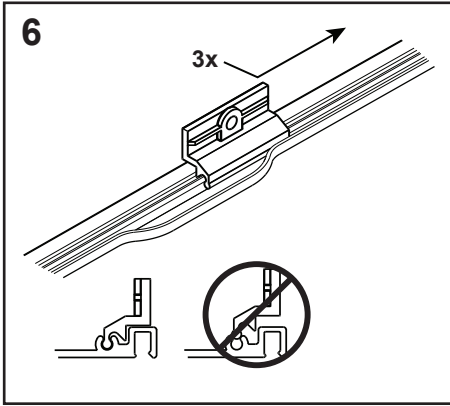
Installation instructions

SURFACE MOUNTING

6. Slide the three “Z” clips into the screw channel at the top of the cabinet; be sure that the “Z” clips lock into the grooves.

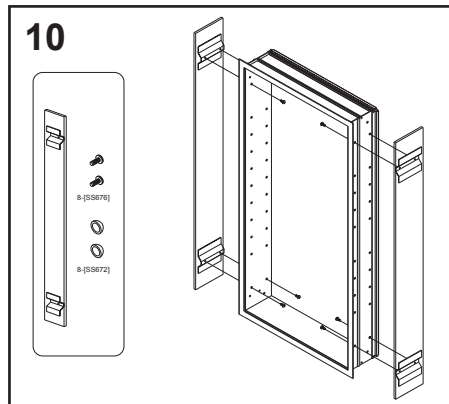
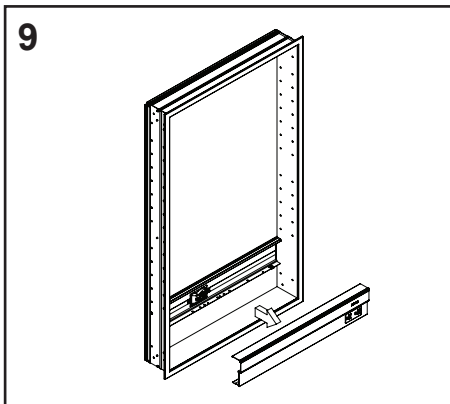
7. Lift the cabinet and place the cabinet onto the Z mounting bar.

8. Using the #10 X 2" (51 mm) screws provided, attach the top of the cabinet to the wall through the top clips as shown. If no stud is available, use wall anchors as described in step 5b.



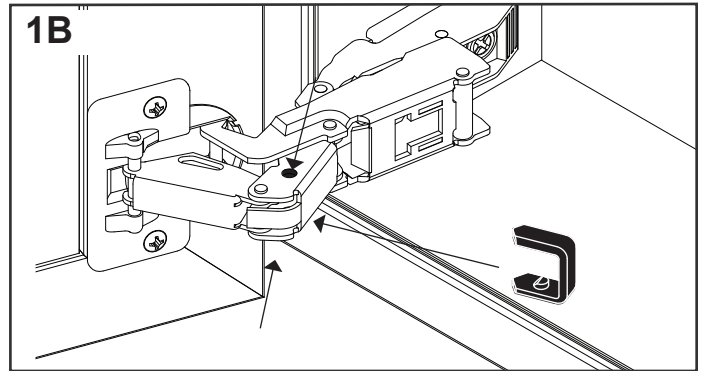
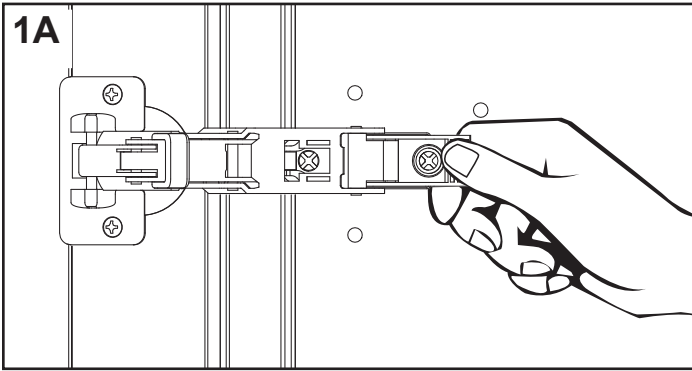
9. Electric: See page 7 for electrical connection instructions. See Page 8 for electrical connection options.

10. Attach Optional Side Kit (sold separately) to cabinet using supplied screws from inside cabinet box into Side Kit. Test the fit of the cabinet before completing installation. Cap the screws with the screw caps provided. Go to page 14 for final assembly.

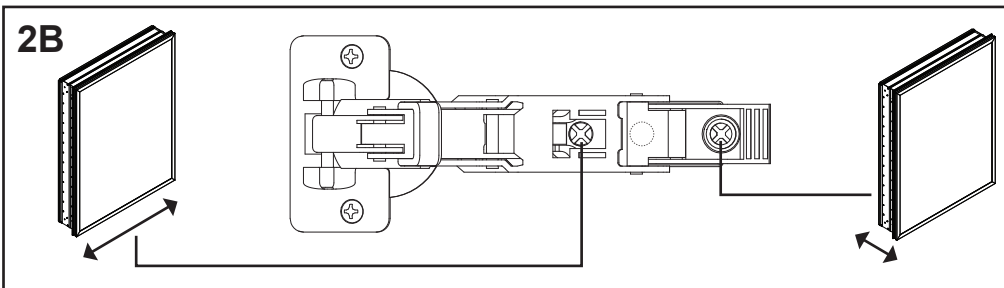
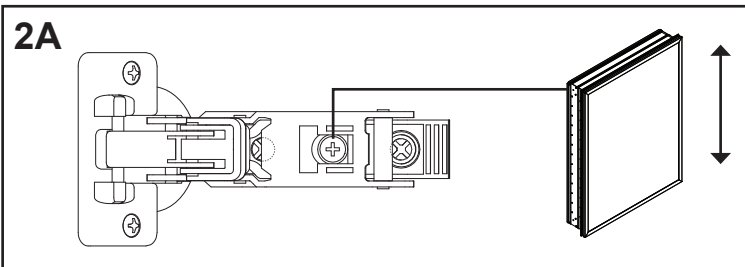


FINAL ASSEMBLY

1A-B. Mount the doors by pinching the end of the hinge as shown in image 1A. If the installation requires, attach the included hinge clips [SS666] over the elbow of the hinges to stop door swing radius at 110°.

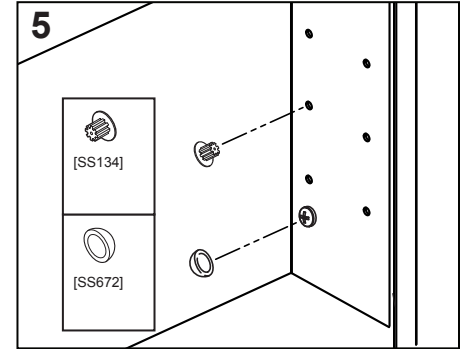
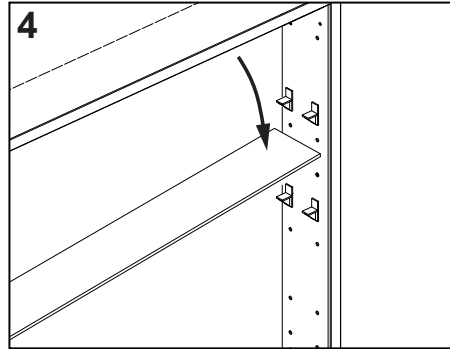
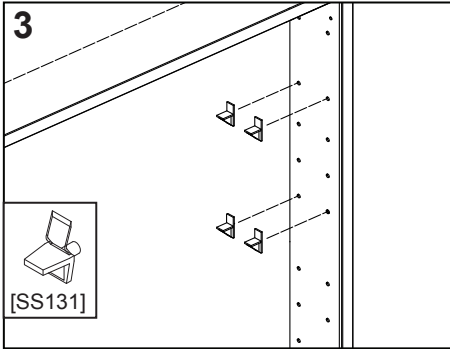


2A-B. The cabinet doors have a three-way adjustment feature. Height, side-to-side level, and depth can all be adjusted using a #2 Phillips Head screwdriver. With the hinge slightly closed, you can access the middle screw. This screw will move your door front up and down (see figure 5A). With the hinge fully extended, you can access the front and back screws. These screws will move your door front from side to side and in and out (see figure 2B).



FINAL ASSEMBLY

3. Insert clear snap-in Shelf Clips into the holes on the sides of the cabinet.
4. Push one side of the shelf into the left or right clip. Snap the shelf down into the opposite side. If the shelf is too tight, repeat the process starting from the opposite side.
5. Press the shelf hole plugs into the unused holes inside the cabinet. Place the screw head caps over any exposed screw heads.



NOTE: Do not store items in the cabinet area directly behind the hinge, as damage may occur to cabinet or items.

USE AND MAINTENANCE

CAUTION: Maximum shelf load 34 LBS.

The cabinet door and interior are constructed of mirrored glass and aluminum. Use only a damp cloth to clean. Ammonia or vinegar based cleaners can damage mirrors.

A 50/50 solution of water and isopropyl alcohol is recommended for cleaning the mirrors. A mild detergent may be used on the surfaces.

When cleaning, spray the cloth, not the cabinet, mirror, or surround surfaces.
Do not use abrasive cleansers on any part of the light fixture.



WARRANTY

Limited Warranty One Year Term

ROBERN warrants to the original purchaser that, it will, at its election repair, replace, or make appropriate adjustment to products made by this company shown to have significant defects in material or workmanship which are reported to ROBERN in writing within one (1) year from the date of delivery. ROBERN is not responsible for installation costs. The warranty is void in the event the product is damaged in transit, or if damage or failure is caused by abuse, misuse, abnormal usage, faulty installation, damage in an accident, improper maintenance, or any repairs other than those authorized by ROBERN. At the expiration of the one year warranty period, ROBERN shall be under no further obligation under any warranty, expressed or implied, including the implied warranty of merchantability. ROBERN shall not be liable for any consequential damages arising out of or in connection with the use or performance of its products. Some states do not allow limitations on how long an implied warranty lasts or do not allow the exclusion or limitation of incidental or consequential damages, so the above limitation or exclusion may not apply to you. Any liability against ROBERN under any implied warranty, including the warranty of merchantability, is expressly limited to the terms of this warranty. Permission to return any merchandise under this warranty must be authorized by ROBERN and returned prepaid by the purchaser. Claims under this warranty should be sent directly to your dealer.

©2020 ROBERN, INC.
ALL RIGHTS RESERVED