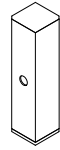
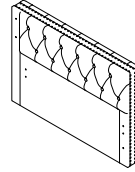
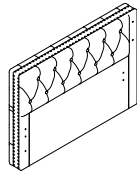
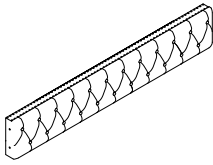


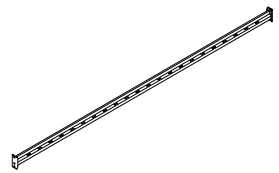
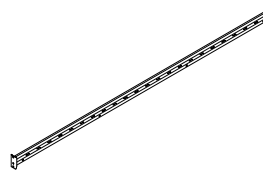
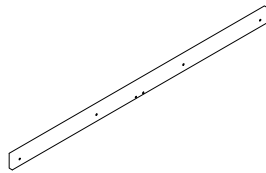
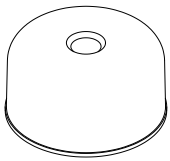
ASSEMBLY INSTRUCTION

TUFTED NAILHEAD DAYBED

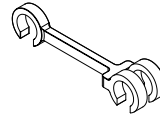
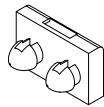
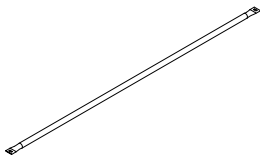
A Back **B** Left Arm **C** Right Arm **D** Side Link Stopper (In The Back)



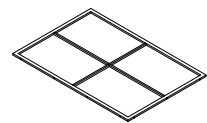
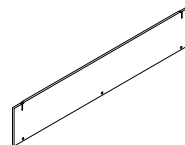
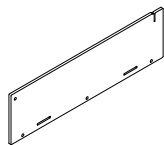
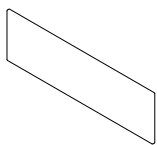
E 1PC Leg (In The Back) **F** 1PC Front Board **G** 1PC Front Rail **H** 2PCS Rear Rail



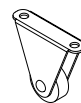
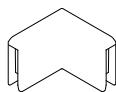
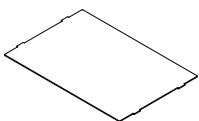
I 4PCS Slat **J** 1PC Slat Connector (In The Back) **K** 1PC Spacer (In The Back) **L** 1PC Front Link Stopper (In The Back)



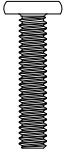
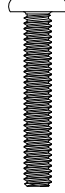




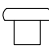


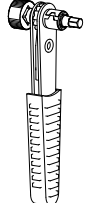

M 22PCS Drawer Front Board **N** 44PCS Drawer Side Board **O** 21PCS Drawer Back Board **P** 1PC Drawer Bottom Frame

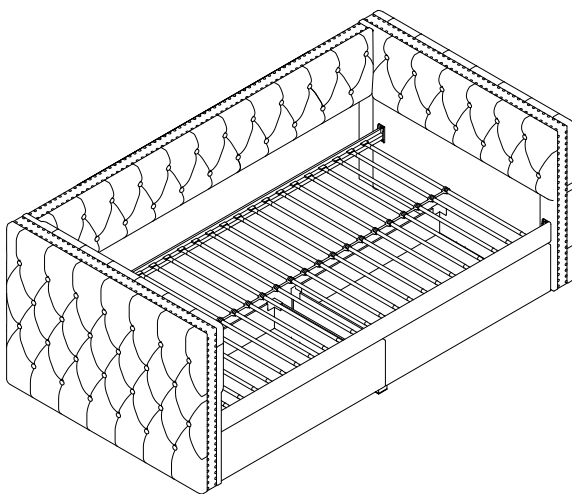


Q 2PCS Drawer Bottom Board **R** 4PCS Drawer Board Connector (In The Back) **S** 2PCS Wheel (In The Back) **T** 2PCS Bracket (In The Back) 27 x 27 x 30 x 2mm



2PCS 4PCS 10PCS 4PCS

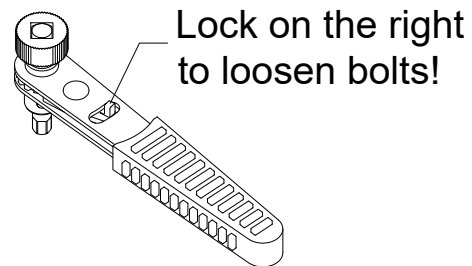
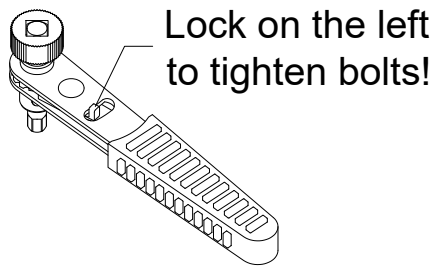
U	Bolt (In The Back) 1/4" x 35mm	V	Bolt (In The Back) 1/4" x 45mm	W	Bolt (In The Back) 3/16" x 19mm	X	Bolt (In The Back) 3/16" x 8mm
							
Y	10PCS Bolt (In The Back) 1/4" x 13mm	Z	10PCS Bolt (In The Back) 1/4" x 34mm	AA	18PCS Nut (In The Back) 3/16" x 6.5mm	AB	24PCS Washer (In The Back) Ø16 x Ø6.5 x 2mm
							
AC	4PCS L-Allen Key (In The Back) 4mm	AD	8PCS Ratchet Tool (In The Back) 4mm	AE	4PCS Screw (In The Back) M5 x 50mm		26PCS
							
1PC		1PC		4PCS			



These pages list all the contents included in the box. Please take the time to identify the hardware as well as the individual components to this product. As you unpack and prepare for assembly, place the contents on a carpeted or padded area to protect them from damage.

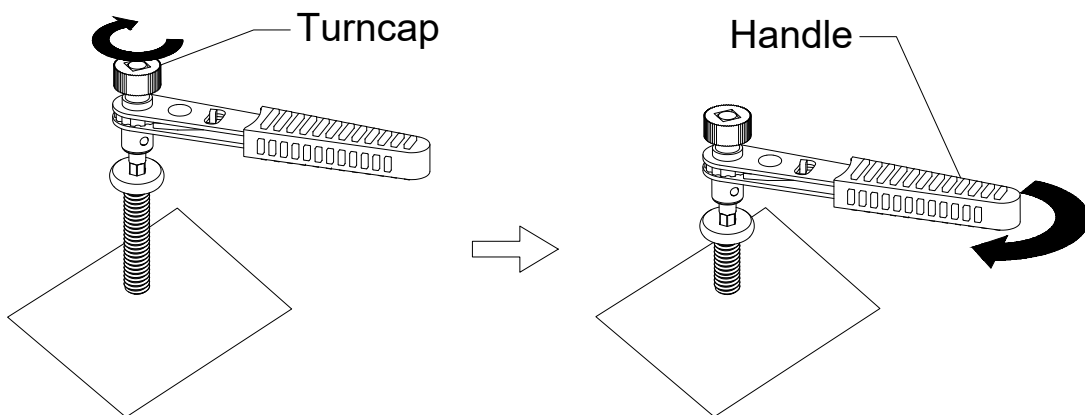
How to Use the Ratchet Tool (AD)

1. Before assembling the furniture, please adjust the lock as needed.

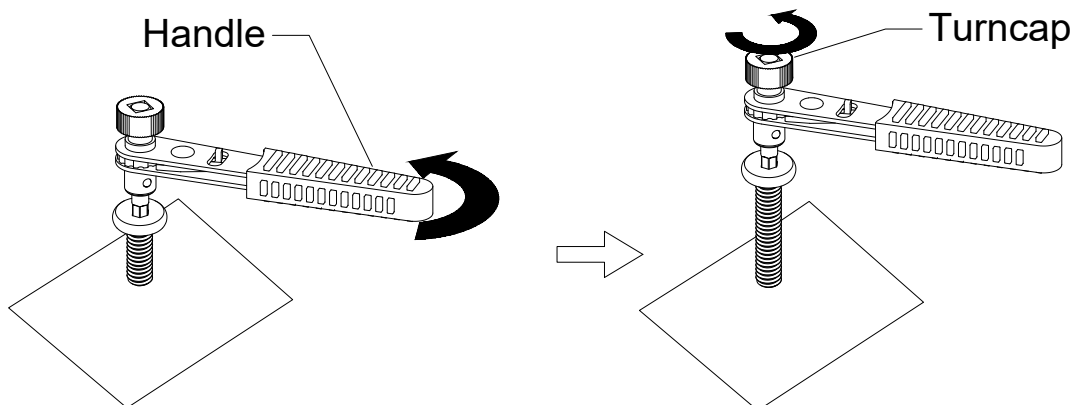


2. Tighten or loosen bolts.

- **Tighten bolts:** Locate the turncap and rotate it clockwise to screw the bolt quickly until it cannot be rotated any more. Then start rotating the handle clockwise to finalize tightening the bolt.

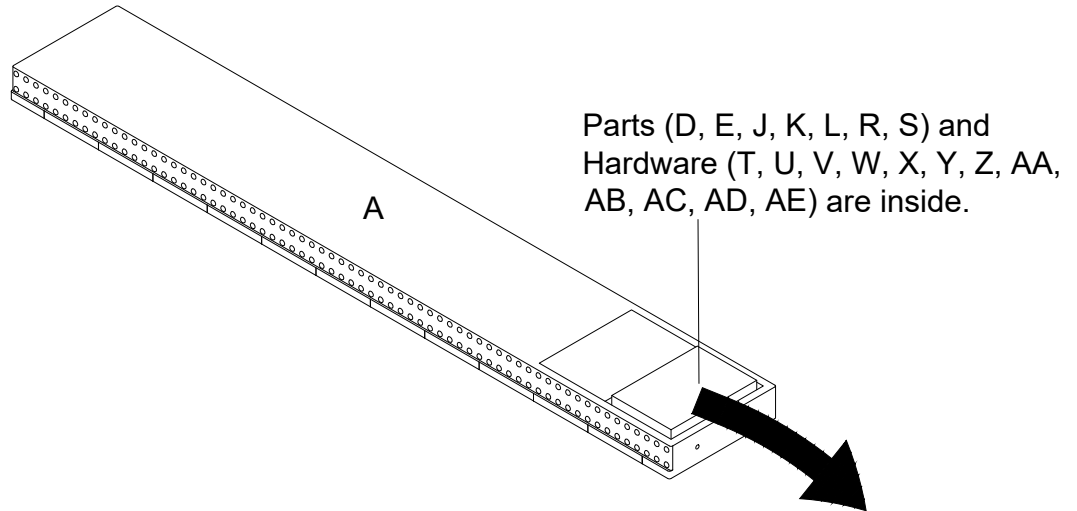


- **Loosen bolts:** Rotate the handle counterclockwise to loosen the bolt. Then continue rotating the turncap in the same direction to remove the bolt completely.

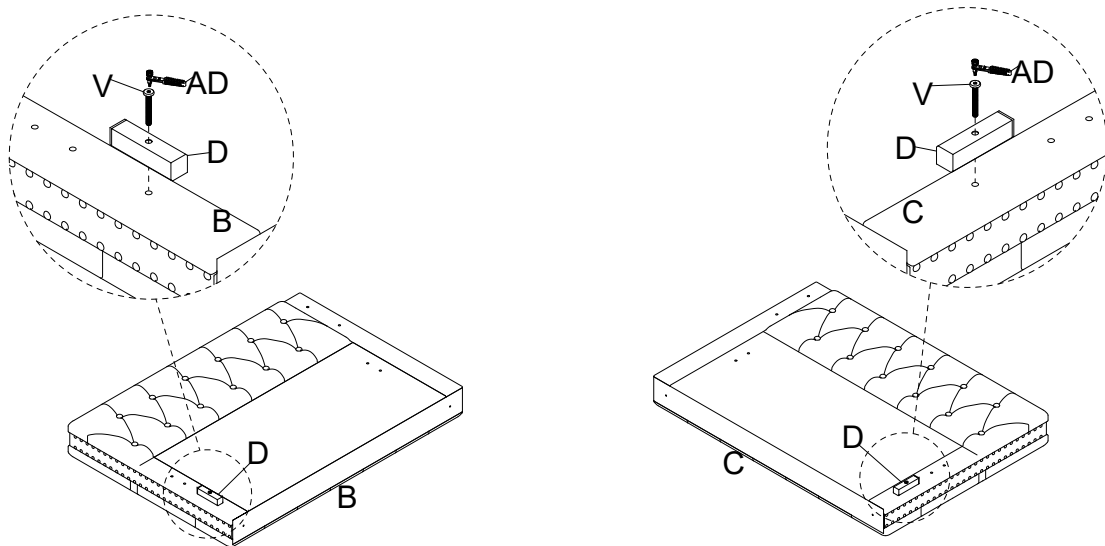


1

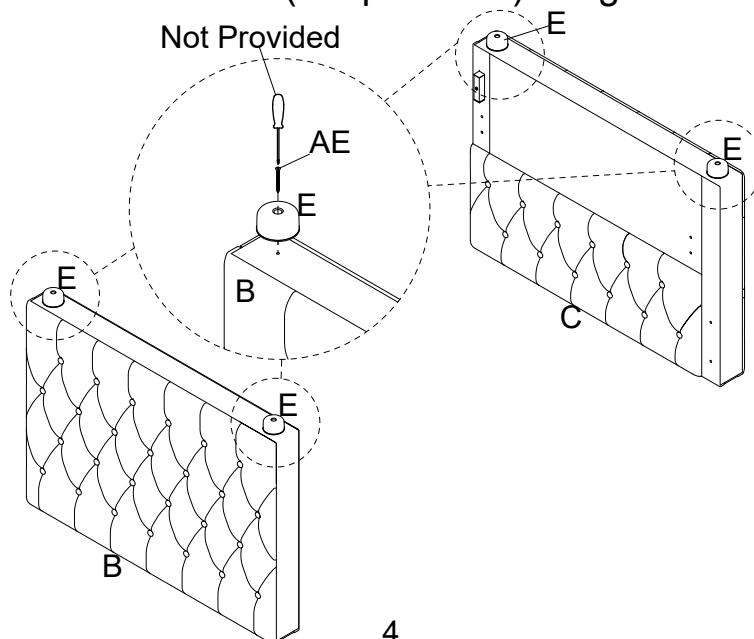
Take out Parts (D, E, J, K, L, R, S) and Hardware (T, U, V, W, X, Y, Z, AA, AB, AC, AD, AE) from Back (A).

**2**

Attach the Side Link Stopper (D) to the Left Arm (B) and Right Arm (C), insert the Bolt (V), turn the Ratchet Tool (AD) to tighten them.

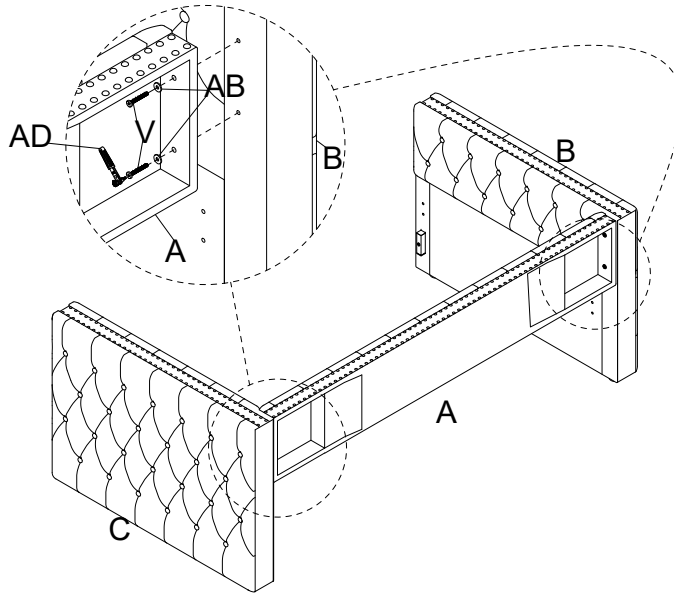
**3**

Attach the Leg (E) to the Left Arm (B) and Right Arm (C), insert the Screw (AE), turn the Screwdriver (not provided) to tighten them.

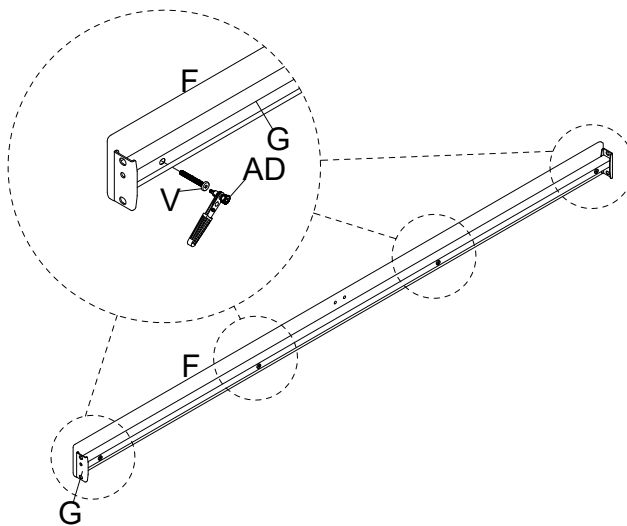


4

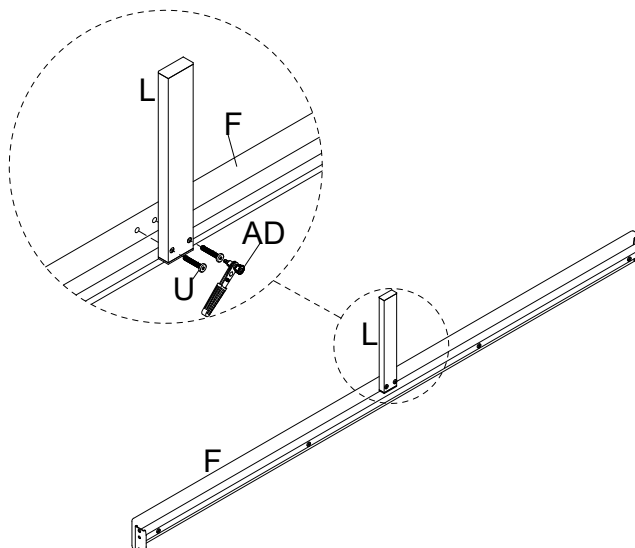
Attach the Back (A) to the Left Arm (B) and Right Arm (C), insert the Bolt (V) and the Washer (AB), turn the Ratchet Tool (AD) to tighten them.

**5**

Attach the Front Rail (G) to the Front Board (F), insert the Bolt (V), turn the Ratchet Tool (AD) to tighten them.

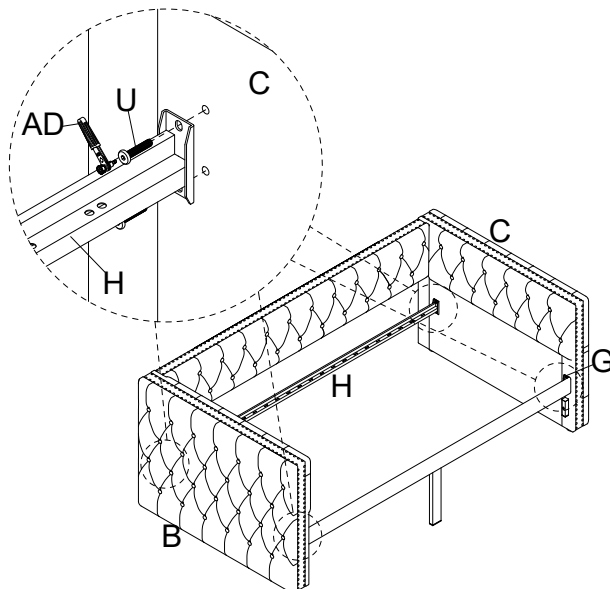
**6**

Attach the Front Link Stopper (L) to Front Board (F), insert the Bolt (U), turn the Ratchet Tool (AD) to tighten them.

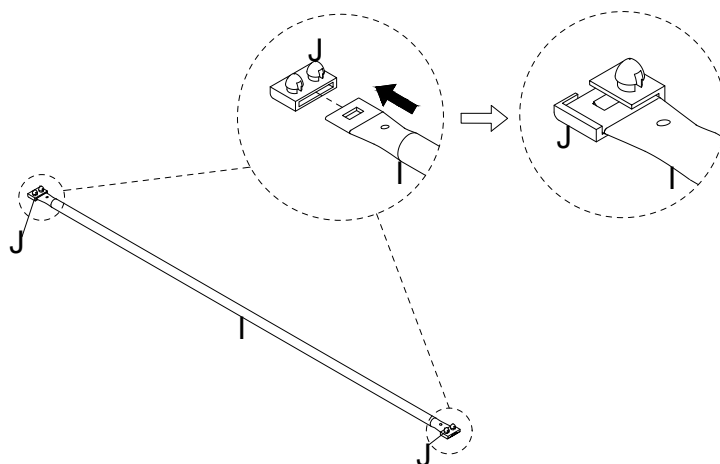


7

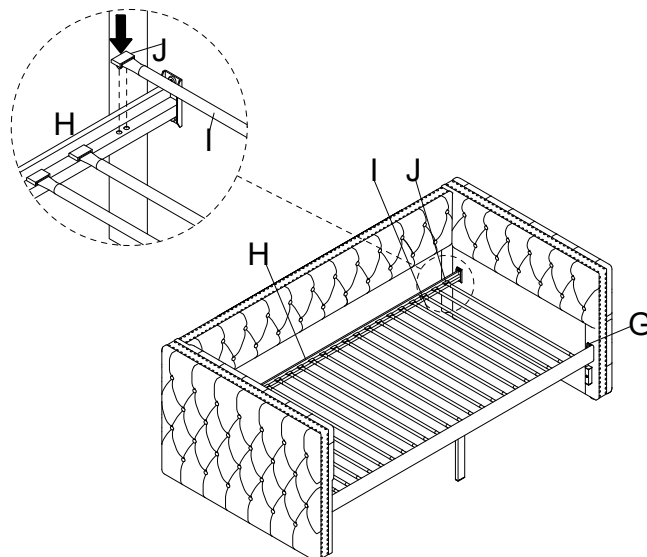
Attach the assembled Front Rail (G) and Rear Rail (H) to the Left Arm (B) and Right Arm (C), insert the Bolt (U), turn the Ratchet Tool (AD) to tighten them.

**8**

Insert the Slat Connector (J) to the both sides of Slat (I), press the Slat (I) into the correct place.

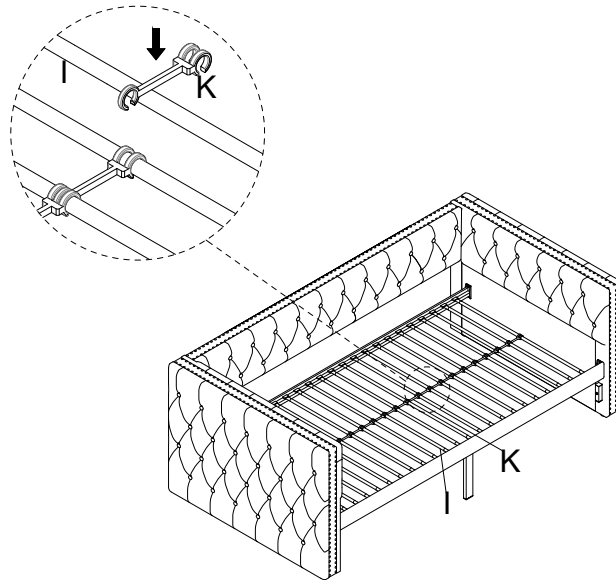
**9**

Attach the Slat (I) to rails, put the Slat Connector (J) into the correct places and press them down.

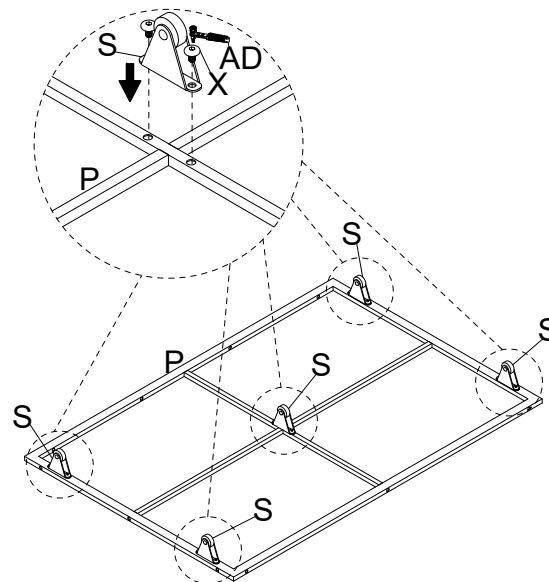


10

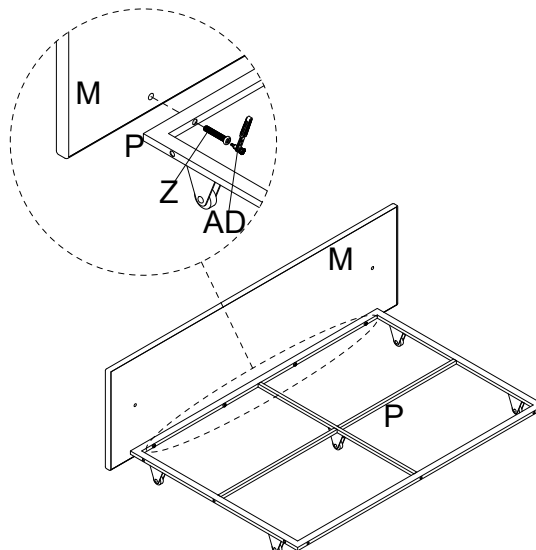
Make the Spacer (K) to connect two slats as shown.

**11**

Attach the Wheel (S) to Drawer Bottom Frame (P), insert the Bolt (X), turn the Ratchet Tool (AD) to tighten them.

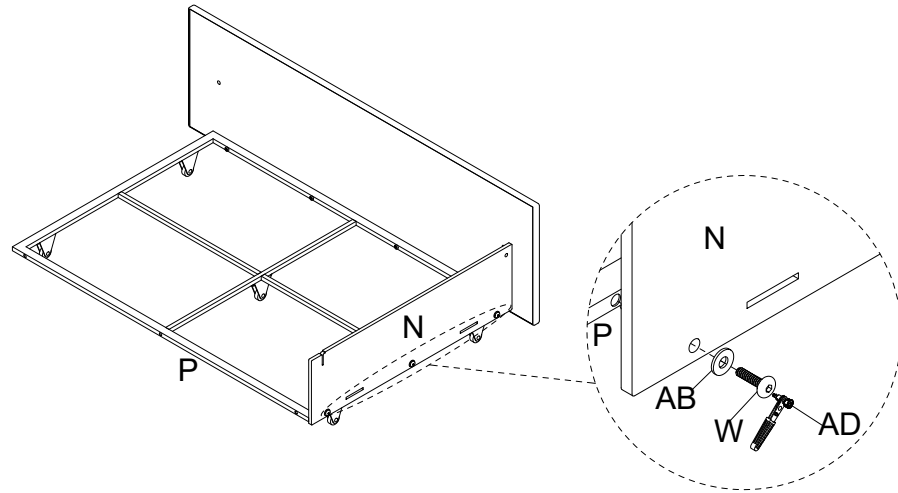
**12**

Attach the Drawer Front Board (M) to Drawer Bottom Frame (P), insert the Bolt (Z), turn the Ratchet Tool (AD) to tighten them.

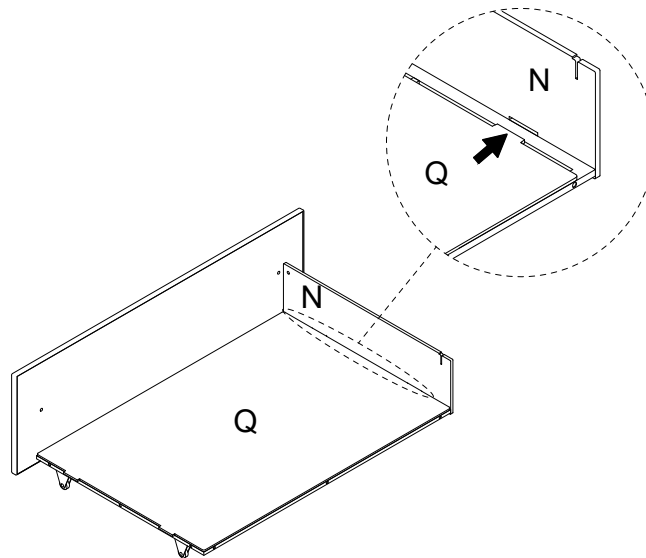


13

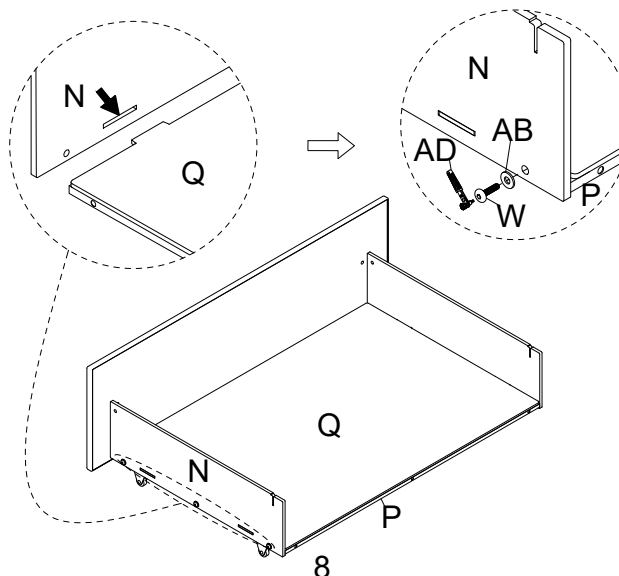
Attach one Drawer Side Board (N) to the Drawer Bottom Frame (P), insert the Bolt (W) and Washer (AB), turn the Ratchet Tool (AD) to tighten them.

**14**

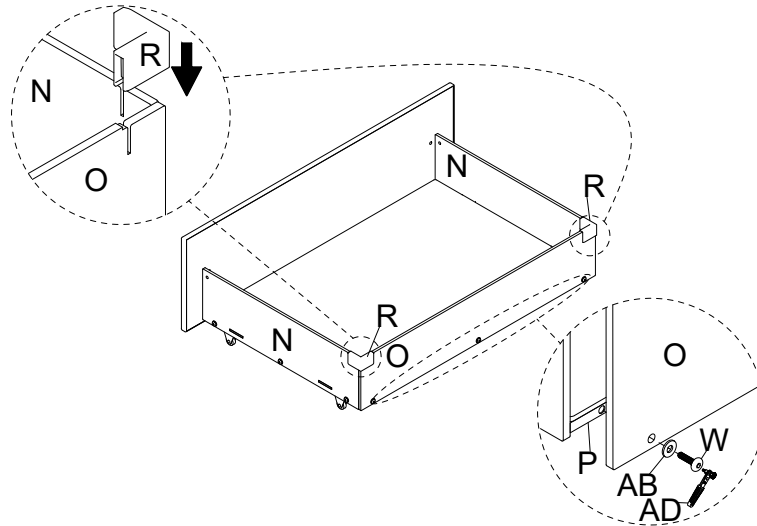
Insert the Drawer Bottom Board (Q) to the assembled Drawer Side Board (N).

**15**

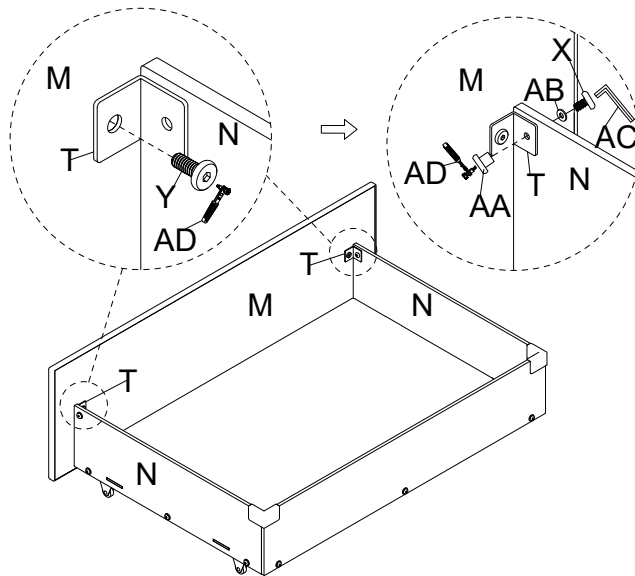
Insert another Drawer Side Board (N) to the Drawer Bottom Board (Q) first, and attach the Drawer Side Board (N) to the Drawer Bottom Frame (P), then insert the Bolt (W) and Washer (AB), turn the Ratchet Tool (AD) to tighten them.



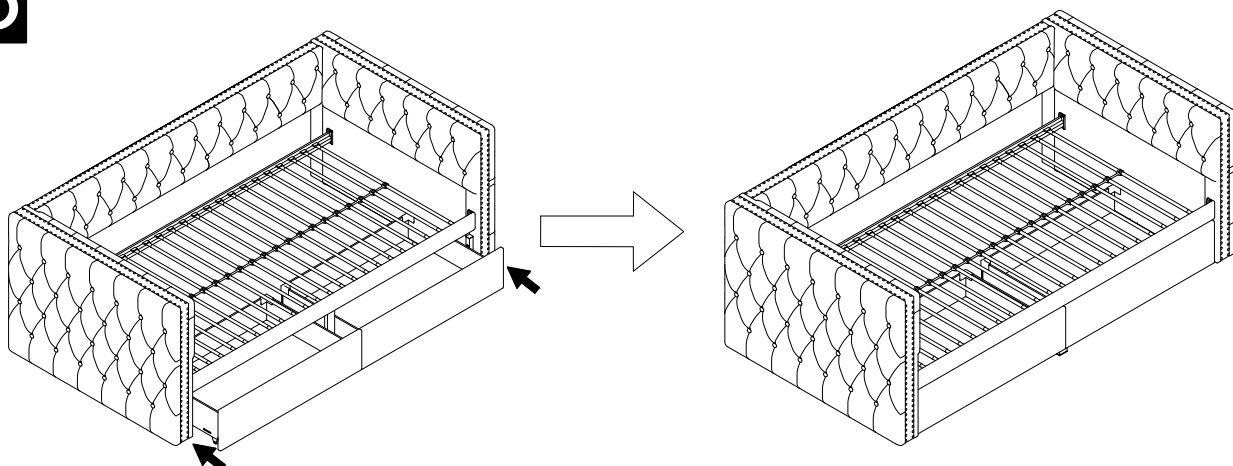
- 16** Attach the Drawer Back Board (O) to the Drawer Bottom Frame (P), insert the Bolt (W) and Washer (AB), turn the Ratchet Tool (AD) to tighten them. Attach the Drawer Board Connector (R) to the assembled drawer, insert them into correct places.



- 17** Attach the Bracket (T) to the assembled drawer, insert the Bolt (Y), turn the Ratchet Tool (AD) to tighten them. Then insert the Bolt (X), Washer (AB) and Nut (AA), turn the L-Allen Key (AC) and Ratchet Tool (AD) to tighten them.



- 18** Insert the assembled drawers under the daybed.



Cleaning & Care

Treat surfaces with care. Surfaces are resistant to scratches but are not scratch resistant. Clean surfaces with a dry or damp soft cloth. Do not use abrasive cleaners. Hardware may loosen over time. Periodically check that all connections are tight.