

# Installation Guide

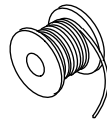
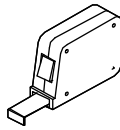
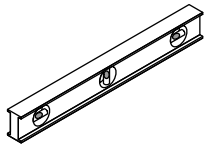
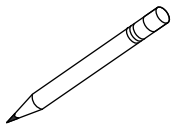
## Wall-Mount Sink Valve

Français, page "Français-1"  
Español, página "Español-1"

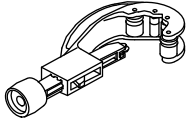
1015916-2-G

THE BOLD LOOK  
OF **KOHLER**®

## Tools and Materials



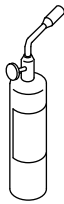
Solder



Tube Cutter



#10 x 1"  
Wood Screws



Propane  
Torch

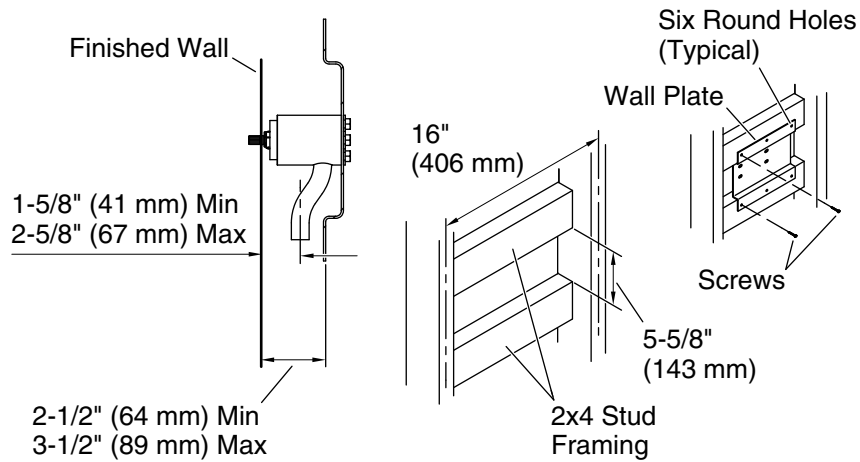
## Before You Begin



**CAUTION: Risk of property damage.** Do not use plumbers putty on marble or plastic, as it may stain the surface.

**NOTE:** Follow the installation dimensions precisely as there is no deep roughing-in kit available for this product.

- Observe all local plumbing and building codes.
- Turn off the water supply.
- Give special consideration to the exact location desired for the bathroom sink faucet. This product is designed to give you the opportunity to be creative and flexible with the installation.
- Site preparation and wall finishing may require additional tools and materials.



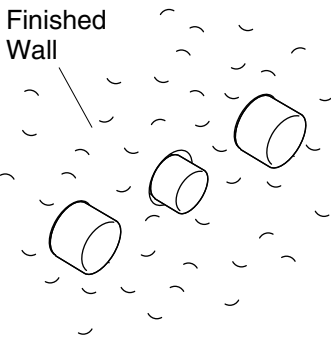
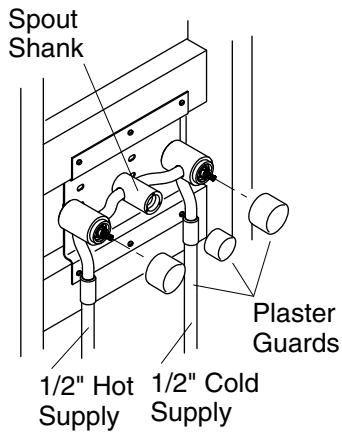
## 1. Prepare the Site

**NOTE:** The wall plate requires special framing and support considerations. Pay special attention to minimum and maximum faucet height recommendations noted in the roughing-in sheet.

- Refer to the roughing-in dimensions for additional mounting information.
- A suggested framing example is shown. Each installation may have different framing requirements than those shown.
- Construct the framing for your installation.

## 2. Attach the Wall Plate

- Loosely attach the wall plate to the stud framing with six #10 x 1" panhead wood screws (not provided).
- Verify that the installation is correct and level and firmly secure the wall plate to the studs.



### 3. Install the Supplies

- Using the screws and washers provided, secure the mixer to the wall plate.
- Install copper tubing between the valves and the supply stops.
- Temporarily pull the plaster guards from the handle shanks and spout shank. **Do not** discard them at this time.
- Position a bucket in front of the spout shank, then open the water supplies and the valves.
- Slowly open the mixer valve stems, and allow the hot and cold water to flow from the spout shank for about a minute.
- Close the valves and the water supplies, then carefully inspect all connections for leakage. Repair if necessary.
- Turn off the water supplies. Open the valve stems to relieve the water pressure.
- Reattach the plaster guards.

### 4. Finish the Wall

**NOTE:** To ensure proper fit and appearance, do not oversize the holes for the handle shanks and spout shank.

- Complete the finished wall with three 1-5/8" (41 mm) holes for the spout and handle shanks. Space the hole centers 4" (102 mm) apart.

**Finish the Wall (cont.)**

- Remove and discard the plaster guards when the finished wall is complete.