

GGT NS TO 60 x 42 AcrylX Alcove Bathtub

Model number:

GGTNSTOL-WHT

Dimensions: 60" x 42" x 27.25"

Installation: Alcove

Material: AcrylX™

Standard Features:

- AcrylX™ Applied Acrylic
- Garden Tub
- Smooth Wall

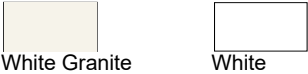
Product characteristics:

- AcrylX™
- Whirlpool system
- Lifetime Warranty

Systems:

Whirlpool

Standard Colors:



Certifications

HAMILTON products adhere to one or more of the following certifications:



GGT NS TO 60 x 42 AcrylX Alcove Bathtub

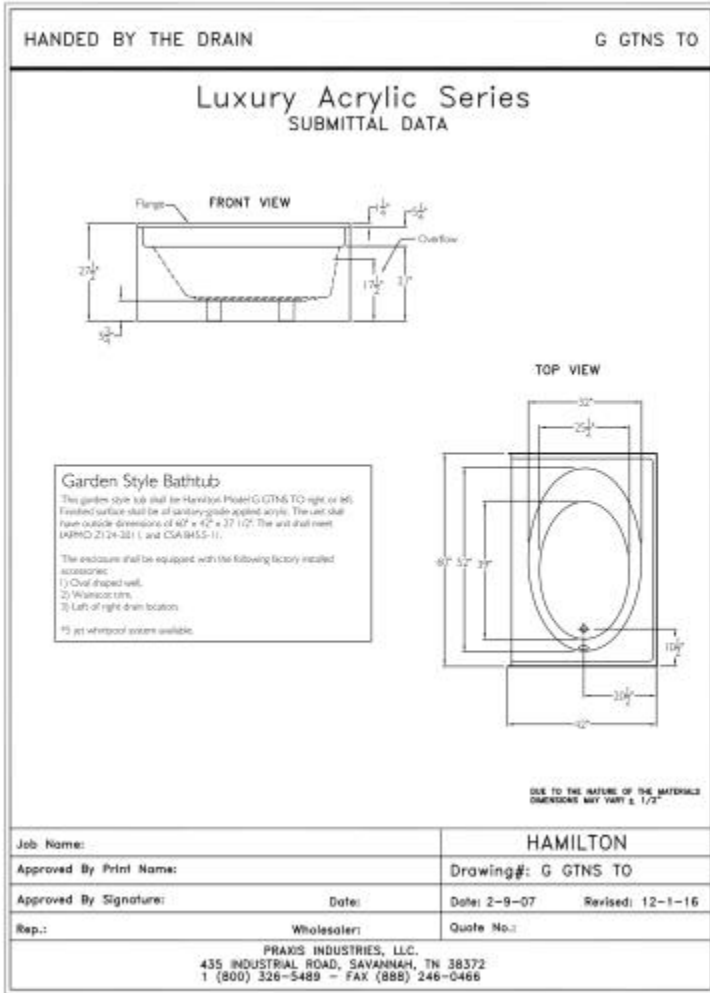
Model number:

GGTNSTOL-WHT

Dimensions: 60" x 42" x 27.25"

Installation: Alcove

Material: AcrylX™



Dimensions

60 x 42 x 27 1/4 In.
(1524 x 1067 x 692 mm)

Weight

128 lbs - 58 kg

Drain location:

Left

Right

Project:

Contractor:

Representative:

Date:

Tel:

Notes: