

HEKMAN






A HOWARD MILLER COMPANY

ASSEMBLY INSTRUCTIONS

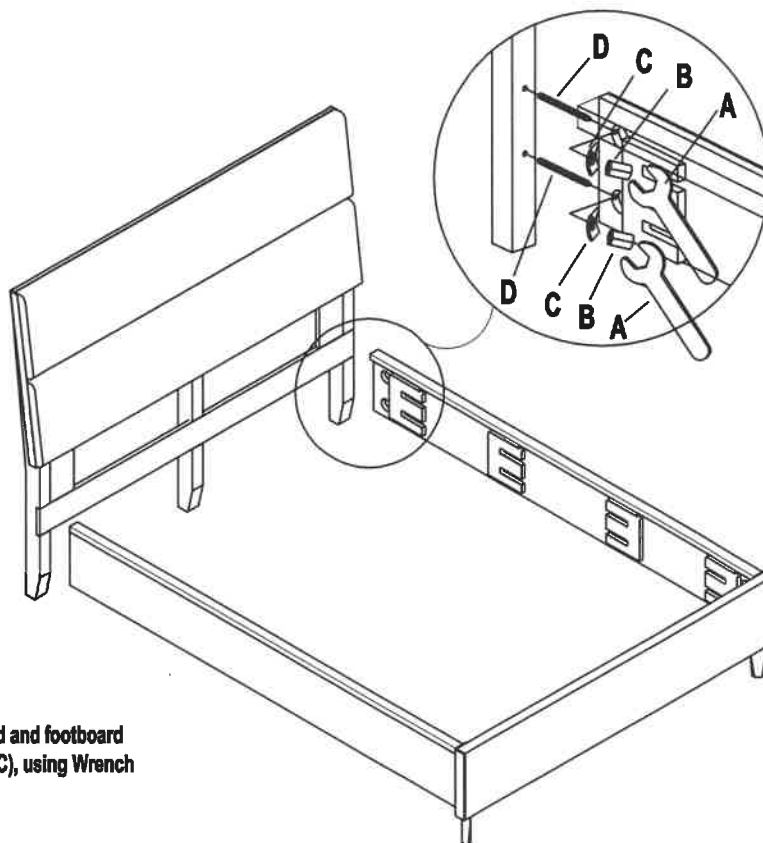
24367 HFR- Queen Bed

24368 HFR- King Bed

HARDWARE LIST

NO.	DESCRIPTION	SKETCH	DIMENSION	Q'TY
A		ALLEN WRENCH	Ø5/16"	1pc
B		SPRING WASHER	Ø5/16"12xH18mm	8pcs
C		FLAT WASHER	Ø5/16"L26xH16mm	8pcs
D		BOLT	Ø5/16"x 89mm	8pcs
E		SCREW	Ø8*32mm	8pcs

STEP 1



Step 1: Assembly bed rails to the headboard and footboard with threaded rod (D), Nut (B) and Washer (C), using Wrench (A).

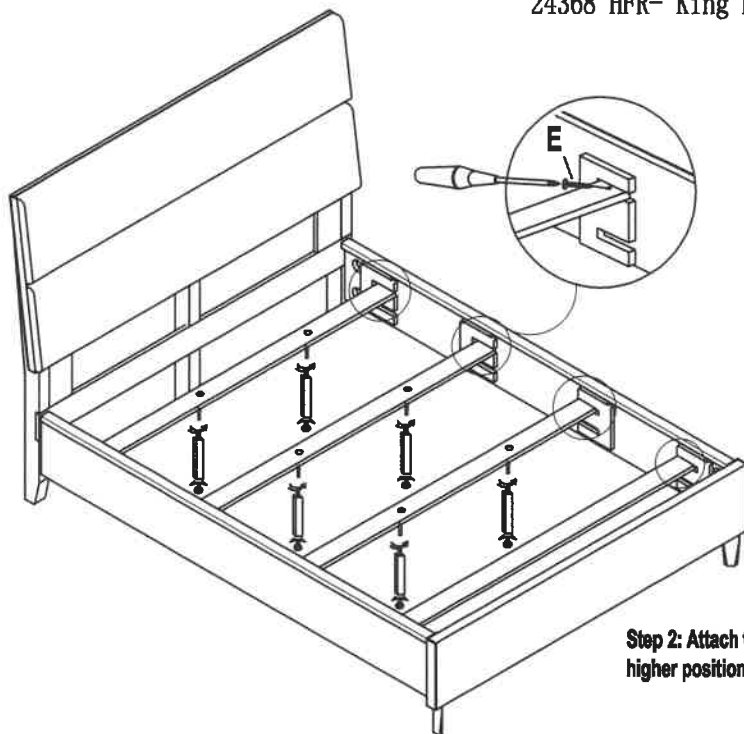
MADE IN VIETNAM

HEKMAN

ASSEMBLY INSTRUCTIONS

24367 HFR- Queen Bed

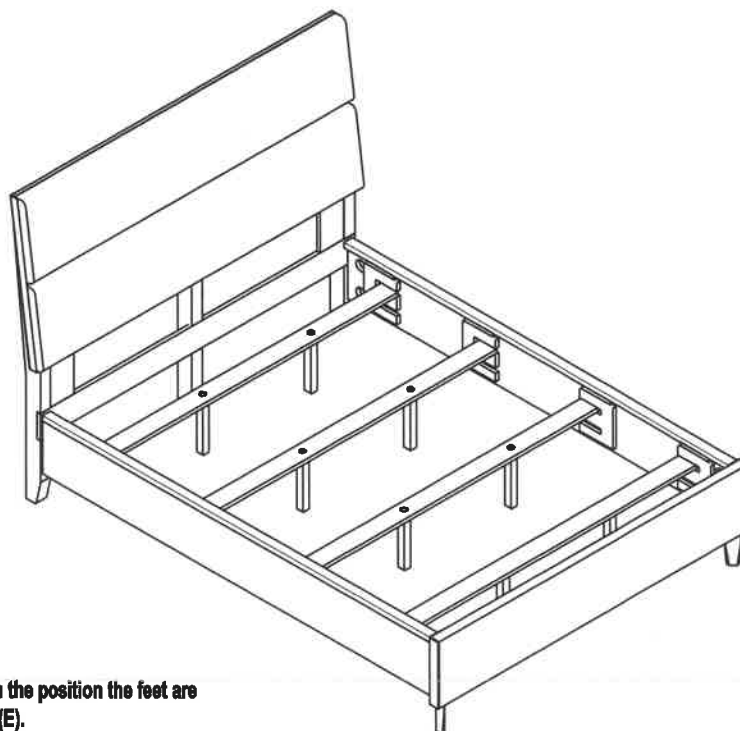
24368 HFR- King Bed



Step 2: Attach the feet to bed slats using both segment for higher position, only one segment for the lower position.

STEP 2

STEP 3



Step 3: Place the bed slats in the position the feet are adjust for attach with screw (E).

MADE IN VIETNAM