

### Features

- Open-back design is perfect for small spaces and makes faucet installation easier
- Center toe-tap drain
- Wide ledge on one side is ideal for deck-mount faucet and/or handshower
- Integral lumbar support on both ends
- Built-in integral overflow
- 4.5" drain-to-floor clearance for above-floor drain installation
- Rectangle shape allows for corner or back-to-wall installation

### Material

- Acrylic

### Installation

- Above-floor-drain (AFD) rough-in
- Concealed adjustable legs make leveling during installation easy

### Included Components

1381626-0 Drain Assembly, White



### Codes/Standards

CSA B45.5/IAPMO Z124  
ASTM E162  
ASTM E662  
IAPMO Certification


### STERLING® Vikrell® or Acrylic Baths and Shower Bases Ten-Year Limited Warranty

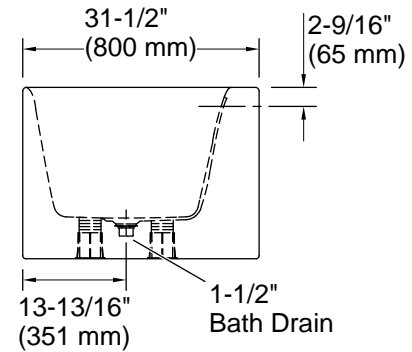
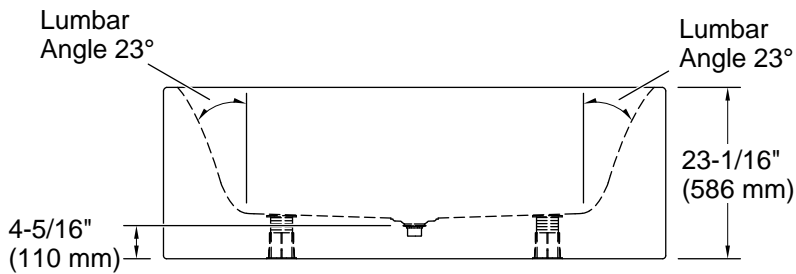
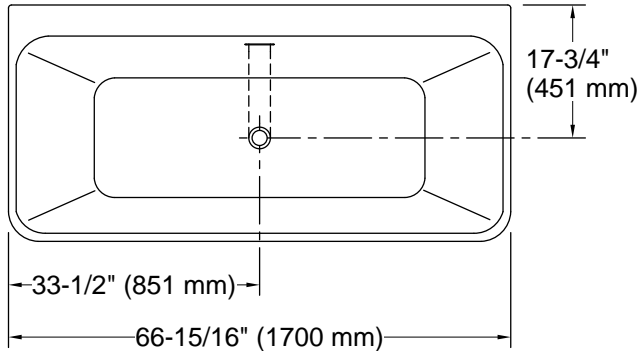
See website for detailed warranty information.

### Available Colors/Finishes

*Color tiles intended for reference only.*

Color	Code	Description
-------	------	-------------

	0	White
---	---	-------



**Technical Information**

All product dimensions are nominal.

- Drain location: Center
- Basin area, bottom: 47-3/8" x 19" (1203 mm x 483 mm)
- Basin area, top: 65-13/16" x 27-5/16" (1672 mm x 693 mm)
- Water depth: 14-5/8" (371 mm)
- Water capacity: 69.79 gal (264.2 L)

**Notes**

Install this product according to the installation instructions.

Measure your actual product for roughing-in details.

The hot water supply should be 70% of the capacity of the bath or greater. Installations will vary.

Do not support the load weight of the bath by the rim.

If installing a rim-mount faucet, make sure there is no interference above or below the deck before drilling any holes.