

# Important safety

Please read carefully

Please retain instructions for future reference.

## SAFETY INSTRUCTIONS

- When using electrical appliances, basic safety precautions should always be followed.
- Check that the voltage indicated on the rating plate corresponds with that of the local network before connecting the appliance to the mains power supply.
- This appliance can be used by children aged from 8 years and above and persons with reduced physical, sensory or mental capabilities and knowledge, if they have been supervised/instructed and understand the hazards involved.
- Children shall not play with the appliance.
- Children should not perform cleaning or user maintenance, unless they are older than 8 and supervised.
- This appliance is not a toy.
- If the power supply cord, plug or any part of the appliance is malfunctioning or if it has been dropped or damaged, cease using the product immediately to avoid potential injury.
- This appliance contains no user serviceable parts, only a qualified electrician should carry out repairs. Improper repairs may place the user at risk of harm.
- Keep the appliance and its power supply cord out of the reach of children.
- Keep the appliance out of the reach of children when it is switched on or cooling down.
- Keep the appliance and its power supply cord away from heat or sharp edges that could cause damage.
- Keep the power supply cord away from any parts of the appliance that may become hot during use.
- Keep the appliance away from other heat emitting appliances.
- Do not allow the power supply cord to hang over worktops, touch hot surfaces or become twisted.
- Do not immerse the electrical components of this appliance in water or any other liquid.

- Do not operate the appliance with wet hands or if any connections are wet.
- Do not leave the appliance unattended whilst connected to the mains power supply.
- Do not remove the appliance from the mains power supply by pulling the cord; switch it off and remove the plug by hand.
- Do not pull or carry the appliance by its power supply cord.
- Do not use the appliance for anything other than its intended use.
- Do not use any accessories other than those supplied.
- Do not use this appliance outdoors.
- Do not store the appliance in direct sunlight or in high humidity conditions.
- Do not move the appliance whilst it is in use.
- If this appliance falls or accidentally becomes immersed in water, unplug it from the wall outlet immediately. Do not reach into the water.
- Always unplug the appliance after use and allow it to cool fully before any cleaning, user maintenance or storing away.
- Always use the appliance on a stable, heat-resistant surface, at a height that is comfortable for the user.
- This appliance should not be operated by means of an external timer or separate remote control system.
- Use of an extension cord with the appliance is not recommended.
- This appliance is intended for domestic use only. It should not be used for commercial purposes.



**CAUTION:** Hot surface – do not touch hot sections or heating components of the appliance.



**WARNING:** Boiling water and steam can cause serious injury; exercise extreme caution when using this appliance.

UK CE

**EN | Disposal of Waste Batteries and Electrical and Electronic Equipment**



This product is labelled with this crossed out wheel bin symbol in accordance with European Directive 2012/19/EC to indicate that it must not be disposed of with your other household waste. Due to the presence of hazardous substances, mixtures or components, electrical and electronic devices that are not subject to selective sorting are potentially dangerous to the environment and human health. Please check your local city office or waste disposal service for the return and recycling of this product.

Manufactured by:  
Ultimate Products UK Ltd.,  
Victoria Street, Manchester OL9 0DD. **UK.**  
Ultimate Products Europe Ltd.,  
19 Baggot Street Lower, Dublin D02 X658. **ROI.**  
**MADE IN CHINA.**

CD260324/MD000000/V1

## Anti-drip feature

The coffee maker has an anti-drip feature to prevent coffee leaking out from funnel when the thermal carafe is removed from its base during the brewing process. This is an automatic feature that is permanently activated.



**CAUTION:** Ensure the thermal carafe is replaced within 30 seconds of removing it from the base of the coffee maker during brewing to prevent coffee leaking from the funnel.

## Storage

The coffee maker must be cool, clean and dry before storing in a cool, dry place.

Never wrap the cord tightly around the coffee maker; wrap it loosely to avoid causing damage.

## Specifications

Product code: EK6664

Input: 220–240 V ~ 50/60 Hz

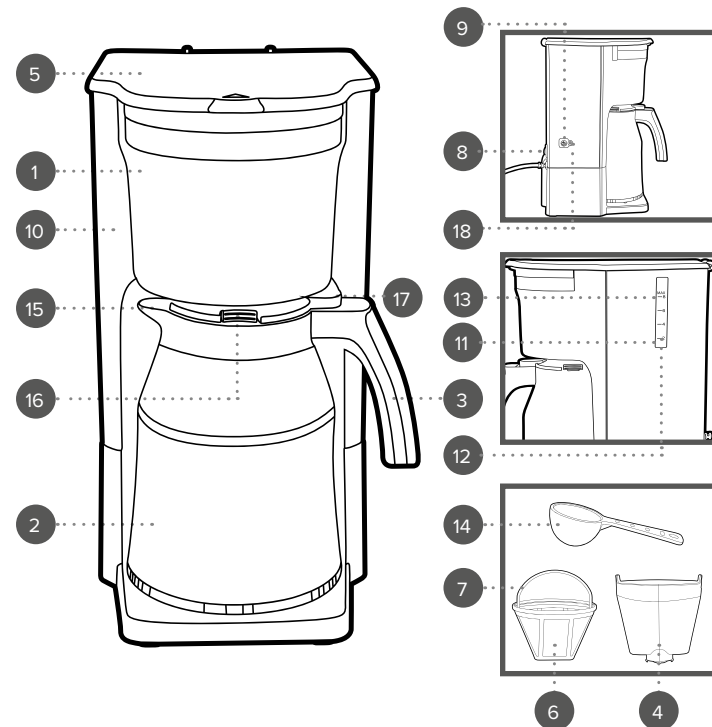
Output: 800 W

Power consumption (off mode): 0 W

Off mode: After 8 minutes of inactivity

# User manual

Coffee maker



1. Coffee maker main unit
2. Thermal carafe
3. Thermal carafe handle
4. Funnel
5. Top lid
6. Filter basket
7. Filter basket handle
8. Power button
9. Brewing cycle button

10. Water tank
11. Water tank gauge
12. Min. fill line
13. Max. fill line
14. Measuring spoon
15. Thermal carafe spout
16. Thermal carafe lid release tabs
17. Thermal carafe spout release button
18. Brewing cycle indicator light



To register for your extended guarantee, scan the QR code or visit [guarantee.uppic.com/salter](http://guarantee.uppic.com/salter) and register your product within 30 days of purchase. For any further queries, visit [www.salter.com](http://www.salter.com).

Manufactured by:  
Ultimate Products UK Ltd.,  
Victoria Street, Manchester OL9 0DD. UK.  
Ultimate Products Europe Ltd.,  
19 Baggot Street Lower, Dublin D02 X658. ROI.

**MADE IN CHINA.**

©Salter trademark. All rights reserved.

CD220425/MD000000/V1

**SALTER**  
1760

Please retain instructions for future reference.

## Dos and don'ts

### DO:

Switch off the coffee maker and disconnect it from the mains power supply before changing or fitting attachments.

Ensure the top lid and the lid of the thermal carafe is closed before starting the brewing process.

Wait approx. 10 minutes before opening and checking the filter to remove used coffee grounds after a brewing cycle.

### DON'T:

Use the coffee maker if it has been dropped, if there are visible signs of damage or if it is leaking.

Use the coffee maker if the water level is less than the minimum fill mark. Use attachments if they are loose, damaged or broken.

Open the top lid during brewing cycle, as there is a risk of scalding.

Leave the coffee maker unattended during the brewing cycle

## Care and maintenance

Before attempting any cleaning or maintenance, unplug the coffee maker from the mains power supply and allow it to cool fully.

**STEP 1:** Wipe the coffee maker main unit with a soft, damp cloth and allow to dry thoroughly.

Never use harsh or abrasive cleaning detergents or scourers to clean the coffee maker as this could cause damage.

**STEP 2:** Wash the filter and funnel in warm, soapy water, then rinse and dry thoroughly.

**STEP 3:** To clean the thermal carafe, press the thermal carafe lid release tabs and pull away from the carafe. Rinse the inside of the thermal carafe.

**STEP 4:** To close the thermal carafe lid, push it back into the thermal carafe, ensuring it securely clicks into place.



**NOTE:** The coffee maker should be cleaned after each use. The funnel and measuring spoon are safe for use in a dishwasher. The thermal carafe is not dishwasher safe.

## Removing limescale

Limescale can develop over time and may affect the performance and lifespan of the coffee maker. It is recommended to descale the coffee maker regularly, at least once every 6–8 weeks, especially if used in a hard water area. Frequent descaling will improve the performance and lifespan of the coffee maker.

**STEP 1:** Fill the water tank to the max. fill mark with cold water.

**STEP 2:** Add a commercial descaling agent, adhering to the manufacturer's instructions. It is not recommended to use vinegar to descale the coffee maker.

**STEP 3:** Run the coffee maker until it has cycled one cup of water. Turn the coffee maker off, leave to soak for approx. 15 minutes, and then switch on again. Repeat until all the water has been cycled.

**STEP 4:** Empty the thermal carafe. Refill the water tank to the max. fill mark with clean water. Run the coffee maker at least twice more and pour the water away once it has cooled. The coffee maker should now be descaled, clean, and ready for use. If any traces of descaling product

residue remain, run more clean water through the coffee maker until it is completely clean.



**NOTE:** If the coffee maker switches off before it has boiled, or a white deposit is noticed on the inside of the water tank, it needs to be descaled.

## Instructions for use

### Before first use

Before using the coffee maker for the first time, clean the water tank and accessories following the instructions in the section entitled '**Care and maintenance**'.

**STEP 1:** Before connecting to the mains power supply, position the coffee maker onto a flat, stable, heat-resistant surface at a height that is comfortable for the user. Check that all accessories are in place.

**STEP 2:** The coffee maker should be used first with water only. Remove the filter basket from inside the machine.

**STEP 3:** Fill the water tank, taking care not to exceed the max. fill mark, following the instructions in the section titled '**Filling the water tank**'.

**STEP 4:** Place the thermal carafe onto the base of the main unit.

**STEP 5:** Press the power button to turn the coffee maker on and press the brewing button to start the brewing process.

**STEP 6:** Once all the water has been brewed, switch off the coffee maker and discard the water from the thermal carafe.



**NOTE:** When using the coffee maker for the first time, a slight odour may be emitted. This is normal and will soon subside. Allow for sufficient ventilation around the coffee maker.

### Filling the water tank

**STEP 1:** Lift open the top lid of the coffee maker. Fill the water tank with cold water, ensuring that the water level is above the minimum fill line and below the maximum fill line.

**STEP 2:** Close the top lid ensuring it is securely in place.



**NOTE:** For the best results, use cool distilled water when filling the water tank.



**CAUTION:** Do not overfill the water tank, as this could damage the coffee maker and will cause the thermal carafe to overflow.

### Using the coffee maker

**STEP 1:** Make sure the coffee maker is switched off and unplugged from the mains power supply and that all the accessories are in place.

**STEP 2:** Pour a minimum of 200 ml of cold water into the water tank following the instructions in the section titled '**Filling the water tank**'.

**STEP 3:** Holding the coffee maker steady with one hand, lift the top lid and remove the filter basket using the filter basket handle from the funnel.

**STEP 4:** Add a minimum of 2 spoons (10–12 g) of medium-fine ground coffee to the filter basket using the measuring spoon.

**STEP 5:** Gently shake the filter basket to evenly distribute the ground coffee.

**STEP 6:** Place the filter basket back into the funnel securing it in place and close the top lid.

**STEP 7:** Place the thermal carafe onto the base of the main unit.

**STEP 8:** Plug in and switch on the coffee maker at the mains power supply.

**STEP 9:** Press the power button; the red indicator light on the power button will illuminate to indicate the unit is on.

**STEP 10:** Press the brewing cycle button, the blue indicator light will illuminate to indicate the brewing cycle has started.

**STEP 11:** Once all the coffee has dripped from the funnel into the thermal carafe and the brewing cycle is complete (approx. 3 minutes for min. water level), the blue indicator light will turn off. Switch off the coffee maker by pressing the power button.

**STEP 12:** Allow an extra couple of minutes for all the coffee to drip from the coffee maker into the thermal carafe.

**STEP 13:** Remove the thermal carafe from the base of the main unit. Press the thermal carafe spout release button to pour the coffee.

**STEP 14:** Once the coffee maker has completely cooled down, lift the top lid up and dispose the used coffee grounds from the filter.



**NOTE:** Once the brewing button has been pressed, the coffee maker will start the brewing cycle and the blue indicator light will remain on until the cycle is complete. To interrupt or stop the brewing cycle, turn off the coffee maker by pressing the power button or switch it off at the mains power supply and unplug it. Brew time with max. water is approx. 8–9 minutes.



**CAUTION:** Do not switch on the coffee maker without any water in the water tank. Do not open the top lid during the brewing cycle, as this will allow steam to escape and could cause scalding or burns.



**WARNING:** Allow the coffee maker to cool for approx. 5 minutes before making a second carafe of coffee. If the coffee maker does not cool completely before reuse, water placed in the water reservoir may overheat. This will allow hot steam to escape, which could injure the user.

## Hints and tips

1. Always use fresh, cold water to fill the water tank.
2. The quantity of ground coffee can be adapted to taste. For stronger coffee, use more ground coffee, for weaker coffee use less.
3. After using packaged ground coffee, tightly reseal it and store in a cool, dry place.
4. To achieve optimum coffee taste, use whole coffee beans and finely grind them before brewing.
5. Do not reuse ground coffee that has already been used in the coffee maker, as this will greatly reduce the flavour of the coffee.
6. Reheating coffee is not recommended, as it affects the taste.