

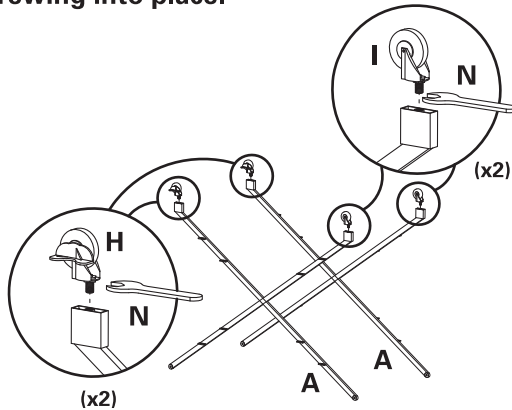
JEMMA GEOMETRIC BAR CART

ASSEMBLY INSTRUCTIONS

FIRSTIME & CO.[®]
— AMERICAN DESIGNED —

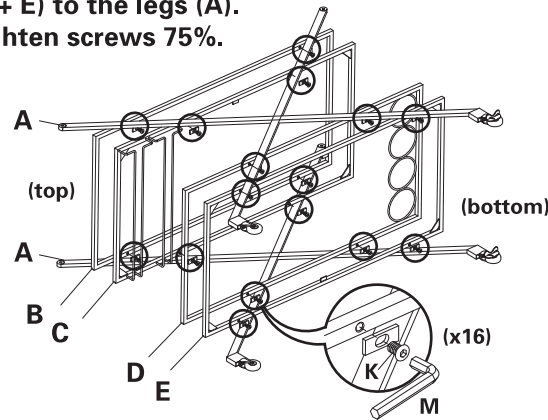
STEP 1

Attach wheels (H + I) to legs (A) by screwing into place.



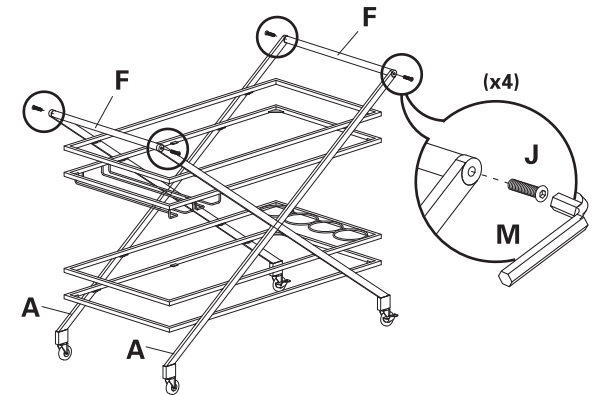
STEP 2

Attach top shelves (B + C) and bottom shelves (D + E) to the legs (A). Tighten screws 75%.



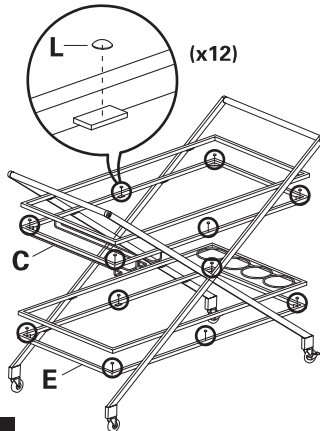
STEP 3

Rotate cart upright. Attach handle bars (F) to legs (A). Tighten all screws 100%.



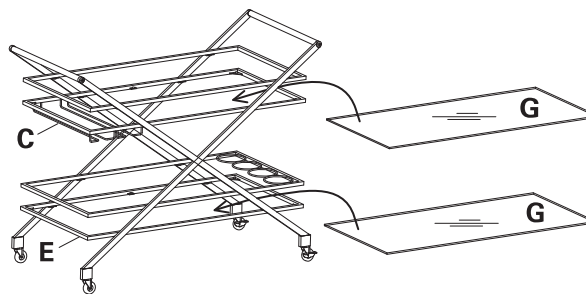
STEP 4

Place glass pads (L) along the shelf frames (C + E).

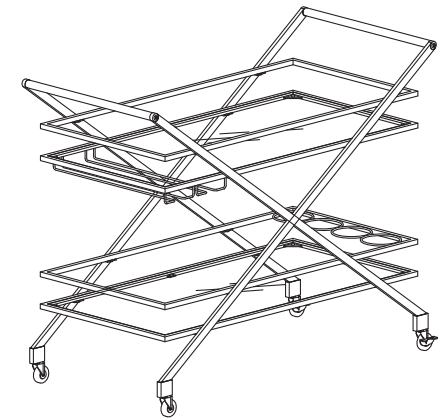


STEP 5



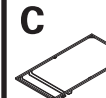











Place glass shelves (G) onto the shelf frames (C + E).



FULLY ASSEMBLED



PARTS

													
2 PC	1 PC	1 PC	1 PC	1 PC	2 PC	2 PC	2 PC	2 PC	1 1/4" long 4 PC	5/8" long 16 PC	12 PC	1 PC	1 PC

NOTE: DO NOT TIGHTEN SCREWS 100% UNTIL FULLY ASSEMBLED.