



Mariposa® | K-1257-RH

72" x 36" alcove heated whirlpool bath, right drain

Features

- Single-speed whirlpool offers performance and value, with six fully adjustable jets
- Hydromassage flow and direction can be controlled at each jet
- Built-in heater
- Generous length provides a spacious bathing area
- Hourglass shape adds style and elegance to your bathroom
- Integral flange helps prevent water from seeping behind wall and simplifies alcove installation
- Textured bottom surface



Available Colors/Finishes

Color tiles intended for reference only.

■ 0 White



1-800-4KOHLER (1-800-456-4537)
Kohler Co. reserves the right to make revisions without notice to product specifications.
For the most current specification sheet, go to www.kohler.com USA or www.kohler.ca Canada.
5-12-2026 18:24 - US-CA

THE BOLD LOOK
OF **KOHLER**

Codes/Standards

ASME A112.19.7/CSA B45.10
CSA B45.5/IAPMO Z124
ASTM E162
ASTM E662
UL 1795
UL Listed

Technical Information

All product dimensions are nominal.

Drain Location:	Right
Drain Hole Diameter:	2-1/4" (57 mm)
Basin Area, Bottom:	50" x 24" (1270 mm x 610 mm)
Basin Area, Top:	65" x 27" (1651 mm x 686 mm)
Water Depth:	14" (356 mm)
Water Capacity:	72 gal (272.5 L)
Minimum Floor Load:	41 lbs/ft ²
Weight:	115 lbs (52.2 kg)

Material

- Acrylic

Recommended Products/Accessories

K-1491 Bath/whirlpool pillow, removable
K-23726 Drain treatment
K-23732 Tub & shower cleaner
K-7265 Brass toe tap bath drain

Required Products/Accessories

- K-T37392 Rotary-turn bath drain trim
 - K-T37391 Rotary-turn bath drain trim
- or
- K-78438 30" cable bath drain
 - K-37383 Rough-in cable bath drain, PVC, 30" cable with tubing

Required Electrical Service

Two dedicated circuits required, protected with Class A Ground-Fault Circuit-Interrupter (GFCI). Outside North America, this device may be known as a Residual Current Device (RCD).

Pump:	120 V, 15 A, 60 Hz
Heater:	120 V, 15 A, 60 Hz

Electrical Component Ratings

Pump:	120 V, 7.5 A, 60 Hz
Number of Speeds:	Single
Heater:	120 V, 12.5 A, 60 Hz, 1500 W

Warranty

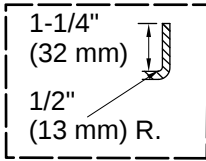
See website for detailed warranty information.

KOHLER® Plastic Baths and Shower Bases Lifetime Limited Warranty|KOHLER® Hydrotherapy Components Five-Year Limited Warranty



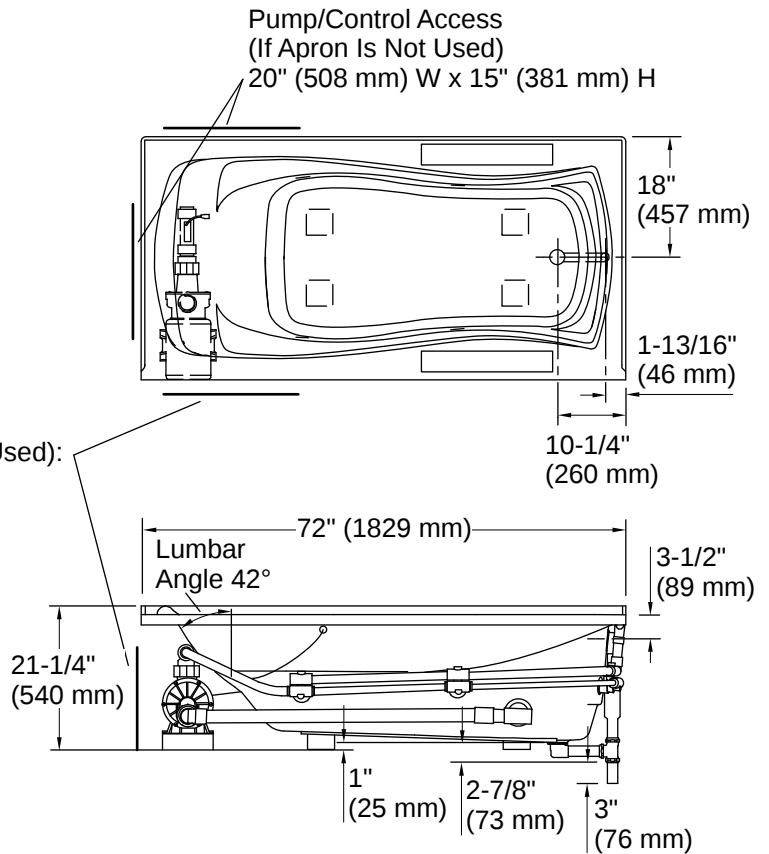
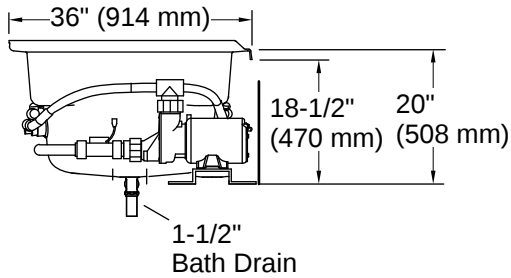
No change in measurements if connected with drain illustrated. (K-11677)

 Recommended Faucet Location



Integral Flange Detail

Pump/Control Access (If Apron Is Not Used):
20" (508 mm) W x 15" (381 mm) H



Installation

- Right drain
- Alcove

Installation Notes

Install this product according to the installation instructions.

Measure your actual product for rough-in details.

The hot water supply should be 70% of the capacity of the bath or greater. Installations will vary.

If installing a rim-mount faucet, make sure there is no interference above or below the deck before drilling any holes.

