

ASSEMBLY INSTRUCTION

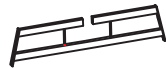
ROUND DINING TABLE

A Table Top



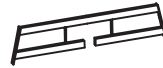
1 pc

B Upper Frame



1 pc

C Lower Frame



1 pc

D Table Leg



4 pcs

E X-Bracket



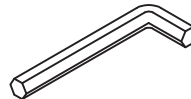
2 pcs

F Bolt with
Lock Washer
and Flat
Washer
1/4", 5/8"



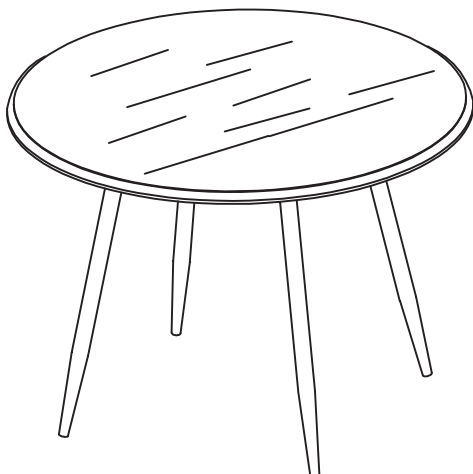
24 pcs

G Allen Wrench



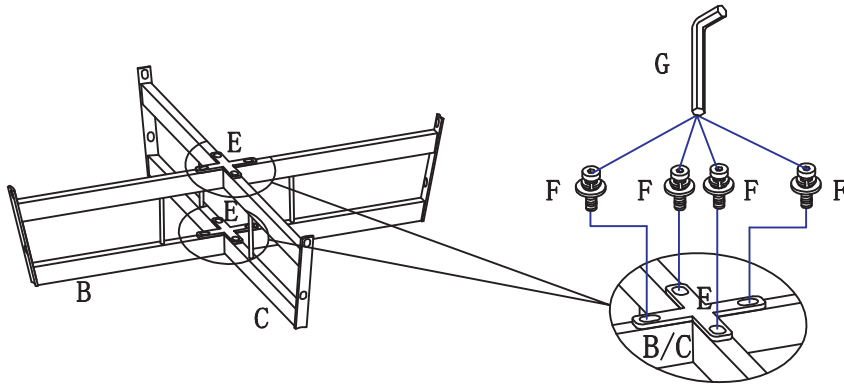
1 pc

This page lists all the contents included in the box. Please take the time to identify the hardware as well as the individual components to this product. As you unpack and prepare for assembly, place the contents on a carpeted or padded area to protect them from damage.



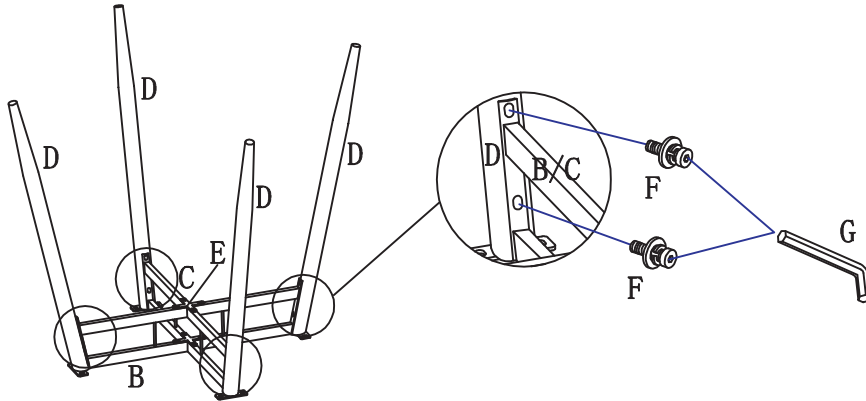
1

Insert Lower Frame (C) to Upper Frame (B), attach X-Bracket (E) to the frame then tighten with Bolt with Lock Washer and Flat Washer (F) and Allen Wrench (G).



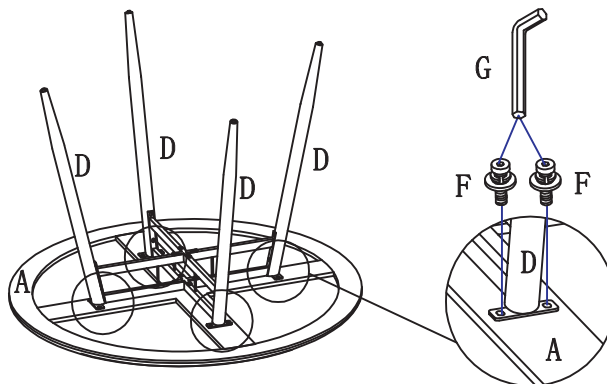
2

Align and assemble Table Legs (D) onto the assembled frames, tighten with Bolt with Lock Washer and Flat Washer (F) and Allen Wrench (G).



3

Place and face down Table Top (A) on the stable and smooth carpeted surface, attach assembled table frames and legs to the Table Top (A) then tighten with Bolt with Lock Washer and Flat Washer (F) and Allen Wrench (G).



Cleaning & Care

Treat surface with care. Surface is resistant to scratches but is not scratch resistant. Clean surfaces with a dry or damp soft cloth. Do not use abrasive cleaners. Hardware may loosen over time. Periodically check that all connections are tight.