

# CROFT

904052FHB-LIA

CROFT 52" LED FAN

DETAILS	
FAN FINISH:	Heritage Brass
GLASS:	Etched Opal
BLADE COUNT:	5
SLOPE DEGREE:	20

DIMENSIONS	
WIDTH:	52"
HEIGHT:	13.5"

LIGHT SOURCE	
LED NAME:	E2G16W7PP
VOLTAGE:	120v
LUMENS:	1320
CRI:	90

MOUNTING	
CANOPY:	6" Dia.
LEAD WIRE:	1 X 76"

SHIPPING	
CARTON LENGTH:	26.7
CARTON WIDTH:	13.2
CARTON HEIGHT:	9.5



Croft features a clean and modern design, but maintains its traditional feel featuring pull chain functionality and a high-quality LED light kit. Offered in three sizes in an array of finishes and blades, Croft is designed to suit any decor.

## PRODUCT DETAILS:

- Can be hung on a sloped ceiling
- This item includes a 4.5" down rod (other lengths of down rods are available)
- Dry Rated
- Control your fan's power, light, speed, direction, and so much more from the Hinkley Home Automation app
- Pull chain manual reverse, accessory controls available
- Reversible blades included; two finishes allow for easily customizable style
- Part of the Regency Series of traditional ceiling fans designed to enhance a wide variety of spaces with versatile designs and classic finishes
- LED components carry a 5-year limited warranty

# HINKLEY

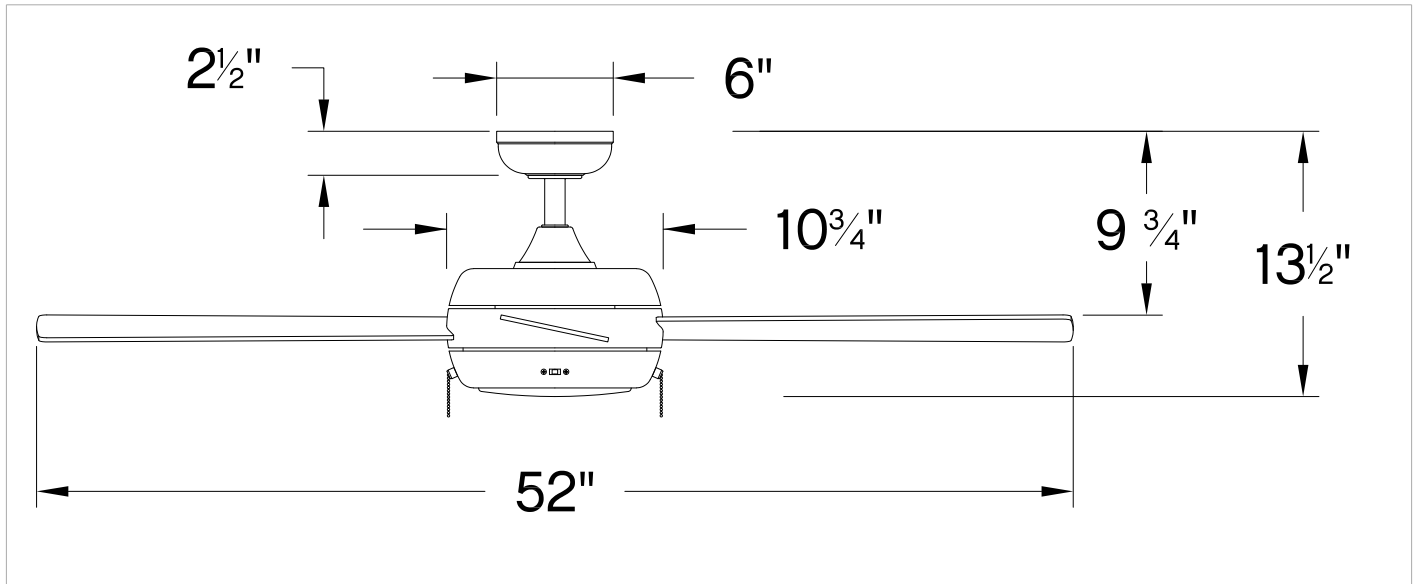
HINKLEY  
33000 Pin Oak Parkway  
Avon Lake, OH 44012

PHONE: (440) 653-5500  
Toll Free: 1 (800) 446-5539

[hinkley.com](http://hinkley.com)

# CROFT 52" LED FAN

904052FHB-LIA



PERFORMANCE SPECIFICATIONS	STANDARD	
	HIGH SPEED	AVERAGE SPEED
Airflow	5039	3675
EnergyUse	64	41
EnergyCost	18	11
Efficiency	79	90
AMPS	0.53	0.4
RPMS	158	115

**HINKLEY**

**HINKLEY**  
33000 Pin Oak Parkway  
Avon Lake, OH 44012

**PHONE: (440) 653-5500**  
Toll Free: 1 (800) 446-5539

[hinkley.com](http://hinkley.com)