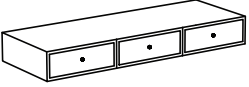



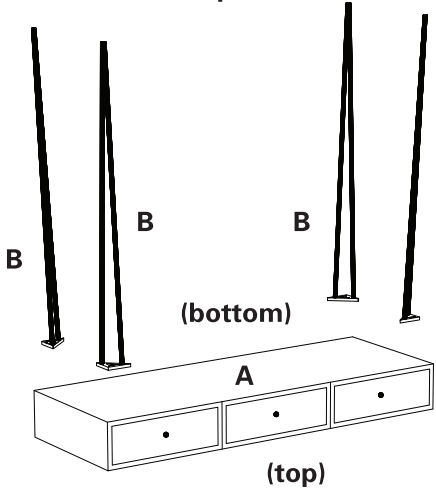

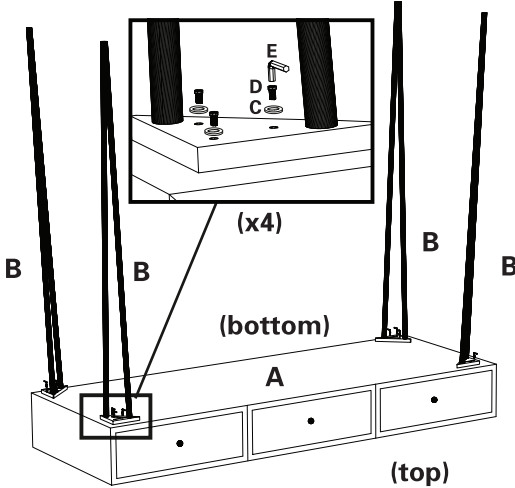
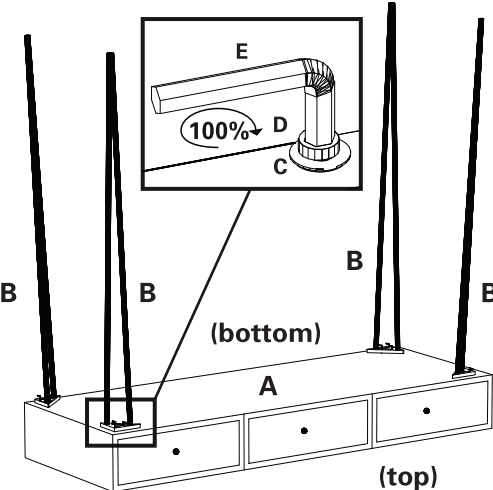
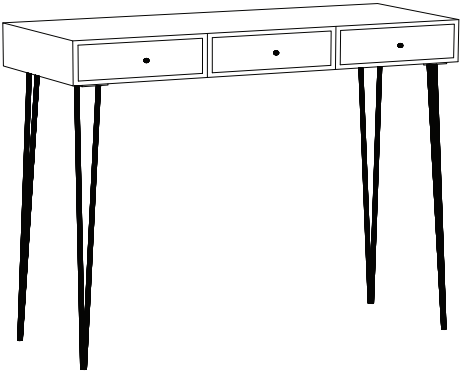


INLAY JAYDEN DESK

ASSEMBLY INSTRUCTIONS

FIRSTIME & CO.[®]
— AMERICAN DESIGNED —

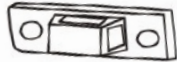



PARTS		
<p>A</p>  <p>1 PC</p>	<p>2 ADULTS REQUIRED FOR ASSEMBLY</p> <p>To ensure that parts for assembly match up correctly, some pieces require tightening screws only part of the way and then completely adjusting all the hardware.</p> <p>Please follow guidelines where percentages are noted.</p>	
<p>B</p>  <p>4 PC</p>	<p>⚠ WARNING:</p> <p>Serious or fatal crushing injuries can occur from furniture tip-over.</p> <p>To help prevent tip-over:</p> <ul style="list-style-type: none"> • Affix product to the wall with included anti-tip kit. • Place heaviest items in the lowest drawers or shelves. • Never allow children to climb or hang on drawer, door or shelves. • Never open more than one drawer at a time. 	
<p>C</p>  <p>(2 extra incl.) 14 PC</p>	<p>ENSURE ALL BOLTS ARE 100% TIGHTENED BEFORE USE. Check and tighten all bolts periodically throughout use of the product.</p>	
<p>D</p>  <p>(2 extra incl.) 14 PC</p>	<p>STEP 1 Align legs to screw holes on the bottom of table top.</p> 	
<p>E</p>  <p>1 PC</p>	<p>STEP 2 Attach legs with washers and screws (3 per leg). Tighten down screws 50%.</p> 	
<p>STEP 3 Tighten all screws 100%.</p> 		<p>FULLY ASSEMBLED</p>  <p>Drawer handles will be installed inside of the drawer to protect them during shipment. Please unscrew the handles and reverse them for use.</p>

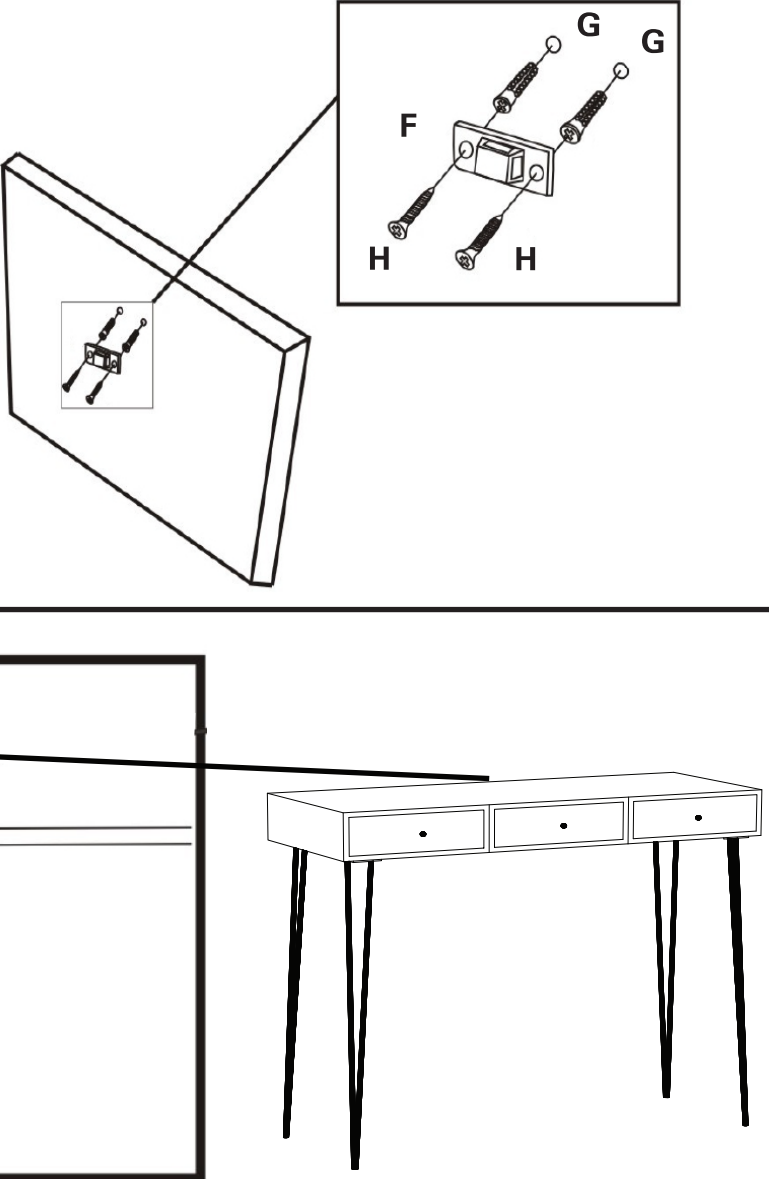
NOTE: Ensure all parts are tightened 100% before use. Check and tighten parts periodically throughout use.

INLAY JAYDEN DESK

ANTI-TIP RESTRAINT INSTRUCTIONS

FIRSTIME & CO.[®]
— AMERICAN DESIGNED —

PARTS	
F  2 PC	STEP 1 Attach clip (F) to furniture with screws (H)
G  2 PC	STEP 2 Attach clip (F) to wall with screws (H). Install anti-tip kit directly into wall stud or use included drywall anchors (G).
H  4 PC	
I  1 PC	STEP 3 Loop zip tie (I) through clips (F) on furniture and on wall.
REQUIRED TOOLS (NOT INCLUDED): <ul style="list-style-type: none">• FLATHEAD SCREWDRIVER• PHILIPS HEAD SCREWDRIVER• WRENCH• HAMMER	STEP 4 Tug on the hardware to ensure that the furniture is attached securely to the wall.



 **WARNING: USE OF A TIP-KIT WILL ONLY REDUCE, NOT ELIMINATE, TIP-OVER.**