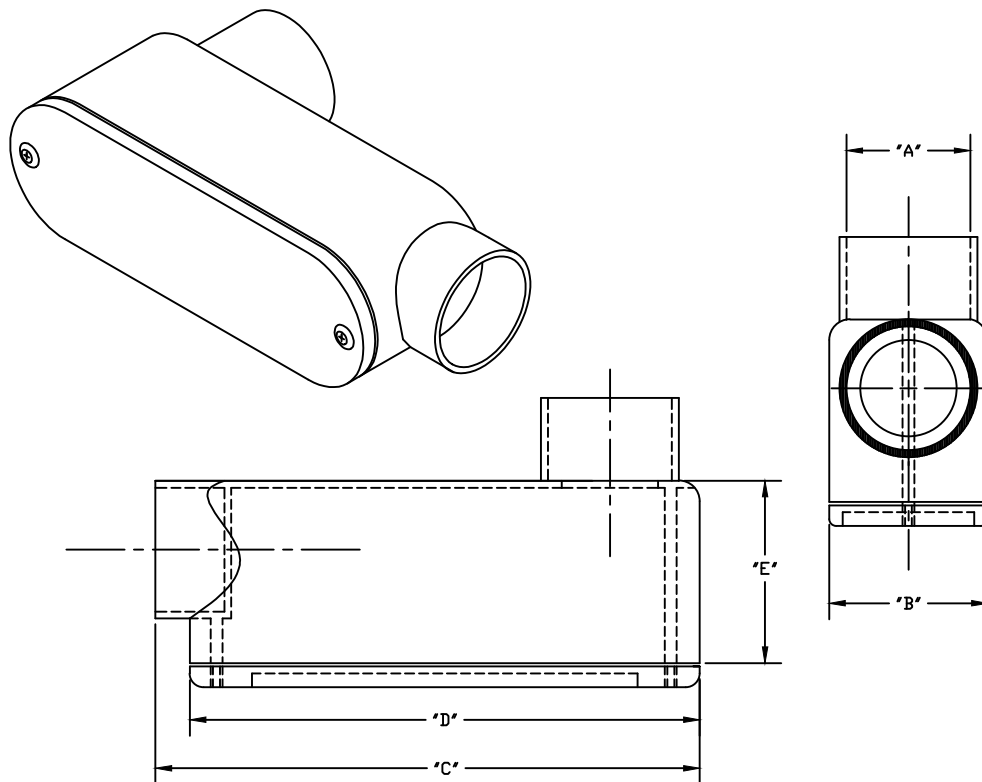


PART NUMBER	SIZE	"A"	"B"	"C"	"D"	"E"	Volume cu. in.	3-wire Fill
5133663	1/2	7/8"	1 5/16"	4 3/16"	4"	1 7/16"	4.3	#6 or smaller
5133664	3/4	1 1/16"	1 1/2"	4 15/16"	4 5/8"	1 5/8"	6.5	#6 or smaller
5133665	1	1 5/16"	1 3/4"	5 7/8"	5 3/8"	2"	11.8	#6 or smaller
5133666	1-1/4	1 11/16"	2 1/2"	7 9/16"	7 3/16"	2 3/8"	25	XHHW #1
5133667	1-1/2	1 7/8"	2 5/8"	8 9/16"	8"	2 3/4"	36.5	XHHW #2/0
5133668	2	2 3/8"	3 1/8"	9 13/16"	9 9/16"	3 3/8"	63.5	XHHW #4/0
5133669	2-1/2	2 7/8"	4 5/8"	1' 3"	1' 7/8"	4 9/16"	198	XHHW 500 MCM
5133670	3	3 9/14"	4 5/8"	1' 3 1/16"	1' 7/8"	4 9/16"	198	XHHW 500 MCM
5133671	3-1/2	4"	5 5/8"	1' 4 3/16"	1' 7/8"	5 1/2"	305	XHHW 500 MCM
5133672	4	4 9/16"	6 1/16"	1' 4 1/8"	1' 2 3/16"	5 1/2"	305	XHHW 500 MCM

Sizes 2 1/2" through 4" have straight (90 deg.) edges/angles

Dimensions are nominal



UL Listed
 UL File # E98429
 UL Category Code QCMZ
 UL Control Number 39N9
 Material is Rigid PVC
 Gasket is Neoprene
 Zinc plated steel screws
 See NEC Article 314 for use



CANTEX INC. Fort Worth, TEXAS		
Type LB Conduit Bodies		
Drawn By: O.M.	Date: 5/12/17	Ref. 5133663