



Play The Best®

TABLE TENNIS TABLE

MODEL NO.

**T8743**

# OWNER'S MANUAL

1. **Read this manual carefully before starting assembly.** Read each step completely before beginning each step.
2. **Some smaller parts may be shipped inside larger parts. Check inside all parts and cartons before assembling or ordering parts.**
3. **To make assembly easier, use the Hardware Identifier on page 2 to identify and sort all fasteners. Check all cartons for kits. All hardware may not be located in one kit.**
4. **Do not tighten hardware until instructed to do so. If hardware is tightened too soon, mounting holes may not align and parts may not easily fit together. Leave locknuts slightly loose until you are instructed to tighten them.**
5. **Tools required for assembly:** Phillips Screwdriver, Two 9/16" Wrenches, Two 7/16" Wrenches (Ratchet and 9/16", 7/16" Sockets **are recommended** and can be substituted for wrenches), Rubber Mallet or Hammer.
6. **An electric screwdriver is helpful in assembly.** However, please set at **low torque** and use caution because you could over-tighten the and strip the screws out of the wooden table top.
7. **Save these instructions and your proof of purchase (receipt) in the event that the manufacturer has to be contacted for replacement parts.**

## Please Do Not Return This Product To The Store!

Contact Escalade® Sports customer service department at:

Phone: 1-800-467-1245 Toll – Free !

Fax: 1-866-873-3533 Toll – Free !

E-mail: [tabletennis@escaladesports.com](mailto:tabletennis@escaladesports.com)

Mailing Address (correspondence only):

Escalade Sports

PO Box 889

Evansville, IN 47706

Please visit our World Wide Web site at: [www.escaladesports.com](http://www.escaladesports.com)

ON-LINE TROUBLE SHOOTING

TECHNICAL ASSISTANCE

ON-LINE PARTS REQUESTS

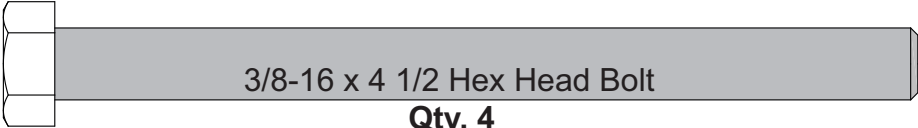
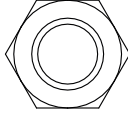
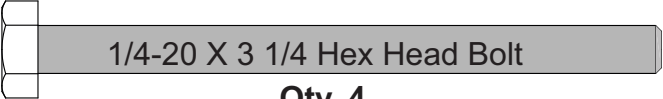

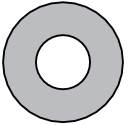

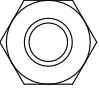

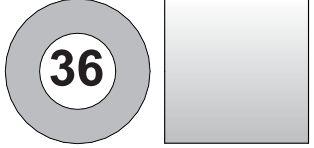

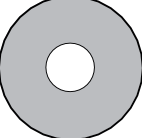
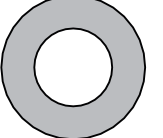
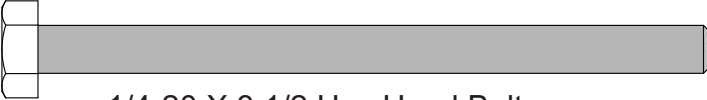
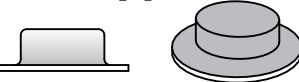

FREQUENTLY ASKED QUESTIONS

ADDITIONAL ESCALADE® SPORTS PRODUCT INFORMATION




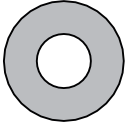
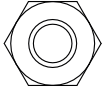

2L-5059-00

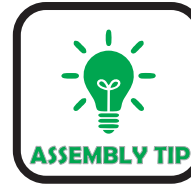
**NOTE:** Sorting your hardware ahead of time will speed up assembly time. Sort all your hardware now so it will be ready before you start assembly.

<b>HARDWARE IDENTIFIER</b>			
<b>27</b>		<b>28</b>	 3/8-16 Nyloc Locknut <b>Qty. 4</b>
<b>29</b>	 1/4-20 X 3 1/4 Hex Head Bolt <b>Qty. 4</b>	<b>30</b>	 1/4-20 x 1 1/2 Phillips Truss Head Screw <b>Qty.4</b>
<b>31</b>	 1/4" Flat Washer <b>Qty.8</b>	<b>5</b>	 #8 X 9/16 Sheet Metal Screw <b>Qty. 4</b>
<b>34</b>	 1/4" Locknut <b>Qty. 12</b>	<b>35</b>	 #8-32 X 1 1/4 Sheet Metal Screw <b>Qty.4</b>
<b>36</b>	 3/4" Long Spacer <b>Qty.4</b>	<b>37</b>	 1/2" Long Spacer <b>Qty.4</b>
<b>38</b>	 1/4" Plastic Washer <b>Qty.4</b>	<b>39</b>	 3/8" Plastic Washer <b>Qty.8</b>
<b>32</b>	 1/4-20 X 3 1/2 Hex Head Bolt <b>Qty.4</b>	<b>11</b>	 3/8" Push Nut <b>Qty.4</b>
		<b>46</b>	 M12 Hex Nut <b>Qty. 4</b>

**Note:** M12 hex nut may be pre-assembled to the leg levelers.

## HARDWARE NEEDED

29		1/4-20 X 3 1/4 Hex Head Bolt (Qty. 4)
31		1/4" Flat Washer (Qty. 8)
34		1/4" Locknut (Qty. 4)
11		3/8" Push Nut (Qty. 4)



On the top of each page you will find a picture of the Hardware Needed (to scale) along with the Quantity, Key# and Description. You can lay the hardware on the picture to identify and sort the hardware.



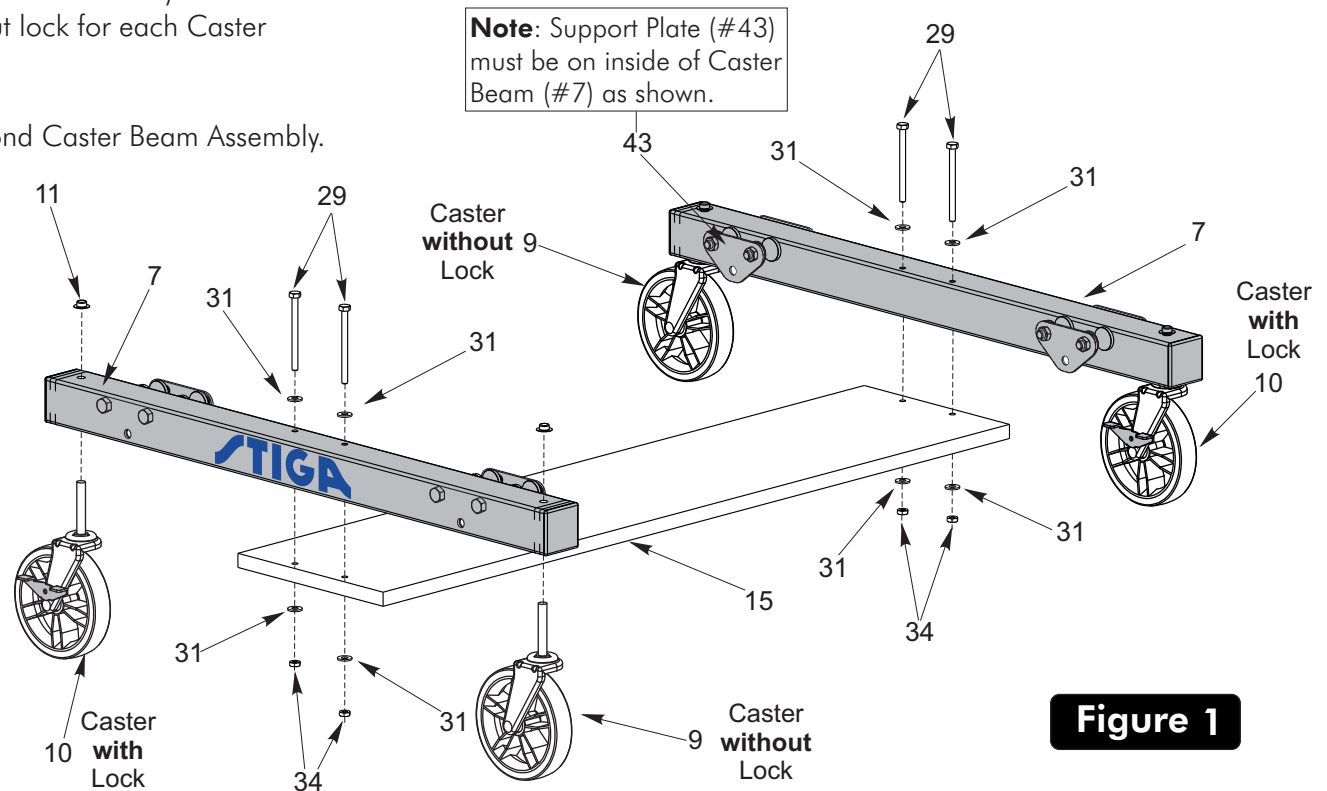
**READ AND FOLLOW ALL ASSEMBLY, OPERATING, AND SAFETY INSTRUCTIONS CAREFULLY. AT LEAST TWO (2) ADULTS ARE NEEDED TO PUT THIS TABLE TOGETHER!**

1. Attach Caster Wheels (#9 & #10) to Caster Beam Assembly. Slide a Caster Wheel **with** Lock (#10) through Caster Beam Assembly (#7) and secure it with a Push Nut (#11) as shown in **Figure 1**. Gently tap the Push Nut (#11) with a hammer to secure it in place. On the other end of the Caster Beam attach a Caster Wheel **without** Lock (#9). Make sure you have one caster wheel with lock and a caster wheel without lock for each Caster Beam Assembly.

Repeat this step to attach the Casters to the second Caster Beam Assembly.

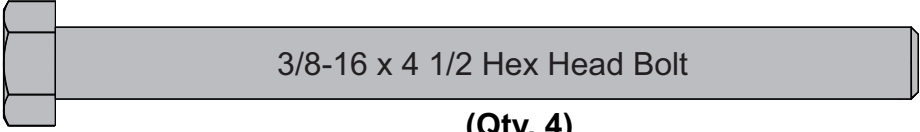
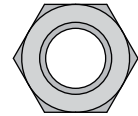
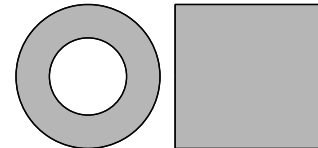
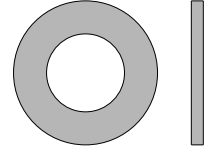
2. Attach Wood Bottom Board (#15) to Caster Beam Assemblies (#7) as shown in **Figure 1**. Turn Caster Beams as shown and attach board with four Hex Head Bolts (#29), eight Flat Washers (#31) and four Locknuts (#34). Tighten nuts securely.

**NOTE: Make sure logos are right side up and facing the outside as shown.**



**Figure 1**

## HARDWARE NEEDED

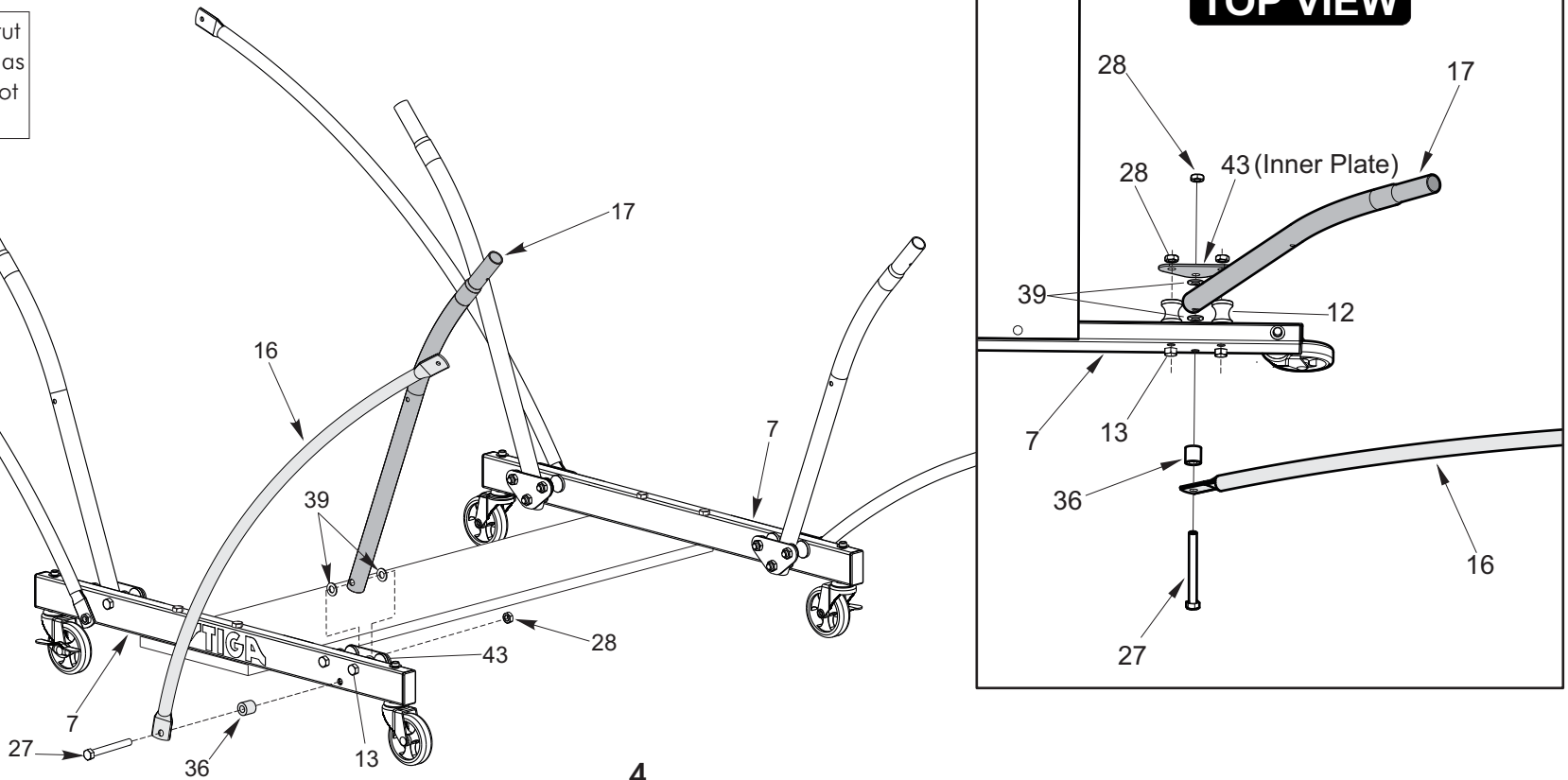
<b>27</b>  <b>3/8-16 x 4 1/2 Hex Head Bolt</b> <b>(Qty. 4)</b>	<b>28</b>  <b>3/8-16 Locknut</b> <b>(Qty. 4)</b>	<b>36</b>  <b>3/4" Long Spacer</b> <b>(Qty. 4)</b>	<b>39</b>  <b>3/8" Plastic Washer</b> <b>(Qty. 8)</b>
---	--	--	---

3. Attach Strut Tubes (#17) and **White** Linkages (#16) to Caster Beam Assemblies (#7) as shown in **Figure 2**.
  - a) If necessary loosen Bolts (#13) and Nuts (#28) so that Strut Tube (#17) can fit between Support Plate (#43) and Caster Beam (#7) as shown in the **Top View** and **Figure 2**.
  - b) Slide one Hex Bolt (#27) through one linkage (#16) one Spacer (#36) pass through Caster Beam (#7), followed by one Plastic Washer (#39), Strut Tube (#17), another Plastic Washer (#39), inner Support Plate (#43) and Lock Nut (#28).
  - c) Repeat on other end of Caster Beam (#7) and on second Caster Beam.
  - d) Tighten Nuts (#28) on Bolts (#13) securely.
  - e) Tighten Nuts (#28) on Bolts (#27) securely.

**NOTE:** Tighten nuts so that end of Bolt (#27) is even with the edge of nut.

**Note:** Linkages & Strut tubes must be turned as shown or table will not operate correctly.

**Figure 2**



4. Rotate U-support (#21) that is on bottom of Table Top until you see the screw holes in the slots of U-clips (#22). If necessary Slide U-support (#21) side to side and back and forth to see holes. See **Figure 3 & Detail A**.

**NOTE:** To aid in assembly use a cordless drill but **DO NOT** over tighten screws. **Wear safety glasses.**

5. Insert Screw (#35) through slot in U-clip (#22) and into U-support (#21). See **Figure 3 & Detail A**. Thread screw all the way into U-support until it touches the back of the tube. There should be about 3/8" of screw (#35) left sticking out. Repeat for second Screw (#35) and U Clip (#22).
6. Attach nut (#46) to leveler (#26) and screw all the way into leg as shown in **Detail 1**.
7. Repeat steps **4-6** on other table top assembly.

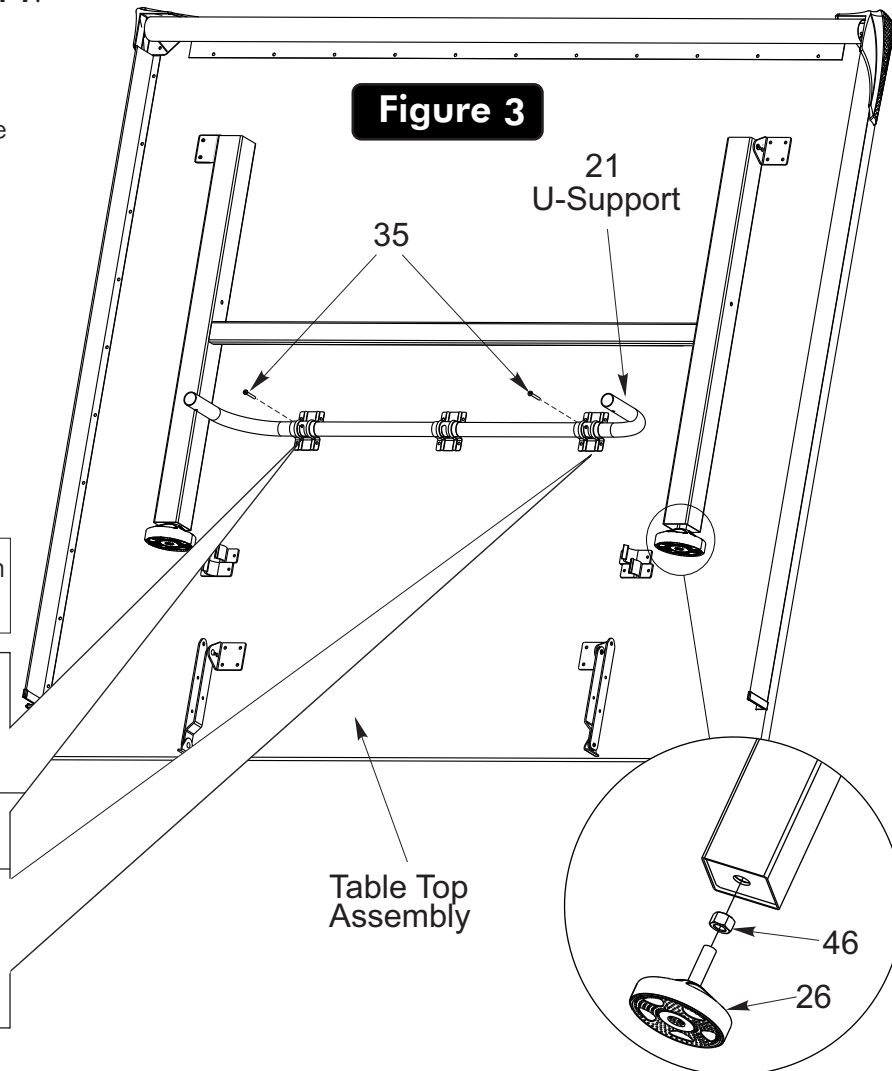
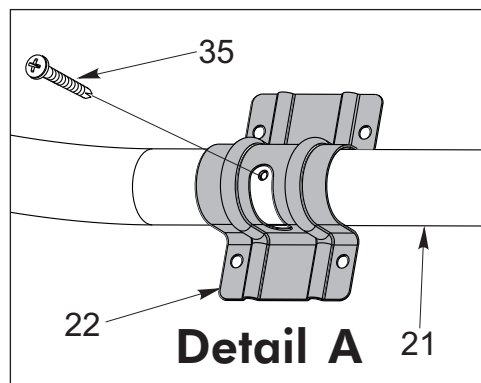
**NOTE:** Prepare an area for the assembly of the second table top half. If necessary, move the first table top half aside with the aid of a helper. Be sure to place it in a location where it won't be disturbed or damaged. If setting on its side, be sure to place the bottom edge no less than 12 inches away from the wall. Also be sure to place carpet or pieces of the shipping carton down to protect table top edges. If floor is not carpeted, brace table top half with a heavy object to keep it from sliding.

If you want to see a video on how to insert Screw (#35) go to:  
<http://www.escaladesports.com/customer-service/instruction-videos>

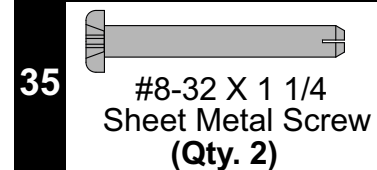
Or  
 Scan with your smartphone:



Note: Slide U-Support back and forth until you see the hole if necessary.



### HARDWARE NEEDED



### Detail 1



### WARNING:

DO NOT OPEN THE TABLE TO PLAYING POSITION UNTIL BOTH TOPS ARE INSTALLED! DO NOT LEAVE TABLE STANDING UNATTENDED. IT COULD BE KNOCKED OVER CAUSING SERIOUS BODILY INJURY OR PROPERTY DAMAGE.

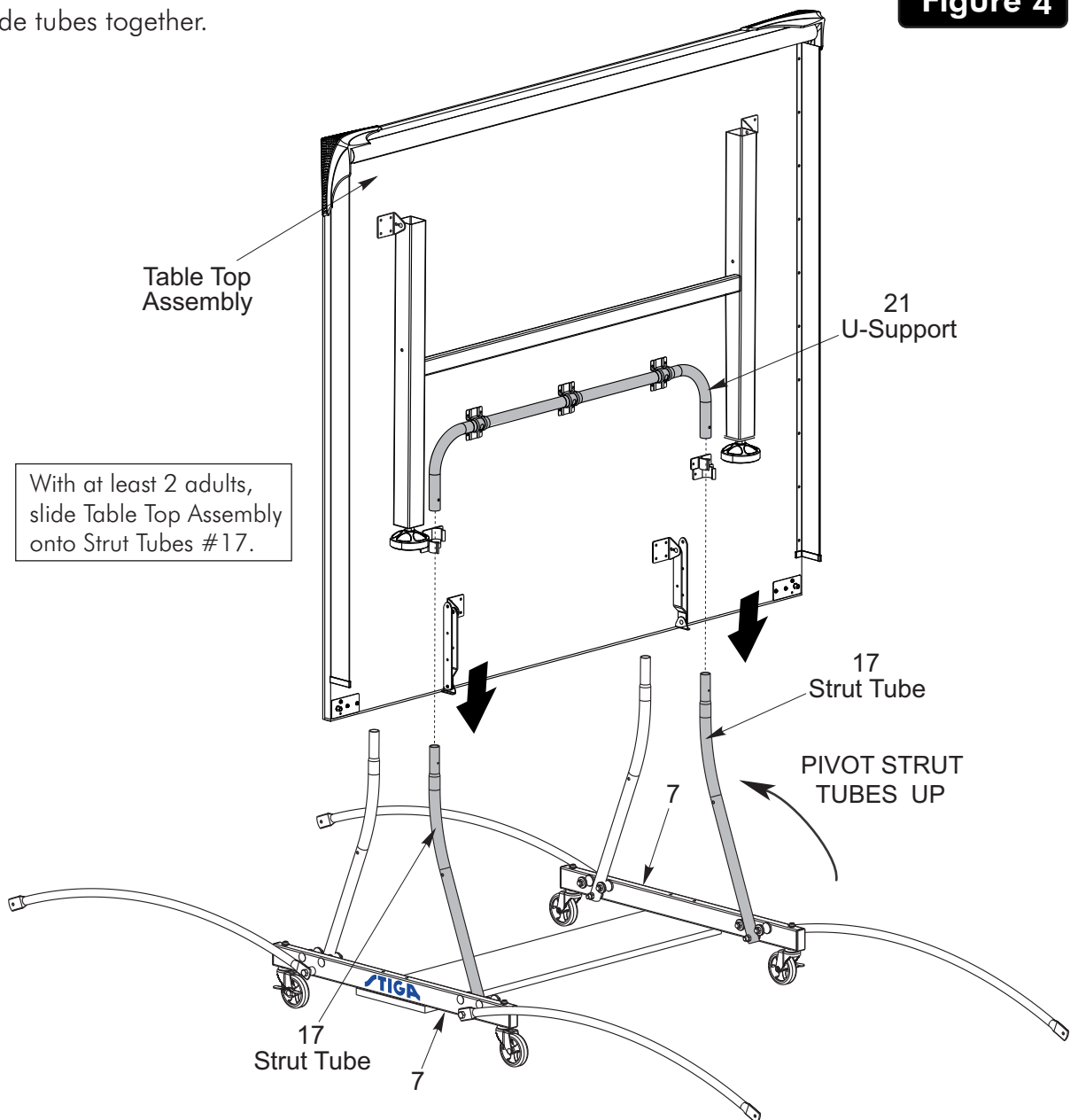


### WARNING:

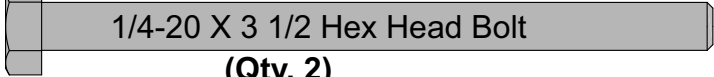
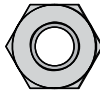

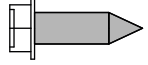
AT LEAST TWO (2) ADULTS ARE NEEDED TO COMPLETE THE REST OF THIS ASSEMBLY! WHEN ASSEMBLING TOPS TO BASE, HANDLE TOP ASSEMBLIES BY GRASPING ONLY THE TOPS THEMSELVES. DO NOT GRASP METAL LEGS, U-SUPPORT, LINKAGE, OR HINGES. THESE PARTS CAN MOVE AND COULD PINCH FINGERS OR HANDS CAUSING SERIOUS INJURY! ASSEMBLE AS SHOWN WITH LEGS FULLY CLOSED AND TOPS IN A VERTICAL POSITION. DO NOT OPEN LEGS AND TRY TO ASSEMBLE. TABLE TOPS ARE **HEAVY** - DO NOT ATTEMPT TO ASSEMBLE ALONE!

- Attach Table Top Assembly to Base Assembly as shown in **Figure 4**. Pivot Strut Tubes (#17) up as shown; then, with **at least one adult on each side** of Table Top, lift top and align ends of U-support tube (#21) with tops of Strut Tubes (#17) as shown in **Figure 4**. Lower the table in a controlled manner and as even as possible so the Strut Tube goes in the U-Support evenly. Carefully slide tubes together.

**Figure 4**



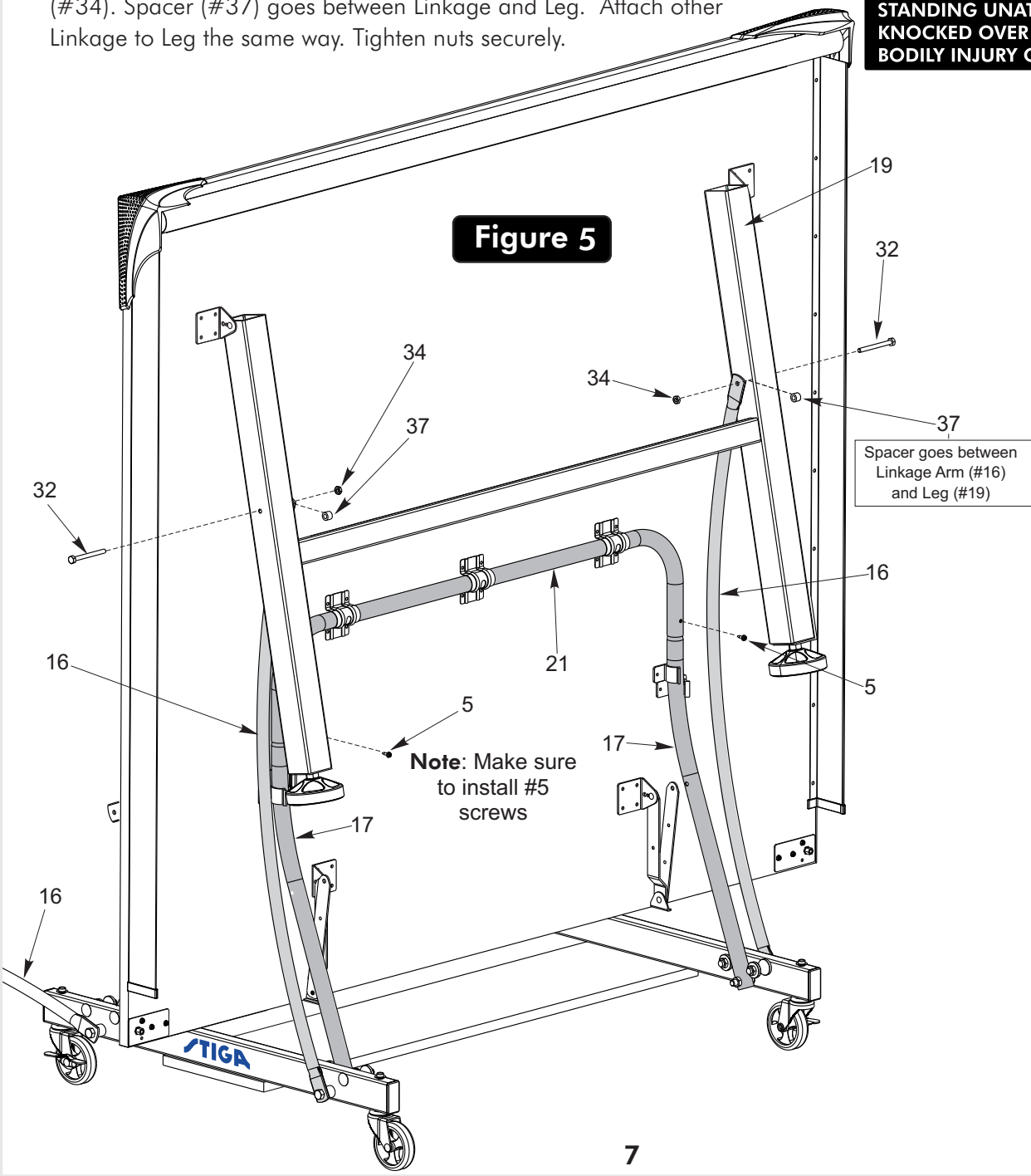
## HARDWARE NEEDED

<b>32</b>	 <b>1/4-20 X 3 1/2 Hex Head Bolt</b> <b>(Qty. 2)</b>	<b>34</b>	 <b>1/4-20 Locknut</b> <b>(Qty. 2)</b>	<b>37</b>	 <b>1/2" Long Spacer</b> <b>(Qty. 2)</b>
				<b>5</b>	 <b>#8 X 9/16</b> <b>Screw</b> <b>(Qty. 2)</b>

9. Secure U-support tube (#21) to Strut Tubes (#17) with two Screws (#5) as shown in **Figure 5**. Align holes in U-support with holes in Strut Tubes and thread screw (#5) into hole in Strut Tube (#17). Tighten screws all the way but be careful not to over tighten as you could strip threads on screws.
10. Attach Linkages (#16) to Leg (#19) as shown in **Figure 5**. Pivot Leg (#19) **out** from the table top and pivot both linkages (#16) up and align hole in Linkage with hole in Leg (#19). Attach Linkage (#16) to Leg (#19) using Hex Head Bolt (#32), Spacer (#37) and Locknut (#34). Spacer (#37) goes between Linkage and Leg. Attach other Linkage to Leg the same way. Tighten nuts securely.

**⚠ WARNING:**

**DO NOT OPEN THE TABLE TO PLAYING POSITION UNTIL BOTH TOPS ARE INSTALLED! DO NOT LEAVE TABLE STANDING UNATTENDED. IT COULD BE KNOCKED OVER CAUSING SERIOUS BODILY INJURY OR PROPERTY DAMAGE.**





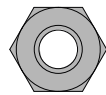
## HARDWARE NEEDED

30



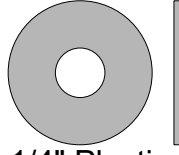
1/4-20 X 1 1/2 Phillips  
Truss Head Screw  
(Qty. 2)

34



1/4-20 Locknut  
(Qty. 2)

38



1/4" Plastic  
Washer  
(Qty. 2)



## WARNING:

**DO NOT OPEN THE TABLE TO PLAYING POSITION UNTIL BOTH TOPS ARE INSTALLED! DO NOT LEAVE TABLE STANDING UNATTENDED. IT COULD BE KNOCKED OVER CAUSING SERIOUS BODILY INJURY OR PROPERTY DAMAGE.**

**NOTE:** Due to shipping requirements the hinge (#18) may be positioned as shown in **Detail B**, if so you will have to rotate the hinge to the position shown in **Detail C**. **DO NOT** unscrew the hinge, you can rotate the hinge without unscrewing it from the table.

11. Attach Hinges (#18) to Strut Tubes (#17) as shown in **Figure 6 & Detail C**. With hinge positioned as shown, align hole in hinge with hole in Strut Tube and attach with 1/4" Screw (#30), Plastic Washer (#38) and Locknut (#34). Plastic Washer (#38) goes between Strut Tube and Hinge. Tighten nut securely. Repeat for other Hinge. **CAUTION: Hinges must be positioned exactly as shown or table will not operate correctly and could be damaged. DO NOT take hinges off.**

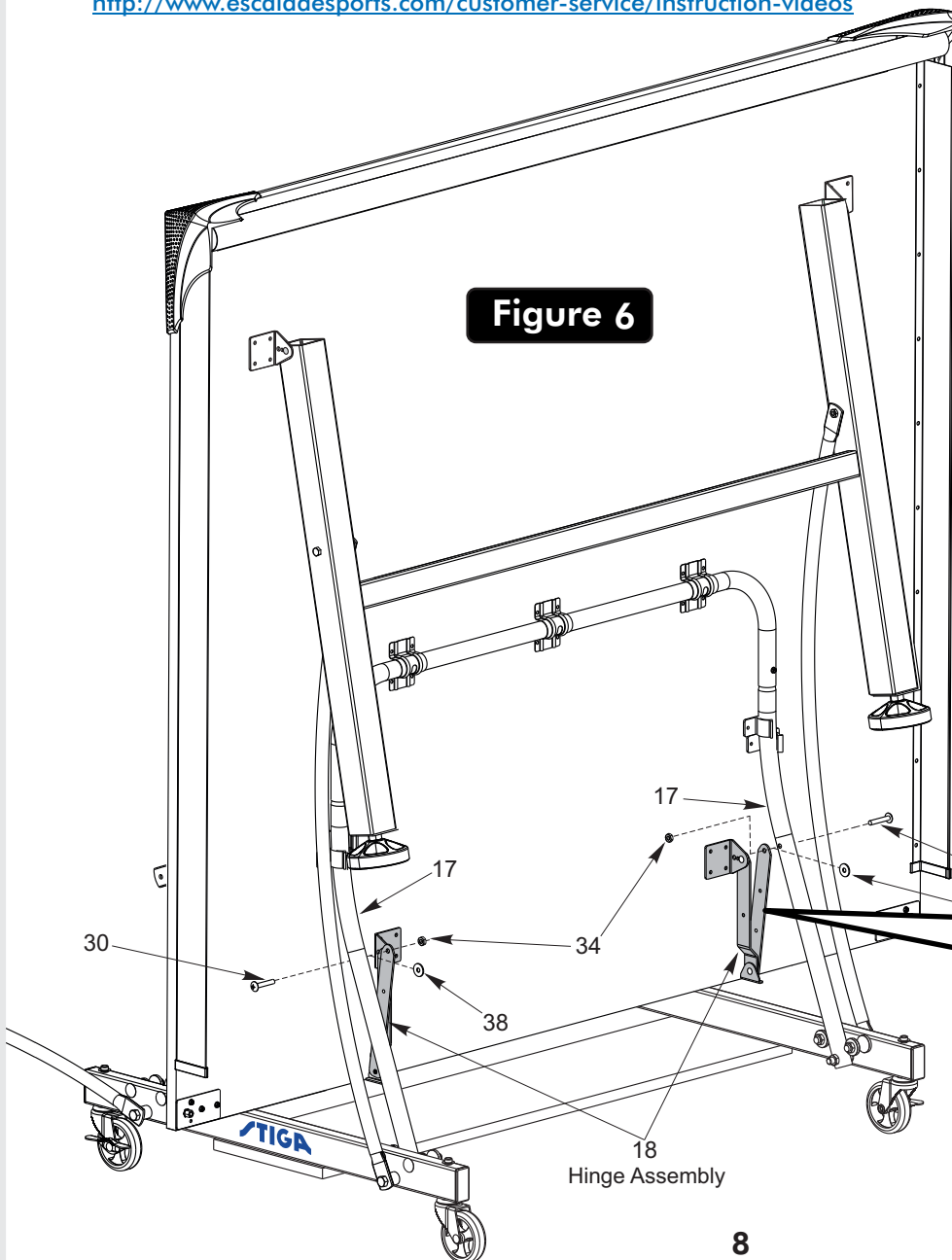
12. **With at least two adults**, repeat steps 8 through 11 for other table top assembly.

If you want to see a video on how to attach hinges to Strut tube go to:  
<http://www.escaladesports.com/customer-service/instruction-videos>

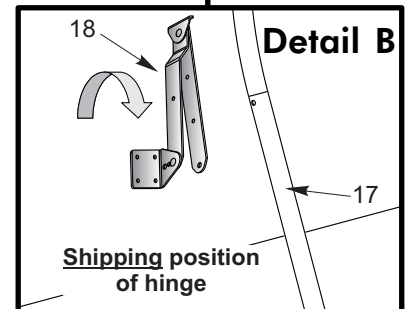


Or Scan QR code with your smartphone:

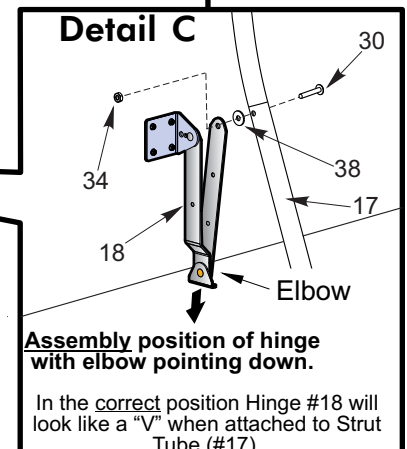
**Figure 6**



**ATTENTION:** If hinge is positioned as shown below (**Detail B**), Rotate the hinge as shown in **Detail C**. Do not take hinge off.

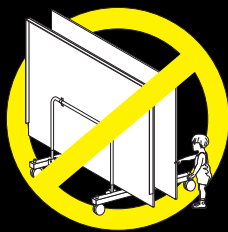


**CAUTION:** Position Hinges exactly as shown in **Detail C** or table will not operate correctly and could be damaged.





# OPENING AND CLOSING INSTRUCTIONS



## CAUTION:

EXERCISE CAUTION IN OPENING/CLOSING TABLE. SMALL CHILDREN, OR CHILDREN NOT PROPERLY INSTRUCTED IN ITS USE, MUST NOT BE ALLOWED TO OPEN/CLOSE TABLE. IMPROPER HANDLING AND MISUSE CAN RESULT IN SERIOUS INJURY OR DAMAGE. DO NOT CLIMB, STAND, OR JUMP ON TABLE. MOISTURE AND CONDENSATION WILL DAMAGE PLAYING SURFACE OF THIS TABLE. STORE IN DRY, INDOOR PLACE.

### TO OPEN:

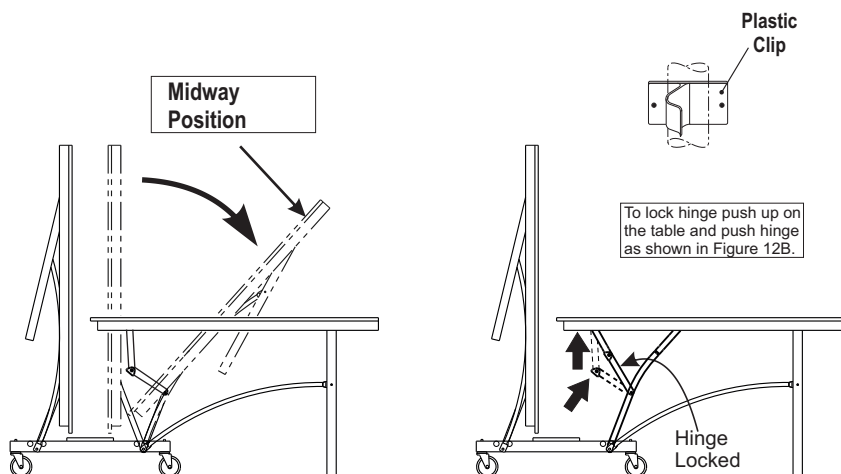
1. Hold center of top edge. Gently pull outward to midway position. Continue to pull until disengaged from plastic clips and legs rest on the floor as shown in **Figure 7A** and **7B**. Do not leave table partially opened at midway position.
2. Lower second top as described in step 1.
3. Lock all four center hinges. See **Figure 8**.
4. Attach net posts and net to table as shown in the **next page** (10).

**NOTE:** Net will be tight. It will be necessary to stretch net. This will insure proper net tension.

**Caution:** To prevent damage to the net system and/or table top, the post assembly must be pivoted toward side of table before lifting table tops to storage position. Loosen knob and pivot net post toward table side as far as it will go. Re-tighten knob.

### TO CLOSE:

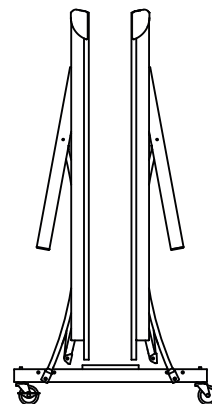
1. Pivot the net post toward side of the table.
2. Unlock all four hinges.
3. Lift one table half to midpoint until the plastic clips are engaged. Then continue lifting until closed.
4. Raise other table half in the same manner as shown in **Figure 9**.



**Figure 7A**

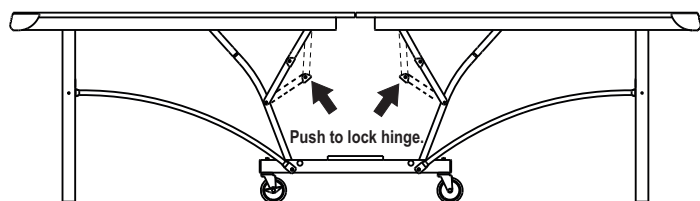
**PLAYBACK POSITION**

**Figure 7B**



**STORAGE POSITION**

**Figure 9**

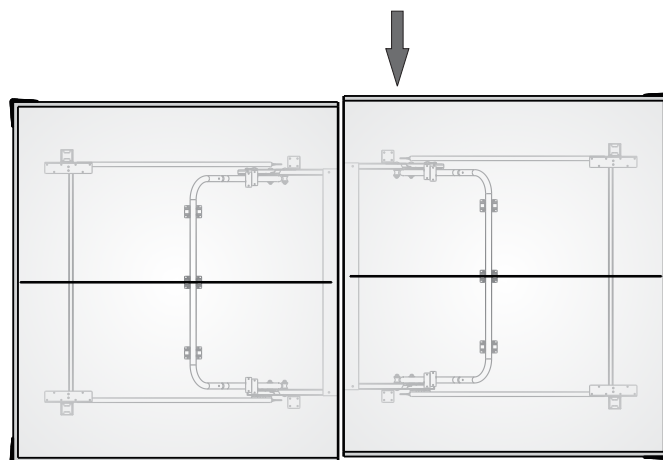


**Figure 8**

**PLAYING POSITION**

**IF TABLE IS NOT ALIGNING CORRECTLY:** (see **Figure 10**)

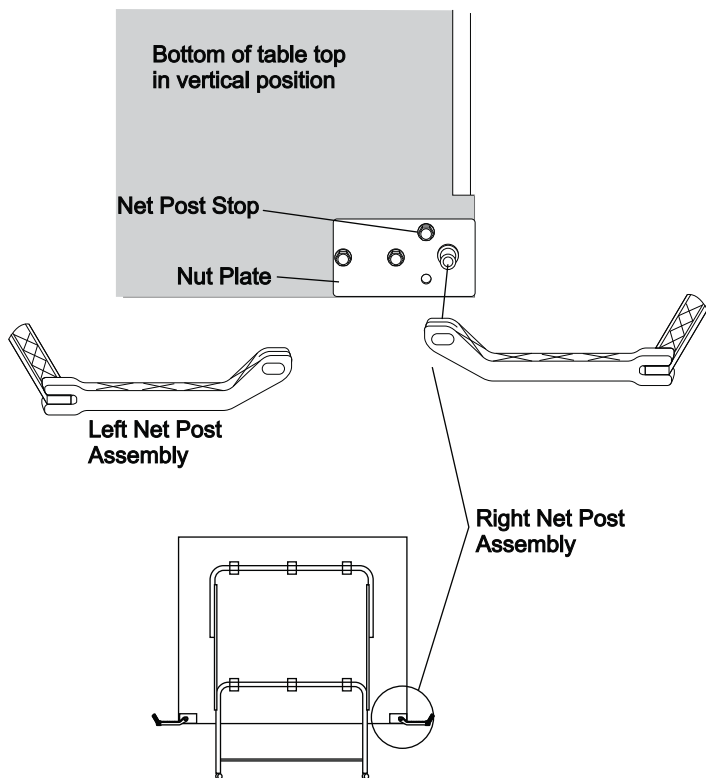
1. Set the table to the Playing Position and lock hinges as shown in **Figure 8**.
2. Loosen Wing Nuts (#34) attached to bolt (#29) in order to create enough slack to align table tops. See **Figure 1** on page 3.
3. With the help of two other adults, push the two table top halves so they are in line with each other and re-tighten the Wing Nuts (#34) as shown in **Figure 10**.



**Figure 10**

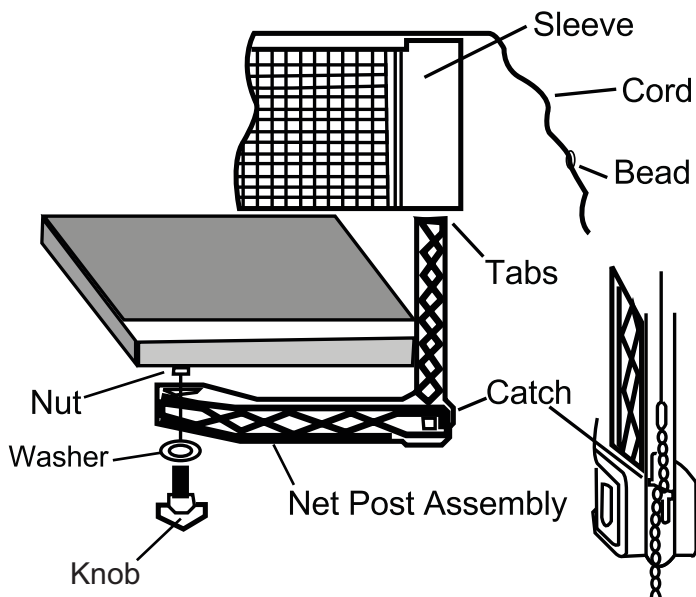
**TOP VIEW**

# Net System Description



## 1. Net Post Assembly

Attach plastic net post as shown with washer and knob. Note: there is a left and right net post assembly (See Net System Description). Post assembly should rest flat against nut plate. Slide the net sleeve over the vertical post while the net post assembly is folded in toward the side of the table top. Fold the net post assembly out against the net post stop into the post and secure bead chain in catch.

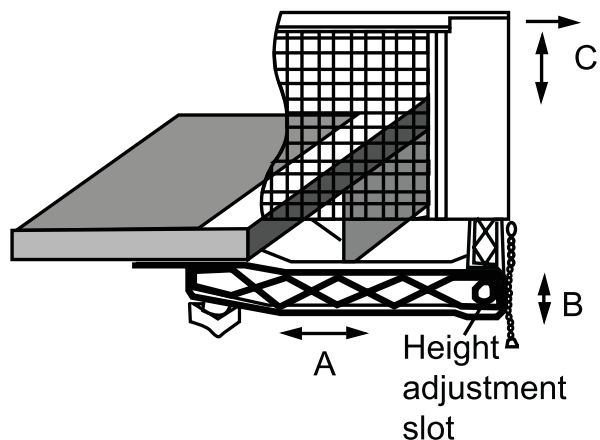


## 2. Adjustments

A - Adjust overall net tension by slightly loosening the knob and moving net post assembly. Moderately tighten knob. Net post assembly should be kept square with the table by the net post stop (See Net System Description).

B - Adjust tension of cord with bead chain on each side. Assure that chain is fully seated in catch.

C - Position top of net to a regulation height of 6" from the table surface by firmly gripping the vertical net post within height adjustment slot



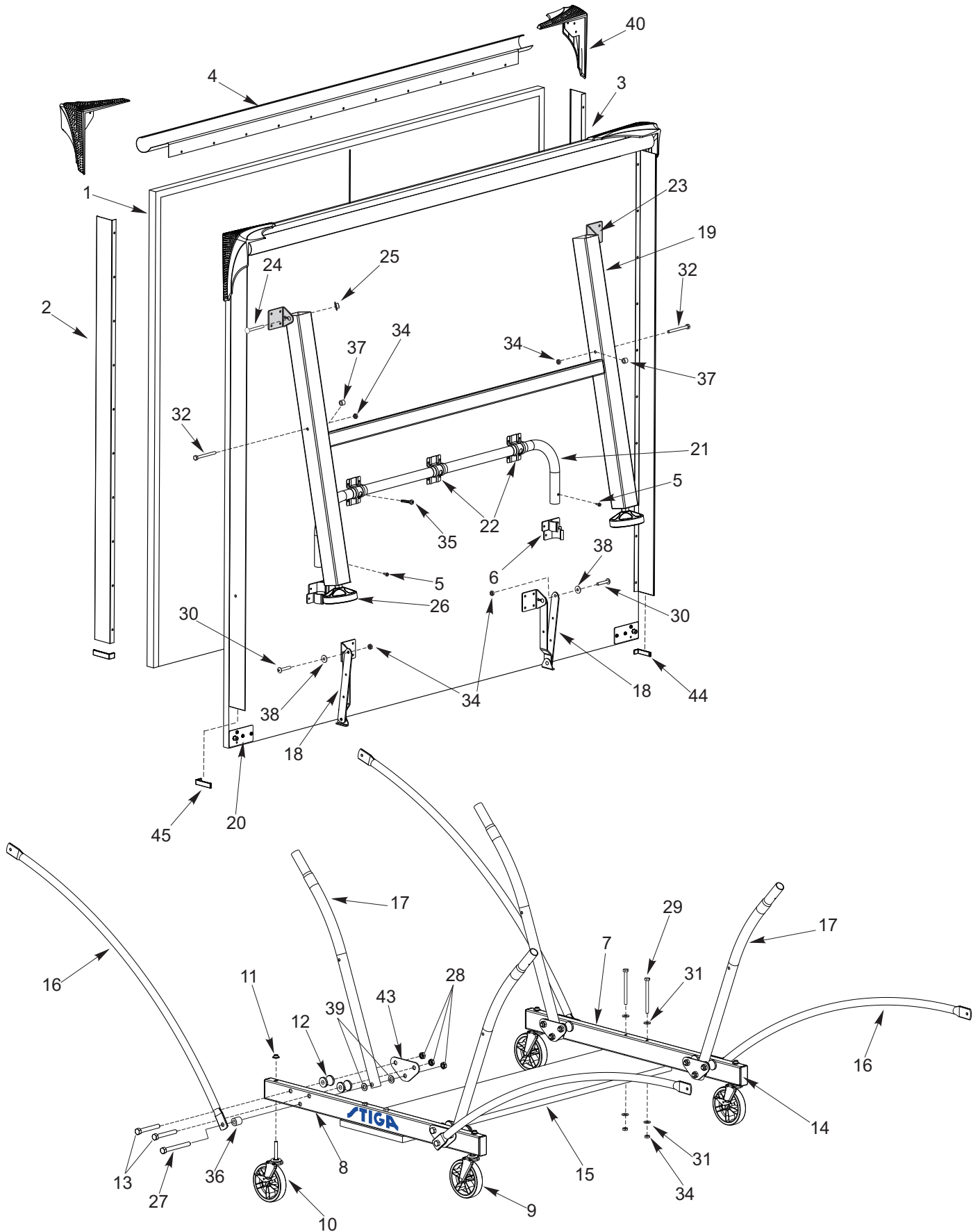
## 3. Storage

Caution: To prevent damage to the net system and/or table top, the post assembly must be pivoted toward side of table before lifting table tops to storage position. Loosen knob and pivot net post toward table side as far as it will go. Retighten Knob.

# Replacement Parts List for Model Number T8743

Key#	Part #	Description	Qty.
1	4A-5493-00	1" BLUE TOP	2
2	2S-6869-31	2 1/2" SIDE RAIL - RIGHT HAND	2
3	2S-6869-32	2 1/2" SIDE RAIL - LEFT HAND	2
4	2S-5136-04	BALL HOLDER END RAIL - 59"	2
5	1B-4082-99	#8 X 9/16 SHEET METAL SCREW	144
6	3M-6273-00	PLASTIC CLIP	8
7	4A-7610-03	CASTER BEAM ASSEMBLY (NO CASTERS)	2
8	8S-6857-05	CASTER BEAM ONLY	2
9	2Q-4025-02	5" CASTER - NON LOCKING	2
10	2Q-4026-02	5" CASTER - WITH LOCK	2
11	2B-4043-02	3/8" PUSH NUT	4
12	3M-6884-00	STOP SPOOL	8
13	1B-6939-02	3/8-16 X 3 3/4 HEX HEAD BOLT	8
14	3M-6248-00	TUBE PLUG - 2" X 2"	4
15	2W-6268-02	BOTTOM BOARD	1
16	8S-6853-04	LINKAGE - BLACK	4
17	8S-6856-08	STRUT TUBE	4
18	4A-5423-04	HINGE & MOUNTING BRACKET ASSEMBLY	4
19	1A-4111-02	LEG ASSEMBLY	2
20	1A-6285-00	NUT PLATE	2
21	8S-6855-03	U SUPPORT	2
22	2S-6879-10	1" U CLIP	6
23	2S-4597-08	MOUNTING BRACKET	4
24	3B-6026-01	RIVET - 1/4 X 2 7/8"	4
25	2B-4035-02	1/4" PUSH NUT	4
26	2Q-6467-00	LEG LEVELER	4
27	1B-6910-02	3/8-16 x 4 1/2 HEX HEAD BOLT	4
28	2B-4053-02	3/8-16 NYLOC LOCK NUT	12
29	1B-6477-02	1/4-20 x 3 1/4 HEX HEAD BOLT	4
30	1B-4097-02	1/4-20 x 1 1/2 PHILLIPS HEAD SCREW	4
31	2N-0109-02	1/4 FLAT WASHER	4
32	1B-6940-02	1/4-20 X 3 1/2 HEX HEAD BOLT	4
33	NOT USED		
34	2B-4047-02	1/4-20 NYLOC LOCK NUT	12
35	1B-4089-02	#8-32 x 1 1/4 SHEET METAL SCREW	4
36	7B-4061-00	3/4 OD X 13/32 ID X 3/4 LONG SPACER	4
37	7B-4062-00	1/2 OD X 9/32 ID X 1/2 LONG SPACER	4
38	2B-6087-02	1/4" PLASTIC WASHER	4
39	2B-4054-00	3/8" PLASTIC WASHER	8
40	3M-4161-00	CORNER PROTECTOR	4
41	5A-4243-00	PIVOTING NET & POST SET	1
42	2L-5059-00	OWNERS MANUAL - T8743	1
43	2S-6875-04	SUPPORT PLATE	4
44	3M-4150-00	RH VINYL END CAP	2
45	3M-4151-00	LH VINYL END CAP	2
46	2B-6284-02	M12 HEX NUT	4

\*PARTS LIST ON PREVIOUS PAGE.



## ONE YEAR LIMITED WARRANTY

This consumer warranty extends to the original consumer purchase of any ESCALADE® SPORTS Product (hereinafter referred as the "Product").

**WARRANTY DURATION:** This Product is warranted to the original consumer purchase of a period of one (1) year from the original purchase.

**WARRANTY COVERAGE:** ESCALADE SPORTS warrants to the original Consumer Purchaser that any Product of its manufacture is free from defects in material and workmanship when used for the intended purpose under normal use and conditions. THIS WARRANTY IS VOID IF THE PRODUCT HAS BEEN DAMAGED BY ACCIDENT, UNREASONABLE USE, NEGLIGENCE, IMPROPER SERVICE, FAILURE TO FOLLOW INSTRUCTIONS PROVIDED WITH THE PRODUCT OR OTHER CAUSES NOT ARISING OUT OF DEFECTS IN MATERIAL AND WORKMANSHIP.

**WARRANTY PERFORMANCE:** During the above one (1) year warranty period, ESCALADE SPORTS shall repair or replace with a comparable model, and Product, or component thereof, which may prove defective under normal use and proper care, and which our examination shall disclose to our satisfaction to be thus defective, please contact our Warranty Dept.

1-800-467-1245 / Warranty Dept.

Or Write us at:

Escalade® Sports, Inc. - P.O. Box 889, Evansville, IN 47706 - Attn: Warranty Dept.

Or E-mail us at:

customerservice@escaladesports.com

Other than shipping requirements no charge will be made for such repair or replacement of in-warranty Products. ESCALADE® SPORTS strongly recommends that the Product is insured for value prior to mailing.

**WARRANTY DISCLAIMERS:** ANY IMPLIED WARRANTIES ARISING OUT OF THIS SALE, INCLUDING BUT NOT LIMITED TO THE IMPLIED WARRANTIES OF MERCHANTABILITY AND FITNESS FOR A PARTICULAR PURPOSE, ARE LIMITED IN DURATION TO THE ABOVE ONE (1) YEAR WARRANTY PERIOD. ESCALADE® SPORTS SHALL NOT BE LIABLE FOR LOSS OF USE OF THE PRODUCT OR OTHER CONSEQUENTIAL OR INCIDENTAL COSTS, EXPENSES OR DAMAGES INCURRED BY THE CONSUMER OF ANY OTHER USE.

Some states do not allow the exclusion or limitation of implied warranties or consequential or incidental damages, so the above limitations or exclusions may not apply to you.

**LEGAL REMEDIES:** This warranty gives you specific legal rights and you may also have other rights which may vary from state to state.

## CARE AND MAINTENANCE

You have purchased a quality product that will give you years of enjoyment. By following these simple maintenance steps, you will add to the life of your new table.

### THE TABLE TOP

The top (playing surface) of your table is made of particle board or MDF. Like all products made of wood, it can be affected by atmospheric changes in both temperature and humidity. This may cause a slight sag or distortion as the top expands or contracts. This is normal and should not cause concern as it does not detract from the play or utility value of the table. After assembly of the table, you can minimize the effects of temperature and humidity changes by storing the table in the folded up position in a dry area when table is not in use.

### STORAGE OF YOUR TABLE

This table must be stored indoors to prevent damage to the playing surface. Dampness and extreme temperature changes can cause the wood to warp, swell, crack or blister. When your table is not in use, it should be folded up in a dry area. Due to the nature of particle board, table top may bow. Damp and humid conditions will amplify this. This is normal and will not affect playability of table.

### CLEANING YOUR TABLE

To clean your table use a soft, damp (NOT WET) cloth only. To prevent damage to your table's playing surface, DO NOT USE ANY CHEMICALS, ABRASIVE OR CLEANING PRODUCTS on your table's playing surface.

### MAINTENANCE OF YOUR TABLE

Be sure to oil all moving parts of your table including the pivot points. This will insure the safety and ease of use of your table.

This table must be kept indoors to prevent damage to the playing surface. Dampness and extreme temperature changes which occur on patios or similar areas can cause wood to warp, swell, crack or blister.

### UNEVEL FLOORS

If table does not seem level, it is probably due to uneven or unlevel floors. Set the table in its PLAYING POSITION and move table several inches in different directions to find the best location for the table. If the floor is extremely unlevel, table may not play or operate properly. If table is high in the center, use leg levelers to level the table.



MESA DE TENIS  
NÚMERO DE MODELÓ  
**T8743**

## MANUAL DEL USUARIO

1. **Lea este manual cuidadosamente antes de empezar a ensamblar.** Lea completamente cada uno de los pasos antes de empezar cada paso.
2. **Algunas partes pequeñas pueden ser empacadas dentro de las partes grandes. Verifique en el interior de todas las partes y cartones antes de ensamblar o solicitar partes.**
3. **Para que el ensamblado le sea más fácil, utilice la lista de partes de la página 2 para la identificación y clasificación de las partes y sus componentes. Busque los juegos de tornillos en todos los cartones. Todos los tornillos y sus componentes no se encuentren en un sólo juego.**
4. **No ajuste las partes hasta que las instrucciones se lo indiquen.** Si las partes se ajustan antes de lo indicado, es posible que los orificios no queden alineados, resultando que las partes queden fuera de su lugar y fácilmente no coincidan. Deje las tuercas de seguridad levemente flojas hasta que las instrucciones le indiquen ajustarlas.
5. **Herramientas necesarias:** Desarmador Phillips, dos llaves de 9/16" y dos llaves de 7/16" (Puede utilizar una llave ajustable también), Mazo de Hule o Martillo.
6. **Guarde estas instrucciones y recibo de pago en el evento que el fabricante deba de ser contactado para partes de remplazo.**

### Por favor no devuelva este producto a la tienda!

Contacte al departamento de servicio al cliente de Escalade® Sports:

Teléfono: 1-800-467-1245      ¡Sin costo alguno!

Fax: 1-866-873-3533      ¡Sin costo alguno!

E-mail: [tabletennis@escaladesports.com](mailto:tabletennis@escaladesports.com)

Apartado postal (sólo para correspondencia):

Escalade Sports

PO Box 889

Evansville, IN 47706

Visite nuestra página Web internacional: [www.escaladesports.com](http://www.escaladesports.com)

RESOLUCIÓN DE PROBLEMAS POR INTERNET

ASISTENCIA TÉCNICA

PEDIDO DE PARTES POR INTERNET

PREGUNTAS FRECUENTES

MÁS INFORMACIÓN SOBRE PRODUCTOS DE ESCALADE® SPORTS

**ESCALADE®**  
SPORTS

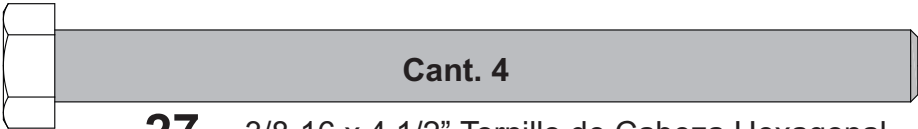
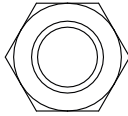
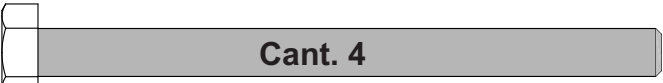

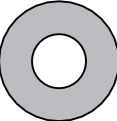

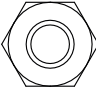
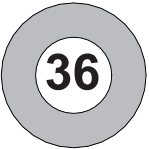

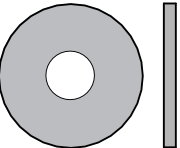


2L-5059-00

Los productos Escalade® Sports se pueden fabricar y/o producir bajo las siguientes patentes.  
6120397, 5816957, 5769744, 5119741, 4911085, 4717157, D460140, D420563, 8414431

Puede haber patentes en trámite. Una o más patentes mencionadas y/o en trámite pueden cubrir productos específicos.

©2015 Escalade®Sports

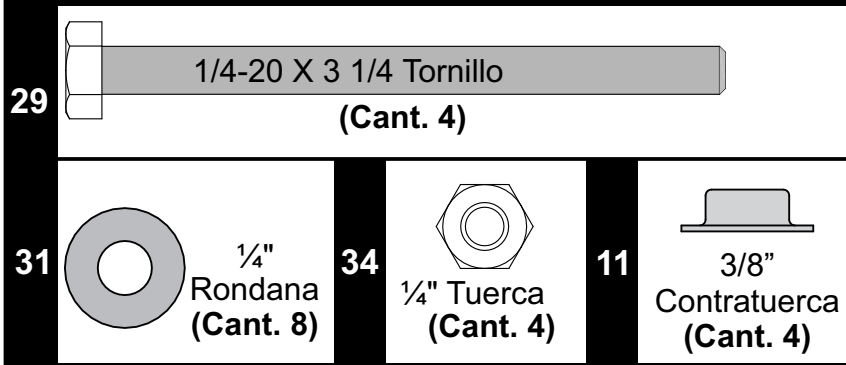
**NOTA:** Separando sus tuercas y tornillos antes de empezar reducirá el tiempo de instalación. Separe las partes ahora para que este listo antes de empezar la instalación.

<b>IDENTIFICADOR DE TUERCAS Y TORNILLOS</b>			
<b>27</b>	 Cant. 4	<b>28</b>	 Cant. 4
3/8-16 x 4 1/2" Tornillo de Cabeza Hexagonal		3/8-16 Tuerca de Seguridad	
<b>29</b>	 Cant. 4	<b>30</b>	 Cant. 4
1/4-20 X 3 1/4" Tornillo de Cabeza Hexagonal		1/4-20 X 1 1/2" Tornillo Phillips	
<b>31</b>	 1/4" Rondana Cant. 8	<b>5</b>	 #8 X 9/16" Tornillo SMS Cant. 4
1/4" Rondana Cant. 8		<b>34</b>	 Cant. 12 1/4" Tuerca de Seguridad
1/4" Tuerca de Seguridad Cant. 12		<b>35</b> Cant. 4 #8-32 X 1 1/4" Tornillo para lamina de metal	
<b>36</b>	 Cant. 4	<b>37</b>	 Separador de 1/2" Cant. 4
Separador de 3/4" Cant. 4		<b>38</b>	 1/4" Rondana de Plástico Cant. 4
1/4" Rondana de Plástico Cant. 4		<b>39</b> Cant. 8 3/8" Rondana de Plástico	
3/8" Rondana de Plástico Cant. 8		<b>32</b>	 Cant. 4
1/4-20 X 3 1/2" Tornillo de Cabeza Hexagonal Cant. 4		<b>11</b>	 Contratuercas - 3/8" Cant. 4
Contratuercas - 3/8" Cant. 4		<b>46</b> Cant. 4 M12 Tuerca	
M12 Tuerca Cant. 4			

**Nota:** Tuerca M12 esta preinstalada a los niveladores de las patas.



## NECESITA:



CONSEJOS DE  
INSTALACIÓN

En la parte superior de cada página encontrará un dibujo de las tuercas y tornillos necesarios (a escala) junto con la cantidad, número de clave y descripción. Puede colocar las partes sobre el dibujo para identificar y clasificarlas.

## PRECAUCIÓN:

LEA Y SIGA TODAS LAS INSTRUCCIONES DEL ENSAMBLADO, LAS OPERACIONES Y LAS INSTRUCCIONES DE SEGURIDAD. POR LO MENOS SE REQUIERE DE DOS (2) ADULTOS PARA ENSAMBLAR LA MESA!

1. Inserte las Llantas (#9 & 10) a los Carriles (#7). Inserte la Llanta **con** Seguro (#10) a través del Carril (#7) y asegurela con una Contratuerca (#11) como está mostrada en la **Figura 1**. Golpee la contratuerca ligeramente con un martillo para asegurarla. En el otro extremo de el Carril instale la Llanta **sin** Seguro (#9). Asegurese que ponga una llanta con Seguro y una llanta sin Seguro por cada Carril.

Repita este paso para instalar las llantas al segundo Carril.

2. Una la Tabla Inferior (#15) a el Carril con Llantas (#7) como se muestra en la **Figura 1**. Voltee los Carriles como están ilustrados y una la Tabla Inferior con los cuatro Tornillos (#29), ocho Rondanas (#31) y cuatro Tuercas de Seguridad (#34). Atornille tuercas asegurándose que estén apretadas y seguras.

**NOTA:** Asegúrese de que los logos están correctamente hacia arriba y de frente en el exterior de los carriles como se muestra.

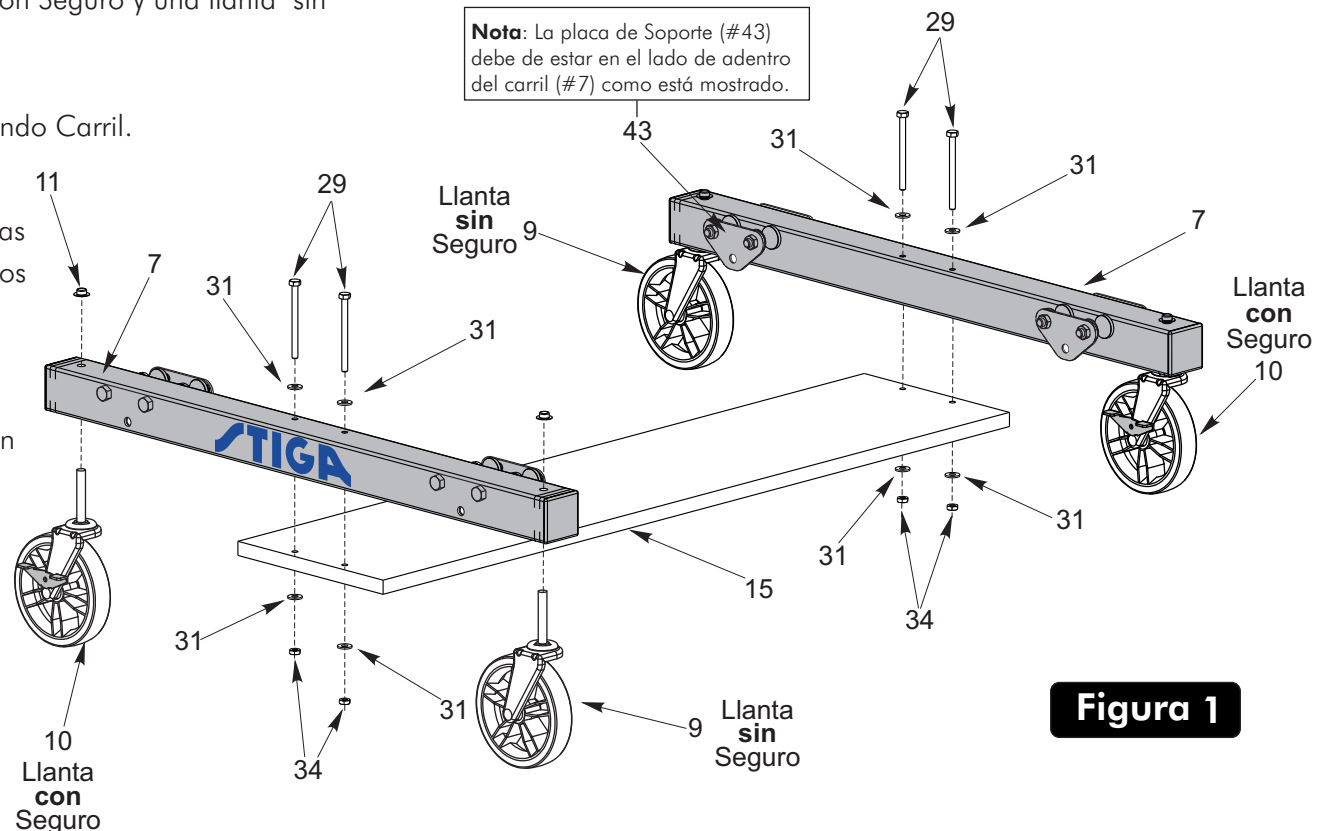
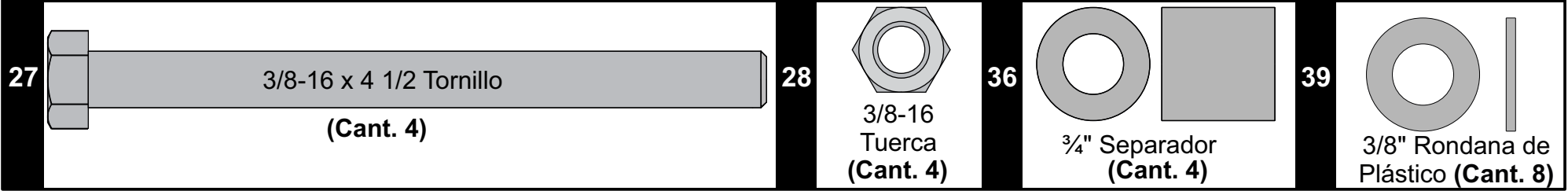


Figura 1

## NECESITA:

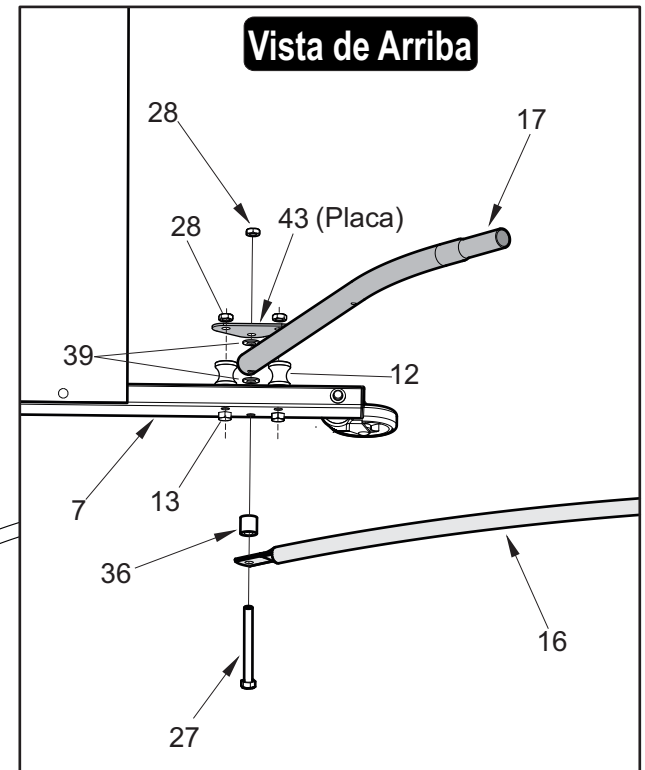
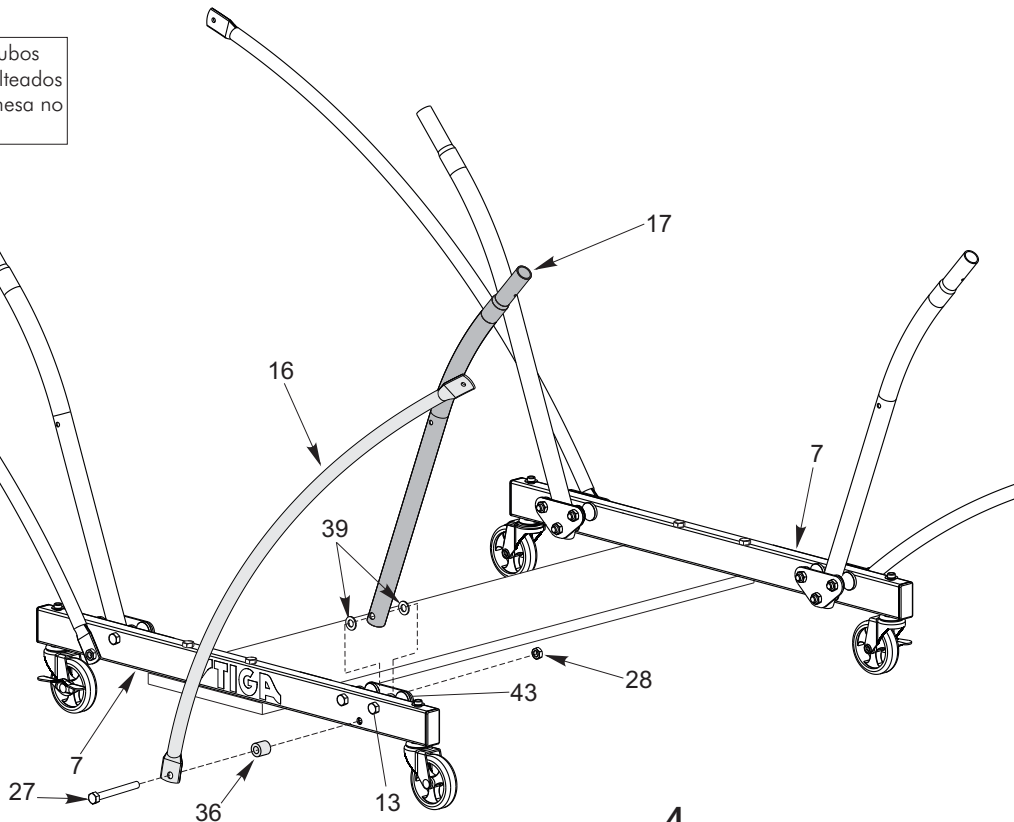


3. Una los Tubos Estructurales (#17) y los Tubos Conectores Blancos (#16) a los Carriles con Llantas (#7) como se muestra en la **Figura 2**.
- Afloje los Tornillos (#13) y Tuercas (#28) para que el Tubo Estructural (#17) quepa entre la Placa de Soporte Interior (#43) y Carril con Llantas (#7) como esta mostrado en la **Vista de arriba** y la **Figura 2**.
  - Inserte un Tornillo de Cabeza Hexagonal (#27) a través de un Tubo Conector (#16), un Separador (#36), el Carril con Llantas (#7), seguida por una Rondana de Plástico (#39), el Tubo Estructural (#17), otra Rondana de Plástico (#39), la Placa de Soporte Interior (#43), y la Tuerca de Seguridad (#28).
  - Repita en el otro lado del Carril (#7) y en el segundo Carril con Llantas.
  - Apriete las Tuercas (#28) en los Tornillos (#13) hasta que queden aseguradas.
  - Apriete las Tuercas (#28) en los Tornillos (#27) hasta que queden aseguradas.

**NOTA:** Apriete tuercas hasta que el extremo del tornillo (#27) quede al mismo nivel que el borde de la tuerca.

**Nota:** Tubos Conectores y Tubos Estructurales deben de estar volteados como esta mostrado, si no la mesa no operara correctamente.

**Figura 2**



4. Gire el tubo de soporte (#21) que se encuentra en la base del tablero, hasta que vea los orificios a tra vez de las abrazaderas (#22) donde van los tornillos. Si es necesario deslice el tubo de soporte (#21) de lado a lado y hacia atrás y adelante para ver los orificios. Ver la **Figura 3** y el **Detalle A**.

**NOTA:** Para facilitar la instalación se puede utilizar un taladro inalámbrico pero **NO sobre apriete el Tornillo.**  
**Use anteojos de seguridad.**

5. Inserte el tornillo (#35) por la ranura de la abrazadera (#22) y dentro del tubo de soporte (#21). Vea la **Figura 3** y el **Detalle A**. Atornillelo hasta que toque el fondo del tubo de soporte. El tornillo (#35) quedará afuera acerca de 3/8". Repita los pasos para el segundo tornillo (#35) y la abrazadera (#22).
6. Ponga la Tuerca (#46) en el Nivelador (#26) y atornillelo completamente adentro de la pata como se muestra en el **Detalle 1**.
7. Repita los pasos **4-6** para ensamblar la otra mitad de la mesa.

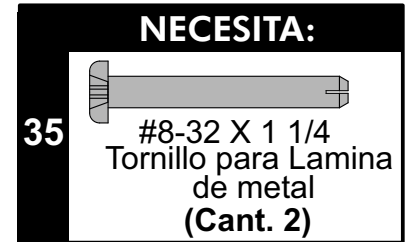
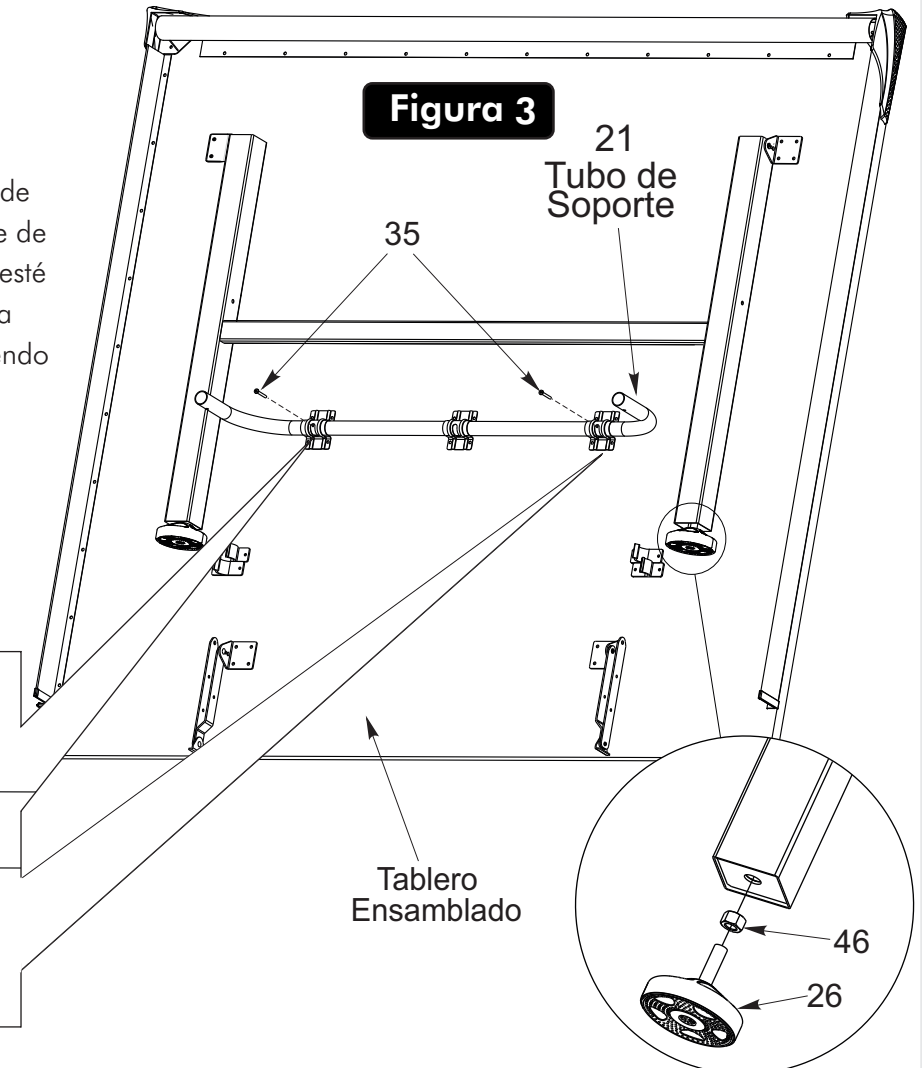
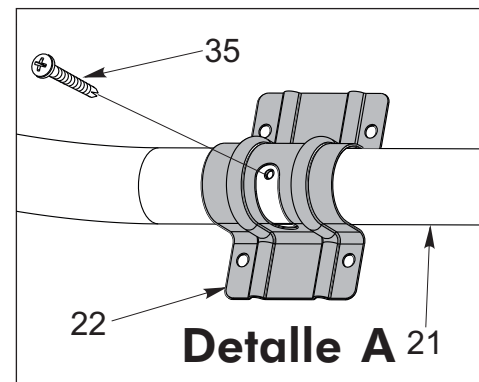
**NOTA:** Prepare una área para el ensamblado de la Segunda mitad de la mesa. Si es necesario mueva el primer tablero a un lado con la ayuda de otra persona. Asegúrese de ponerlo en una lugar donde no estorbe y no se dañe. Y si se coloca de lado, asegurese de poner el borde inferior a no menos de 12 pulgadas de distancia de la pared. También esté seguro de poner un pedazo de alfombra o la caja de la mesa abajo de los bordes de la mesa para protegerlos. Si el piso no esta alfombrado ponga un objeto pesado sosteniendo la mesa para que no se resbale.

Si desea ver un video de como insertar el Tornillo (#35) vaya a:  
<http://www.escaladesports.com/customer-service/instruction-videos>

O escanear con su teléfono inteligente



**Nota:** Si es necesario deslice el Soporte-U hacia delante y hacia atrás hasta que vea el orificio.



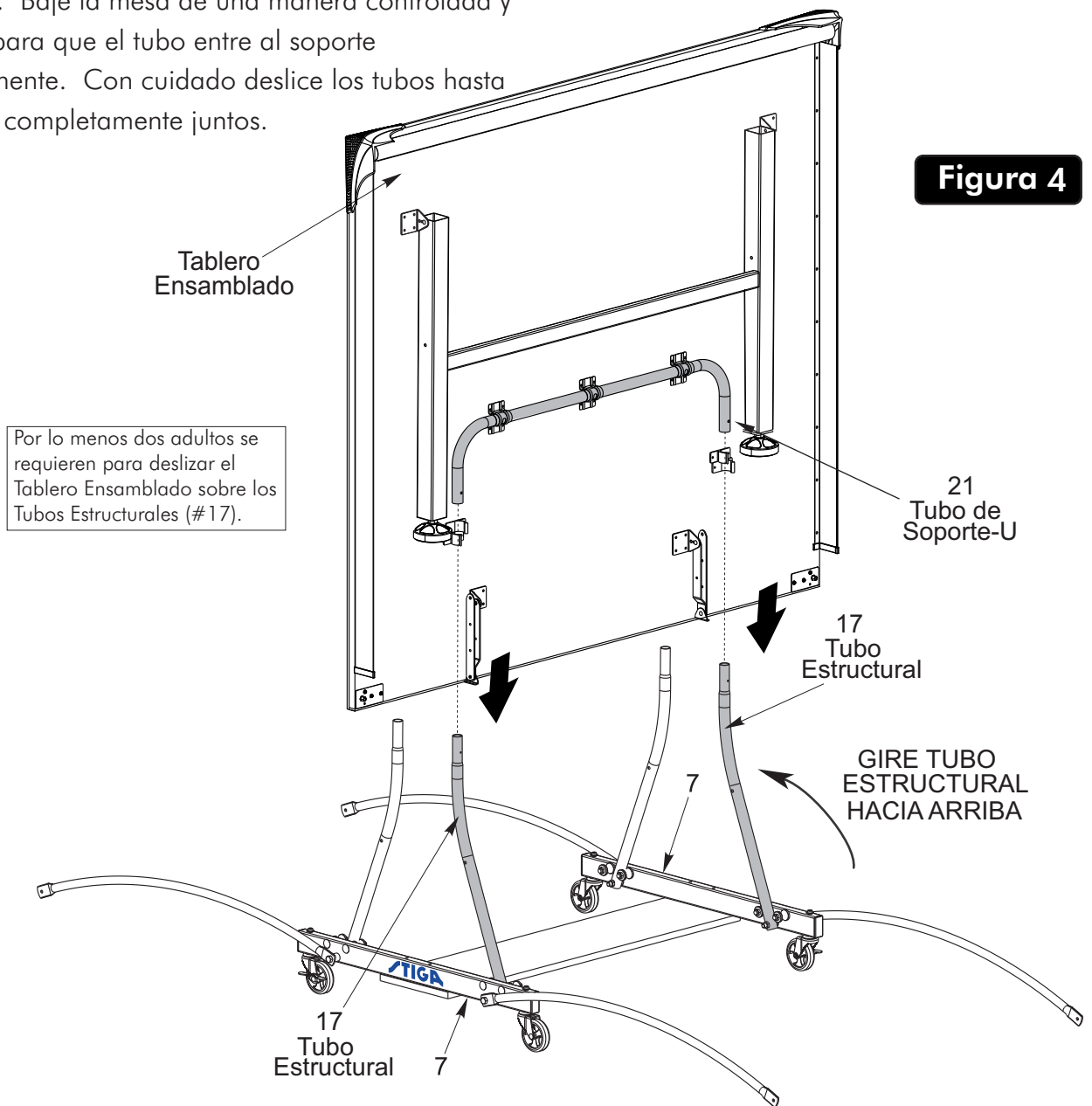
**ADVERTENCIA:**

NO ABRA LA MESA EN LA POSICIÓN DE JUEGO, HASTA QUE AMBAS MITADES DE LA MESA ESTÉN INSTALADAS! NO DEJE LA MESA LEVANTADA SOLA. PODRÍA CAERSE SOBRE ALGUIEN CAUSANDO HERIDAS SERIAS Ó DAÑO DE PROPIEDAD.

**ADVERTENCIA:**

POR LO MENOS SE REQUIEREN DOS (2) ADULTOS PARA TERMINAR EL RESTO DEL ENSAMBLADO! CUANDO ENSAMBLE LOS TABLEROS A LA BASE, MUEVA EL TABLERO SOSTENIENDOLO ÚNICAMENTE DE LA PARTE POSTERIOR, NO SE DETENGA DE LAS PATAS DE METAL, DEL TUBO DE SOPORTE-U, DE LOS TUBOS CONECTORES Ó DE LAS BISAGRAS. ESTAS PARTES PUEDEN MOVERSE Y PODRÍAN LASTIMAR LOS DEDOS O LAS MANOS, CAUSANDO LESIONES GRAVES. POR FAVOR ENSAMBLE LA MESA COMO SE MUESTRA, CON LAS PATAS COMPLETAMENTE CERRADAS Y EL TABLERO EN POSICIÓN VERTICAL. NO ABRA LAS PATAS Y TRATE DE ENSAMBLARLAS. LOS TABLEROS ESTÁN MUY PESADOS-NO INTENTE ENSAMBLAR (ARMAR) LA MESA SÓLO!

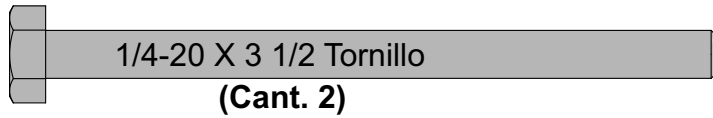
8. Una el Tablero Ensamblado a la base, como lo muestra en la **Figura 4**. Mueva los Tubos Estructurales (#17) hacia arriba como esta mostrado; después **con al menos un adulto en cada lado de la mesa**, levante y alinie los extremos del Tubo de Soporte(#21) e insertelos en el extreme superior de los Tubos Estructurales (#17) localizados en los Carriles con Llantas (#7) como están mostrados en la **Figura 4**. Baje la mesa de una manera controlada y nivelada para que el tubo entre al soporte uniformemente. Con cuidado deslice los tubos hasta que estén completamente juntos.



**Figura 4**

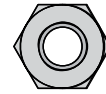
## NECESITA:

32



1/4-20 X 3 1/2 Tornillo  
(Cant. 2)

34



1/4-20 Tuerca  
(Cant. 2)

37



1/2" Separador  
(Cant. 2)

5



#8 X 9/16  
Tornillo  
(Cant. 2)

9. Atornille el Tubo del Soporte (#21) a los Tubos (#17) con los dos Tornillos (#5) como se muestra en **Figura 5**. Alinee los orificios de los tubos de Soporte-U con los Tubos Estructurales e inserte los Tornillos (#5) en los orificios de los Tubos (#17). Apriete los tornillos totalmente pero tenga cuidado de que no queden sobre apretados ya que podría barrer la cuerda de los tornillos si los sobre aprieta.

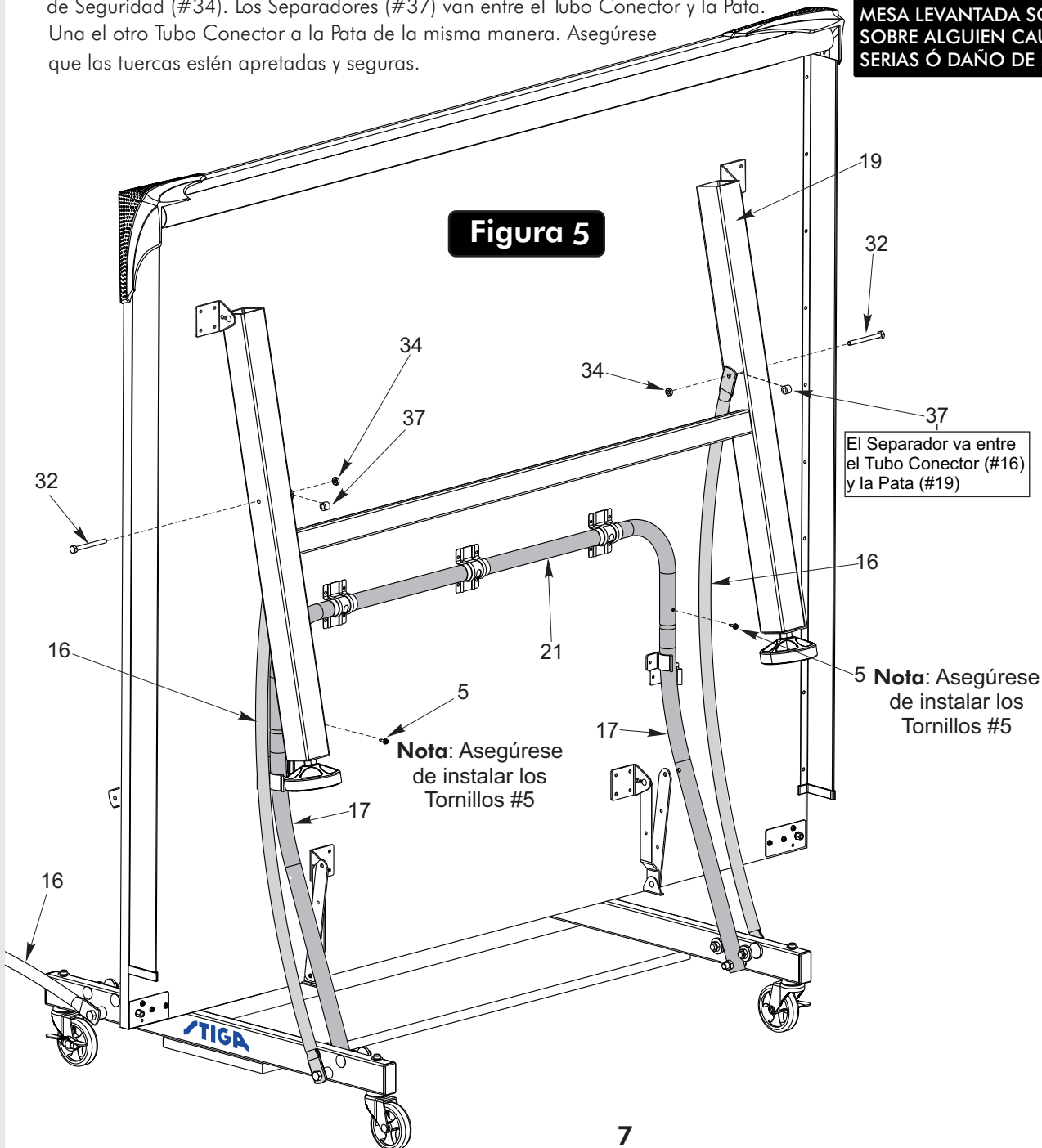
10. Una el Tubo Conector (#16) a la Pata (#19) como está mostrado en la **Figura 5**. Gire el Tubo Conector (#16) hacia arriba y jale la pata hacia **afuera** de la parte de arriba y alinee el orificio en el Tubo Conector con el orificio en la Pata (#19). Una el Tubo Conector (#16) a la Pata (#19) usando el Tornillo (#32), el Separador (#37) y la Tuerca de Seguridad (#34). Los Separadores (#37) van entre el Tubo Conector y la Pata. Una el otro Tubo Conector a la Pata de la misma manera. Asegúrese que las tuercas estén apretadas y seguras.



### ADVERTENCIA:

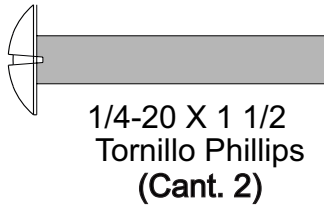
NO ABRA LA MESA EN LA POSICIÓN DE JUEGO, HASTA QUE AMBAS MITADES DE LA MESA ESTÉN INSTALADAS! NO DEJE LA MESA LEVANTADA SOLA. PODRÍA CAERSE SOBRE ALGUIEN CAUSANDO HERIDAS SERIAS Ó DAÑO DE PROPIEDAD.

**Figura 5**

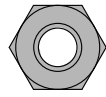


## NECESITA:

30



34



38



## ADVERTENCIA:

NO ABRA LA MESA EN LA POSICIÓN DE JUEGO, HASTA QUE AMBAS MITADES DE LA MESA ESTÉN INSTALADAS! NO DEJE LA MESA LEVANTADA SOLA. PODRÍA CAERSE SOBRE ALGUIEN CAUSANDO HERIDAS SERIAS O DAÑO DE PROPIEDAD.

**NOTA:** Debido a los requisitos de envío, la bisagra (#18) puede venir colocada como se muestra en **Detalle B**, usted tendrá que girar la bisagra a la posición que se muestra en **Detalle C**. **NO** desatornille la bisagra, usted puede girar la bisagra sin desatornillarla de la mesa.



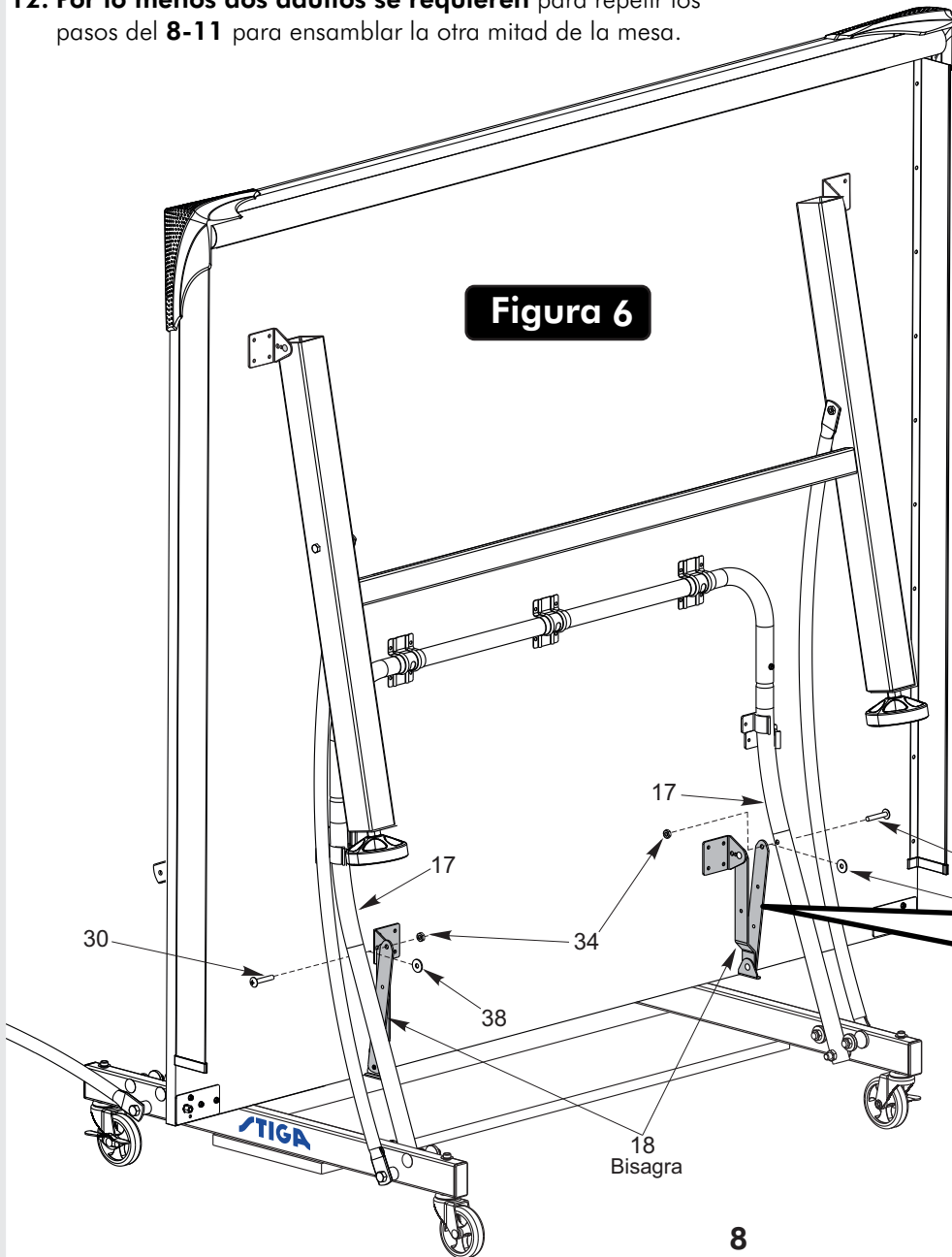
O escanear con su teléfono inteligente

11. Una las Bisagras (#18) a los Tubos (#17) como está mostrado en la **Figura 6** y **Detalle C**. Coloque la bisagra en la misma posición como está mostrada; alinee el orificio de la bisagra con el orificio del Tubo y unalo con el Tornillo de 1/4" (#30), la Rondana de Plástico (#38) y la Tuerca de Seguridad (#34). La Rondana de Plástico (#38) va entre el Tubo y la Bisagra. Asegurese que la tuerca esté apretada y segura. Repita el mismo procedimiento para la otra bisagra. **ADVERTENCIA: Las bisagras deben ir exactamente en la misma posición como están mostradas ó la mesa no operará correctamente y puede ser dañada.**

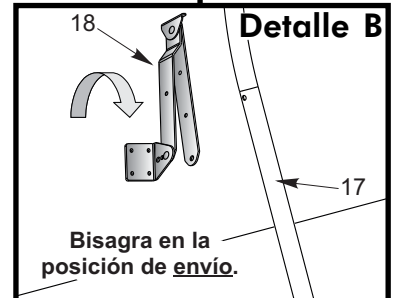
Si desea ver un video de como insertar el Tornillo (#35) vaya a:  
<http://www.escaladesports.com/customer-service/instruction-videos>

12. Por lo menos dos adultos se requieren para repetir los pasos del 8-11 para ensamblar la otra mitad de la mesa.

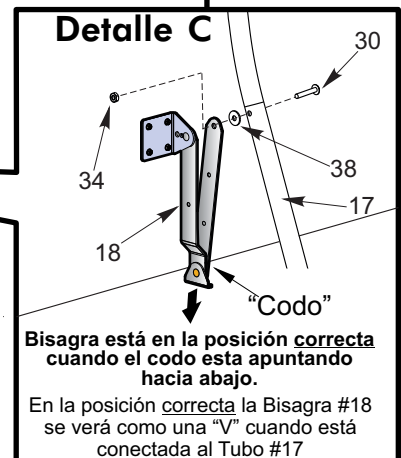
**Figura 6**



**PRECAUCIÓN:** Si la bisagra está colocada como está mostrada en el **Detalle B**, gire la bisagra como está mostrada en el **Detalle C**. No la desatornille de la mesa.

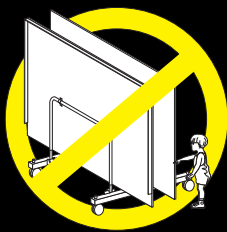


**PRECAUCIÓN:** Las Bisagras deben de ser colocadas como están mostradas en el **Detalle C** ó la mesa no trabajará correctamente y puede ser dañada.





# INSTRUCCIONES PARA ABRIR Y CERRAR



## ADVERTENCIA!

PONGA ATENCIÓN AL ABRIR Y AL CERRAR LA MESA. MENORES DE EDAD QUE NO SABEN EL USO APROPIADO DE LAS INSTRUCCIONES NO SE LES DEBE PERMITIR ABRIR Y CERRAR LA MESA. EL MANEJO O USO INCORRECTO DE LA MESA PUEDE CAUSAR LESIONES GRAVES O DAÑOS MATERIALES. NO DEBEN DE PARARSE, SUBIRSE O BRINCAR SOBRE LA MESA. LA HUMEDAD Y LA CONDENSACIÓN DAÑARÍAN LA SUPERFICIE DE LA MESA. LA MESA DEBE ESTAR EN EL INTERIOR Y EN UN LUGAR SECO.

### PARA ABRIR:

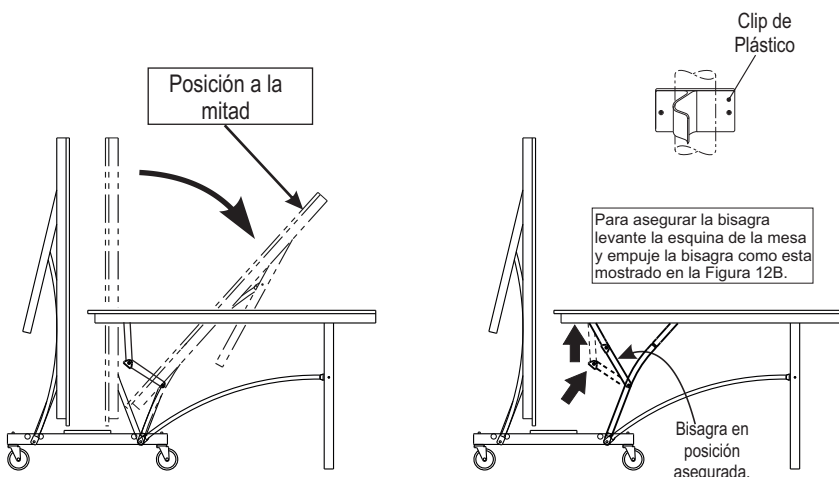
1. Sostenga la orilla de arriba. Suavemente jale hacia afuera hasta la posición media. Continúe jalando hasta que se desenganche de el clip de plástico y las patas se apoyen sobre el piso. No dejar la mesa parcialmente abierta en la posición media. Ver Figura 7A y 7B.
2. Baje el segundo tablero como se describe en el paso 1.
3. Asegure las cuatro bisagras. Ver Figura 8.
4. Asegure los postes al centro de la mesa y la red como se muestra en la próxima pagina (10).

NOTA: La red debe estar tensa. Estirar bien. Esto asegurará la tensión correcta.

Precaución: Para evitar daños en el sistema de red y / o superficie de la mesa, la red debe girar hacia el lado de la mesa antes de levantar los tableros de la mesa a la posición de almacenamiento. Afloje la perilla y el poste de pivote de la red hacia el lado de la mesa lo mas posible. Volver a apretar la perilla.

### PARA CERRAR:

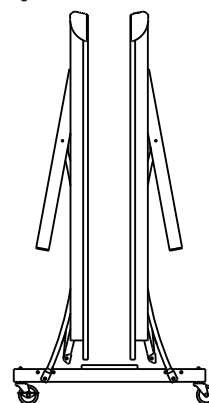
1. Retire la red y los postes de la mesa.
2. Desenganche las cuatro bisagras.
3. Levantar una mitad del tablero al punto medio hasta que se enganchen los clips de plástico. Continúe levantando hasta cerrar.
4. Levante la otra mitad del tablero de la misma manera. Ver Figura 9.



**Figura 7A**

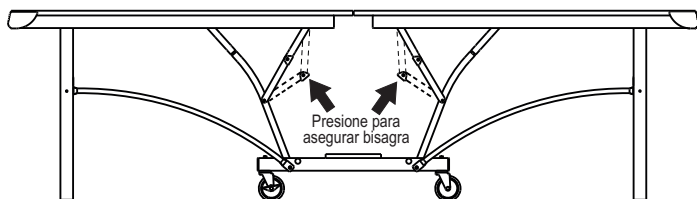
POSICION PARA JUGAR SOLO

**Figura 7B**



**Figura 9**

POSICION PARA GUARDAR

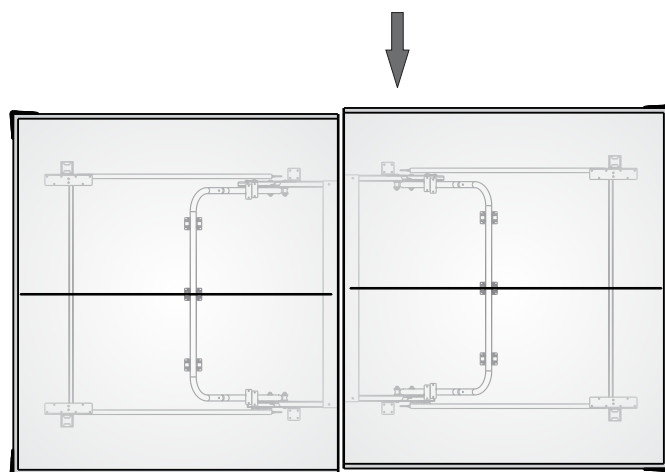


**Figura 8**

POSICION DE JUEGO

### SI LA MESA NO ESTA ALINEADA CORRECTAMENTE: (ver Figura 10)

1. Ponga la mesa en posición para de juego y asegure las bisagras como se muestra en la Figura 8.
2. Afloje las tuercas de seguridad (#34) adjuntas a los Tornillos (#29) con el fin de crear suficiente espacio para alinear las dos mitades de la mesa. Ver Figura 1 (Pagina 3).
3. Con la ayuda de otros dos adultos, empuje las dos mitades de la mesa hasta que estén alineadas las dos mitades y volver a apretar las tuercas de seguridad (#34) como se muestra en la Figura 10.



**Figura 10**

VISTA DE ARRIBA



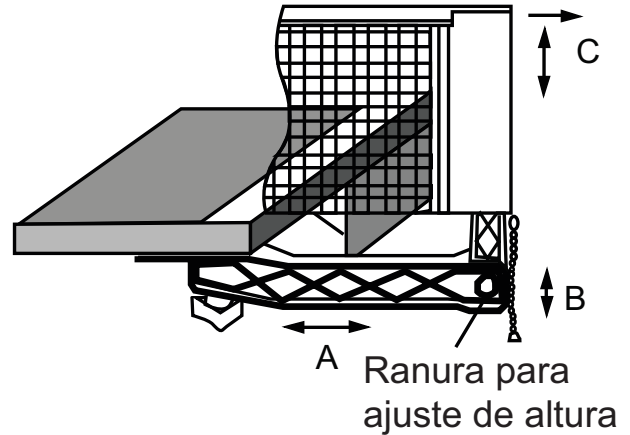
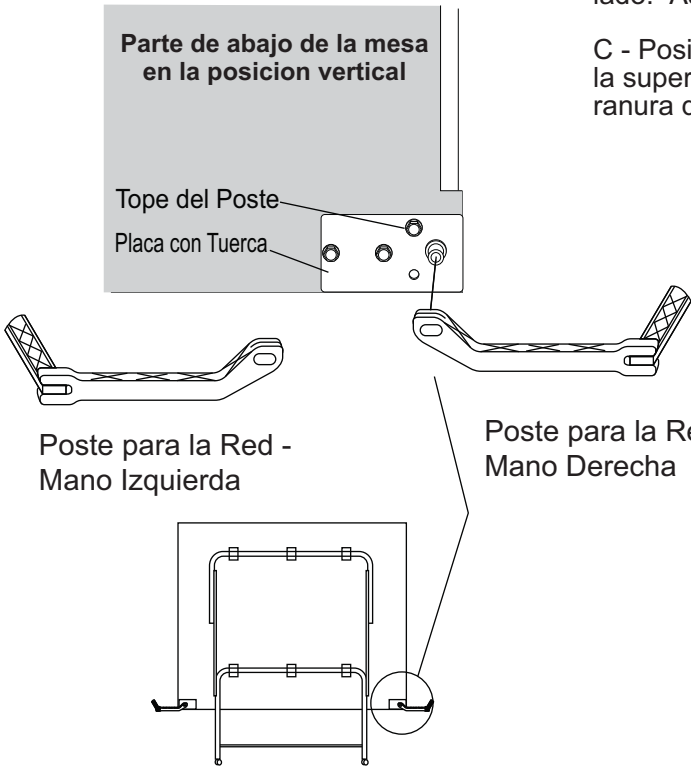
# DESCRIPCION DEL SISTEMA DE RED

## 2. Ajustes

A - Ajuste la tensión general de la red aflojando levemente la manija y moviendo el soporte. Ajuste suavemente la manija. El soporte deberá estar en escuadra con la mesa cuando haya llegado al tope. (Ver Descripción del sistema de red)

B - Ajuste la tensión de la cuerda con la cadena de cuentas a cada lado. Asegúrese de que la cadena esté ajustada en el gancho.

C - Posicione la parte superior de la red a una altura de 6" (15,2 cm) de la superficie de juego asegurando firmemente el poste vertical en la ranura de ajuste de altura.

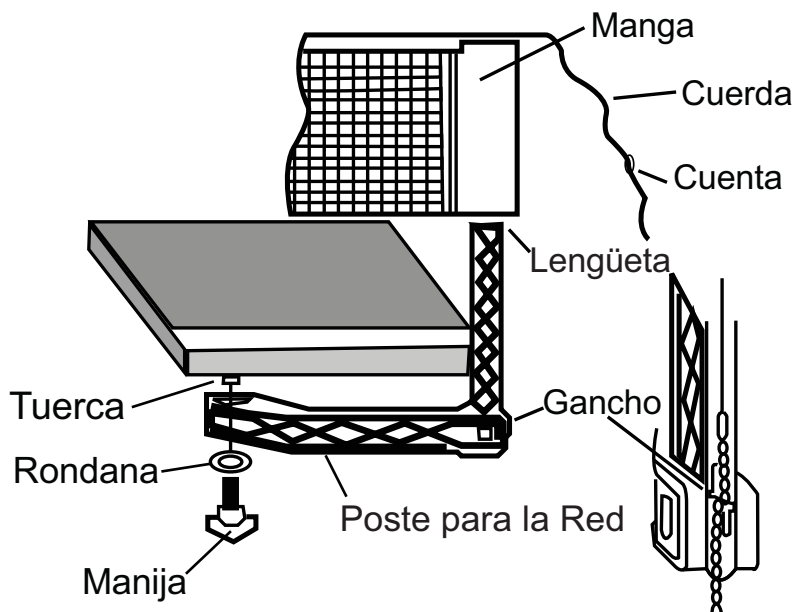


## 1. Ensamblado de la Red y Postes

Coloque los soportes de la red con la rondana y manija como se muestra. Nota: Hay un soporte de la red izquierdo y uno derecho (Ver descripción del sistema de red). El soporte debe apoyar perfectamente sobre la placa con tuerca. Deslice el borde de la red sobre el poste vertical mientras el soporte está plegado hacia el lado del tablero. Luego despliegue el soporte hacia afuera hasta el tope del soporte y asegure la cadena con la cuenta en el gancho.

## 3. Almacenaje

Precaución: Para evitar daños en el sistema de red y / o superficie de la mesa, el ensamblado de red y postes debe ser girado hacia el lado de la mesa antes de levantar las mitades (tableros) de la mesa a la posición de almacenamiento. Afloje la manija y mueva hacia el lado de la mesa lo mas posible. Vuelva a apretar manija.

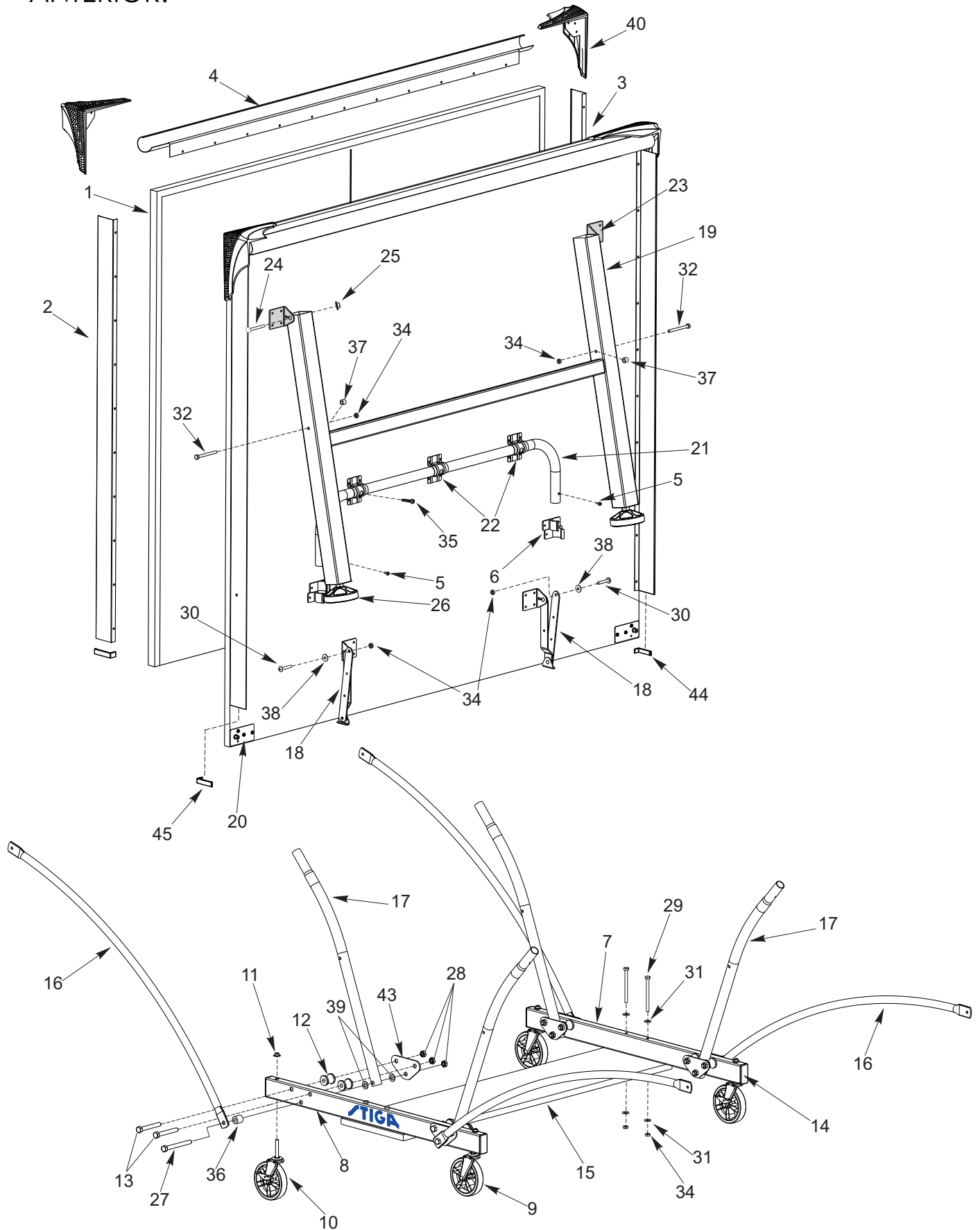


## Lista de partes para el modelo T8743

Núm de Ref.	Núm de Parte	Descripción	Cant.
1	4A-5493-00	TABLERO AZUL - 1"	2
2	2S-6869-31	RIEL MANO DERECHA - 2 1/2"	2
3	2S-6869-32	RIEL MANO IZQUIERDA - 2 1/2"	2
4	2S-5136-04	RIEL DEL EXTREMO/RECIPENTE DE PELOTAS -59"	2
5	1B-4082-99	TORNILLO PARA LAMINA DE METAL -#8 X 9/16"	144
6	3M-6273-00	CLIP DE PLÁSTICO	8
7	4A-7610-03	CARRIL DE LLANTAS (ENSAMBLADO)	2
8	8S-6857-05	CARRIL DE LLANTAS (SOLAMENTE)	2
9	2Q-4025-02	LLANTA DE 5" - SIN SEGURO	2
10	2Q-4026-02	LLANTA DE 5" - CON SEGURO	2
11	2B-4043-02	CONTRATUERCA - 3/8"	4
12	3M-6884-00	CARRETE	8
13	1B-6939-02	TORNILLO DE CABEZA HEXAGONAL - 3/8-16 X 3 3/4	8
14	3M-6248-00	TAPÓN - 2" X 2"	4
15	2W-6268-02	TABLA INFERIOR	1
16	8S-6853-04	TUBO CONECTOR - NEGRO	4
17	8S-6856-08	TUBO ESTRUCTURAL	4
18	4A-5423-04	BISAGRA (CON SOPORTE DE MONTAJE)	4
19	1A-4111-02	PATA ASEMBLADA	2
20	1A-6285-00	PLACA CON TUERCA	2
21	8S-6855-03	TUBO DE SOPORTE-U	2
22	2S-6879-10	ABRAZADERA-U - 1"	6
23	2S-4597-08	SOPORTE DE ESCUADRA	4
24	3B-6026-01	REMACHE - 1/4 X 2 7/8"	4
25	2B-4035-02	CONTRATUERCA -1/4"	4
26	2Q-6467-00	NIVELADOR	4
27	1B-6910-02	TORNILLO DE CABEZA HEXAGONAL - 3/8-16 x 4 1/2"	4
28	2B-4053-02	TUERCA DE SEGURIDAD - 3/8-16	12
29	1B-6477-02	TORNILLO DE CABEZA HEXAGONAL - 1/4-20 x 3 1/4"	4
30	1B-4097-02	TORNILLO PHILLIPS -1/4-20 x 1 1/2"	4
31	2N-0109-02	RONDANA - 1/4"	4
32	1B-6940-02	TORNILLO DE CABEZA HEXAGONAL - 1/4-20 x 3 1/2"	4
33	NO USADO		
34	2B-4047-02	TUERCA DE SEGURIDAD - 1/4-20	12
35	1B-4089-02	TORNILLO PARA LAMINA DE METAL #8-32 x 1 1/4	4
36	7B-4061-00	SEPARADOR - 3/4"	4
37	7B-4062-00	SEPARADOR - 1/2"	4
38	2B-6087-02	RONDANA DE PLÁSTICO - 1/4"	4
39	2B-4054-00	RONDANA DE PLÁSTICO - 3/8"	8
40	3M-4161-00	PROTECTOR DE ESQUINAS	4
41	5A-4243-00	RED Y POSTES	1
42	2L-5059-00	MANUAL DEL USUARIO	1
43	2S-6875-04	PLACA DE SOPORTE	4
44	3M-4150-00	TAPA DE RIEL DE MANO DERECHA	2
45	3M-4151-00	TAPA DE RIEL DE MANO IZQUIERDA	2
46	2B-6284-02	TUERCA M12	4

\*IDENTIFICADOR DE PARTES EN LA SIGUIENTE PAGINA.

\*LISTA DE PARTES  
EN LA PAGINA  
ANTERIOR.



## GARANTÍA LIMITADA POR UN AÑO

Esta garantía es aplicable para consumidores de la compra original de cualquier producto ESCALADE® SPORTS (en adelante denominado el "Producto").

**DURACIÓN DE LA GARANTÍA:** Se garantiza este Producto al comprador original por un período de un (1) año a partir de la fecha de compra.

**COBERTURA DE LA GARANTÍA:** ESCALADE SPORTS le garantiza al comprador original que cualquier producto de su fabricación está libre de defectos en los materiales y fabricación cuando se lo utiliza para el propósito establecido, bajo condiciones normales de uso. ESTA GARANTÍA NO TIENE VALIDEZ SI EL PRODUCTO SE HA DETERIORADO POR ACCIDENTE, USO INDEBIDO, NEGLIGENCIA, MANTENIMIENTO INCORRECTO, NO SEGUIR LAS INSTRUCCIONES QUE VIENEN CON EL PRODUCTO U OTRAS CAUSAS NO RELACIONADAS CON DEFECTOS EN LOS MATERIALES O FABRICACIÓN.

**APLICACIÓN DE LA GARANTÍA:** Durante el período de garantía de un (1) año, ESCALADE SPORTS reparará o reemplazará con otro similar, todo modelo o Producto o componente que resulte defectuoso bajo condiciones normales de uso y cuidado, cuando nuestra inspección demuestre que a nuestra satisfacción el mismo realmente es defectuoso; sírvase contactar a nuestro Departamento de Garantía.

1-800-467-1245 / Departamento de Garantía (Warranty Dept.)

○ escribanos a:

Escalade® Sports, Inc. - P.O. Box 889, Evansville, IN 47706 - Attn: Warranty Dept.

○ por correo electrónico a:

tabletennis@escaladesports.com

Fuera de los gastos de envío, no se impondrá cargo alguno por la reparación o reemplazo de los productos en garantía. ESCALADE® SPORTS recomienda asegurar los Productos por su valor antes del envío.

**LIMITACIÓN DE LA GARANTÍA:** TODA GARANTÍA ORIGINADA EN ESTA VENTA, INCLUYENDO EN FORMA NO TAXATIVA, LAS GARANTÍAS IMPLÍCITAS DE COMERCIALIZACIÓN Y APTITUD PARA UN FIN ESPECÍFICO, TENDRÁ VIGENCIA POR UN PLAZO DE UN (1) AÑO. ESCALADE® SPORTS NO SERÁ RESPONSABLE POR LA IMPOSIBILIDAD DE UTILIZAR EL PRODUCTO U OTROS COSTOS INCIDENTALES O RELACIONADOS, PERJUICIOS O PERDIDAS GENERADAS POR EL CONSUMIDOR ANTE CUALQUIER OTRO USO.

Algunos estados no permiten la exclusión o limitación de las garantías implícitas o daños incidentales o conexos, de modo que las limitaciones que anteceden pueden no ser aplicables en su caso.

**RECURSOS LEGALES:** Esta garantía le otorga algunos derechos específicos además de otros derechos que varían según el estado.

## CUIDADO Y MANTENIMIENTO

Usted ha comprado un producto de calidad que podrá disfrutar muchos años. Si sigue estos simples pasos de mantenimiento, alargará la vida de la mesa.

### TABLERO

El tablero (superficie de juego) está construido de aglomerado. Al igual que todos los productos de madera, se puede ver afectado por cambios de temperatura y humedad causando una leve deformación por expansión o contracción. Esta situación es normal y no resta valor a la mesa ni afecta el juego. Después de armada, guardar plegada en lugar seco cuando no está en uso para minimizar los efectos de cambios de temperatura y humedad.

### GUARDADO DE LA MESA

Se debe guardar la mesa en el interior para prevenir daños en la superficie de juego. La humedad y los cambios bruscos de temperatura pueden provocar alabeo, hinchazón, fisuras o ampollado de la madera. Cuando la mesa no se encuentra en uso, guardar plegada en lugar seco. Debido a la naturaleza del aglomerado, se puede alabeo la superficie. La humedad puede aumentar este efecto que es normal y no afecta el uso de la mesa.

### LIMPIEZA

Para limpiar la mesa, utilizar un trapo suave y húmedo solamente (NO MOJADO). Para evitar daños en la superficie de juego, NO UTILIZAR AGENTES QUÍMICOS, ABRASIVOS NI PRODUCTOS DE LIMPIEZA sobre el tablero.

### MANTENIMIENTO

Lubricar todas las partes móviles, incluyendo los puntos de giro. Esto garantizará la seguridad y facilidad de uso.

Guardar en lugar cerrado para impedir daños en la superficie de juego. La humedad y los cambios bruscos de temperatura que se producen en patios o áreas similares pueden provocar el alabeo, hinchazón, fisuras o ampollado de la madera.

### PISOS DESNIVELADOS

Si la mesa no parece estar nivelada, probablemente se deba a pisos desparejos o desnivelados. Colocar la mesa en POSICIÓN DE JUEGO y moverla algunas pulgadas en distintas direcciones hasta encontrar una mejor ubicación. Si el piso está extremadamente desnivelado, no se puede utilizar la mesa adecuadamente. Si el tablero está más alto en el medio, usar los niveladores en las patas exteriores.