

Installation and Care Guide

DTV II Conversion to DTV+

Français, page "Français-1"
Español, página "Español-1"

THE BOLD LOOK
OF **KOHLER**®

1256292-2-B

IMPORTANT INSTRUCTIONS



WARNING: When using electrical products, basic precautions should always be followed, including the following:



WARNING: Risk of electric shock. Disconnect power before servicing.



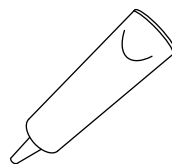
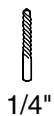
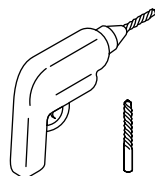
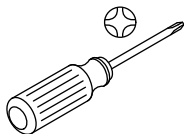
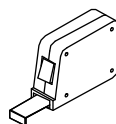
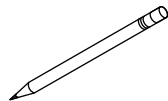
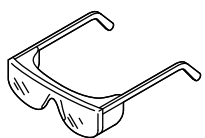
WARNING: Risk of injury or property damage. Please read all instructions thoroughly before beginning installation.

NOTICE: Follow all plumbing, electrical, and building codes.

Before Operating the System For the First Time:

Download and install the latest software. This may take an hour or more to complete based on system configuration and internet connection speed. **Do not disconnect the power from the controller during software download and installation.**

Tools and Materials



Silicone Sealant

Before You Begin

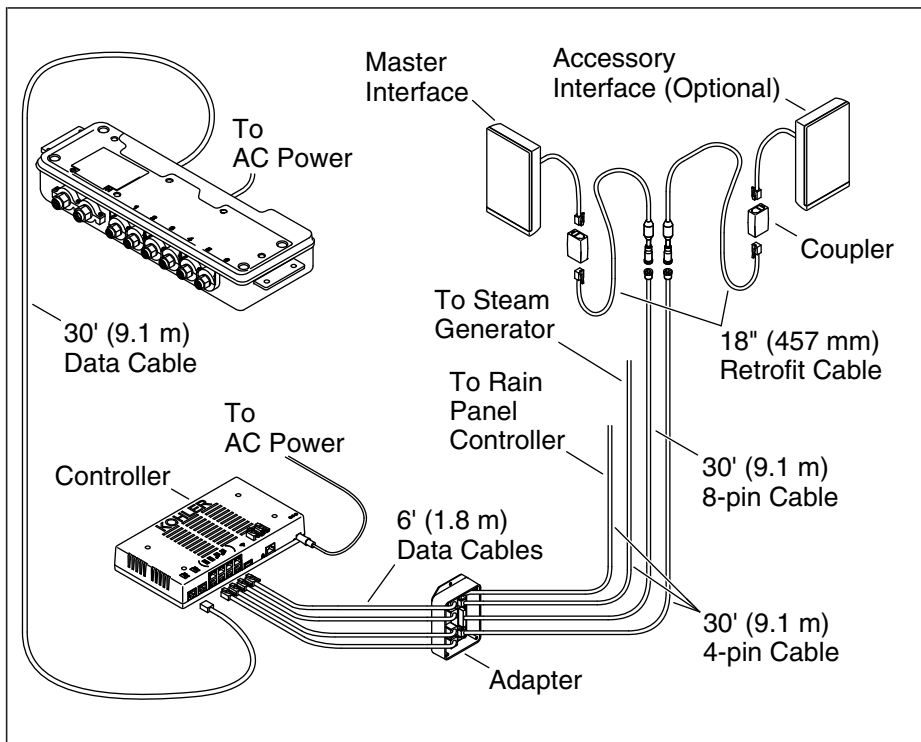
CAUTION: Risk of product damage: Disconnect the power from all components before beginning this installation.

NOTICE: An existing DTV II system should already be in place to complete this installation.

NOTICE: The K-99695 system controller and the K-99693 digital interface are required to complete this installation.

Before You Begin (cont.)

- Observe all local plumbing, building, and electrical codes.
- Read these instructions and determine all required components along with their installation locations before beginning this installation.



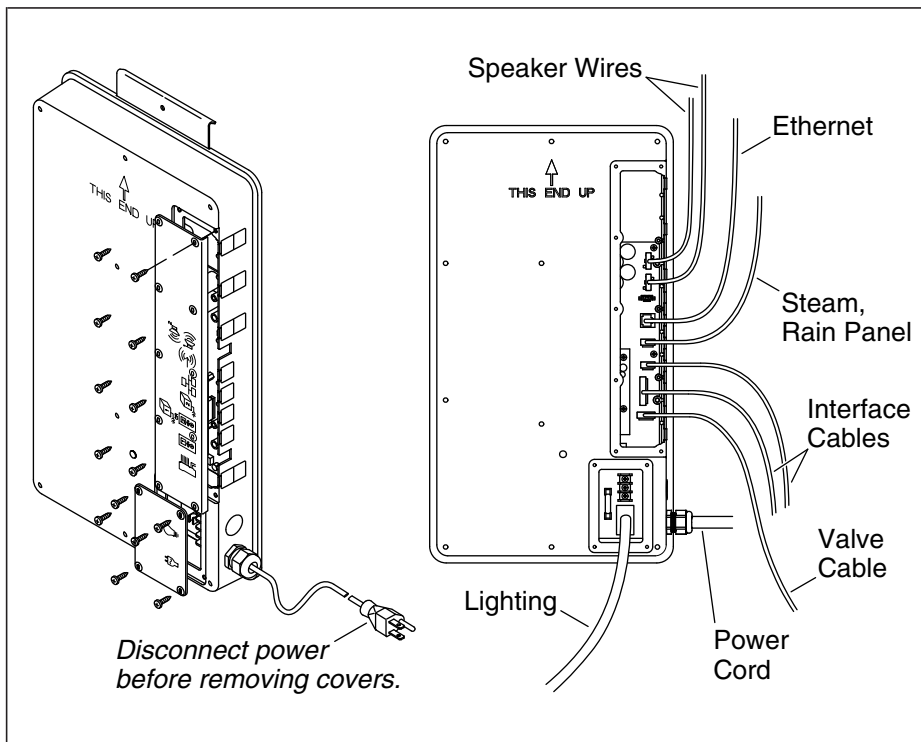
1. Plan the System

NOTE: The controller powers the interface(s) and controls the digital valve(s) and other system components.

NOTE: The data cable connecting the adapter to the controller is 6' (1.8 m) long. The adapter installation location must be within 5' (1.5 m) of the controller.

- Refer to the installation guides packed with each product for specific installation needs.

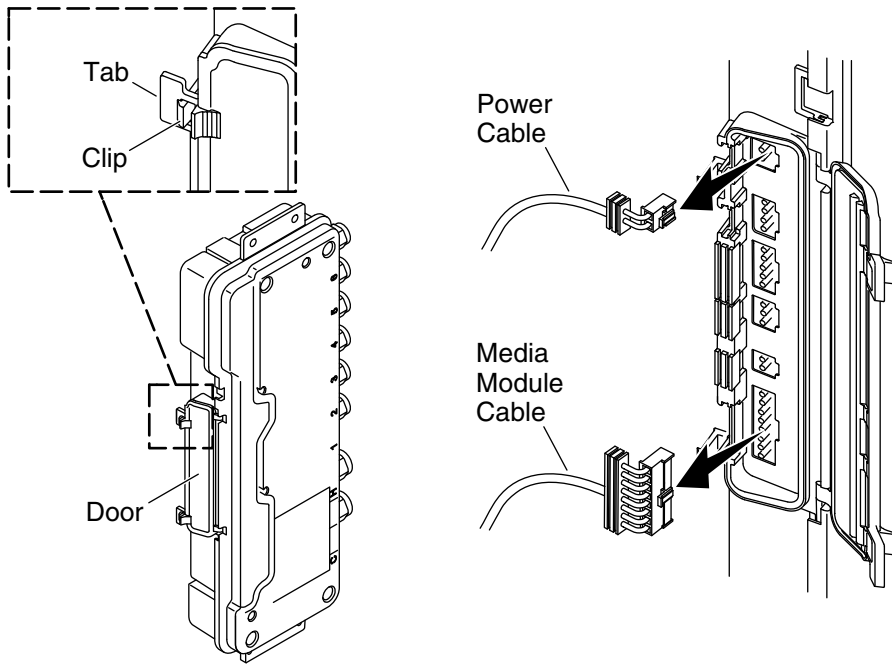
Retrofit Cable Length	18" (457 mm)
Data Cable Length	6' (1.8 m)
Valve Cable Length	30' (9.1 m)



2. Disconnect the Cables from the Module

IMPORTANT! Disconnect the power from the media module before removing the access covers.

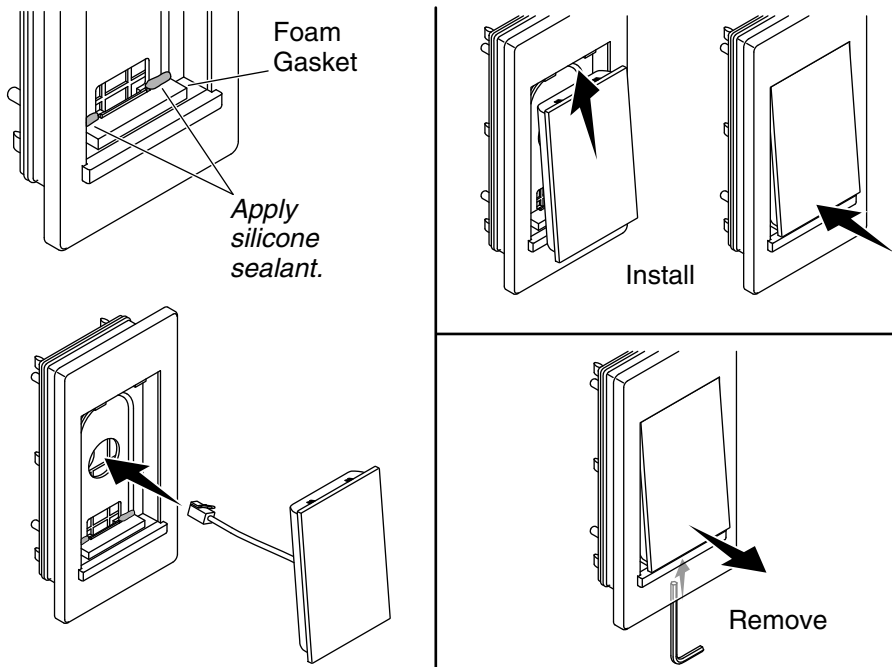
- Remove the tall access cover on the media module.
- Disconnect the valve cable and discard.
- Disconnect the remaining cables.
- Disconnect any speaker wires from the media module, then reconnect them to the K-99696 amplifier. Refer to the instructions packed with the amplifier.
- If incandescent lighting is installed to the media module, remove the small access cover, disconnect the hardwired lighting cable, then reconnect to a light switch.
- Remove the media module.



3. Disconnect the Cables from the Valve

IMPORTANT! Disconnect the power from the valve before disconnecting the cables.

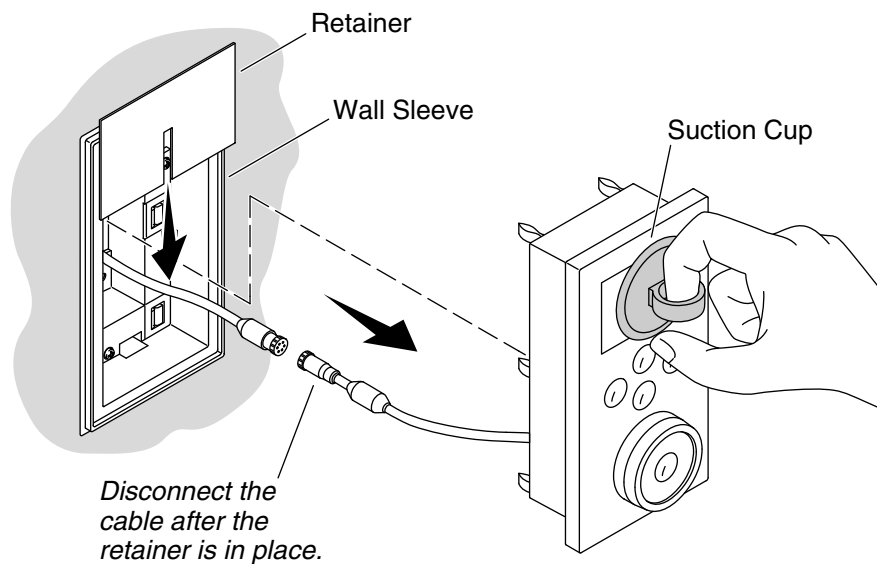
- Press the clips to release and open the door on the valve.
- To remove the door, slide the hinge side of the door in either direction until it slips free.
- Disconnect the power cable and media module cable from the valve.



4. Install the DTV+ Interface to the Housing

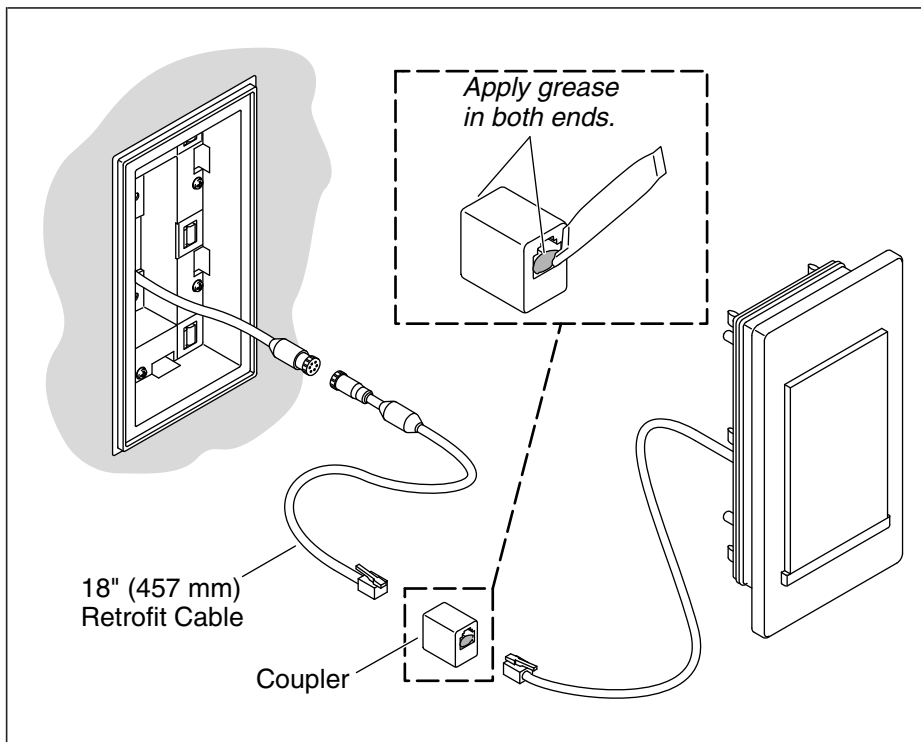
NOTE: The K-99693 digital interface is required to complete this installation.

- Apply silicone sealant to the inside edges of the foam gasket near the bottom of the housing.
- Feed the interface cable through the hole in the housing.
- Tilt the top of the interface onto the tabs in the housing.
- Press the bottom of the interface until it clicks in place.
- If the interface needs to be removed from the housing, insert a 3/32" hex wrench to unlatch the bottom, then tilt out.



5. Remove the Existing Interface

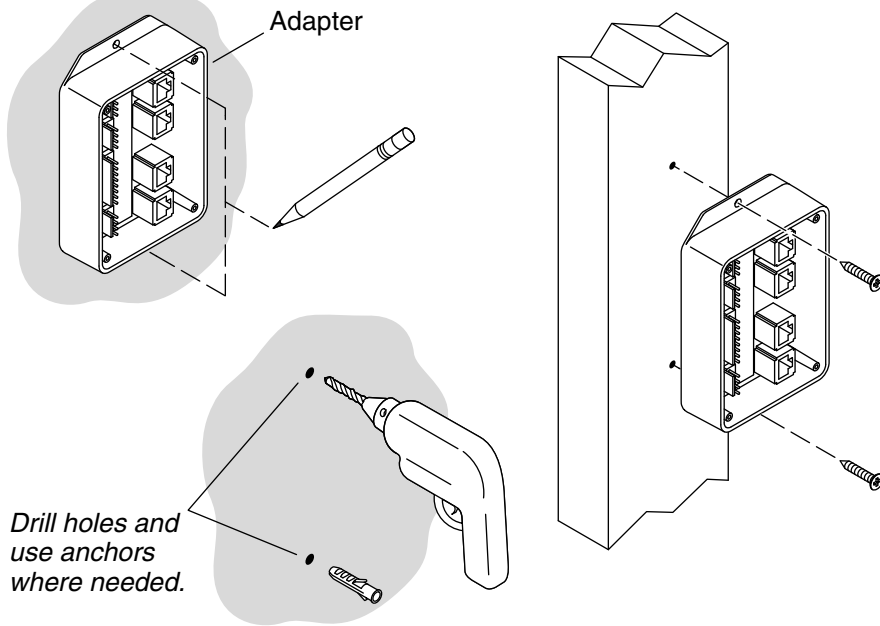
- Attach the suction cup (provided) to the screen of the existing interface.
- Using the suction cup, remove the interface from the wall sleeve.
- Carefully pull the cable through the hole in the wall sleeve and out of the wall cavity.
- Slide the cardboard retainer (provided with the DTV+ interface) over the cable to prevent it from falling back through the hole in the wall sleeve.
- With the retainer in place, disconnect the interface cable from the cable coming from the wall.



6. Install the Housing Assembly

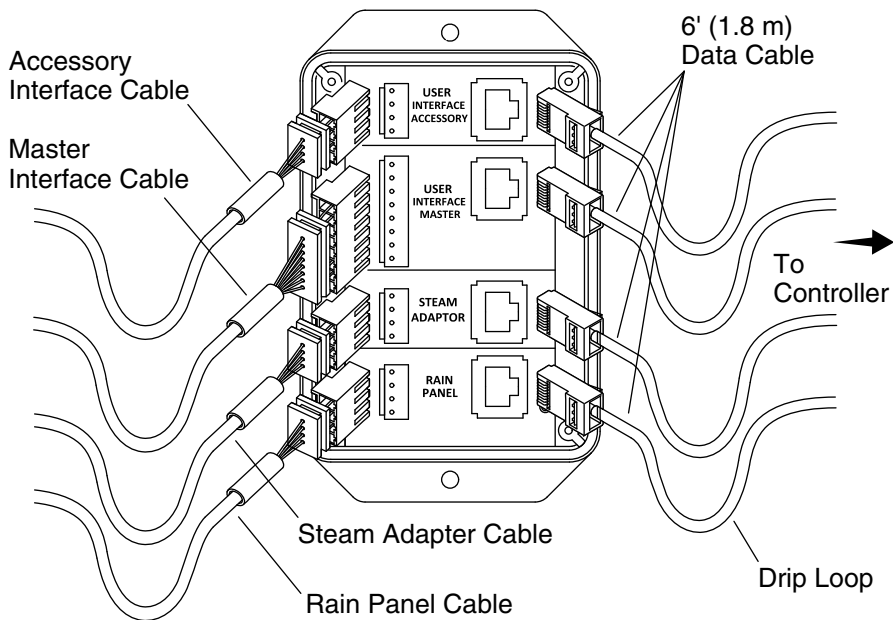
CAUTION: Risk of product damage: Before proceeding, verify that **both ends** of the original cable coming from the wall are disconnected from any components.

- Apply grease (provided with the DTV+ interface) into both ends of the coupler.
- Connect the 18" (457 mm) retrofit cable and the interface cable to the coupler. Make sure the cables fully click into the coupler.
- Connect the other end of the retrofit cable to the cable from the wall. Align the white arrows on the connectors and make sure they fully engage.
- Carefully feed the cables and coupler into the hole in the wall.
- Firmly press the housing assembly into the wall sleeve until it snaps in place.
- Repeat the steps above for any accessory interfaces.



7. Install the Adapter

- Install the K-99695 system controller according to the instructions packed with the product.
- Install the adapter within 5' (1.5 m) of the system controller.
- Position the adapter against a wall or 2x4 stud.
- Mark the holes.
- Use anchors if the marks are not at a stud location. Drill two 1/4" holes and install the anchors.
- Secure the adapter with two screws.

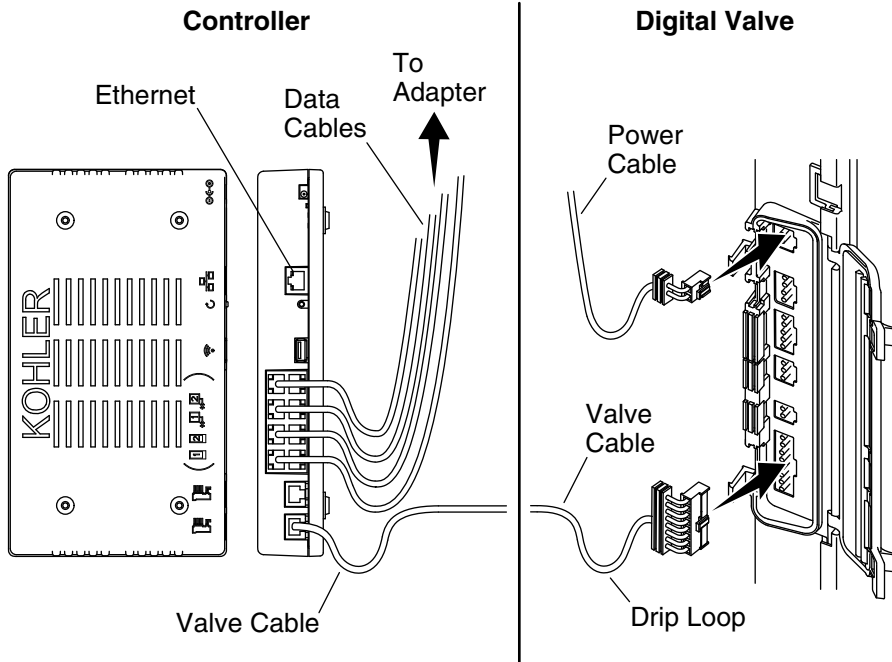


8. Connect the Components

IMPORTANT! Make drip loops in all cables.

IMPORTANT! Make sure all cables fully click into the sockets.

- Connect the interface cable(s) to the appropriate master (8-pin) or accessory (4-pin) interface connector on the adapter.
- If your system includes a steam generator and/or rain panel, connect those cables to the appropriate 4-pin connector on the adapter.
- Connect the 6' (1.8 m) data cable(s) to the adapter.



9. Complete the Installation

IMPORTANT! Make drip loops in all cables.

IMPORTANT! Make sure all cables fully click into the sockets.

- Connect the data cable(s) from the adapter into the eight-port section of the controller.
- Connect the 30' (9.14 m) valve cable into a valve port on the controller.
- Connect the 8-pin end of the valve cable to the valve.
- Reconnect the power cable to the valve.
- Verify all grommets are in place, then reinstall the door to the valve.
- To close the door, press on the tabs until the clips snap in place.
- Turn on the power to the valve and connect the power to the controller.
- The interface is powered by the controller. The interface should illuminate when power is connected to the controller.