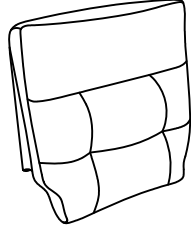


ASSEMBLY INSTRUCTIONS

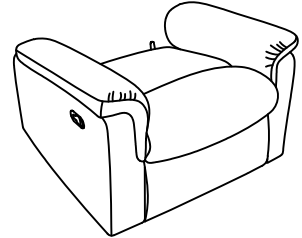
MANUAL RECLINER

A Back Rest

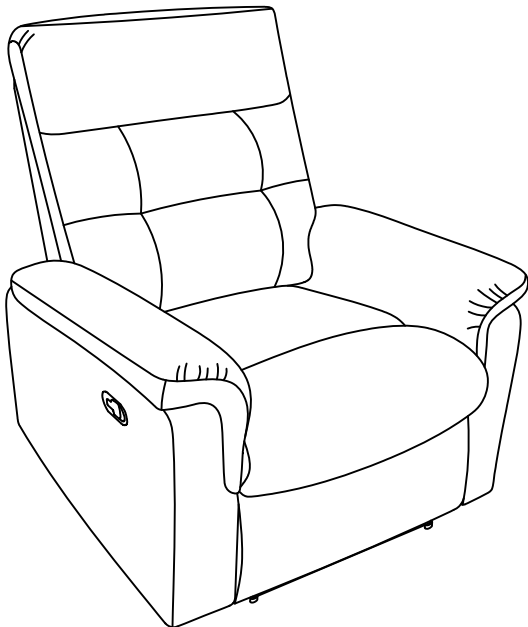


1PC

B Seat

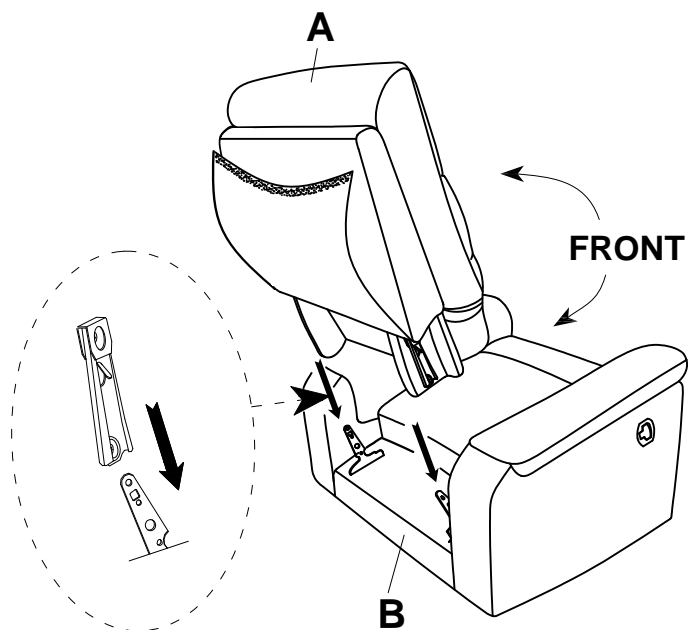


1PC

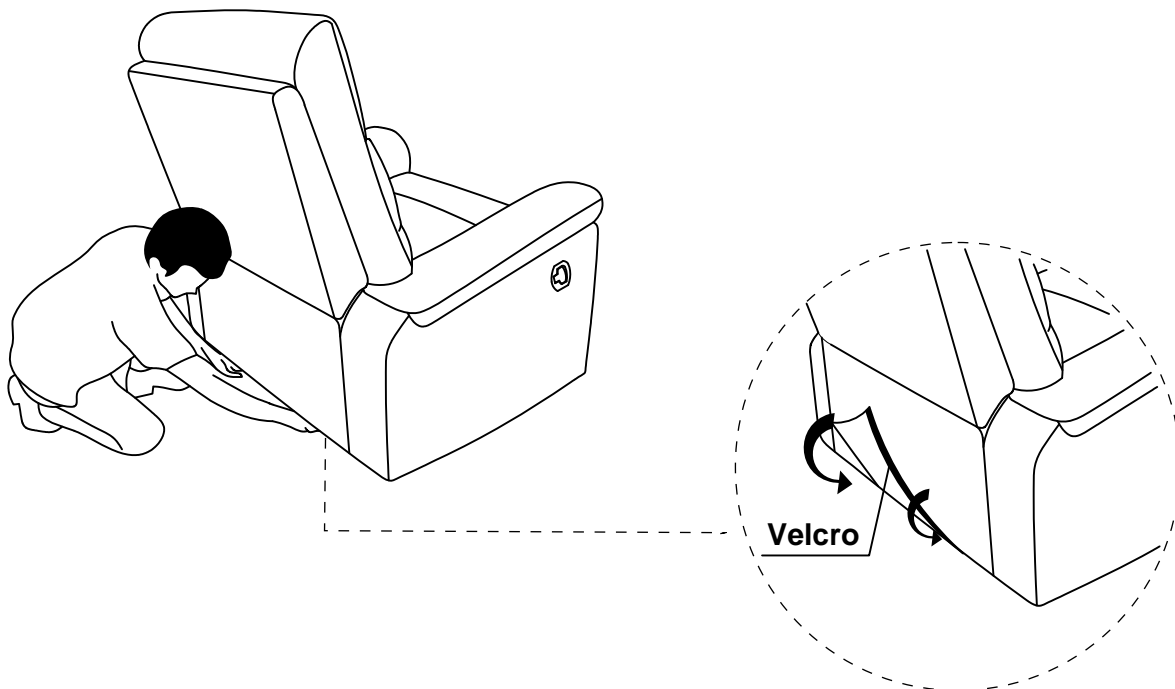


This page lists all the contents included in the box. Please take the time to identify the hardware as well as the individual components to this product. As you unpack and prepare for assembly, place the contents on a carpeted or padded area to protect them from damage.

- 1 Align the socket brackets on the Back Rest (A) with the plug brackets on the Seat (B), insert them fully, and ensure the brackets are securely locked in place.



- 2 Use Velcro to attach the back cover to the bottom of the seat frame.



Cleaning & Care

Treat surfaces with care. Surfaces are resistant to scratches but are not scratch resistant. Clean surfaces with a dry or damp soft cloth. Do not use abrasive cleaners. Hardware may loosen over time. Periodically check that all connections are tight.