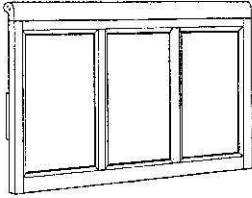


# ASSEMBLY INSTRUCTION

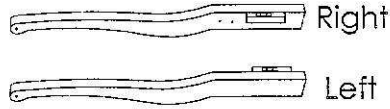
## QUEEN SLEIGH BED - HEADBOARD KING SLEIGH BED - HEADBOARD

**A** Headboard Panel



1 pc

**B** Headboard Leg with marking Left & Right



2 pcs

**C** Bottom Rail Support



1 pc

**D** JCBC Bolt  
M6 X 40mm



8 pcs

**E** JCBC Bolt  
M6 X 50mm



2 pcs

**F** Flat Washer  
M8 x 16mm



8 pcs

**G** Spring Washer  
5/16"



10 pcs

**H** Wooden Button



2 pcs

**I** Allen Key  
M4

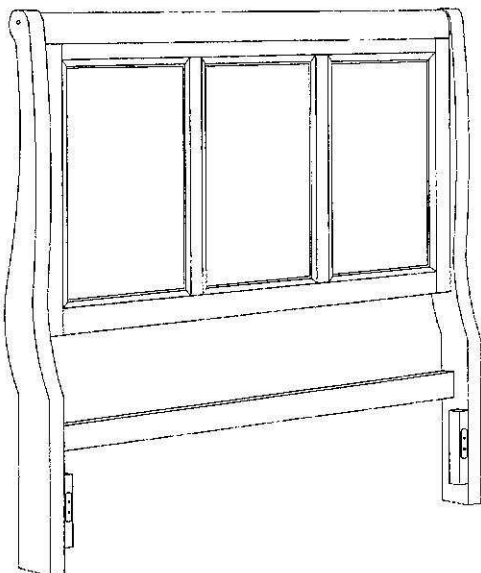


1 pc

**J** Wooden Dowel  
Ø10 X 30mm



4 pcs

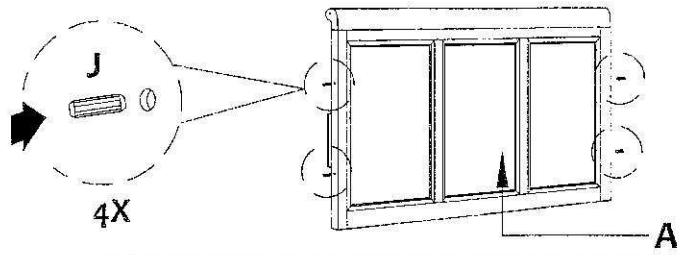


This page lists all the contents included in the box. Please take the time to identify the hardware as well as the individual components to this product. As you unpack and prepare for assembly, place the contents on a carpeted or padded area to protect them from damage.

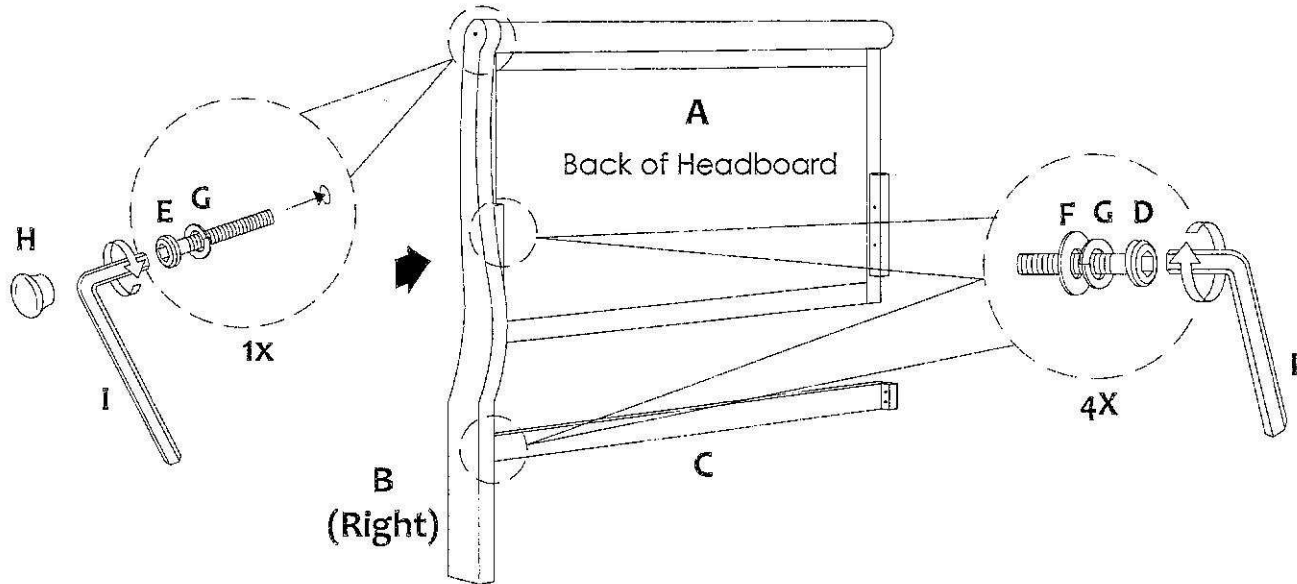
### **IMPORTANT NOTE:**

1. Do not tighten all screws / bolts until all completely assemble.
2. Keep all hardware parts out of reach of children.

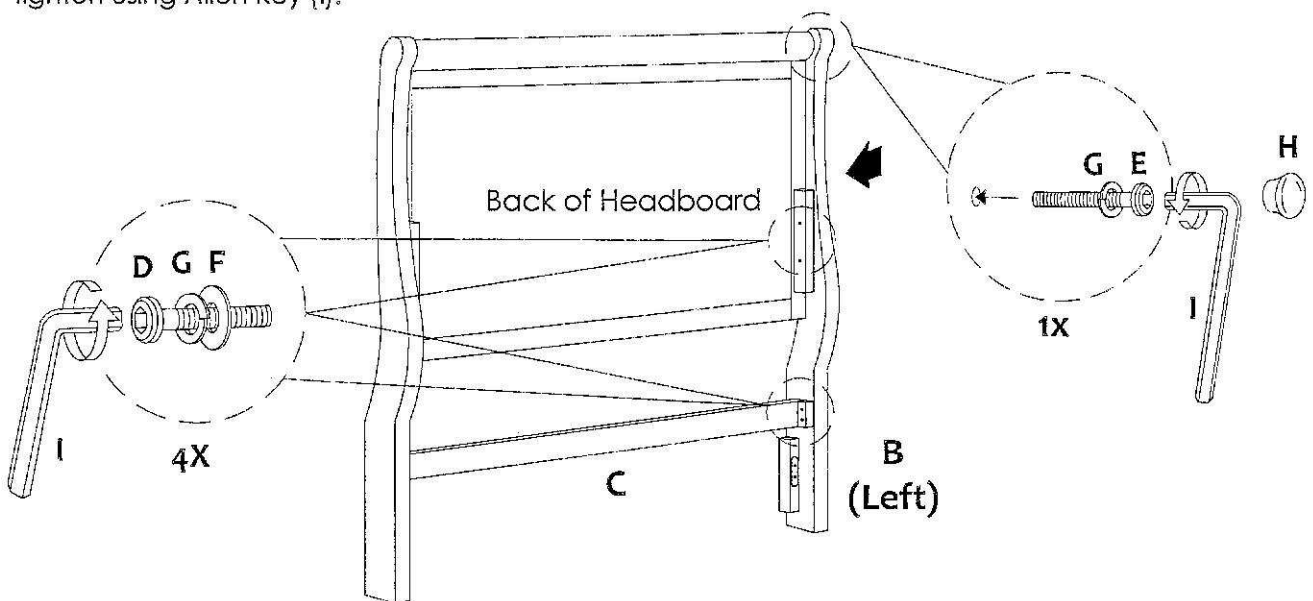
**1** Insert Wooden Dowel (J) to the left & right holes at the Headboard Panel (A).



**2** Attached Headboard Leg (B) to the Headboard Panel (A). Insert JCBC Bolt (E) and Spring Washer (G) to the holes and tighten using Allen Key (I). Cover the holes with Wooden Button (H). Attached Bottom Rail Support (C) to Headboard Leg (B). Insert JCBC Bolt (D), Spring Washer (G) and Flat Washer (F) to the holes and tighten using Allen Key (I).



**3** Repeat the same step on STEP 2 to the other Headboard Leg (B). Insert JCBC Bolt (D), Spring Washer (G) and Flat Washer (F) to the holes at the back of Headboard and tighten using Allen Key (I).

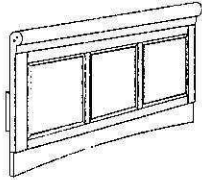
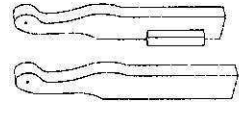


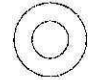
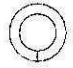





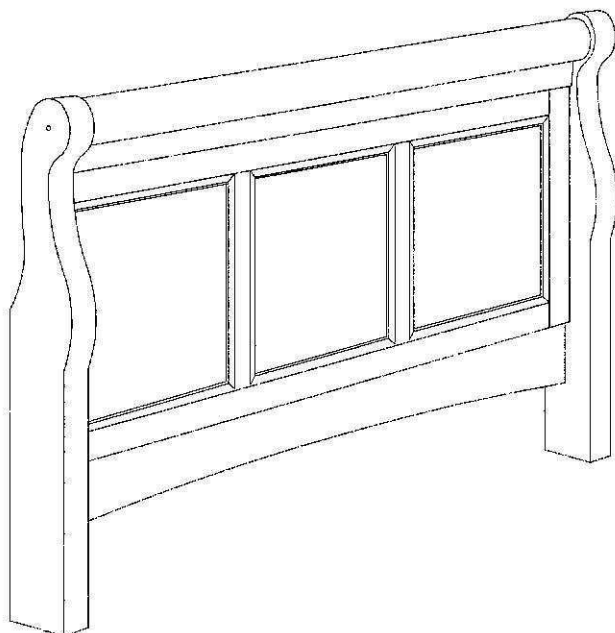
#### **CLEANING & CARE**

Treat surface with care. Surface is resistant to scratches but is not scratches resistant. Clean surface with a dry or damp soft cloth. Do not use abrasive cleaners. Hardware may loosen over time. Periodically check that all connections are tight.

# ASSEMBLY INSTRUCTION

## QUEEN SLEIGH BED FOOTBOARD KING SLEIGH BED FOOTBOARD

<b>A</b> Footboard Panel  1 pc	<b>B</b> Footboard Leg with marking Left & Right  2 pcs	<b>C</b> JCBC Bolt M6 X 50mm  2 pcs
<b>D</b> JCBC Bolt M6 X 60mm  4 pcs	<b>E</b> Flat Washer M8 x 16mm  4 pcs	<b>F</b> Spring Washer 5/16"  6 pcs
<b>G</b> Wooden Button  2 pcs	<b>H</b> Allen Key M4  1 pc	<b>I</b> Wooden Dowel Ø10 X 30mm  4 pcs

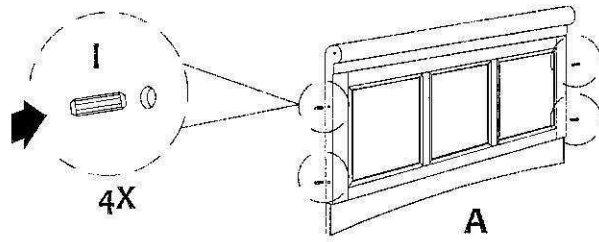


This page lists all the contents included in the box. Please take the time to identify the hardware as well as the individual components to this product. As you unpack and prepare for assembly, place the contents on a carpeted or padded area to protect them from damage.

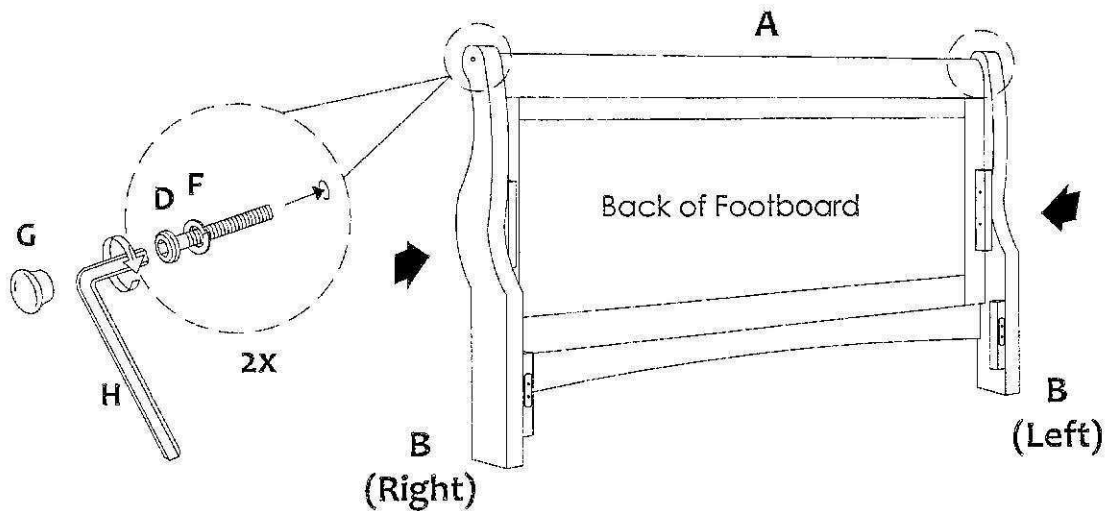
### IMPORTANT NOTE :

1. Do not tighten all screws / bolts until all completely assemble.
2. Keep all hardware parts out of reach of children.

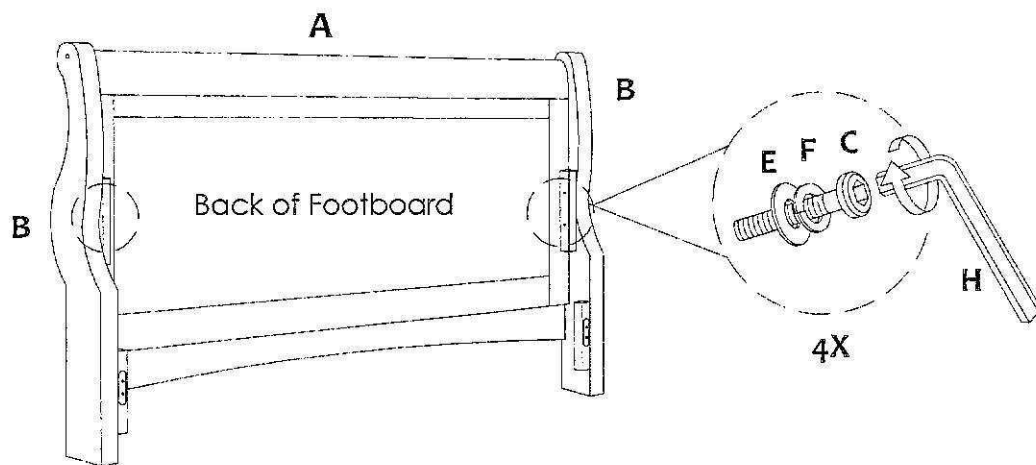
**1** Insert Wooden Dowel (I) to the left & right holes at the Footboard Panel (A).



**2** Attached Footboard Leg (B) to the Footboard Panel (A). Insert JCBC Bolt (D) and Spring Washer (F) to the holes and tighten using Allen Key (H). Cover the holes with Wooden Button (G). Repeat the same process to the other Footboard Leg (B).



**3** Insert JCBC Bolt (C), Spring Washer (F) and Flat Washer (E) to the holes at the back of Footboard and tighten using Allen Key (H).

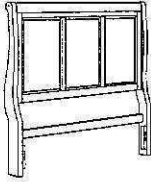
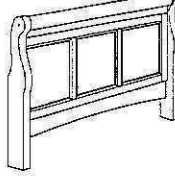
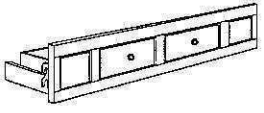
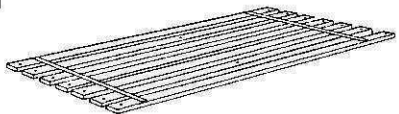


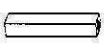


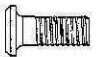
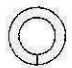
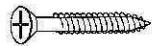




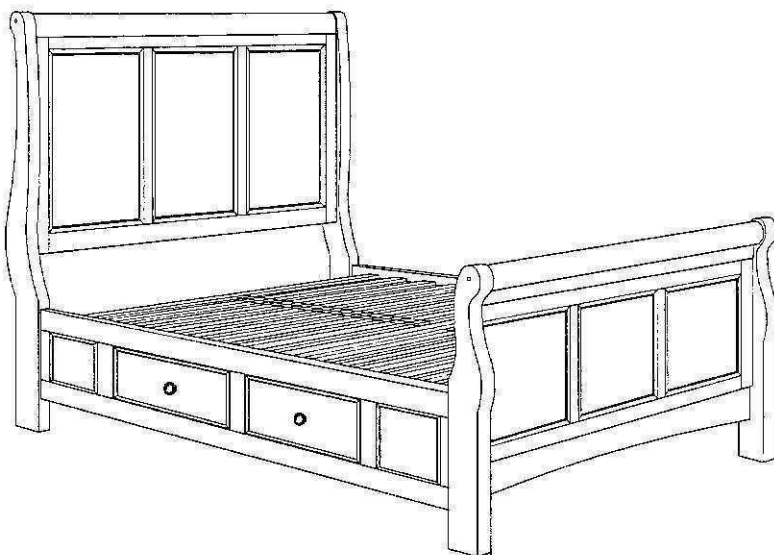
#### **CLEANING & CARE**

Treat surface with care. Surface is resistant to scratches but is not scratches resistant. Clean surface with a dry or damp soft cloth. Do not use abrasive cleaners. Hardware may loosen over time. Periodically check that all connections are tight.

# ASSEMBLY INSTRUCTION

## QUEEN SLEIGH BED - ONE SIDE STORAGE RAIL & PLATFORM SLATS KING SLEIGH BED - ONE SIDE STORAGE RAIL & PLATFORM SLATS

<b>A</b> Headboard (in the other carton)  1 pc	<b>B</b> Footboard (in the other carton)  1 pc	<b>C</b> Side Rail with Storage  1 pc
<b>D</b> Slats  1 Set	<b>E</b> Slats Support  1pc	<b>F</b> Slats Support Leg  2 pcs
<b>G</b> Side Rail Support Leg  3 pcs	<b>H</b> JCBC Bolt M6 X 40mm  3 pcs	<b>I</b> JCBC Bolt M6 X 50mm  2 pcs
<b>J</b> JCBB Bolt M8 X 16mm  4 pcs	<b>K</b> Spring Washer 5/16"  5 pcs	<b>L</b> CSK Screw M4 X 32mm  14 pcs
<b>M</b> Allen Key M4  1 pc	<b>N</b> Allen Key M5  1 pc	



This page lists all the contents included in the box. Please take the time to identify the hardware as well as the individual components to this product. As you unpack and prepare for assembly, place the contents on a carpeted or padded area to protect them from damage.

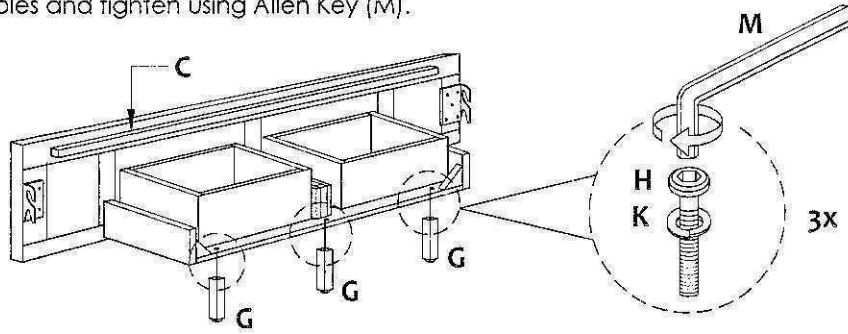
### IMPORTANT NOTE :

1. Do not tighten all screws / bolts until all completely assemble.
2. Keep all hardware parts out of reach of children.

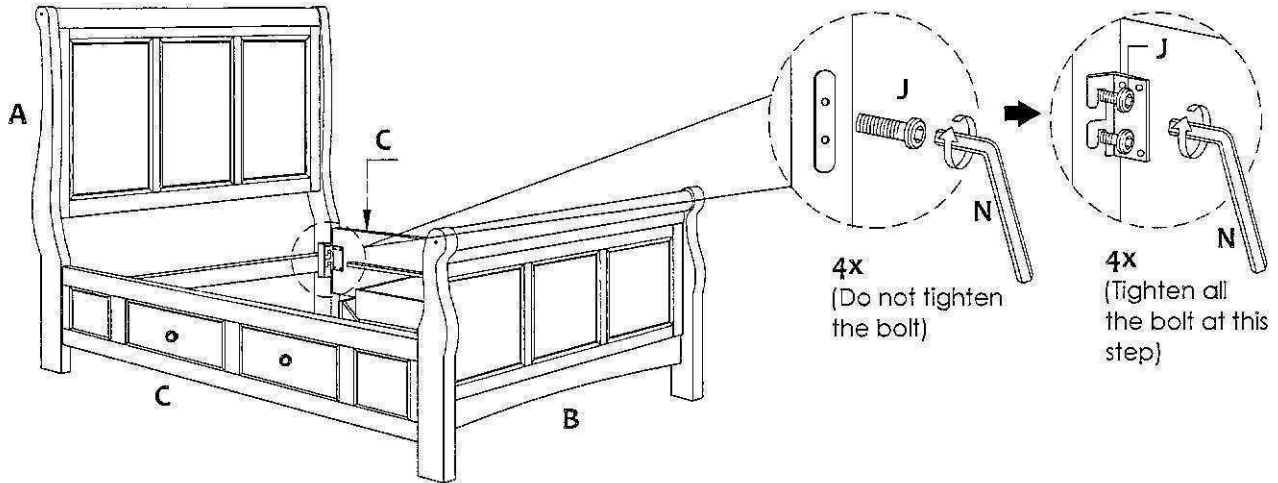
**Remark :**

The other side of Side Rail Parts & Hardware in the other carton. (Match either -3PL / -3SR )

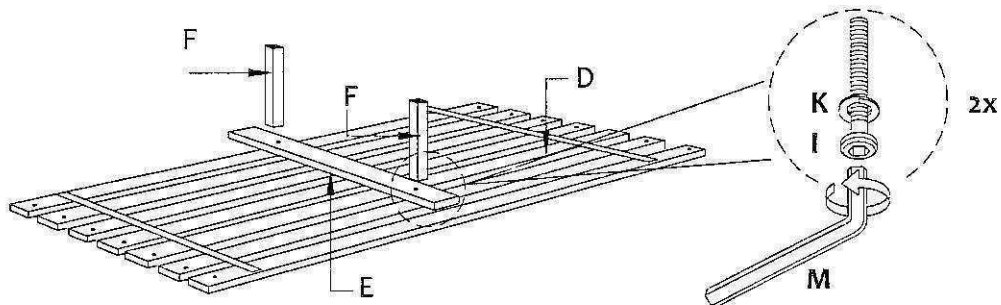
- 1** Place Side Rail Support Leg (G) to the holes at the back of Side Rail with Storage (C). Insert JCBC Bolt (H) and Spring Washer (K) to the holes and tighten using Allen Key (M).



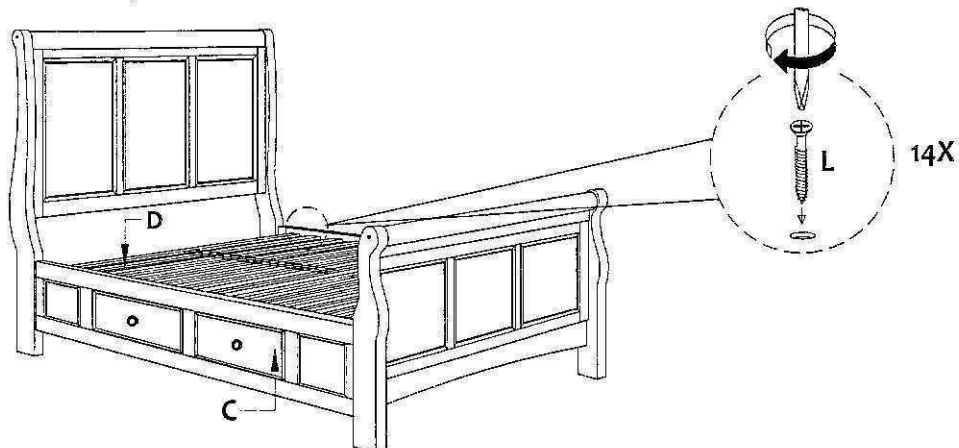
- 2** Attached Side Rail with Storage (C) to Headboard (A) and Footboard (B) by inserting JCBB Bolts (J) loosely into provided holes, then hooking Side Rail brackets on as shown. Tighten all bolts using Allen Key (N).



- 3** Open the Slats (D) with bottom facing up. Place Slats Support (E) and Slats Support Leg (F) on top of Slats (D). From bottom of Slats (D) insert JCBC Bolt (I) and Spring Washer (K) to the holes and tighten using Allen Key (M).



- 4** Turn the Slats (D) and place it to the Side Rail (C). Tighten the Slats (D) with CSK Screw (L) using Phillip Head Screwdriver (Not provided).



**CLEANING & CARE**

Treat surface with care. Surface is resistant to scratches but is not scratches resistant. Clean surface with a dry or damp soft cloth. Do not use abrasive cleaners. Hardware may loosen over time. Periodically check that all connections are tight.