

**SAFETY INFORMATION**

Please read and understand this entire manual before attempting to assemble, install or operate the product.

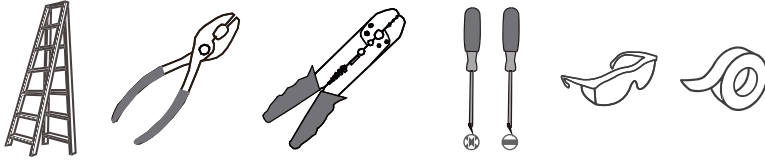
**WARNING**

- RISK OF ELECTRIC SHOCK - Before beginning installation, turn off electricity at the circuit breaker box or the main fuse box.

**CAUTION**

- For your safety, read instructions completely before beginning installation.
- If in doubt about electrical installation, consult a licensed electrician.

**42 TOOLS REQUIRED**



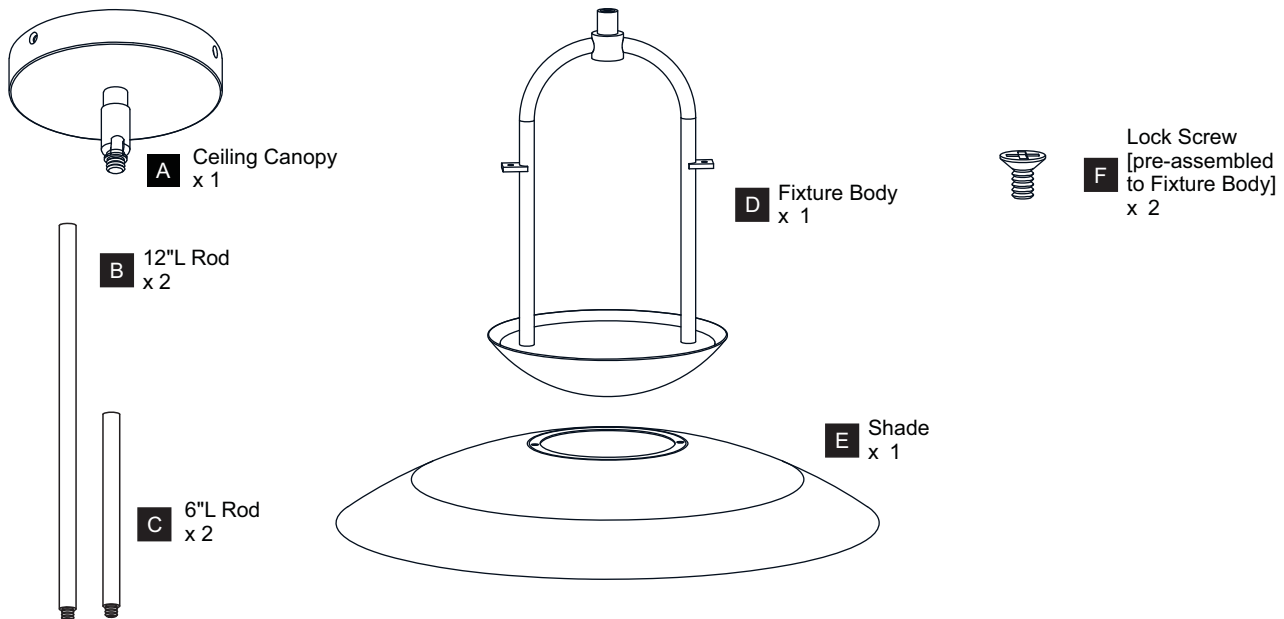
Ratings	120-277Vac, 60Hz	
	Model No.	Wattage
	BIN2818MBK	14W
	BIN2818BRG	14W
	BIN1718MBK	14W
	BIN1718BRG	14W

**CARE AND MAINTENANCE**

- Wipe clean using soft, dry cloth or static duster. Always avoid using harsh chemicals and abrasives to clean fixture as they may damage the finish.

If you need further assistance call Quozel Customer Care at 1-800-645-3184 (9:00am - 5:00pm EST), or visit us on-line at [www.quezel.com](http://www.quezel.com).

**PACKAGE CONTENTS**



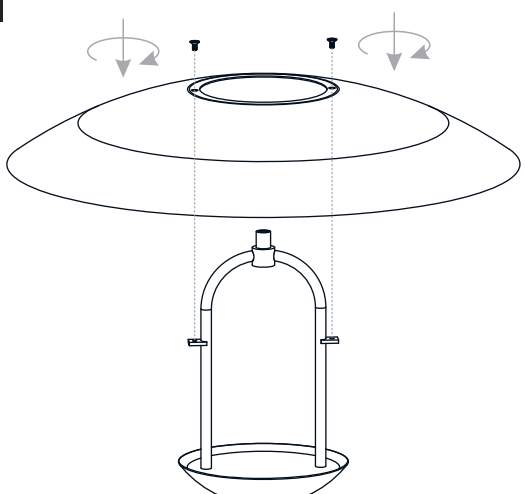
**MOUNTING HARDWARE**



# INSTALLATION

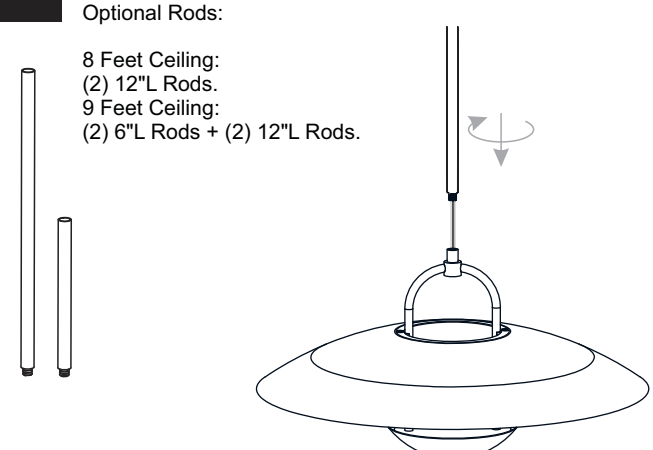
## OPTION 1: PENDANT - BIN2818MBK AND BIN2818BRG

### 1 Install Shade

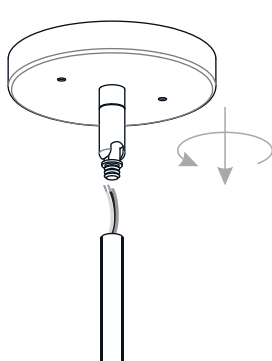


### 2 Install Rods

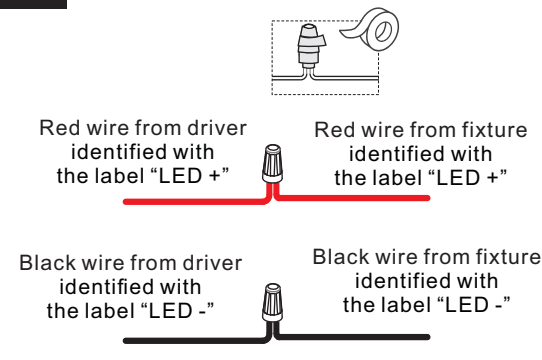
Optional Rods:  
8 Feet Ceiling:  
(2) 12" L Rods.  
9 Feet Ceiling:  
(2) 6" L Rods + (2) 12" L Rods.



### 3 Install Ceiling Canopy to Upper Rod



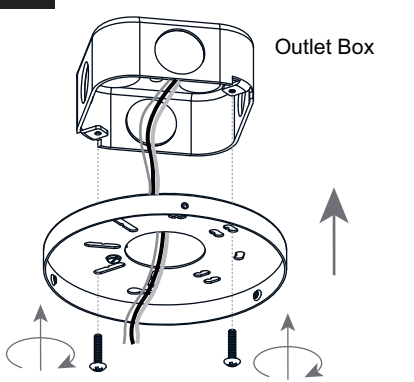
### 4 Connect Fixture Wires to Driver



Red wire from driver identified with the label "LED +"      Red wire from fixture identified with the label "LED +"

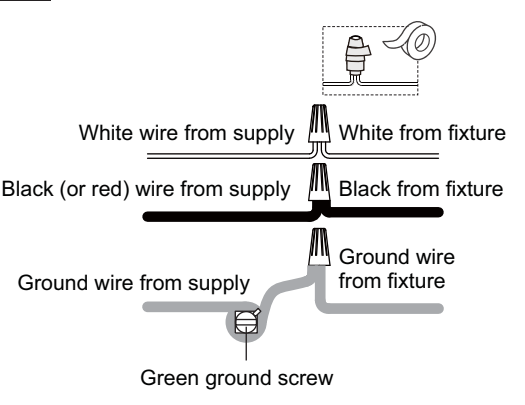
Black wire from driver identified with the label "LED -"      Black wire from fixture identified with the label "LED -"

### 5 Install Inner Backplate



Outlet Box

### 6 Wiring



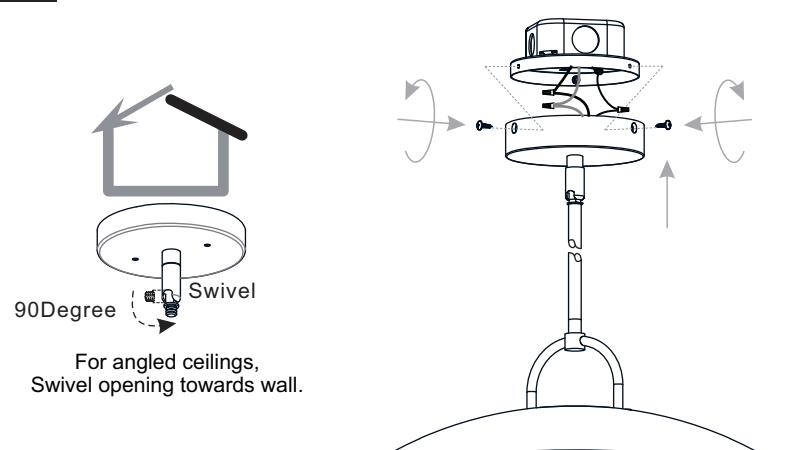
White wire from supply      White from fixture

Black (or red) wire from supply      Black from fixture

Ground wire from supply      Ground wire from fixture

Green ground screw

### 7 Install Fixture to Inner Backplate



90Degree Swivel

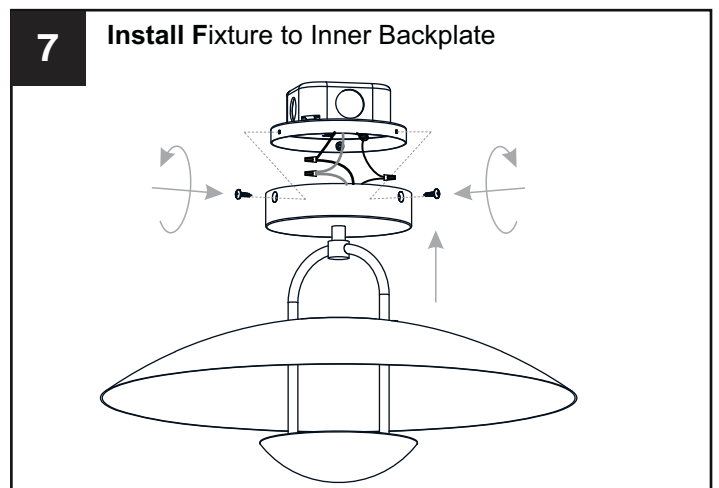
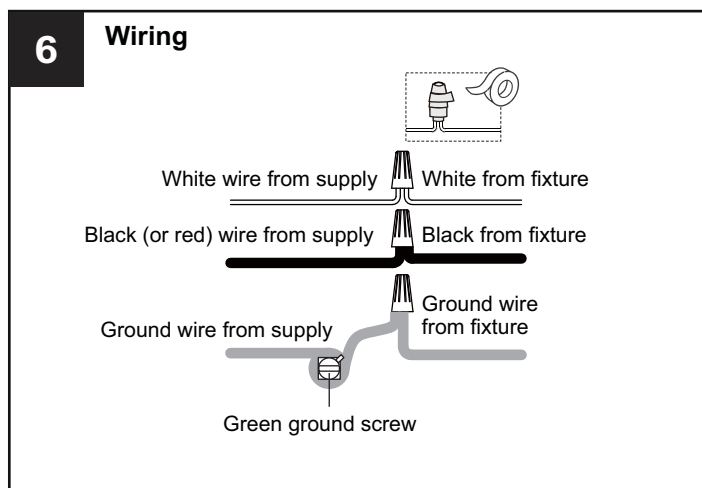
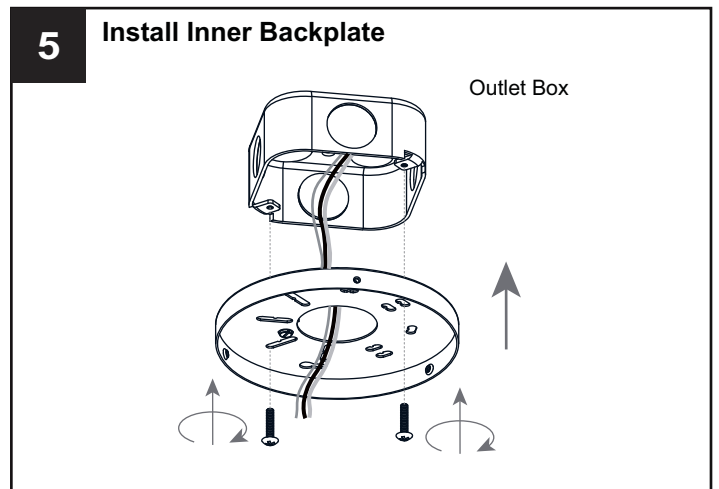
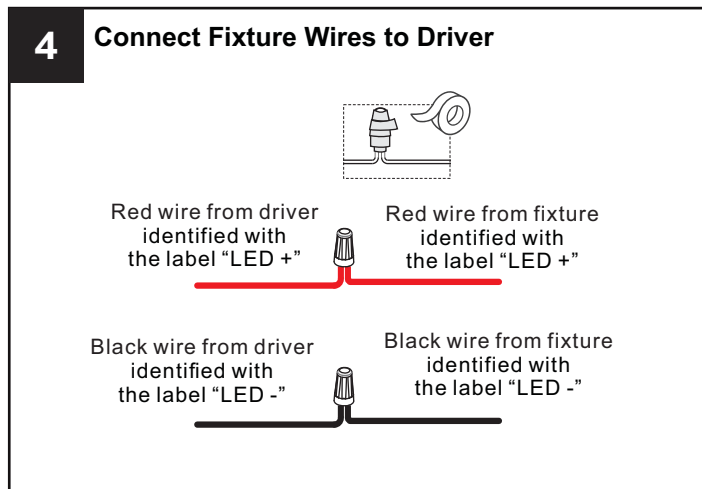
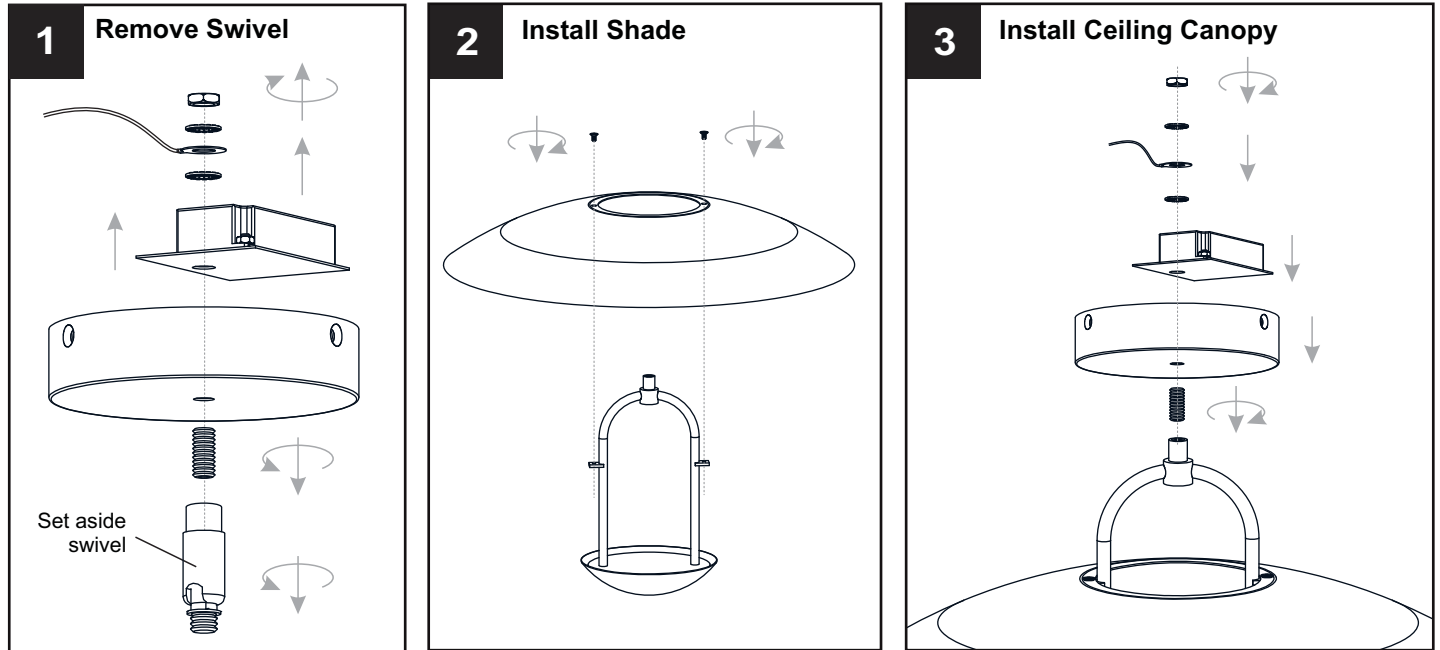
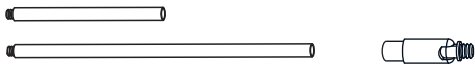
For angled ceilings, Swivel opening towards wall.

# INSTALLATION

**IMPORTANT:** This CONVERTIBLE fixture can be mounted as pendant light or semi-flush light. **DO NOT CUT SUPPLY WIRES** if you intend to use it as pendant light.

## OPTION 2: SEMI-FLUSH - BIN1718MBK, BIN1718BRG

\* Set aside (2) 6"L Rods and (2) 12"L Rods since they are not required for the semi-flush installation.



Your installation is now complete! Restore electricity and save this sheet for future reference.