



Model(s) ZEMS6003AV-IS

Exposed Flush Valve for 3/4" Urinals

TAG

Architectural/Engineering Specification:

Exposed, quiet diaphragm-type, chrome-plated flushometer valve with a polished exterior. Complete with Zurn's AquaVantage® TPE, chloramine resistant, dual seal diaphragm with a clog resistant bypass. The valve incorporates a motor actuator, an integral infrared convergence-type proximity sensor with capacitive sensing override push button, high impact resistant polycarbonate housing and chrome-plated plastic cover with 10 degree angled sensor.

PRODUCT FEATURES:

- Proprietary Dezincification resistant low lead brass alloy
- Control Stop has internal siphon-guard protection and vandal resistant stop cap, Sweat solder kit, wall flange with set screw
- High back pressure Vacuum Breaker with one piece hex coupling nut
- Chloramine resistant Internal seals
- Adjustable tailpiece
- Spud coupling and flange for top spud connection

VALVE HEIGHT OPTIONS:

	Vacuum Tube Length	Rough-in Height "A"
Standard	8-1/2" [216"]	11-1/2" [292]
-1	13" [330]	16" [406]
-2	21" [533]	24" [610]
-3	24" [610]	27" [686]

FLOW OPTIONS:

	Flush Volume	*WaterSense Labeled
-ULF**	0.125 gpf	X
-EWS**	0.5 gpf	X
-WS1	1.0 gpf	
-Standard	1.5 gpf	

** Not available with triple filter by-pass

SUFFIX OPTIONS:

-D1	1" Supply
-FM12	Floor Mount 12" Rough In
-MOB	Manual Over-ride Button (Front of Body)
-YJ	Split Ring Pipe Support
-YK	Solid Ring Pipe Support



Product Compliance:

ADA
 ASSE 1037/ASME A112.1037/CSA B125.37
 ASSE 1037
 CSA B125.37
 IPC
 WaterSense

*Complies with ADA & ICC A117.1 accessibility requirements when installed according to the requirements outlined in these standards.



*This product should be used with a WaterSense labeled counterpart with a compatible flow volume to ensure that the entire system meets the requirements for water efficiency and performance.

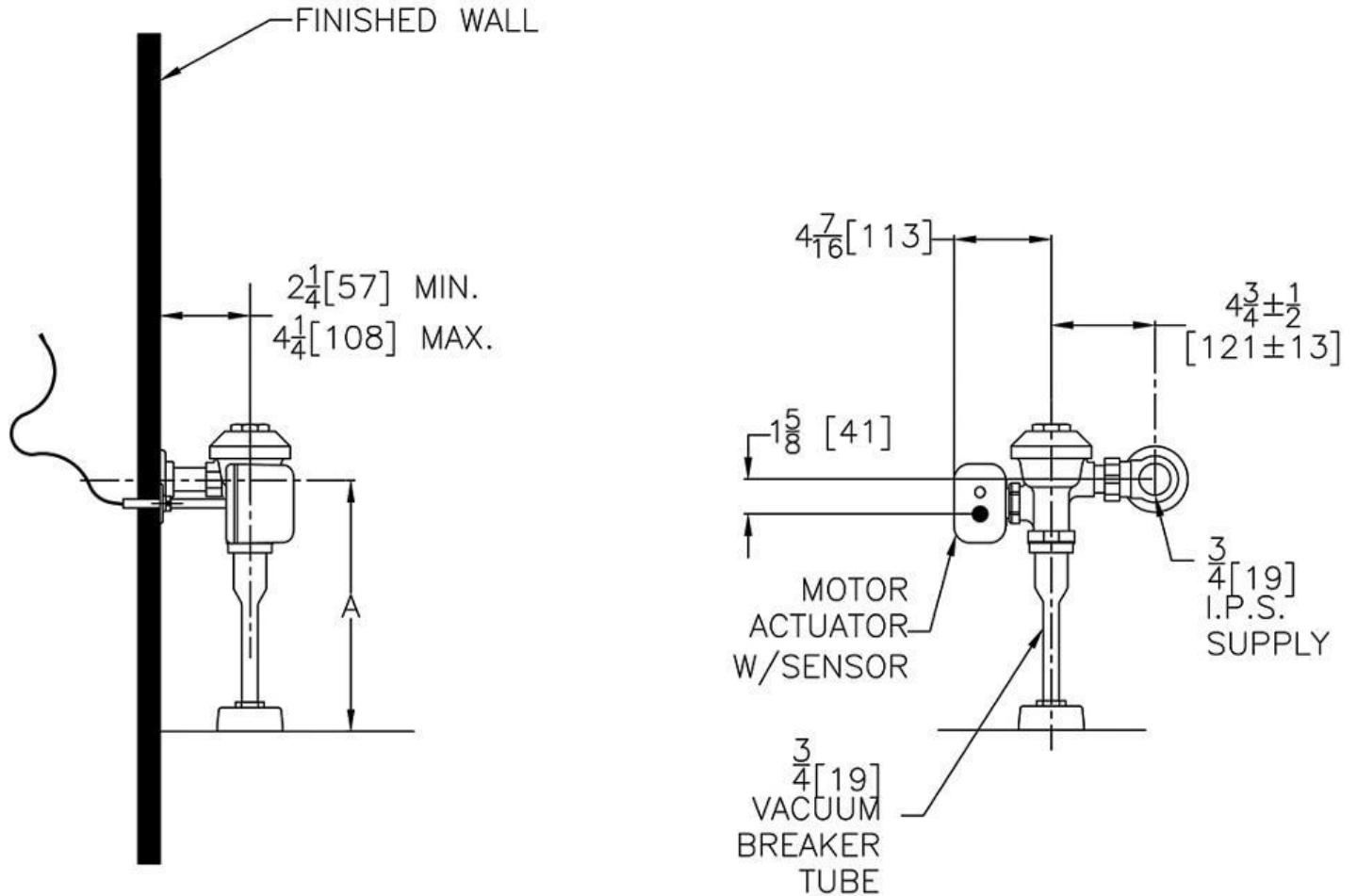
**Although products with certain combinations of options and features will meet or comply with these standards and/or certifications, not every combination of options and features will result in such compliance. If you have any questions about your particular product, please contact our Customer Care Dept. at 1-855-ONE-ZURN (United States) or 1-877-892-5216 (Canada) for confirmation.*

[Installation Guide - Fv343.pdf](#)

Architectural/Engineering Approval

Design and dimensional data (inches and [mm]) are subject to manufacturing tolerances and change without notice.

⚠ WARNING: Cancer and Reproductive Harm – www.P65warnings.ca.gov
 ⚠ ADVERTENCIA: Cáncer y daño reproductivo – www.P65warnings.ca.gov
 ⚠ AVERTISSEMENT: Cancer et effets néfastes sur la reproduction – www.P65warnings.ca.gov



NOTE: All dimensions are for reference only. Do not use for pre-plumbing.

Design and dimensional data (inches and [mm]) are subject to manufacturing tolerances and change without notice.

⚠ WARNING: Cancer and Reproductive Harm – www.P65warnings.ca.gov
 ⚠ ADVERTENCIA: Cáncer y daño reproductivo – www.P65warnings.ca.gov
 ⚠ AVERTISSEMENT: Cancer et effets néfastes sur la reproduction – www.P65warnings.ca.gov