



Undertone®
31-1/2" undermount double-bowl kitchen sink
K-3350

Features

- 36" minimum base cabinet width
- Double-equal bowls
- 7-1/2" (191 mm) depth
- Rear drain placement increases cabinet storage space underneath sink
- Includes installation hardware

Material

- Premium 18-gauge stainless steel

Installation

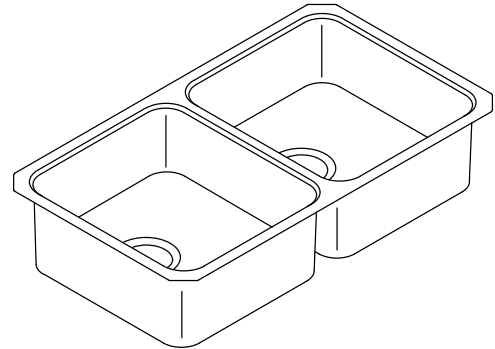
- Undermount

Recommended Products/Accessories

- K-6388 Sink Rack
- K-3294 Hardwood cutting board for kitchen sinks
- K-8801 Sink drain and strainer with tailpiece (Qty 2)
- K-8799 Sink drain and strainer basket
- K-23726 Drain treatment
- K-23729 Stainless steel cleaner

Optional Products/Accessories

- K-11352 Disposal Flange with Stopper

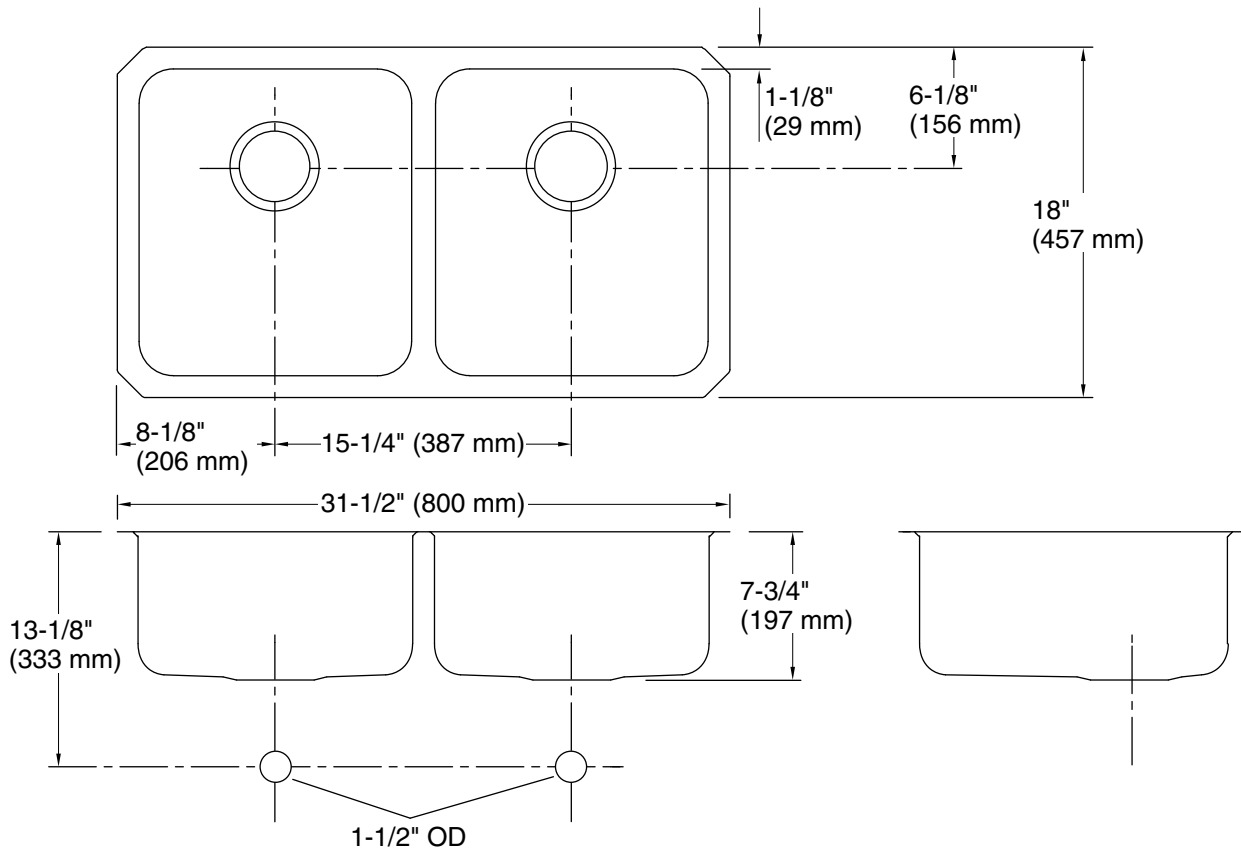


Codes/Standards

ASME A112.19.3/CSA B45.4

**KOHLER® Stainless Steel Sinks
Lifetime Limited Warranty**

See website for detailed warranty information.



Technical Information

All product dimensions are nominal.

Basin configuration: Equal Bowls

Min. base cabinet width: 36" (914 mm)

Bowl area (Left): Length: 14" (356 mm)
 Width: 15-3/4" (400 mm)
 Bowl depth: 7-1/2" (191 mm)
 Water depth: 7-1/2" (191 mm)

Bowl area (Right): Length: 14" (356 mm)
 Width: 15-3/4" (400 mm)
 Bowl depth: 7-1/2" (191 mm)
 Water depth: 7-1/2" (191 mm)

Drain hole: 3-3/4" (94 mm)

Template: 1221369-7, required, included

Notes

Install this product according to the installation instructions.