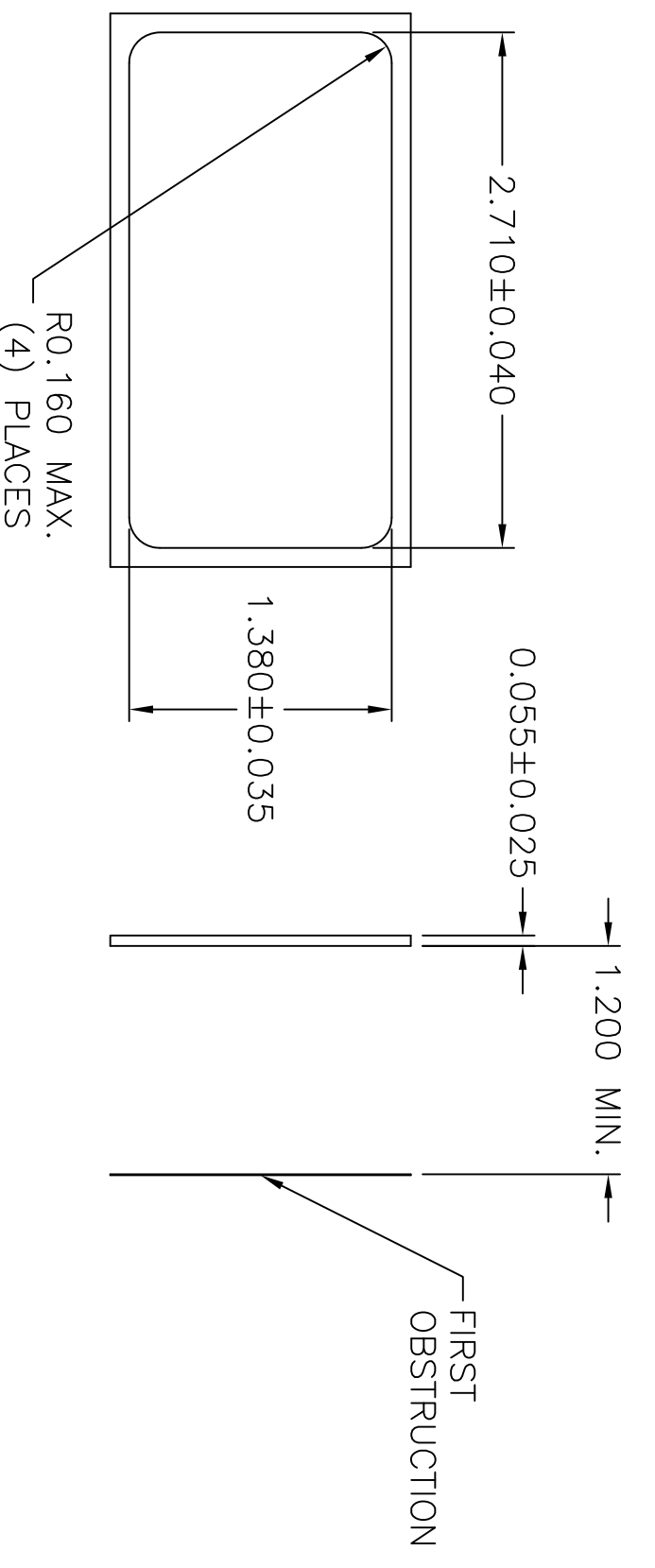
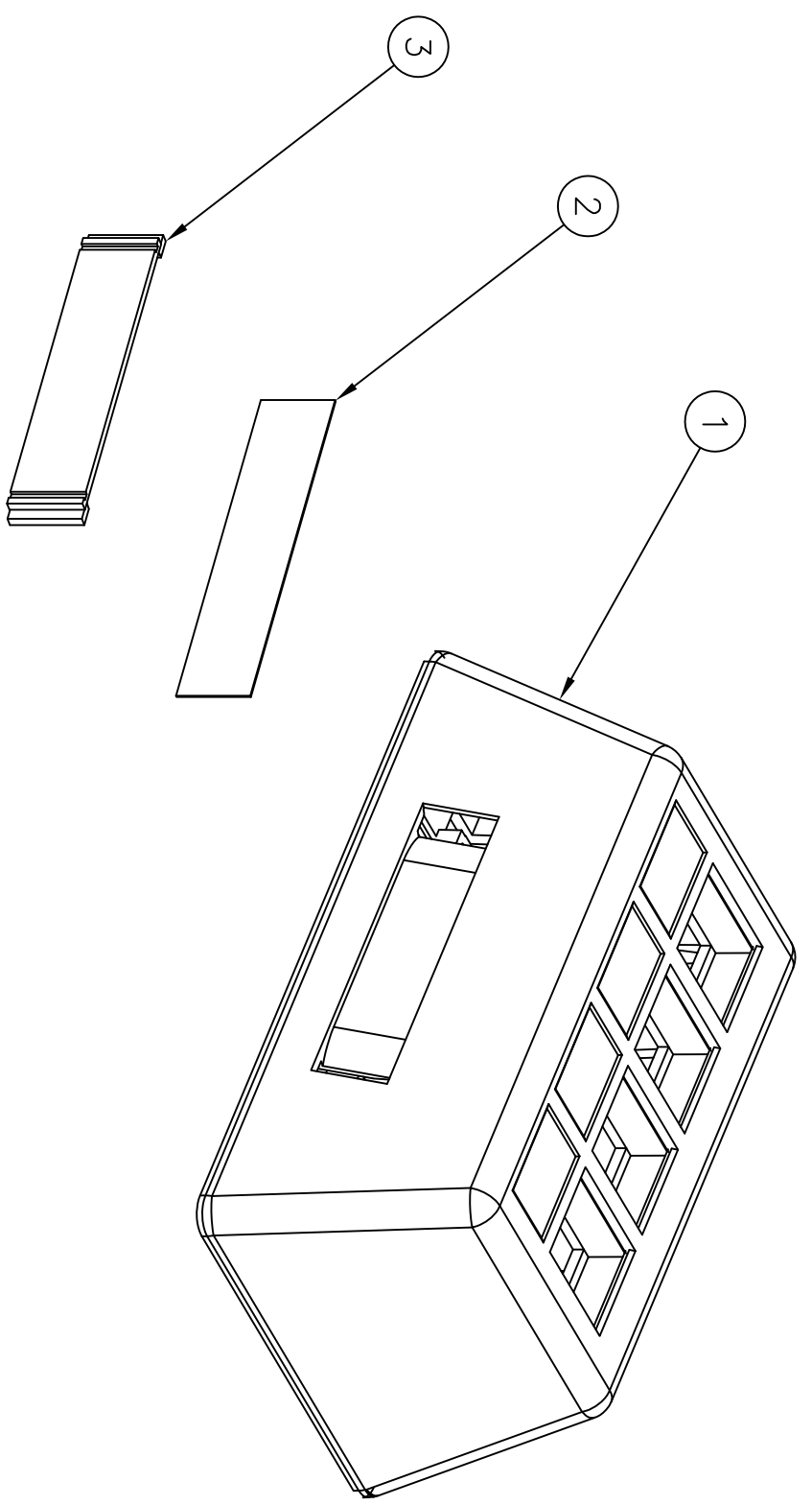
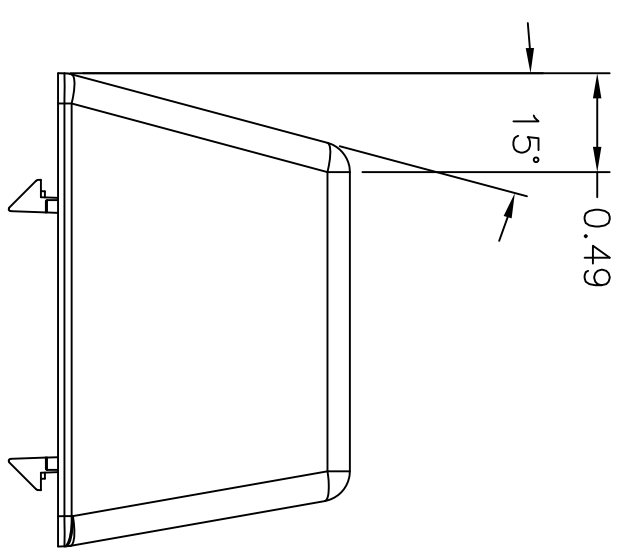
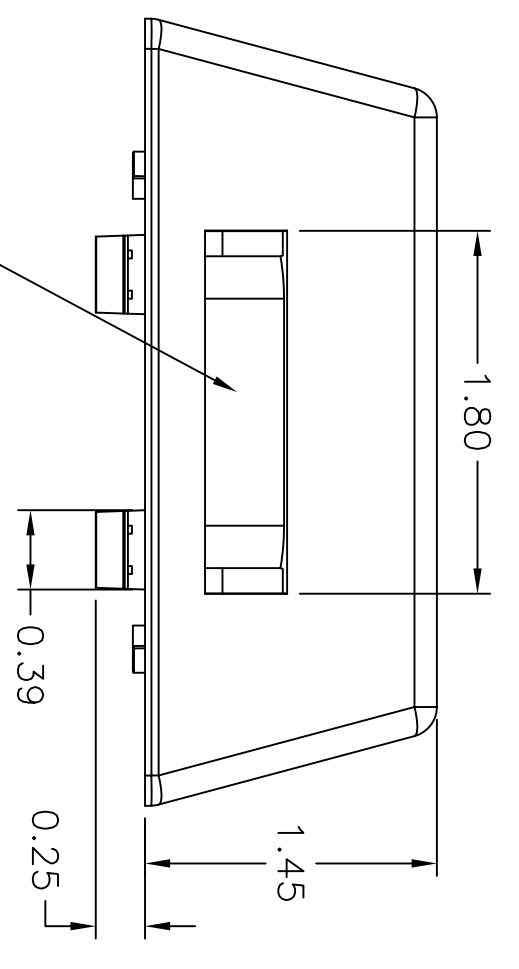
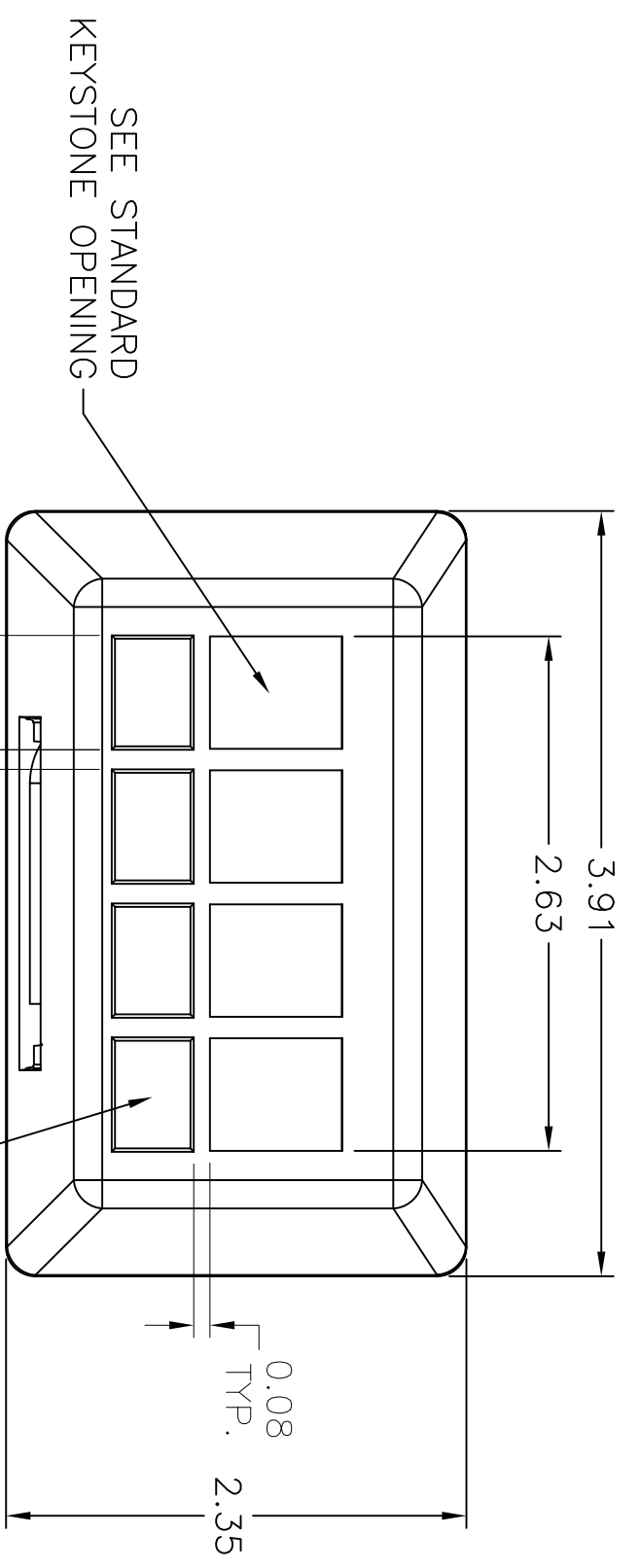
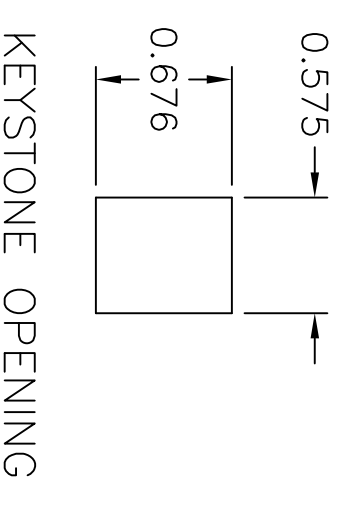
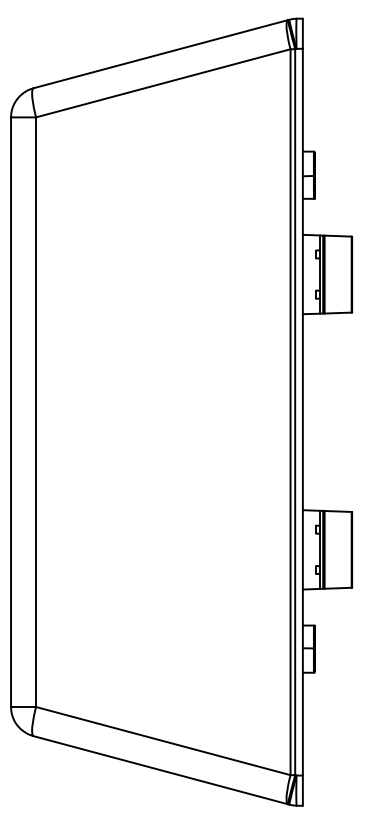


| ITEM NO. | DESCRIPTION | QTY. |
|----------|----------------------------------|------|
| 1 | BOX, FURNITURE, 4-PORT, W/LABELS | 1 |
| 2 | CARD, PAPER, 40X1.92, BLANK | 1 |
| 3 | COVER LABEL, CLEAR | 1 |

| CATALOG NUMBER | COLOR | DESCRIPTION |
|----------------|--------------|----------------------|
| FP4BGY | GREY | 4-PORT FURNITURE BOX |
| FP4BBK | BLACK | 4-PORT FURNITURE BOX |
| FP4BOW | OFFICE WHITE | 4-PORT FURNITURE BOX |
| FP4BW | WHITE | 4-PORT FURNITURE BOX |
| FP4BBN | BROWN | 4-PORT FURNITURE BOX |



SEE NOTE NO.2

NOTES:

1. LABEL FIELDS - HUBBELL PORT IDENTIFIERS PART NO. XPLPP10W
2. LABEL FIELDS - HUBBELL STATION LABEL PART NO. XPLFP10W
3. UL LISTED
4. FITS STANDARD ANSI/TIA/EIA FURNITURE OPENING SIZE (SEE DETAIL)
5. SPECIFICATIONS SUBJECT TO CHANGE WITHOUT PRIOR NOTICE

| REV. | ECN | DATE | DESCRIPTION | CHG BY | APPD BY |
|------|-------|----------|----------------|--------|---------|
| B | 17889 | 03/20/12 | ADDED 3 COLORS | MMA | |

Created on AUTOCAD

DIMENSIONING AND TOLERANCE PER ANSI Y14.5M-1982 UNLESS OTHERWISE SPECIFIED. DIMENSIONS ARE IN INCHES (MM). TOLERANCES .XX = ±.01 (.25) .XXX = ±.005 (.127) .XXXX = ±.0025 (.0635) ANGLE TOL. ±1°

IN ACCEPTING OUR DRAWINGS, BLUEPRINTS, OR SUPPORTING DOCUMENTATION FOR QUOTATION OR OTHER PURPOSES, YOU AGREE NOT TO DISCLOSE TO OTHERS THE IDEAS, INFORMATION, OR DESIGNS SHOWN HEREIN, AND THAT YOU WILL MAKE NO USE OF SAME WITHOUT PERMISSION

PROJECT REFERENCE:

MATERIAL:

DRAWN BY: PAUL S. MAGUIRE 11/07/02

CHECKED BY: RAY RODDEN 11/08/02

APPROVED BY: RAY RODDEN 11/08/02

TITLE: PLATES/HOUSINGS/FRAMES FURNITURE PLATES 4-PORT FURNITURE BOX (STANDARD OPENING)

Hubbell Premise Wiring
HUBBELL INCORPORATED (Delaware)
14 Lord's Hill Road, Stonington, Connecticut 06378

SIZE: C DRAWING NO. 11544C

SCALE: 1/1 SHEET 1 OF 1