

32-Channel Network Recorder

NVR32



Key Features

- Supports Ultra265/H.265/H.264 video formats
- 32-channel input
- Plug & play with 16 independent PoE network interfaces
- Supports mainstream cameras of ONVIF conformance (Profile S, Profile G, Profile T) and RTSP protocols
- Supports 1-ch HDMI, 1-ch VGA. HDMI up to 4K (3840x2160) resolution
- HDMI and VGA independent outputs provided
- Up to 12 Megapixel resolution recording
- 4 SATA HDDs, up to 10TB for each HDD
- Supports RAID 1, 5
- Various fisheye dewarping modes for live view and playback for both web interface and GUI
- ANR technology to enhance the storage reliability when the network is disconnected
- Supports cloud upgrades

Specifications

Video/Audio Input	
IP Video Input	32-ch
Two-way Audio Input	1-ch, RCA
Network	
Incoming Bandwidth	320Mbps
Outgoing Bandwidth	320Mbps
Remote Users	128
Protocols	TCP/IP, P2P, UPnP, NTP, DHCP, PPPoE, HTTP, HTTPS, DNS, DDNS, SNMP, SMTP, NFS
Video/Audio Output	
HDMI/VGA Output	VGA: 1920x1080p/60Hz, 1920x1080p/50Hz, 1600x1200/60Hz, 1280x1024/60Hz, 1280x720/60Hz, 1024x768/60Hz HDMI: 4K (3840x2160)/30Hz, 1920x1080p/60Hz, 1920x1080p/50Hz, 1280x1024/60Hz, 1280x720/60Hz, 1024x768/60Hz
Recording Resolution	12MP/8MP/6MP/5MP/4MP/3MP/1080p/960p/720p/D1/2CIF/CIF
Audio Output	1-ch, RCA
Audio Compression	G.711A, G.711U
Synchronous Playback	16-ch
Live View Display	1/4/6/8/9/16/25/36
Corridor Mode Screen	3/4/5/7/9/10/12/16/32
Snapshot	
FTP/Schedule/Event Snapshot	16-ch snapshot, up to 1080P resolution
Decoding	
Decoding Format	Ultra 265, H.265, H.264
Live View/Playback	12MP/8MP/6MP/5MP/4MP/3MP/1080p/960p/720p/D1/2CIF/CIF
Capability	1 x 12MP@30, 2 x 4K@30, 5 x 4MP@30, 10 x 1080P@30, 22 x 720P@30, 32 x D1
Hard Disk	
SATA	4 SATA interfaces
Capacity	up to 10TB for each HDD
eSATA	NA
Disk Group	Support
RAID	RAID 1,5
General Alarm	
General Alarm	Motion, Tampering, Human Body Detection, Video Loss, Input Alarm, Audio Detection
Alert Alarm	IP Conflict, Network Disconnected, Disk Offline, Disk Abnormal, Illegal Access, Hard Disk Space Low, Hard Disk Full, Recording/Snapshot Abnormal
External Interface	
Network Interface	1 RJ45 10M/100M/1000M self-adaptive Ethernet Interfaces

USB Interface	Front panel: 1 x USB2.0,Rear panel: 1 x USB3.0
RS232	NA
RS485	1
Alarm In	16-ch
Alarm Out	4-ch
PoE	
Interface	16 RJ-45 10M/100M self-adaptive Ethernet Interface
Max Power	Max 30W for single port Max 150W in total
Supported Standard	IEEE 802.3af/at
General	
Power Supply	100~240V AC Power Consumption: ≤ 20 W (without HDD)
Working Environment	-10°C~+ 55°C (+14°F~+131°F), Humidity ≤ 90% RH (non-condensing)
Dimensions (W×D×H)	400mm × 363mm × 74mm (15.7" × 14.3"× 2.9")
Weight (without HDD)	≤4Kg (8.82lb)
Certification	
Certification	UL CE FCC RoHS WEEE

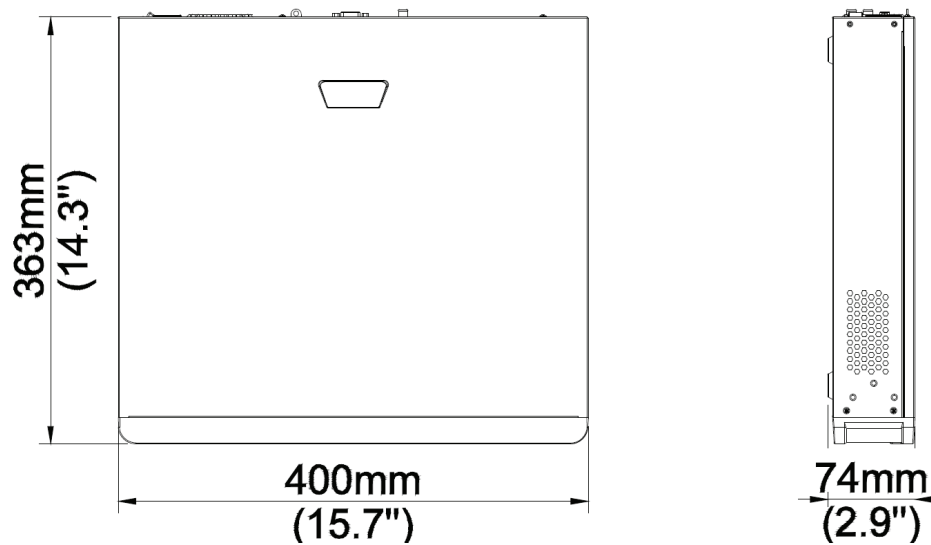


The United States government passed the John S. McCain National Defense Authorization Act for the 2019 fiscal year on August 13, 2018 (NDAA 2019). This act specifies the budget, expenditures and policies of the United States Department of Defense. This act prohibits the purchase and use of specific electronic security products manufactured and supplied by specific companies based in China.

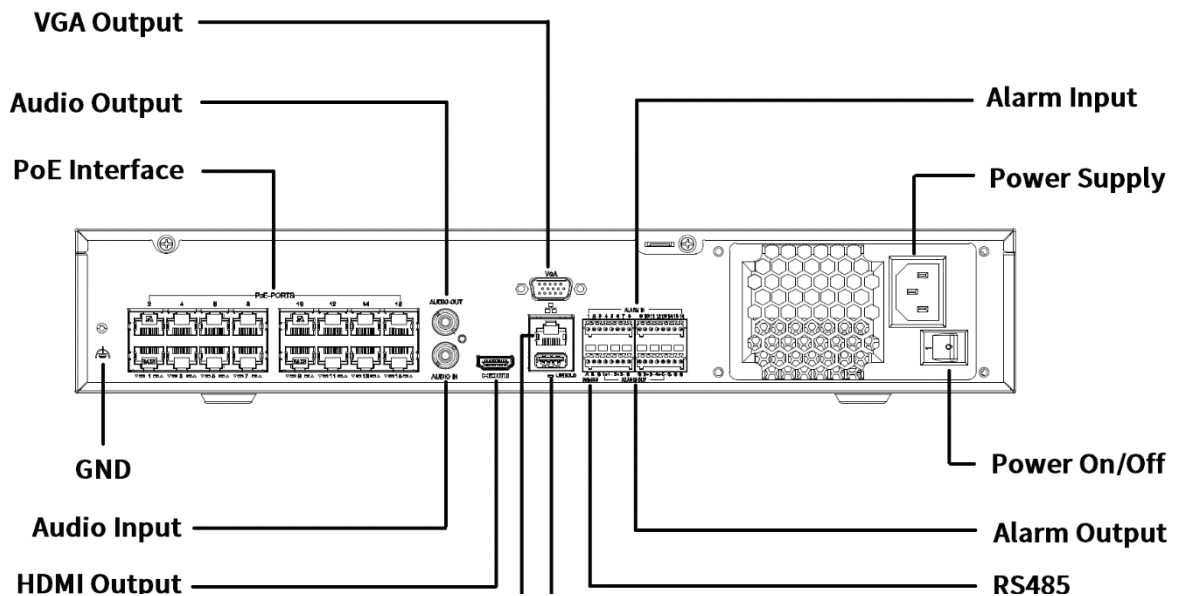
We are aware of the NDAA and abide by the stipulations set forth in this NDAA regulation. Illumivue is always committed to not only providing products of the highest standards, but also making sure the products are compliant with project requirements contractually binding.

Our goal is to continue to provide only the best equipment we can. Safety and security is our top priority and we are doing everything necessary to ensure that we maintain our status as a trusted brand. We persistently pay close attention to product quality and compliance, and we sincerely appreciate all partners' support and patience.

Dimensions



Rear Panel



Warranty

All Illumivue products come with a 3-year limited liability warranty. This warranty includes parts and labor repairs on all components found to be defective in material or workmanship under normal conditions of use. This warranty shall not apply to products which have been abused, modified, or disassembled. Warranty items only by authorized resellers. Warranty not eligible for products purchased through non-authorized online sellers.

A product that fails under conditions other than those covered will be repaired at the current price of parts and labor in effect at the time of repair. Such repairs are warranted for 90 days from the date of reshipment to the buyer. If the unit is delivered by mail, customers agree to insure the unit or assume the risk of loss or damage in transit. Under no circumstances will a unit be accepted without a return authorization number. The warranty is in lieu of all other warranties expressed or implied, including without limitations, any other implied warranty or fitness or merchantability for any particular purpose, all of which are expressly disclaimed. Proof of sale may be required in order to claim warranty.