



# Kingston™ | K-25097-SSTR

Two-piece round-front toilet, 1.28 gpf

## Features

- Ideal for commercial installations
- Antimicrobial finish inhibits the growth of mold-, mildew-, stain-, and odor-causing bacteria on the fixture surface. This product does not protect users against bacteria, viruses, or other disease organisms. Always clean and wash this product thoroughly before and after each use
- Two-piece design
- 1.28 gpf (4.8 lpf)
- Durable metal right-hand Polished Chrome trip lever
- 2-1/8" (54 mm) fully glazed trapway
- Tank cover locks included
- Easy-to-service silicone seal
- Sanitary guard where bowl and tank meet for ease of cleaning
- Encapsulated bolts prevent rust and corrosion
- Combination consists of toilet bowl and tank
- Class Five® canister optimizes the flow out of the tank, harnessing gravity and the natural, powerful reducing cascade of water to increase the power and effectiveness of the flush



## Sustainability



## Codes/Standards

*Accessibility standards may require controls to be located on the open side of the toilet.*

*Plumbing codes may require elongated toilets and elongated, open-front seats in public bathrooms.*

*This product should be used with a WaterSense labeled counterpart with the same rated flush volume to ensure the complete system meets the requirements of this specification for water efficiency and performance.*



ASME A112.19.2/CSA B45.1  
DOE - Energy Policy Act 1992  
EPA WaterSense®  
California Energy Commission (CEC)

## Warranty

See website for detailed warranty information.

KOHLER® Toilets and Seats Limited Warranty

## Technical Information

Installation Type:	Floor-mount
Rough-in:	Standard 12" (305mm)
Flush Type:	Class Five
Flush Rate:	1.28 gpf (4.8 lpf)
Bowl Shape:	Round-front
Waste Outlet:	Floor
Trapway Size:	2-1/8" (54 mm)
Trapway Type:	Exposed
Water Surface Size:	10-3/8" x 7-1/16" (264 mm x 179 mm)
Rim to Water Surface:	5-5/8" (143 mm)

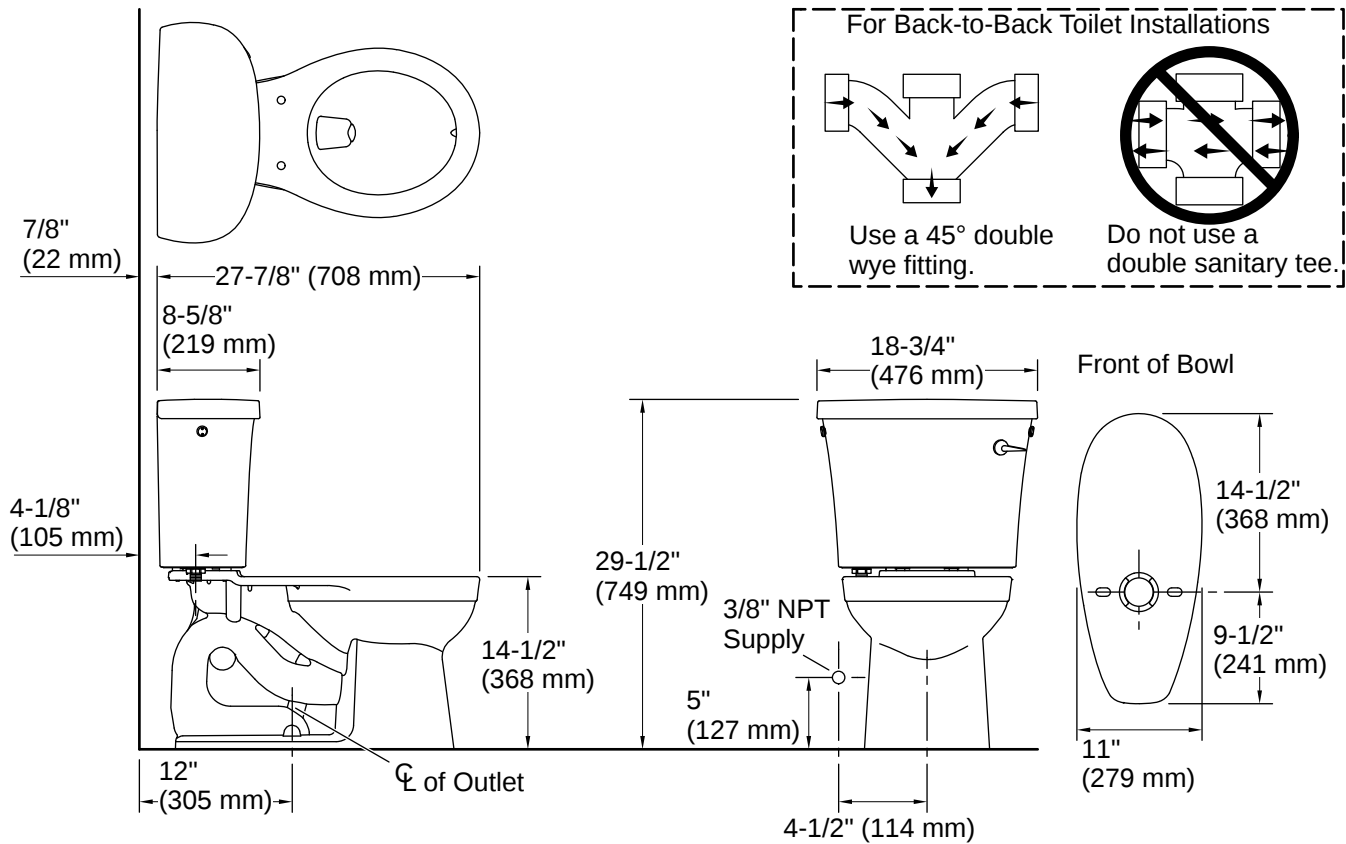
## Included Combo Skus

- K-25096-SS Round-front toilet bowl
- K-25100-TR Toilet tank, 1.28 gpf

## Recommended Products/Accessories

- K-23726 Drain treatment
- K-5420 Low-profile toilet bolt caps
- K-7637 3/8" NPT angle supply with stop and annealed vertical tube
- K-4636-RL ReadyLatch® Quiet-Close™ elongated toilet seat





## Installation

- Three-bolt quick-connect installation
- Standard 12" (305 mm) rough-in
- Seat and supply line sold separately

## Installation Notes

*Install this product according to the installation instructions.*

For back-to-back toilet installations: Use only a 45° double wye fitting.

Product dimensions are nominal and may vary per ASME A112.19.2 tolerances.

