

KALLISTA®

Central Park West® by Robert A.M. Stern
Architects

Single-control sink faucet
P26622-00

Features

- A selection of products within this collection is in stock and ready to ship. Please visit kallista.com/resources/#ReadyToShip for the complete list of Ready-to-Ship products and finishes
- High-quality solid-brass construction for durability and reliability
- Spout reach is 5-3/4" (146 mm)
- 9-15/16" (252 mm) faucet height
- Includes metal pop-up drain with 1-1/4" metal tailpiece
- Single-hole installation
- 1.2 gpm (4.5 lpm) maximum flow rate



Recommended Products/Accessories

P74234-WO Under-mount Sink, Soft Rectangle with Overflow, Glazed
P31427-00 Toilet Paper Holder
P31426-00 Hook
P31422-00 Towel Ring
P31425-00 Towel Bar, 24"
P31424-00 Towel Bar, 18"



Codes/Standards




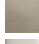

ASME A112.18.1/CSA B125.1
NSF/ANSI/CAN 61
NSF/ANSI/CAN 372
DOE - Energy Policy Act 1992
EPA WaterSense®
California Energy Commission (CEC)

KALLISTA® Five-Year Limited Warranty

See website for detailed warranty information.

Available Colors/Finishes

Color tiles intended for reference only.

Color	Code	Description
	CP	Polished Chrome
	ULB	Unlacquered Brass
	BAF	Brushed French Gold
	BV	Brushed Bronze
	SN	Polished Nickel
	BN	Brushed Nickel

1-888-4-KALLISTA (1-888-452-5547)

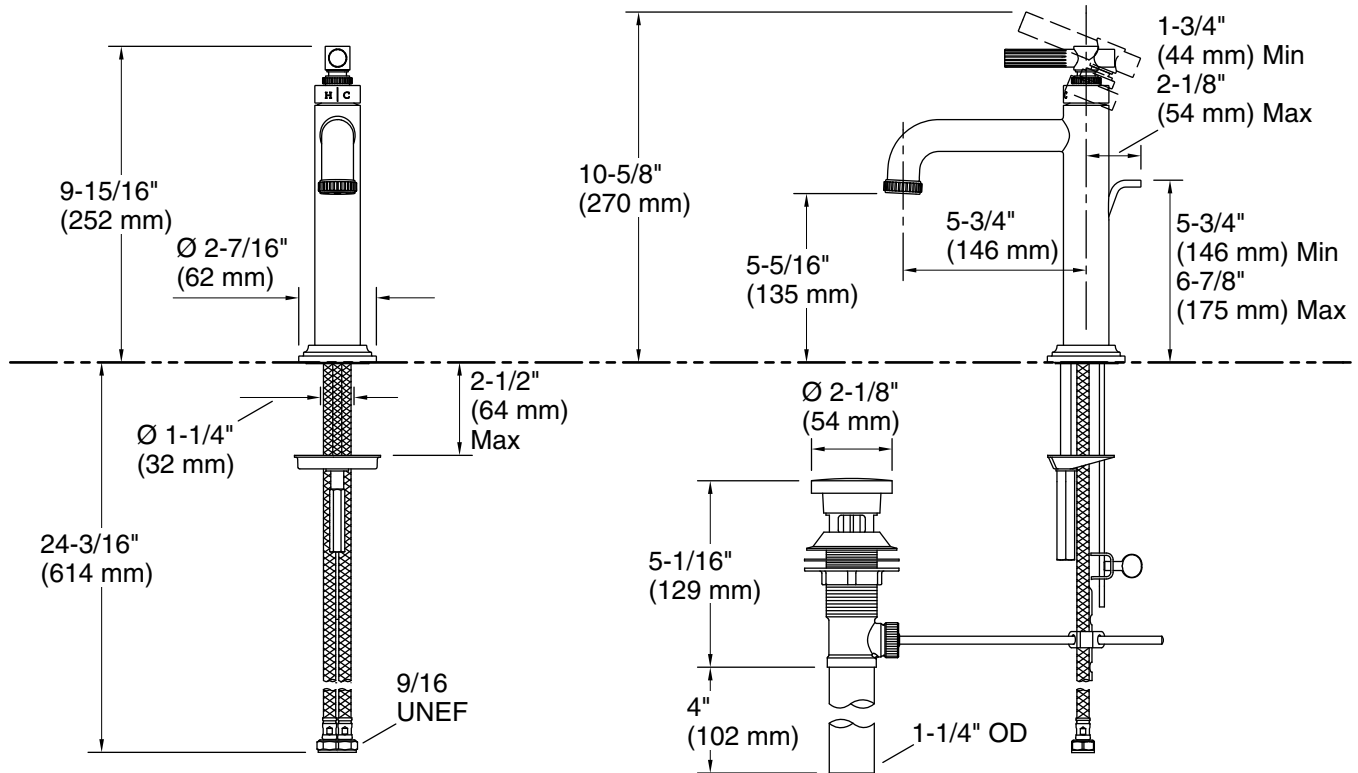
Kallista reserves the right to make revisions without notice to product specifications.

For the most current Specification Sheet, go to www.kallista.com.

5-8-2025 20:01 - US

KALLISTA

Central Park West® by Robert A.M. Stern
Architects
Single-control sink faucet
P26622-00



Technical Information

All product dimensions are nominal.

Faucet flow rate: 1.2 gal/min (4.5 l/min)

Drain included: Yes

Drain with overflow: Yes

Spout:

Spout reach: 5-3/4" (146 mm)

Notes

Install this product according to the installation guide.

ADA, CSA B651 compliant when installed to the specific requirements of these regulations.