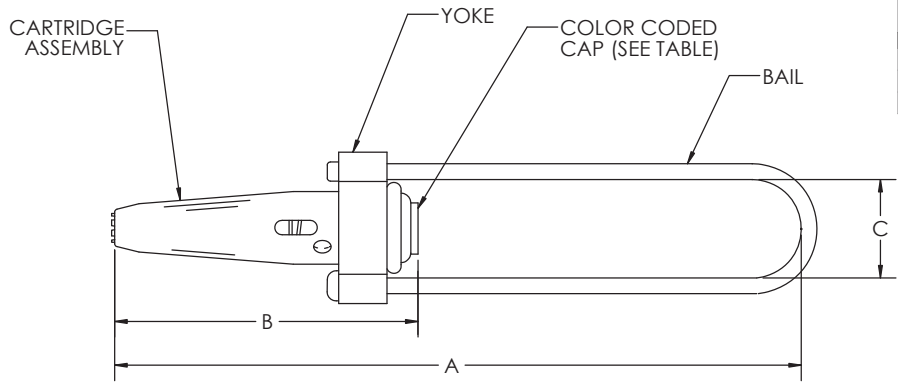


| Catalog Number  | A    | B    | C    | Bail Type          | Standard Pack |
|---|------|------|------|--------------------|---------------|
| <b>3/16" Universal Grade - Wire Range = .145-.215 Cap = Red</b>   |      |      |      |                    |               |
| 5199  | 10.1 | 4.66 | 1.63 | A                  | 50            |
| 5255  | 12.8 | 4.66 | 2.75 | E                  | 25            |
| 5261  | 22.3 | 4.66 | 2.75 | E                  | 25            |
| <b>1/4" Universal Grade - Wire Range = .215-.270 Cap = Yellow</b> |      |      |      |                    |               |
| 5200  | 10.4 | 4.88 | 1.63 | A                  | 50            |
| 5250  | 13.9 | 4.88 | 2.25 | B                  | 50            |
| 5200L   | 13.9 | 4.88 | 1.63 | C                  | 50            |
| 5262  | 22.6 | 4.88 | 2.75 | E                  | 25            |
| 5268  | 28.6 | 4.88 | 2.75 | E                  | 25            |
| <b>5/16" Universal Grade - Wire Range = .270-.315 Cap = Black</b> |      |      |      |                    |               |
| 5201  | 10.7 | 5.38 | 1.63 | A                  | 50            |
| 5251  | 14.0 | 5.38 | 2.25 | B                  | 50            |
| 5201L   | 15.8 | 5.38 | 1.63 | C                  | 50            |
| 5257  | 14.1 | 5.38 | 2.75 | E                  | 20            |
| 5263  | 23.4 | 5.38 | 2.75 | E                  | 25            |
| 5269  | 29.7 | 5.38 | 2.75 | E </td <td>20</td> | 20            |
| <b>3/8" Universal Grade - Wire Range = .325-.392 Cap = Orange</b> |      |      |      |                    |               |
| 5202  | 12.9 | 6.47 | 2.00 | A                  | 25            |
| 5252  | 15.1 | 6.47 | 2.25 | B                  | 25            |
| 5202L   | 18.0 | 6.47 | 2.00 | C                  | 25            |
| 5264  | 25.0 | 6.47 | 2.75 | E                  | 20            |
| 5270  | 31.0 | 6.47 | 2.75 | E                  | 20            |
| <b>7/16" Universal Grade - Wire Range = .392-.455 Cap = Green</b> |      |      |      |                    |               |
| 5203  | 14.8 | 6.72 | 2.00 | A                  | 25            |
| 5253-6  | 17.3 | 6.72 | 2.75 | D                  | 25            |
| 5203L   | 21.0 | 6.72 | 2.00 | C                  | 25            |
| <b>1/2" Universal Grade - Wire Range = .455-.520 Cap = Blue</b>   |      |      |      |                    |               |
| 5204  | 16.3 | 7.09 | 2.00 | A                  | 20            |
| 5254  | 17.5 | 7.09 | 2.00 | B                  | 20            |
| 5254-6  | 17.4 | 7.09 | 2.75 | D                  | 20            |
| 5204L   | 20.5 | 7.09 | 2.00 | C                  | 20            |

This drawing contains confidential information that is the property of MacLean Power, L.L.C. ("MacLean"). Use of MacLean's confidential information without MacLean's express written consent is strictly prohibited and may expose you to legal liability. If you believe that you received this material in error, please destroy it or return it to "MacLean Power, L.L.C., 481 Munn Rd, Suite 300, Fort Mill, SC 29715 USA."



| PAPER SIZE | CATALOG NUMBER       |               |       |
|------------|----------------------|---------------|-------|
| <b>B</b>   | <b>GD-STRANDVISE</b> |               |       |
| REV        | REVISED BY           | REVISION DATE | ECO # |
| A          |                      | 03-13-13      | 10834 |
| B          | RHJ                  | 05-15-14      | 11288 |
| C          | BTS                  | 09-15-14      | 11446 |

| Catalog Number   | A    | B    | C     | Bail Type | Standard Pack |
|--|------|------|-------|-----------|---------------|
| <b>3/16" All Grades - Wire Range = .185-.193 Cap = Red</b>   |      |      |       |           |               |
| 5099   | 8.1  | 2.97 | 1.63  | A         | 50            |
| <b>1/4" All Grades - Wire Range = .140-.215 Cap = Yellow</b> |      |      |       |           |               |
| 5100   | 9.6  | 3.94 | 1.63  | A         | 50            |
| 5150   | 12.8 | 3.94 | 2.25  | B         | 50            |
| 5100L  | 13.1 | 3.94 | 1.63  | C         | 25            |
| <b>5/16" All Grades - Wire Range = .310-.335 Cap = Black</b> |      |      |       |           |               |
| 5101   | 9.9  | 4.37 | 1.63  | A         | 50            |
| 5151   | 13.1 | 4.37 | 2.25  | B         | 50            |
| 5101L  | 14.9 | 4.37 | 1.63  | C         | 25            |
| <b>3/8" All Grades - Wire Range = .360-.405 Cap = Orange</b> |      |      |       |           |               |
| 5102   | 11.9 | 5    | 1.63  | A         | 50            |
| 5152   | 13.8 | 5    | 2.25  | B         | 50            |
| 5152-6   | 13.5 | 5    | 2.875 | D         | 25            |
| 5102L  | 17.0 | 5    | 1.63  | C         | 25            |



- NOTES:
- ALL DIMENSIONS ARE REFERENCE AND IN INCHES.
  - MATERIALS: YOKE-ALUMINUM, BAIL-STAINLESS STEEL

CARTRIDGE ASSEMBLY MATERIAL:  
 TUBING: ALUMINUM ALLOY  
 JAWS: CHROMATE PLATED STEEL  
 PILOT CUP: PLATED STEEL  
 WASHER: PLATED STEEL



| DRAWING NUMBER:      |                |
|----------------------|----------------|
| <b>GD-STRANDVISE</b> |                |
| SHEET NAME:          | <b>Layout1</b> |
| OF 1                 |                |
| DRAWING DESCRIPTION: |                |
| UNIVERSAL STRANDVISE |                |
| DRAWN BY:            | JBB            |
| DESIGN DATE:         | 03-13-13       |