



Installation Instructions
Please Read Before Installing

seeTemp™ Wall Display
LRD-WST-F, LRD-WST-C
24–120 V ~ 50/60 Hz
Typical Power Consumption*: 1 W

English

Important Notes

Codes: Install in accordance with all local and national electrical codes.

Environment: Ambient operating temperature: 32 °F to 104 °F (0 °C to 40 °C), 0 to 90% humidity, non-condensing. Indoor use only.

Wallplates: Use only Lutron® wallplates with these devices. The mechanical design of the seeTemp™ Wall Display is NOT compatible with non-Lutron® wallplates. Non-Lutron® wallplates will NOT sit flush against the wall. Claro® and Satin Colors® wallplates are strongly recommended for best color match and clean aesthetic appearance. Do not paint controls, buttons, or wallplates.

Cleaning: To clean, wipe with a clean damp cloth. DO NOT use any chemical cleaning solutions.

Wallboxes: All seeTemp™ Wall Displays require a U.S. wallbox. 3.5 in (89 mm) deep recommended, 2.25 in (57 mm) deep minimum.

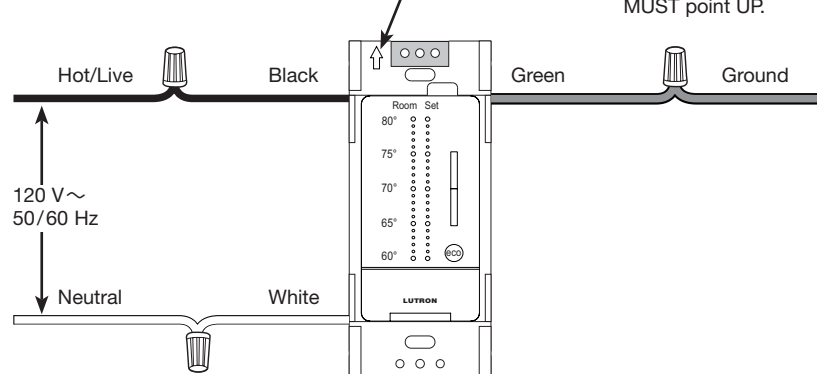
RF Device Placement: All seeTemp™ Wall Displays must be located within 30 ft (9 m) of an RF signal repeater.

seeTemp™ Wall Display Installation

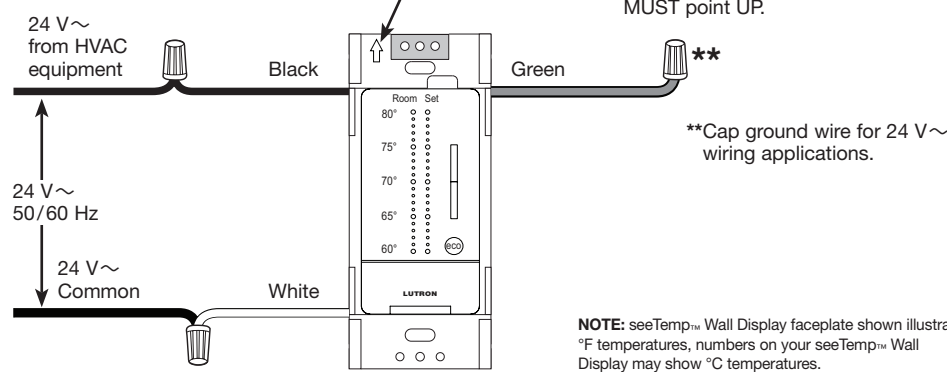
WARNING: Shock Hazard. To avoid the risk of electric shock, locate and remove fuse or lock circuit breaker in the OFF position before proceeding. Wiring with power ON could result in serious injury or death.

1. Turn power OFF at fusebox or circuit breaker.
2. Prepare wires. When making wire connections, follow the recommended strip lengths and combinations for the supplied wire connectors. **NOTE:** Wire connectors provided are suitable for copper wire only.
 - Strip insulation 3/8 in (10 mm) for 14 AWG (2.5 mm²).
 - Strip insulation 1/2 in (13 mm) for 18 AWG (0.75 mm²).
 - Use to join one 14 AWG (2.5 mm²) with one 18 AWG (0.75 mm²) wire.
3. Wire control.

120 V ~ Wiring

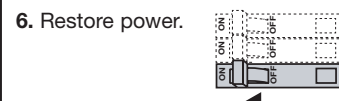


24 V ~ Wiring



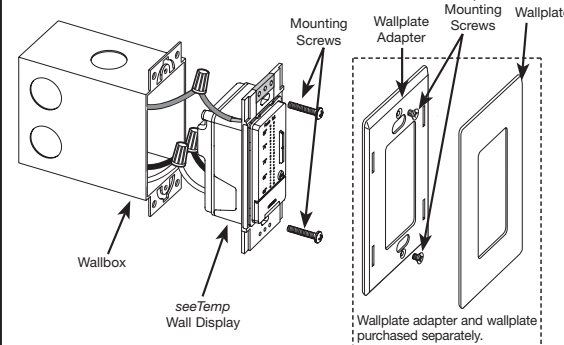
* Typical Power Consumption test conditions: all backlights on medium intensity, two LEDs on seeTemp™ Wall Display powered at 120 V ~
Technical Assistance | 24 hours a day, 7 days a week | www.lutron.com
 U.S.A./Canada: 1.800.523.9466 | Mexico: +1.888.235.2910 | Other Countries: +1.610.282.3800

4. Push all wires back into the wallbox and loosely fasten the control to the wallbox using the seeTemp™ Wall Display mounting screws provided. Do not pinch the wires. See **Mounting Diagram**.
5. Attach Lutron® Claro® or Satin Colors® wallplate adapter and wallplate (see **Mounting Diagram**).
 - a. Install the wallplate adapter onto the front of the seeTemp™ Wall Display.
 - b. Tighten mounting screws until wallplate adapter is flush to wall (do not over-tighten).
 - c. Snap wallplate onto wallplate adapter and verify that the color replacement kit is aligned properly.
 - d. If control(s) are misaligned, loosen mounting screws appropriately.

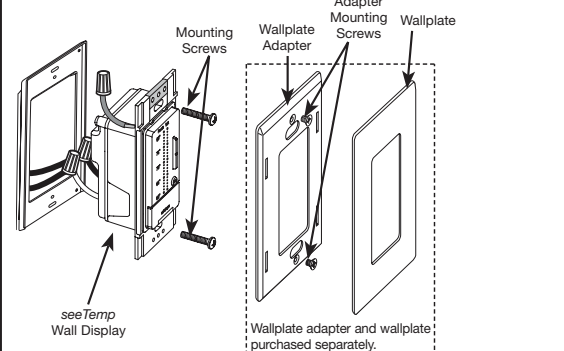


Mounting Diagram

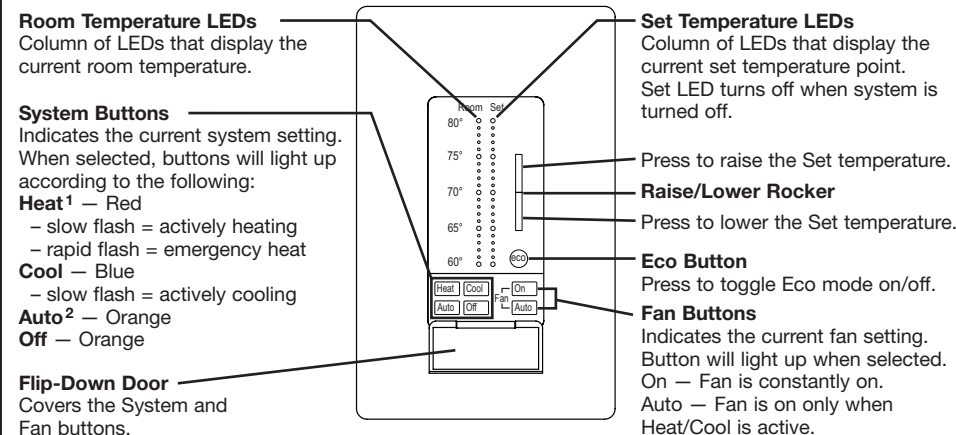
120 V ~ Wiring



24 V ~ Wiring



seeTemp™ Wall Display



- 1 **EMERGENCY HEAT:** Press and hold heat button for 5 seconds to enter Emergency Heat Mode (only if Emergency Heat is available).
- 2 **CAUTION:** To avoid possible compressor damage, do not run air conditioner if the outside temperature drops below 50 °F (10 °C).

Programming by a Lutron® Factory Trained Installer

For full functionality, the HVAC Controller must be programmed to a Repeater and PC software must be used by a Lutron® factory-trained installer. For questions on how to become a qualified installer, please contact your local Lutron® representative.

RadioRA® 2 Temporary Programming

Since the HVAC system may need to function before a Lutron® factory-trained installer is available for programming, temporary programming may be used to provide climate control. When using the temporary programming method, the HVAC controller (LR-HVAC) will only function when programmed to a system with a seeTemp™ Wall Display (LRD-WST).

To complete the temporary programming (steps below), the following are required: RadioRA® 2 Main Repeater (RR-MAIN-REP) within 30 ft (9 m) of the HVAC controller, seeTemp™ Wall Display(s), and Wireless Temperature sensor(s).

1. **Enter Add Mode:** Press and hold the “Add” button on Main Repeater for 3 seconds until green “Add” LED begins to rapid-flash (ten times per second) and repeater beeps. Wait 10 seconds.
2. **Add the devices to the Main Repeater:**
 - a. For the HVAC controller, press and hold the “Link” button for 3 seconds until all LEDs flash (once per second).
 - b. For the seeTemp™ Wall Display, press and hold the “Eco” button for 3 seconds until the top, middle and bottom LEDs flash (once per second).
 - c. For the Wireless Temperature Sensor, press and hold the “Link” button for 6 seconds until the LED flashes (once per second).
3. **Exit Add Mode:** Press and hold the “Add” button on any Repeater for 3 seconds until “Add” LED begins to rapid-flash. After LED turns off (can take up to 30–60 seconds), system has exited Add Mode.
4. **Enter Link Mode on the HVAC Controller:** Press and hold the “Link” button on HVAC Controller for 6 seconds until green “Link” LED begins to rapid-flash (ten times per second). Wait 10 seconds.
5. **Link the devices to the HVAC Controller:**
 - a. For the seeTemp™ Wall Display, press and hold the “Eco” button for 6 seconds until the top, middle and bottom LEDs rapid-flash.
 - b. For the Wireless Temperature Sensor, press and hold the “Link” button for 6 seconds until the LED flashes (once per second).
6. **Exit Link Mode on the HVAC Controller:** Press and hold the “Link” button on the HVAC Controller for 6 seconds until “Link” LED begins to rapid-flash. After LED turns off (can take from 15 to 30 seconds), HVAC Controller has exited Link Mode.
7. **Test the system:**
 - a. Set the seeTemp™ Wall Display to Heat or Cool mode.
 - b. Tap the “Test” button on the Wireless Temperature Sensor. The Temperature will update on when the buttons on it are pressed.
 - c. As the temperature changes, the HVAC controller will control the HVAC equipment when required.

Returning a seeTemp™ Wall Display to Factory Settings

Note: Returning the seeTemp™ Wall Display to factory settings will erase all system programming from the seeTemp™ Wall Display and will require the seeTemp™ Wall Display to be reprogrammed into a system.

1. Triple tap and hold the Eco button on a seeTemp™ Wall Display Controller. DO NOT release the button after the third tap.
2. Keep the button pressed on the third tap until the LED(s) start to flash slowly (approximately 3 seconds).
3. Release the button and immediately triple tap it again. The LEDs will flash quickly. When the LEDs stop flashing, the HVAC Controller has been returned to factory settings.

Troubleshooting Guide

Symptom	Probable Cause and Action
Temperature feels too warm/cool.	HVAC equipment is malfunctioning or doesn't have enough power and can't reach setpoint. <ul style="list-style-type: none"> • Contact your HVAC installer.
	Sensor is not placed near HVAC returns. <ul style="list-style-type: none"> • Move sensor.
	Battery is dead. <ul style="list-style-type: none"> • Replace battery.
HVAC controller not responding to temperature changes or seeTemp™ Wall Display.	The HVAC controller is not assigned to a Wireless Temperature Sensor or seeTemp™ Wall Display. <ul style="list-style-type: none"> • Follow the steps in Programming by a Lutron® Factory Trained Installer.
	There is no power to the device. <ul style="list-style-type: none"> • Ensure that the device is powered.
	Temperature may take up to 20 minutes to change in the space.
	HVAC equipment is malfunctioning or doesn't have enough power and can't reach setpoint. <ul style="list-style-type: none"> • Contact your HVAC installer.
	The Wired Return Air Duct Sensor is not installed. <ul style="list-style-type: none"> • Install the Wired Return Air Duct Sensor.
Sensor LED doesn't turn on when link or test buttons are pressed.	Battery is dead. <ul style="list-style-type: none"> • Replace battery.
LEDs on a seeTemp™ Wall Display don't turn on when the buttons on it are pressed.	Power not present at seeTemp™ Wall Display. <ul style="list-style-type: none"> • Circuit breaker OFF. Turn ON breaker. • Ensure that the seeTemp™ Wall Display is properly wired.
6 LEDs on the seeTemp™ Wall Display flash when any button is pressed.	The seeTemp™ Wall Display is in the Factory Settings mode and has not been configured to work in a system. <ul style="list-style-type: none"> • Follow the steps in Programming by a Lutron® Factory Trained Installer.
Room Temperature LED flashes rapidly.	Low battery on Wireless Temperature Sensor. <ul style="list-style-type: none"> • Replace battery in Wireless Temperature Sensor.
Set temperature LED flashes rapidly.	The seeTemp™ Wall Display is communicating with the Wired Return Air Duct Sensor and cannot communicate with Wireless Temperature Sensor. <ul style="list-style-type: none"> • Move Wireless Temperature Sensor closer to a repeater.
	The seeTemp™ Wall Display cannot communicate with one or more of the Wireless Temperature Sensors or the Wired Return Air Duct Sensor is not connected. <ul style="list-style-type: none"> • Move Wireless Temperature Sensor closer to a repeater. • Make sure that the Wired Return Air Duct Sensor is connected.
Room LED scrolls up and down.	No Wireless Temperature Sensor and no Wired Return Air Duct Sensor are present. <ul style="list-style-type: none"> • Replace battery in Wireless Temperature Sensor. • Add a Wireless Temperature Sensor. • Add a Wired Return Air Duct Sensor.
Room and Set LEDs scroll up and down when button is pressed.	Communication error. <ul style="list-style-type: none"> • Move a repeater closer to a seeTemp™ Wall Display.
Room or Set temperature top LED flashes slowly.	The room or set temperature is above maximum displayed temperature.
Room or Set temperature bottom LED flashes slowly.	The room or set temperature is below minimum displayed temperature.
LEDs on the HVAC Controller do not turn on when it is powered up.	Power not present. <ul style="list-style-type: none"> • Circuit breaker is OFF or tripped. Reset or turn on circuit breaker. • Ensure that the HVAC Controller is properly wired.
HVAC Controller's "Wireless Sensor Status" Active LED is flashing.	At least one Wireless Temperature Sensor is not communicating.

Warranty: For warranty information, please see the Warranty enclosed with the product, or visit www.lutron.com/resiinfo

