

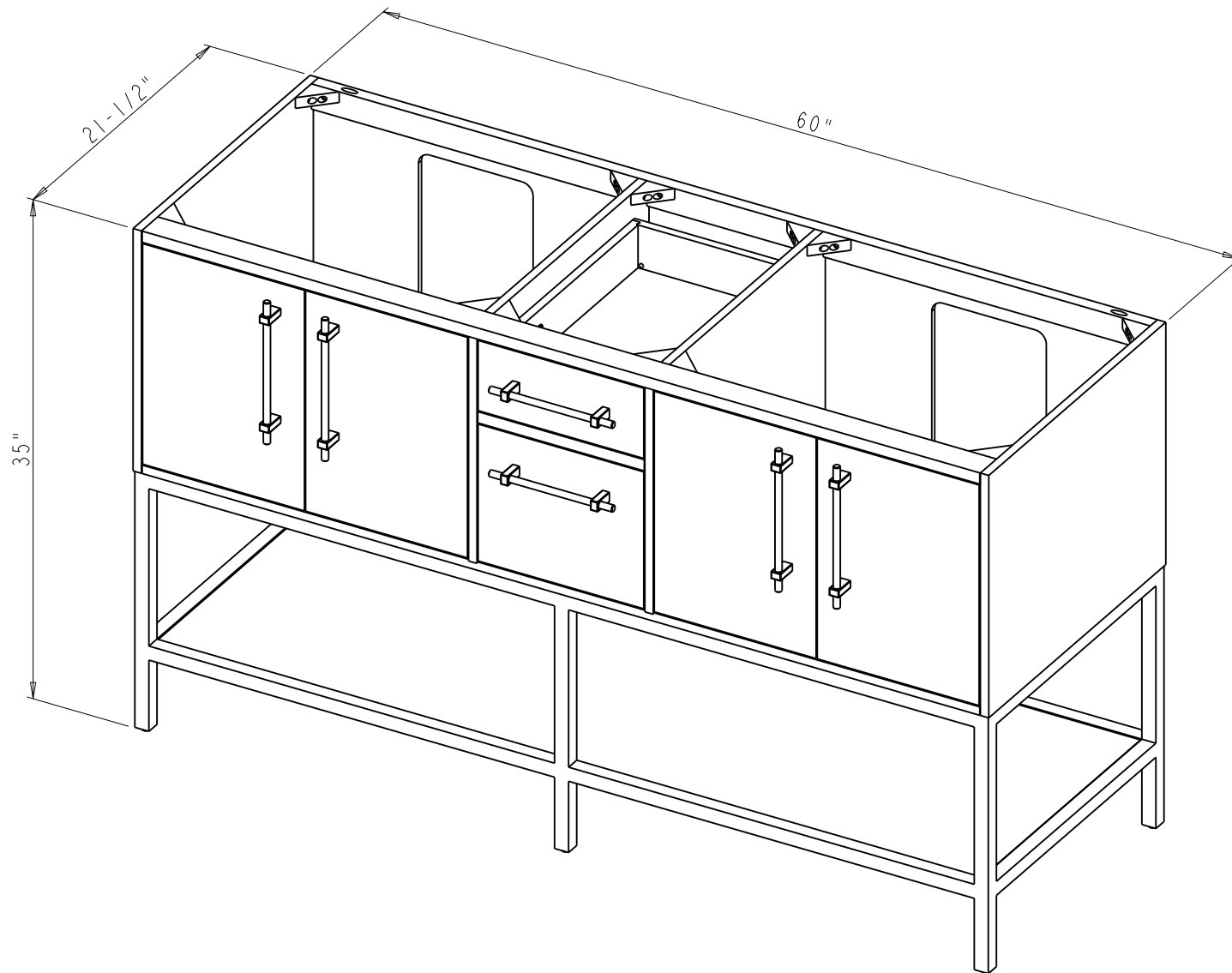
Metal leg:
Finished: Matte black powder coated


Specification:

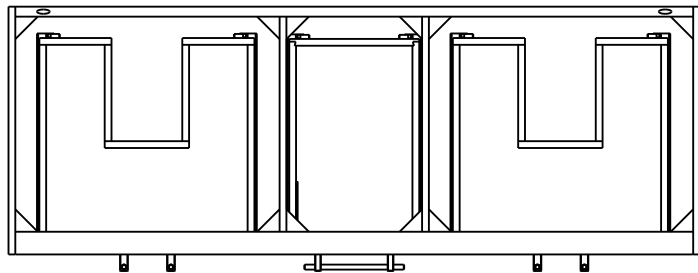
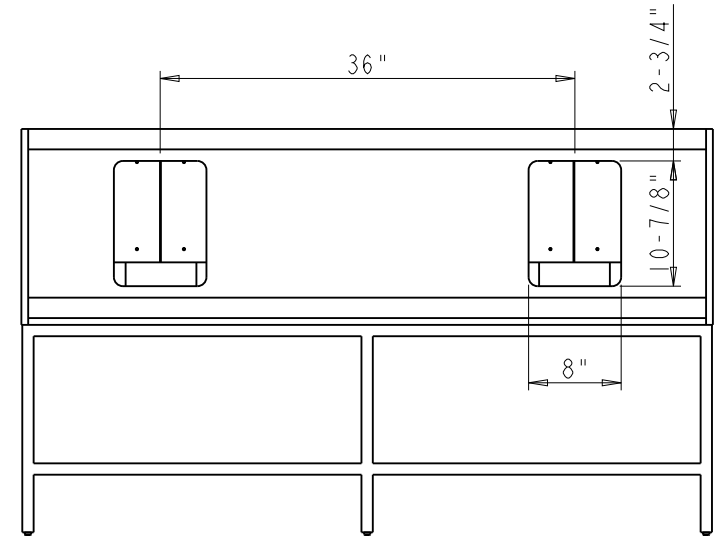
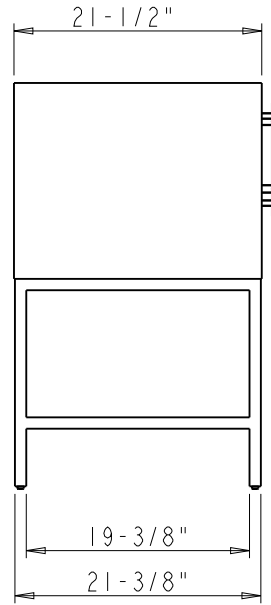
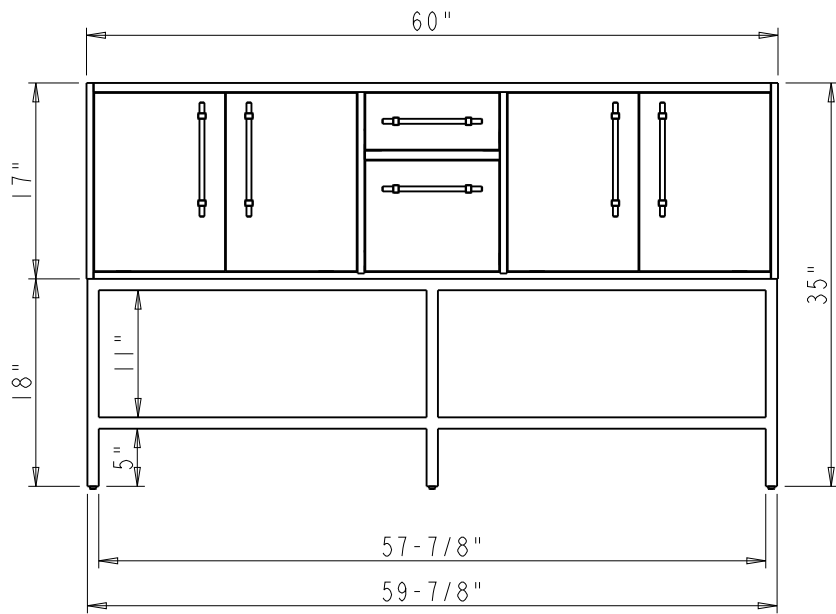
1. Finish: See Table
2. Hardware: See Table
3. Hinge: 700.0537.25 + 600.1234.05 (8 pcs)
4. Slide: USE58-300-18 + USCLIP2ND-4W (4 set)
5. leg levelers (4 pcs)
6. The tolerance is +/- 1/8"


Item number	Finish	Deco Hardware			
		Item number	Qty	Item number	Qty
VN2PAS-60-DW-NT	Dark Walnut	478-192MBBG	4	478-160MBBG	2
VN2PAS-60-GR-NT	Grey	478-192MB	4	478-160MB	2
VN2PAS-60-NO-NT	Natural Oak	478-192MB	4	478-160MB	2
VN2PAS-60-WG-NT	Weathered Grey	478-192MB	4	478-160MB	2
VN2PAS-60-WH-NT	White	478-192MB	4	478-160MB	2

	ITEM:	VN2PAS-60		MATERIAL:	
	FINISH:			WEIGHT:	
PROPRIETARY AND CONFIDENTIAL THE INFORMATION CONTAINED IN THIS DRAWING IS THE SOLE PROPERTY OF HARDWARE RESOURCES INC. ANY REPRODUCTION IN PART OR AS A WHOLE WITHOUT THE WRITTEN PERMISSION OF HARDWARE RESOURCES INC. IS PROHIBITED.	TOLERANCE UNLESS OTHERWISE SPECIFIED: X ±0.20 X.X ±0.10 X.XX ±0.05 ANGULAR: ±0.5°		UNITS:	DRAWN BY:	DATE:
	DO NOT SCALE DRAWING		APPROVED BY:	Hugo.cai	Dec-19-22
			SHEET:	RELEASE LEVEL:	REVISION:



 <p>PROPRIETARY AND CONFIDENTIAL</p> <p>THE INFORMATION CONTAINED IN THIS DRAWING IS THE SOLE PROPERTY OF HARDWARE RESOURCES INC. ANY REPRODUCTION IN PART OR AS A WHOLE WITHOUT THE WRITTEN PERMISSION OF HARDWARE RESOURCES INC. IS PROHIBITED.</p>	ITEM#: VN2PAS-60		MATERIAL:		
	FINISH:		WEIGHT:		
	TOLERANCE UNLESS OTHERWISE SPECIFIED: X ±0.20 X.X ±0.10 X.XX ±0.05 ANGULAR: ±0.5°		UNITS:	DRAWN BY: <i>Hugo.cai</i>	DATE: Apr-20-22
	DO NOT SCALE DRAWING		SIZE:	APPROVED BY:	DATE:
		SHEET:	RELEASE LEVEL:	REVISION:	



 <p>PROPRIETARY AND CONFIDENTIAL</p> <p>THE INFORMATION CONTAINED IN THIS DRAWING IS THE SOLE PROPERTY OF HARDWARE RESOURCES INC. ANY REPRODUCTION IN PART OR AS A WHOLE WITHOUT THE WRITTEN PERMISSION OF HARDWARE RESOURCES INC. IS PROHIBITED.</p> <p>DO NOT SCALE DRAWING</p>	ITEM#: VN2PAS-60		MATERIAL:		
	FINISH:		WEIGHT:		
	TOLERANCE UNLESS OTHERWISE SPECIFIED: X ±0.20 X.X ±0.10 X.XX ±0.05 ANGULAR: ±0.5°		UNITS:	DRAWN BY: <i>Hugo.cai</i>	DATE: Dec-19-22
	SHEET:		APPROVED BY:	DATE:	REVISION: